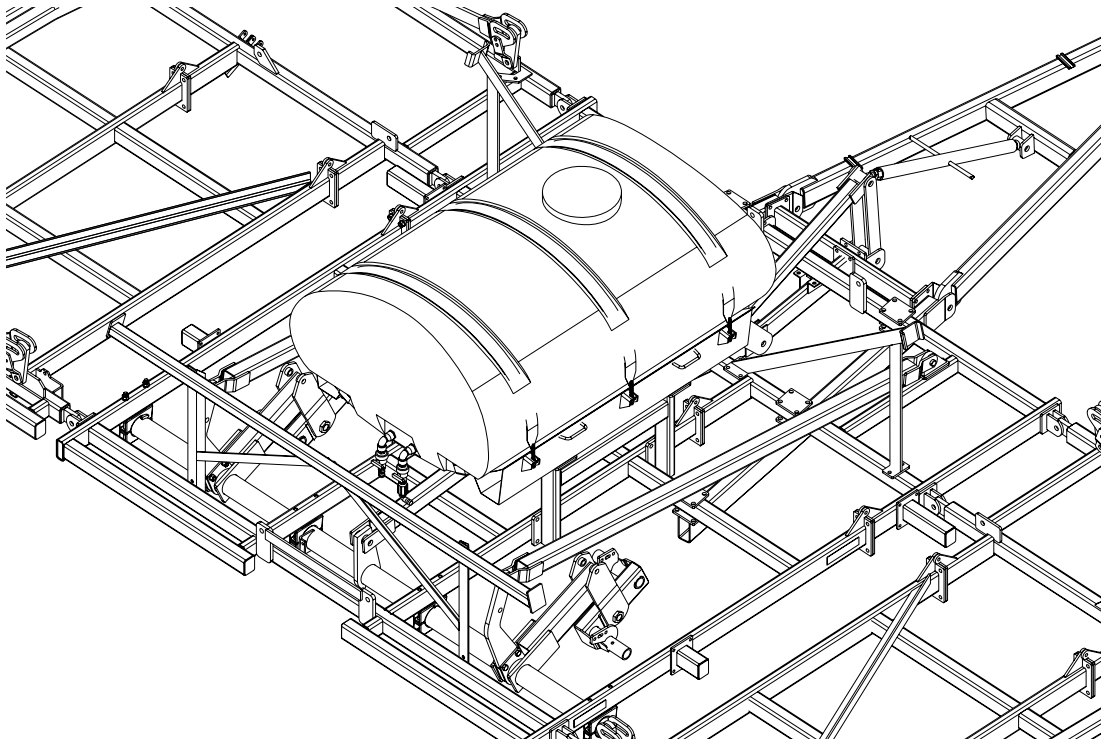




# ASSEMBLY/OPERATORS MANUAL



700088

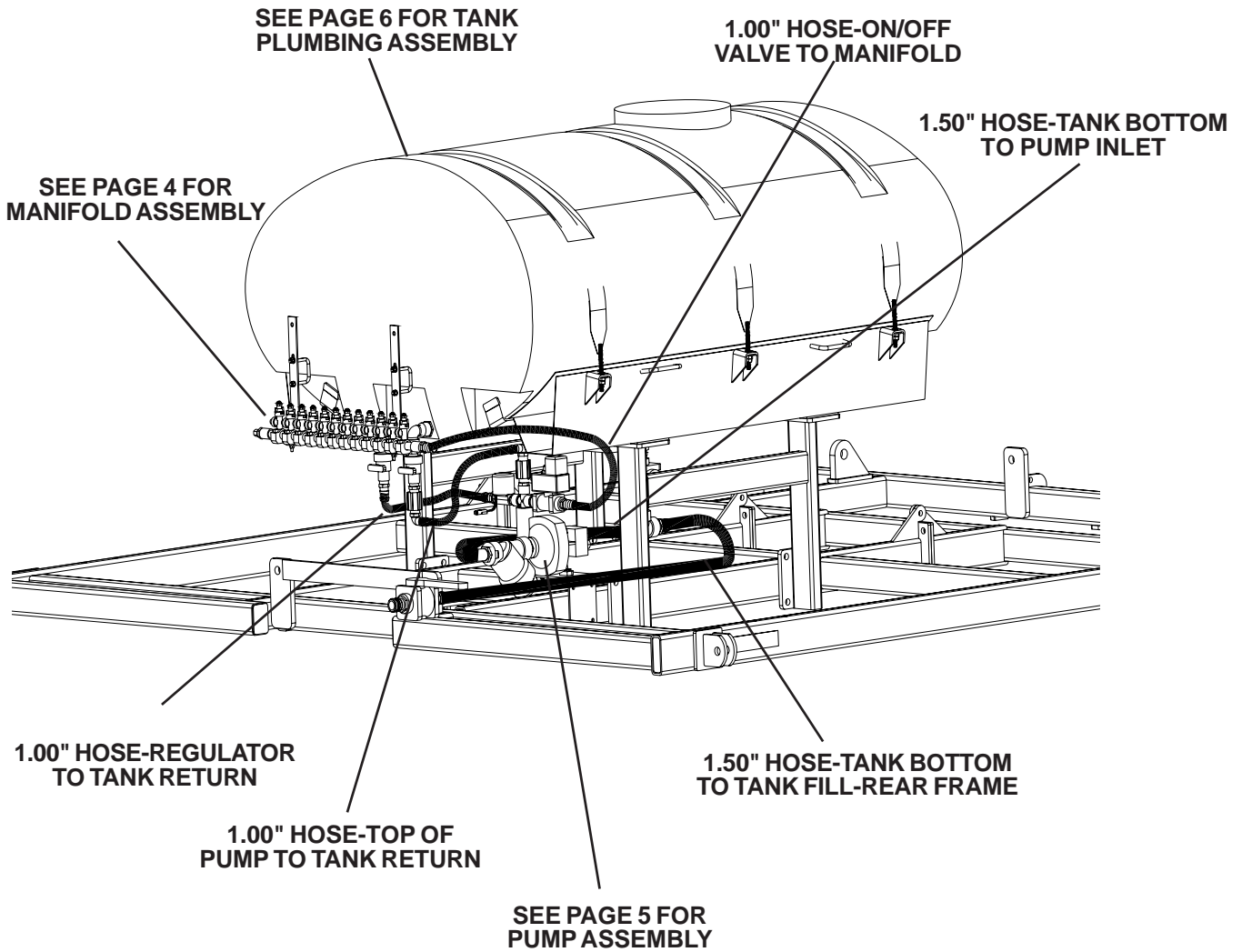
## XL<sup>2</sup> 500 GALLON TANK ASSEMBLY

 **WIL-RICH**

PO Box 1030  
Wahpeton, ND 58074  
PH (701) 642-2621  
Fax (701) 642-3372  
[WWW.WIL-RICH.COM](http://WWW.WIL-RICH.COM)

# HOSE PLUMBING

FRAME MEMBERS  
REMOVED FOR CLARITY



VIEW FROM REAR OF  
MACHINE FOR CLARITY

PAGE 3 TANK MOUNT

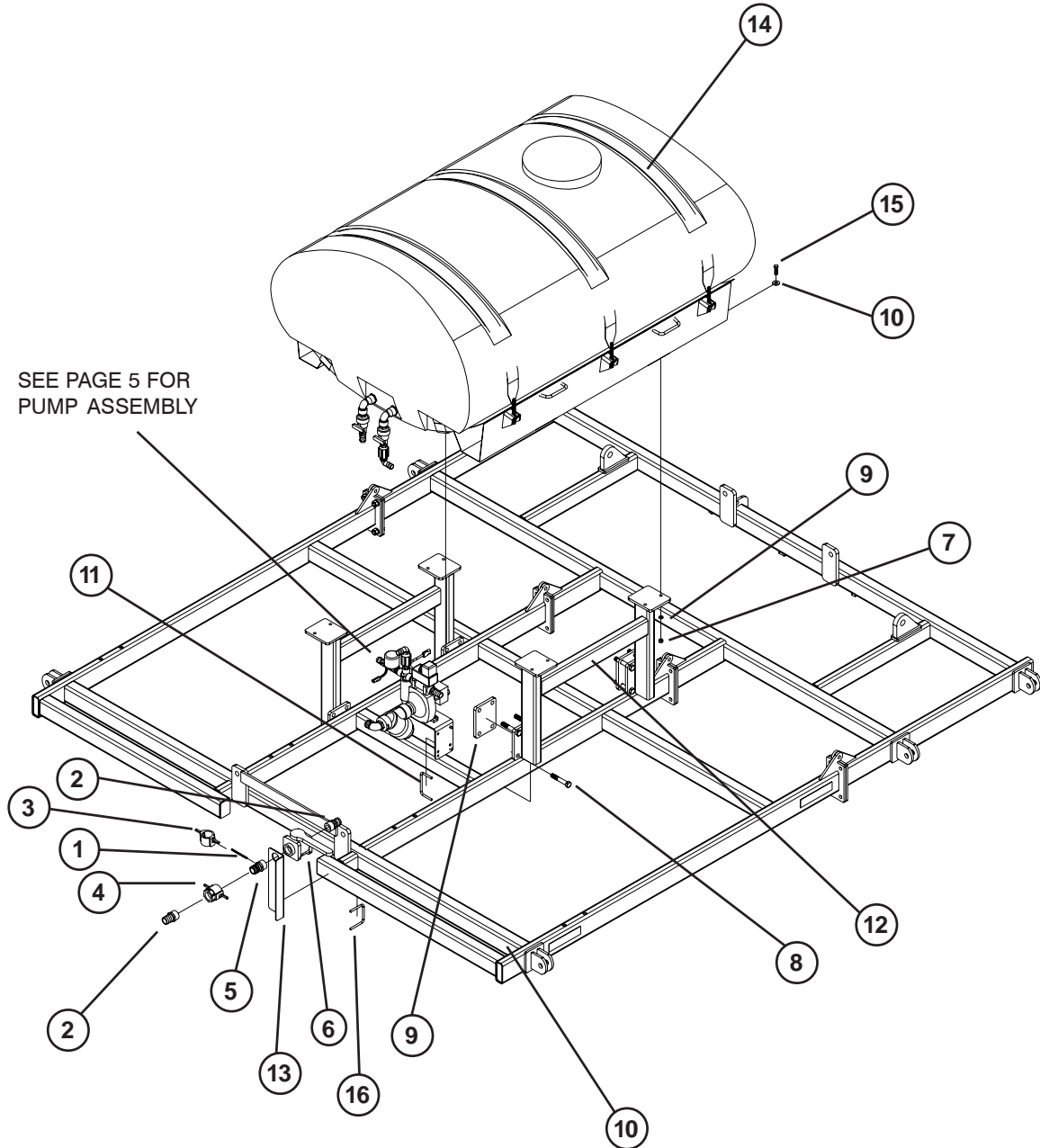
PAGE 7 HYDRAULIC HOSE PLACEMENT

PAGE 8 GAUGE ISOLATER

PAGE 9 TUBE HOLDER ILLUSTRATION

PAGE 10 APPLICATION RATE CHART

# TANK MOUNTING

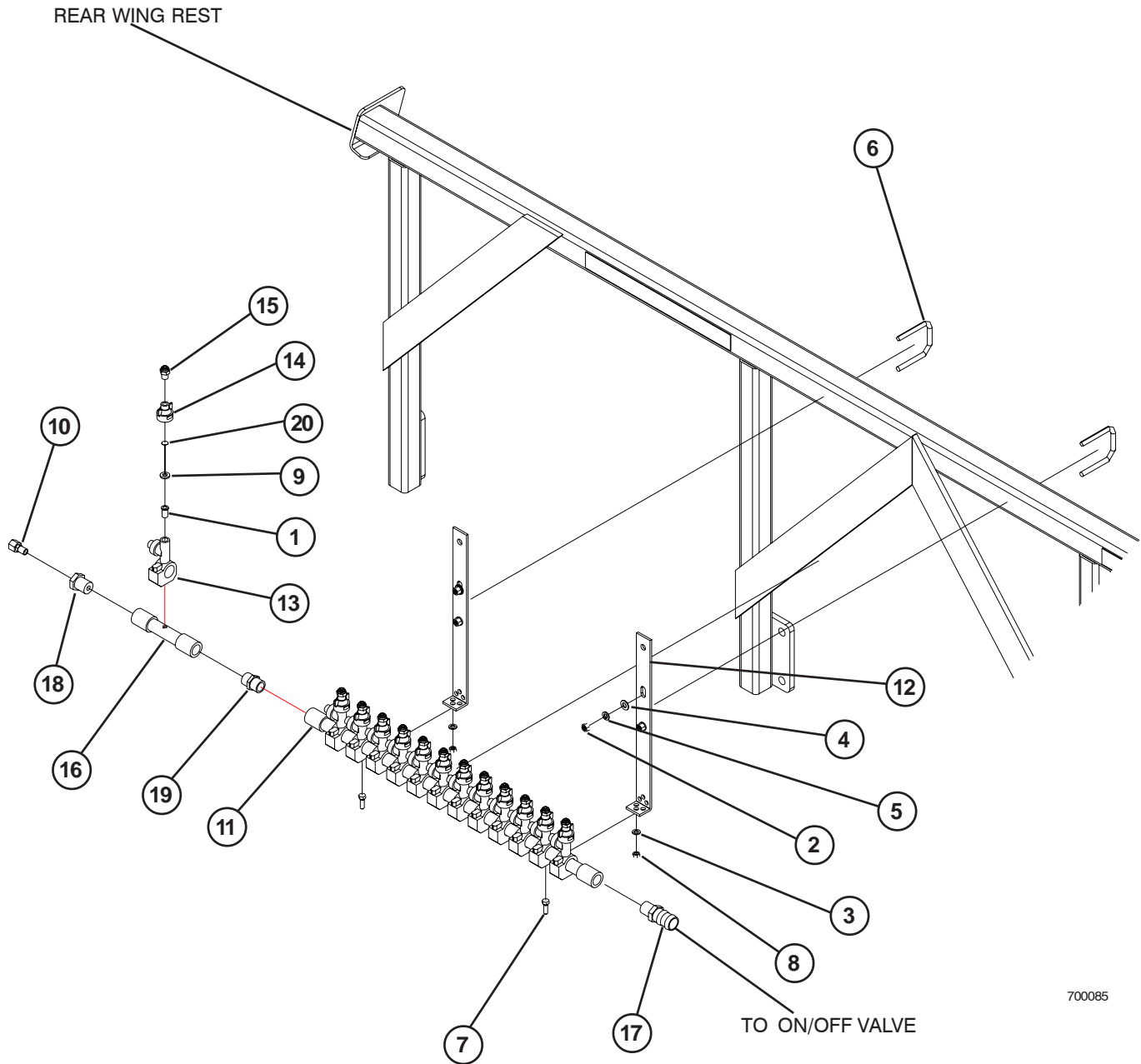


700473

ITEM	PART NO.	DESCRIPTION
1	44522	#3 CHAIN ASSEMBLY W/S-HOOKS
2	46175	1-1/2"MPT x 1-1/2"HB ADAPTER
3	46606	CAM LOCK DUST CAP 1-1/2"
4	46607	1-1/2"F x 1-1/2"FPT COUPLER
5	46609	1-1/2"M x 1-1/2"MPT ADAPTER
6	46614	1-1/2" BALL VALVE
7	88104	NUT HEX 1/2"NC
8	88421	3/4NCx4-1/2 GR5 HEX BOLT
9	88303	1/2" LOCK WASHER

ITEM	PART NO.	DESCRIPTION
10	88347	1/2" FLAT WASHER
11	89280	3/8" x 5" x 3" U-BOLT
12	243649	TANK MOUNT WELD
13	243667	MOUNTING PLATE 1-1/2" BALL VALVE
14	239850	500 GALLON TANK KIT
15	88517	1/2"NCx1-3/4" GR5 HEX BOLT
16	88514	3/8"x4"x3-3/4" U-BOLT

# MANIFOLD MOUNT

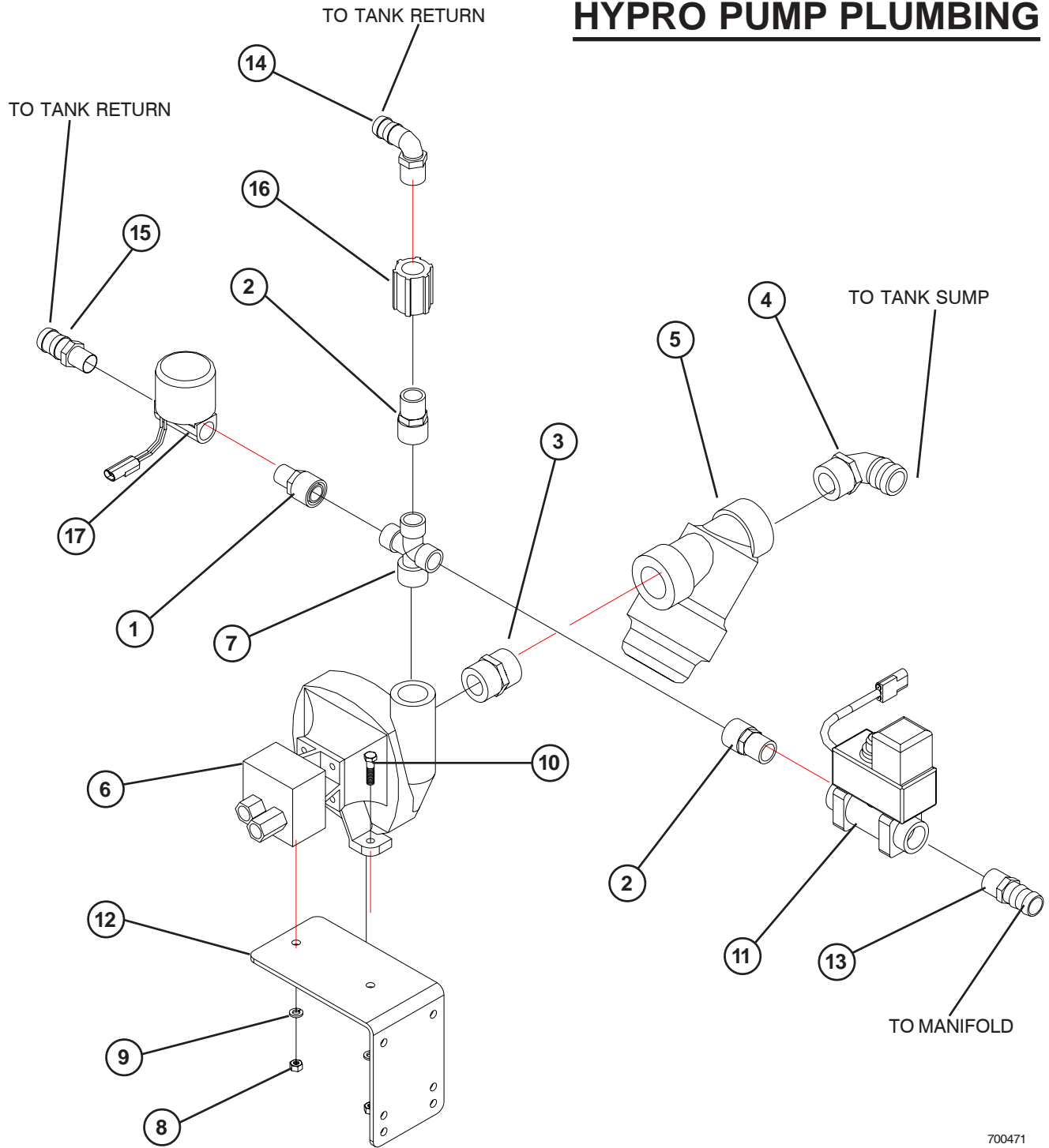


700085

ITEM	PART NO.	DESCRIPTION
1	61192	TEE JET 50MESH POLY STRAINER
2	88103	NUT HEX 3/8"NC
3	88278	5/16" FLAT WASHER
4	88282	3/8" FLAT WASHER
5	88362	3/8" LOCK WASHER
6	88386	3/8" x 2-1/2" x 3-1/2" U-BOLT
7	88478	5/16"NCx1" GR5 HEX BOLT
8	88832	5/16" TOP LOCK NUT
9	B112261	RUBBER GASKET
10		1/4" HOSE COUPLER

ITEM	PART NO.	DESCRIPTION
11	239825	12 HOLE MANIFOLD
12	239826	STRAP-MANIFOLD MOUNT
13	239827	NOZZLE BODY-LIQUID FERT
14	239828	NOZZLE BODY CAP
15	239829	NOZZLE HS CONN 1/4"MPTx1/4"OD TUBE
16	239836	MANIFOLD EXT 6"-ONE NOZZLE
17	239839	3/4" MPT x 1" HB
18	239840	3/4"MPT x 1/4"FPT RDCR BSHNG
19	239842	3/4" SCH80 NIPPLE
20	239844	ORIFICE PLATE SS 4916-35
	239845	ORIFICE PLATE SS 4916-49
	239846	ORIFICE PLATE SS 4916-70
	239847	ORIFICE PLATE SS 4916-98
	239848	ORIFICE PLATE SS BLANK

# HYPRO PUMP PLUMBING

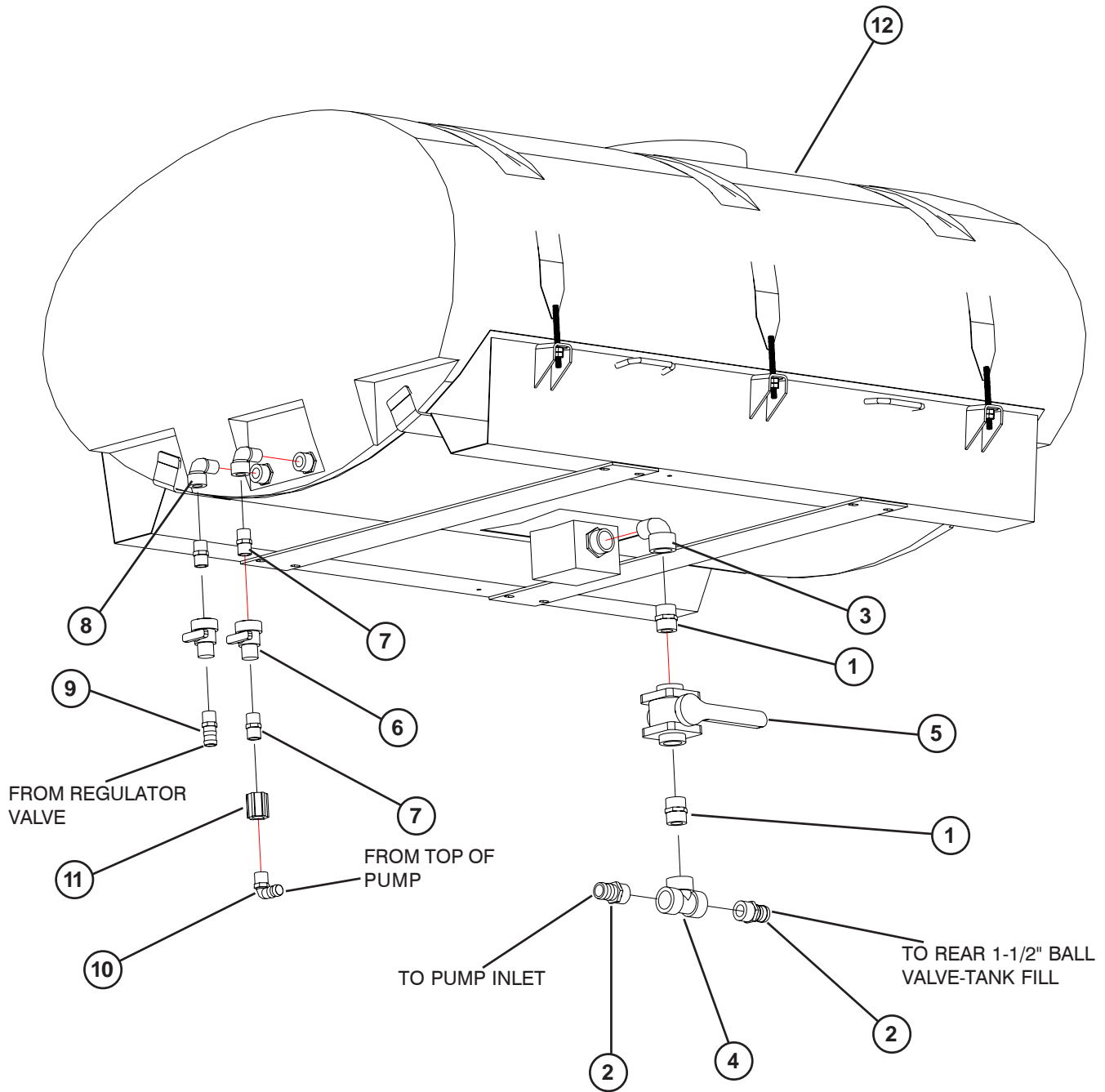


700471

ITEM	PART NO.	DESCRIPTION
1	44494	1" NUT x 3/4" MPT ADAPTER
2	44507	1" NUT x 1" MPT ADAPTER
3	45903	1-1/2" MPT NIPPLE
4	46243	1-1/2" MPT x 1-1/2" HB ELBOW
5	46358	LINE STRAINER 1-1/2" 50 MESH
6	47636	HYPRO PUMP #9303C-HM4
7	47872	4WAY CROSS 1-1/4"MPTx1"MSPT(3)
8	88103	NUT HEX 3/8"NC

ITEM	PART NO.	DESCRIPTION
9	88362	3/8" LOCK WASHER
10	88553	3/8"NCx1-1/2" GR5 HEX BOLT
11	B112992	1" BALL VALVE-SHUTOFF 12VDC
12	239824	PLATE-PUMP MOUNT
13	239837	1" MPT x 1" HB
14	239838	1" MPT x 1" HB ELBOW
15	239839	3/4" MPT x 1" HB
16	239841	1" CLOSED COUPLER
17	240726	PRESSURE REGULATOR VALVE

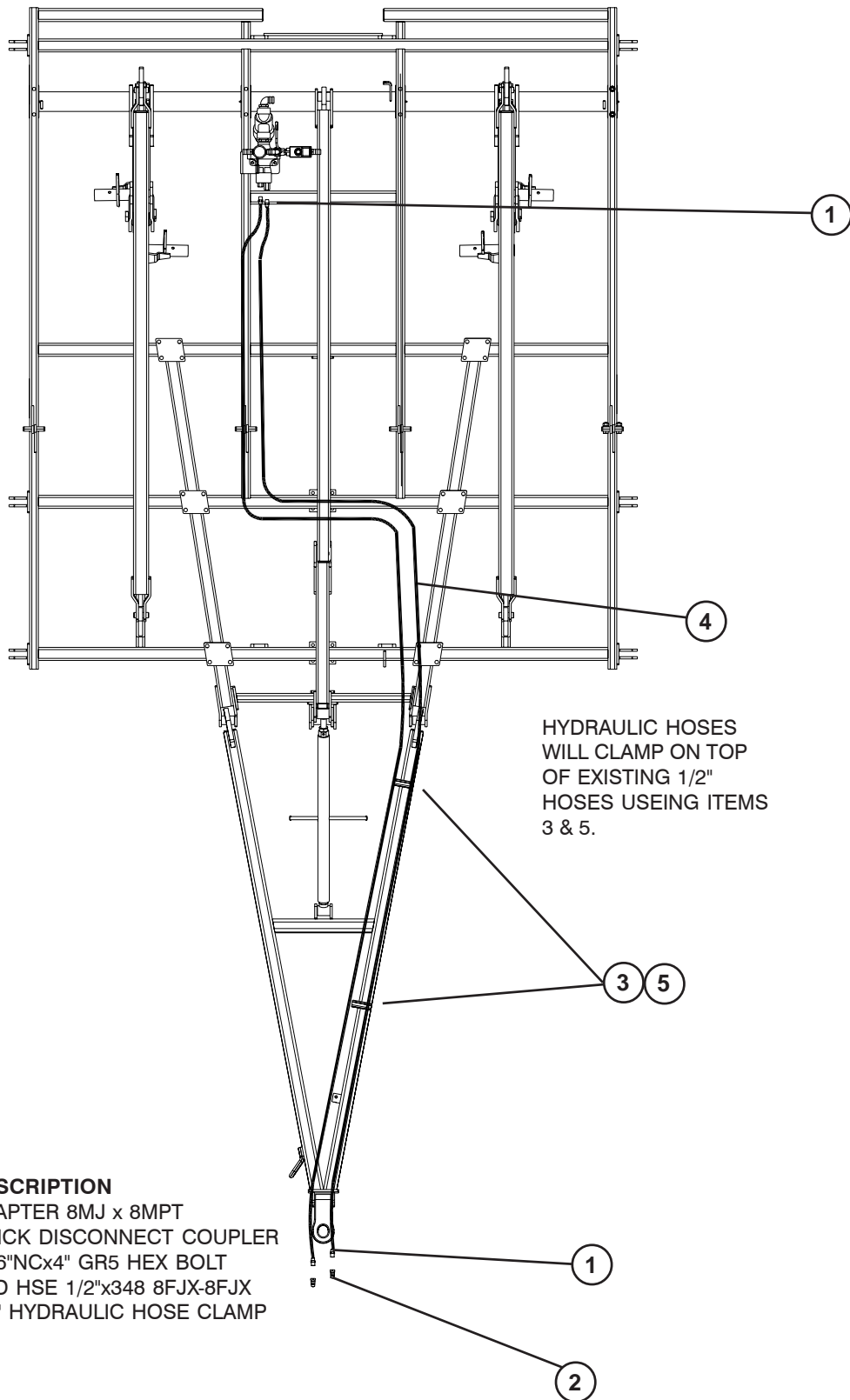
# 500 GALLON TANK PLUMBING



ITEM	PART NO.	DESCRIPTION
1	45903	1-1/2" MPT NIPPLE
2	46175	1-1/2" MPT x 1-1/2" HB ADAPTER
3	46254	1-1/2" FPT x 1-1/2" MPT ST ELBOW
4	46258	1-1/2" FPT TEE
5	46614	1-1/2" BALL VALVE
6	47906	1" BALL VALVE
7	B112130	1" CLOSED NIPPLE
8	220057	1" NPT STREET ELBOW
9	239837	1" MPT x 1" HB
10	239838	1" MPT x 1" HB ELBOW
11	239841	1" CLOSED COUPLER FPT
12	239850	500 GALLON TANK KIT

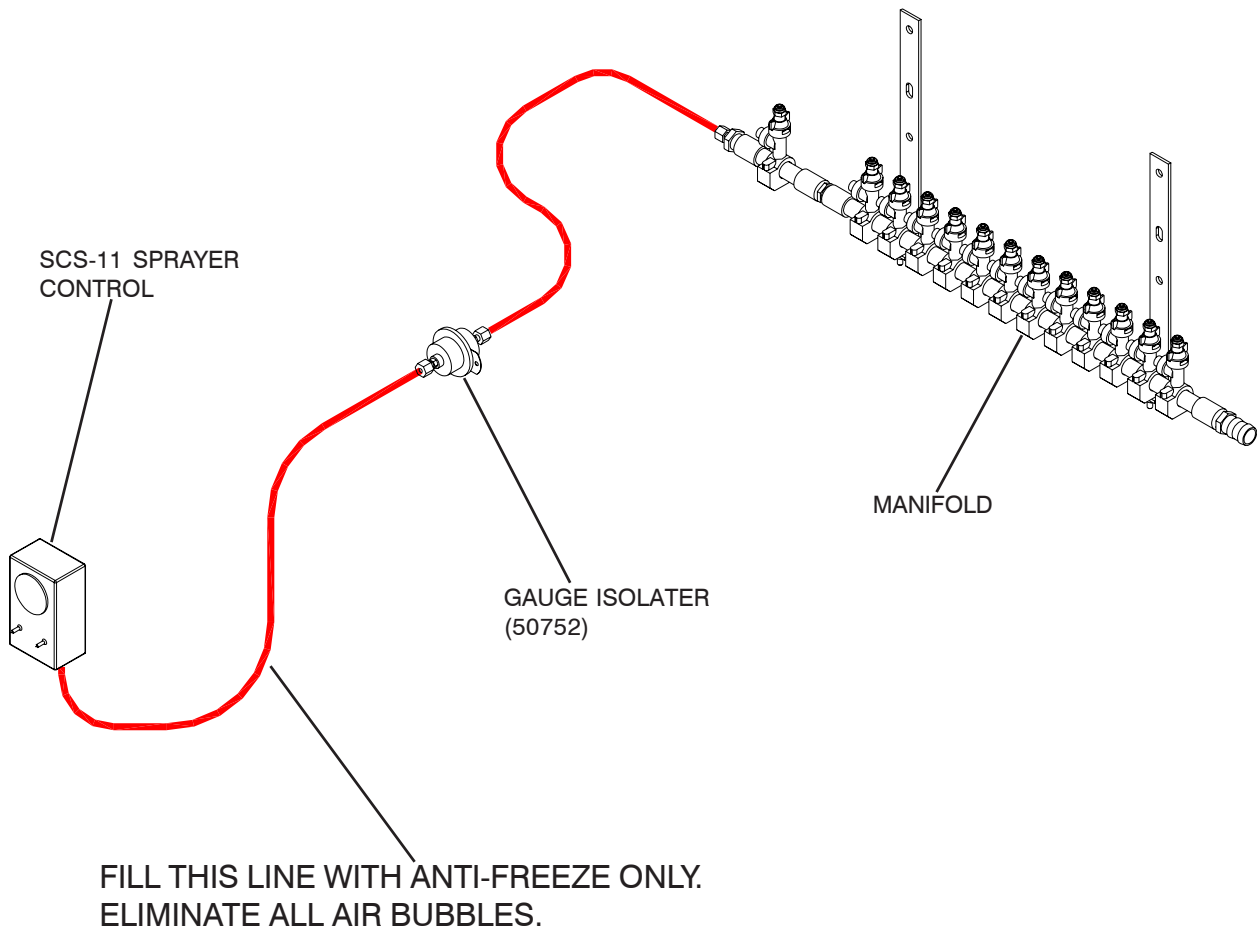
700089

# HYDRAULICS-HYPRO PUMP



ITEM	PART NO.	DESCRIPTION
1	13234	ADAPTER 8MJ x 8MPT
2	60640	QUICK DISCONNECT COUPLER
3	88811	5/16"NCx4" GR5 HEX BOLT
4	209032	HYD HSE 1/2"x348 8FJX-8FJX
5	238400	1/2" HYDRAULIC HOSE CLAMP

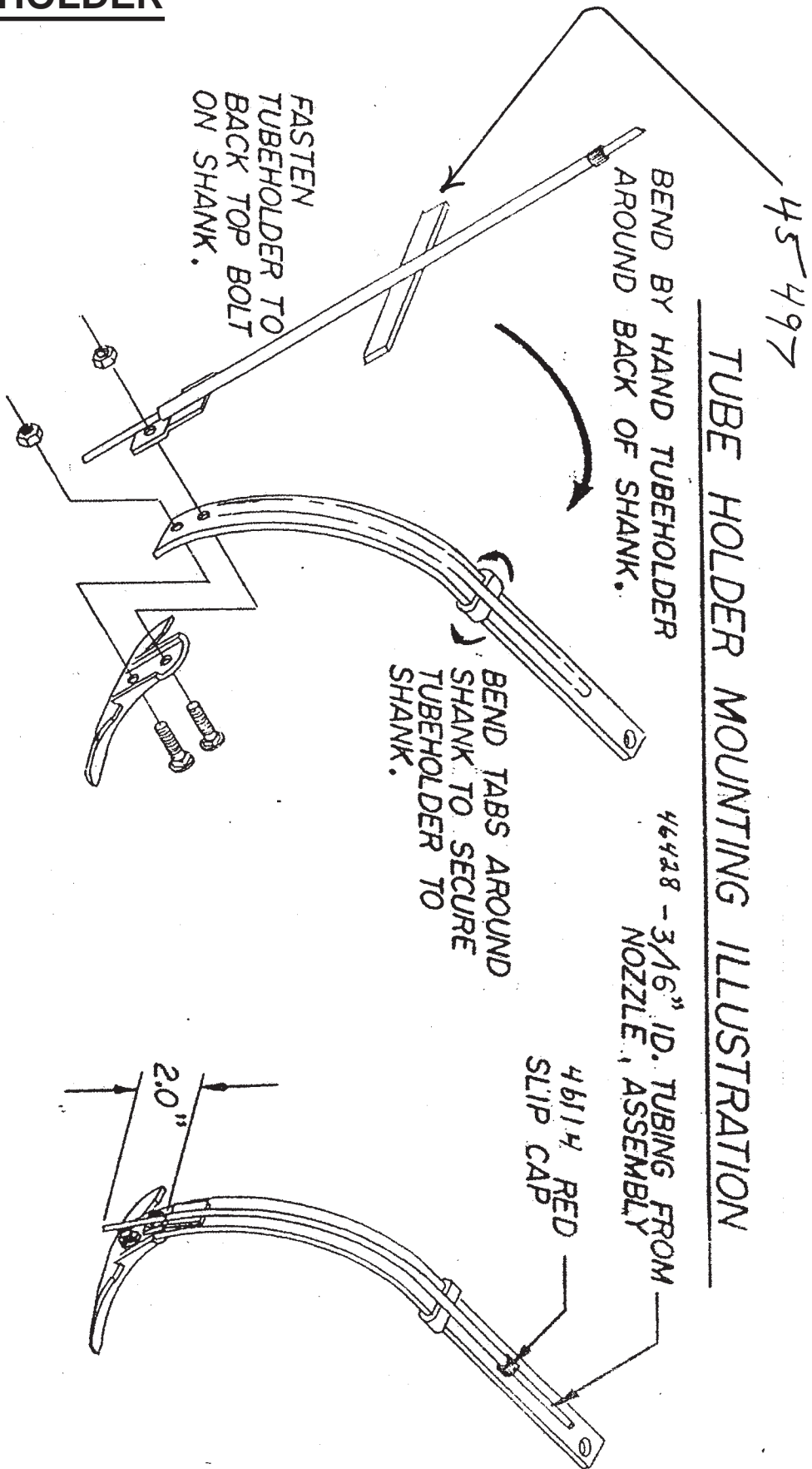
700475



MOUNT THE SCS-11 SPRAYER CONTROL IN THE TRACTOR CAB. MOUNT THE GAUGE ISOLATER ON THE REAR OF THE TRACTOR (3PT AREA). WHEN DETACHING IMPLEMENT GAUGE ISOLATER WILL STAY WITH TRACTOR.



# TUBE HOLDER



# RATE CHART

CHART FOR 28% LIQUID NITROGEN.  
APPLICATOR: XL<sup>2</sup> ON 7" SPACING

Orifice plate number	PSI	LPM/ NOZZLE	LITERS PER HECTARE @ KM/H				
			4.83	6.44	8.05	9.66	12.88
4916-35	5	0.1971	130	96.93	78.02	63.83	49.65
4916-35	10	0.2767	184.4	137.1	111.1	92.2	68.56
4916-35	20	0.3942	260.1	193.9	156	130	96.93
4916-35	30	0.4813	316.8	238.8	191.5	158.4	118.2
4916-49	5	0.3942	243.5	182	146.6	122.9	92.2
4916-49	10	0.5571	345.2	257.7	208	172.6	130
4916-49	20	0.7883	496.5	366.4	293.1	243.5	182
4916-49	30	0.9665	591	449.2	359.3	297.9	224.6
4916-70	5	0.8186	496.5	380.6	302.6	253	189.1
4916-70	10	1.1597	709.2	543.7	430.3	357	269.5
4916-70	20	1.6373	1017	756.5	614.7	496.5	380.6
4916-70	30	2.0087	1229	922	732.9	614.7	465.7
4916-98	5	1.6752	1040	780.2	614.7	520.1	387.7
4916-98	10	2.3688	1466	1087	874.7	732.9	543.7
4916-98	20	3.3466	2057	1560	1229	1040	780.2
4916-98	30	4.0932	2530	1891	1513	1277	945.6

**NOTE: ALWAYS INSERT ORIFICE PLATE  
WITH SIDE MARKED WITH NUMBER FACING  
THE OUTLET OF THE NOZZLE BODY**