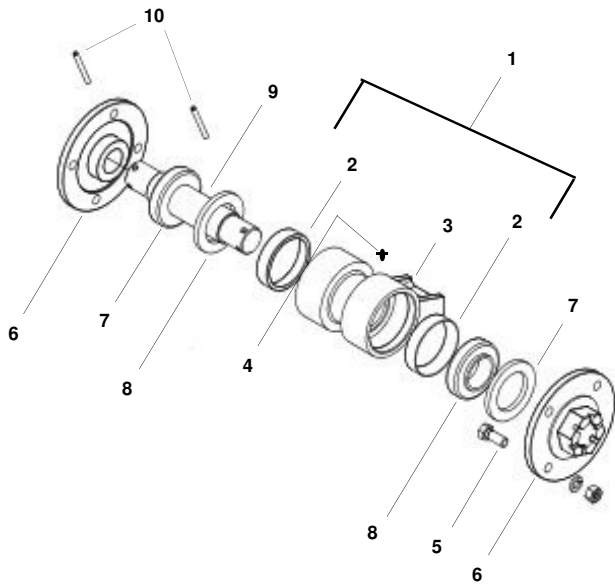


**VTA (First Hub Assembly)**

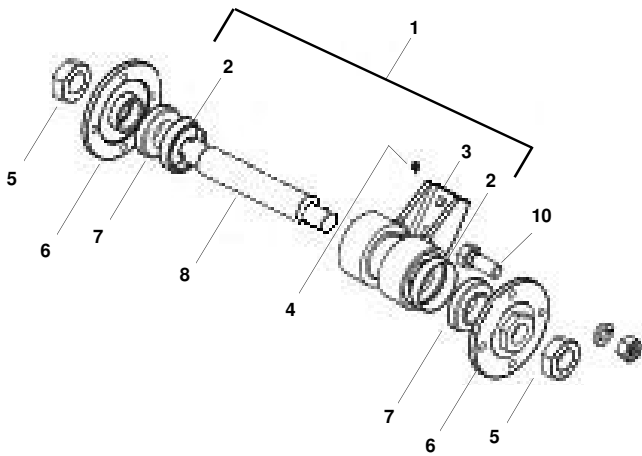
**YEAR Spring 2005**



ITEM	ORDER NUMBER	DESCRIPTION	YEAR	STATUS
1	235815	Hub with Cups – Front	2005	
1	239027	Hub with Cups – Rear (Shown)	2005	NA
2	12104	Cups (3.265 OD)	2005	
3	234008	Hub – Front	2005	NA
3	238621	Hub – Rear (Shown)	2005	NA
4	P88263	Grease Fitting	2005	
5	P88554	Bolt 1/2 x 1-1/4 NC 5Z	2005	
	P88303	Lock Washer 1/2	2005	
	P88104	Nut 1/2 Hex NC	2005	
6	234077	Hub, Disk Blade	2005	NA
7	P26120	Seal (CR 22563)	2005	NA
8	239032	Bearing, Cone 1-3/4 ID (Peer)	2005	NA
9	234056	Shaft	2005	NA
10	P88767	Pin Roll 1/4 DIA X 2-1/2 Z	2005	
<b>Hub Assembly (Less Item 5)</b>				
	P235813	Hub, Front Mounted	2005	NA
	P239028	Hub, Rear Mounted	2005	NA

**VTA (Second Hub Assembly)**

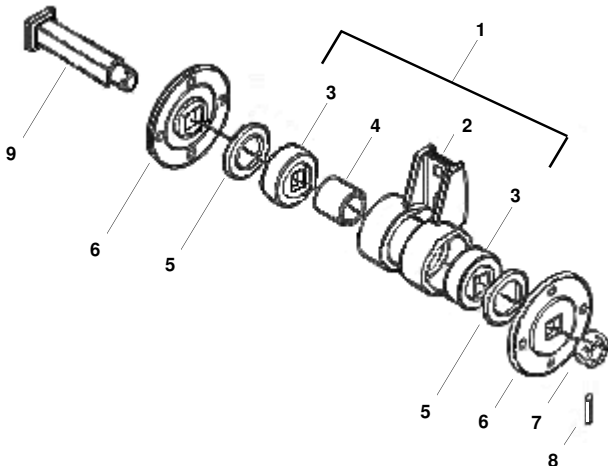
**YEAR Fall 2005**



ITEM	ORDER NUMBER	DESCRIPTION	YEAR	STATUS
1	235815	Hub with Cups – Front	2005	
1	239027	Hub with Cups – Rear (Shown)	2005	NA
2	12104	Cups (3.265 OD)	2005	
3	234008	Hub – Front	2005	NA
3	238621	Hub – Rear (Shown)	2005	NA
4	P88263	Grease Fitting	2005	
5	P89095	Nut, Jam 1-1/2 NF 5Z	2005	
6	234077MOD	Hub, Disk Blade	2005	
7	P26120	Seal (CR 22563)	2005	NA
8	234056	Shaft	2005	
9	239032	Bearing, Cone 1-3/4 ID (Peer)	2005	
10	P88554	Bolt 1/2 x 1-1/4 NC 5Z	2005	NA
	P88303	Lock Washer 1/2	2005	
	P88104	Nut 1/2 Hex NC	2005	
<b>Hub Assembly (Less Item 5)</b>				
	235813MOD	Hub, Front Mounted	2005	
	239028MOD	Hub, Rear Mounted	2005	NA

**VTA (Third Hub Assembly)**

**YEAR 2006**



ITEM	ORDER NUMBER	DESCRIPTION	YEAR	STATUS
1	P238662	Hub with Brg – Front (Shown)	2006	
1	P238661	Hub with Brg – Rear	2006	
2	P238649	Hub – Front	2006	
2	P238659	Hub – Rear (Shown)	2006	
3	P238660	Bearing, 1-1/8 Sq (W208PPB12)	2006	
4	P238646	Spacer, Bushing	2006	
5	P89428	Bushing Mach 1-1/2 x 2-1/4 18 Ga	2006	
6	P238648	Hub, Disk Blade	2006	
7	P88524	Nut, Slotted 1-1/8 NC Z	2006	
8	P88628	Pin Roll 1/4 DIA X 1-3/4 Z	2006	
9	P238644	Shaft, Sq. (Replaced by 239933)	2006	NA
	P239933	Shaft, Sq.	2006	
<b>Hub Assembly</b>				
	P238664	Hub, Front Mounted	2006	
	P238663	Hub, Rear Mounted	2006	