

*camoplast*  
HI-PERFORMANCE TRACKS

# Parts Manual

---

## Trailed Track System (TTS)

---

70 Series (70-2516, 70-3011, 70-3611)

80 & 100 Series (100-3612, 100-3613, includes 80-3013)



## TABLE OF CONTENTS

FOREWORD .....	2
Track Series & Brand Comparison .....	2
Abbreviations .....	3
Location of Product Model and Serial Number (Identification plate) .....	3
Parts Ordering Procedure .....	3
Parts List Format .....	3
TRAILED TRACK SYSTEM 70 SERIES .....	70-2
Track & Undercarriage .....	70-2
Undercarriage Assembly .....	70-4
Frame Assembly .....	70-6
Tension Link Assembly .....	70-8
Tensioner Assembly .....	70-10
Alignment Assembly .....	70-12
Bogie Assembly - Mid-roller .....	70-14
Hub - Idler .....	70-16
Hub - Mid-roller .....	70-18
TRAILED TRACK SYSTEM 80 & 100 SERIES (INCLUDES 80-3013) .....	100-2
Track & Undercarriage .....	100-2
Undercarriage Assembly .....	100-4
Frame Assembly .....	100-6
Tension Link Assembly .....	100-8
Tensioner Assembly .....	100-10
Alignment Assembly .....	100-12
Bogie Assembly - Mid-roller .....	100-14
Carrier Assembly .....	100-16
Hub - Idler .....	100-18
Hub - Mid-roller .....	100-20
FITMENT KITS .....	101-2
Axles .....	101-2
4" & 5.5" Straight Pins .....	101-4
6" & 9" Stabilizer Assemblies .....	101-6
16.75" & 24" Stabilizer Assemblies .....	101-8

# FOREWORD

## Track Series & Brand Comparison

### 70 Series

<i>Track Size</i>	<b>236" x 25"</b>	<b>236" x 30"</b>	<b>236" x 36"</b>
<b>TTS Model</b>	70-2516	70-3011	70-3611

### 100 Series (includes 80-3013)

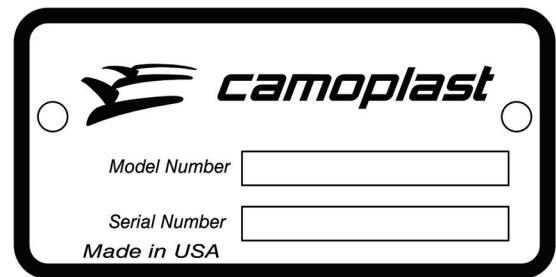
<i>Track Size</i>	<b>302" x 30"</b>	<b>302" x 36"</b>	<b>324" x 36"</b>
<b>TTS Model</b>	80-3013	100-3613	100-3612

## FOREWORD (CONT'D)

### Abbreviations

- FN** - Footnote is a column in the parts list used to communicate information that directly effects the part it's lined up with. The number used will correspond with information located below the parts list.
- UAR** - Use As Required (UAR) is used in the quantity column indicating the number of parts used is determined by service needs.
- REF** - Reference used in the part number column indicates the part has special service information. The location of this information is often referenced in the description column.
- NSS** - Not Serviced Separately (NSS) in a part number column indicates the part is not available for service.

### Location of Product Model and Serial Number (Identification plate)



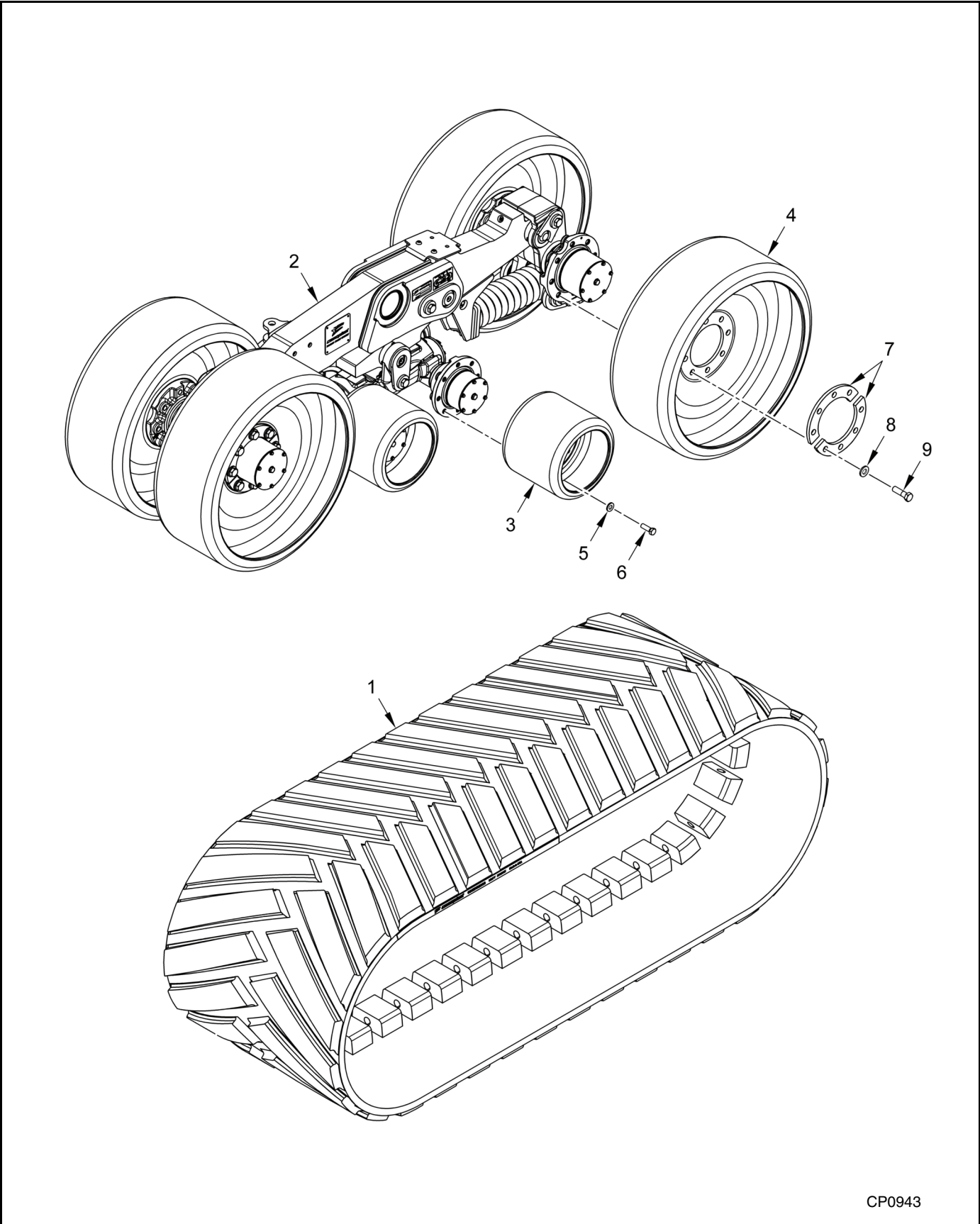
### Parts Ordering Procedure

When ordering parts for your Trailed Track System (TTS), please contact an authorized TTS dealer in your area. If the parts are associated with a possible warranty claim, make sure that you contact the original dealer from which you purchased the TTS. Make sure to provide the TTS model, Serial number, Part number, Part description and quantity.

### Parts List Format

**TTS Series Column** - This column is used to list TTS series model numbers in the event the part needs to be ordered by model. If the column is blank that part is used for all models.

Track & Undercarriage



CP0943

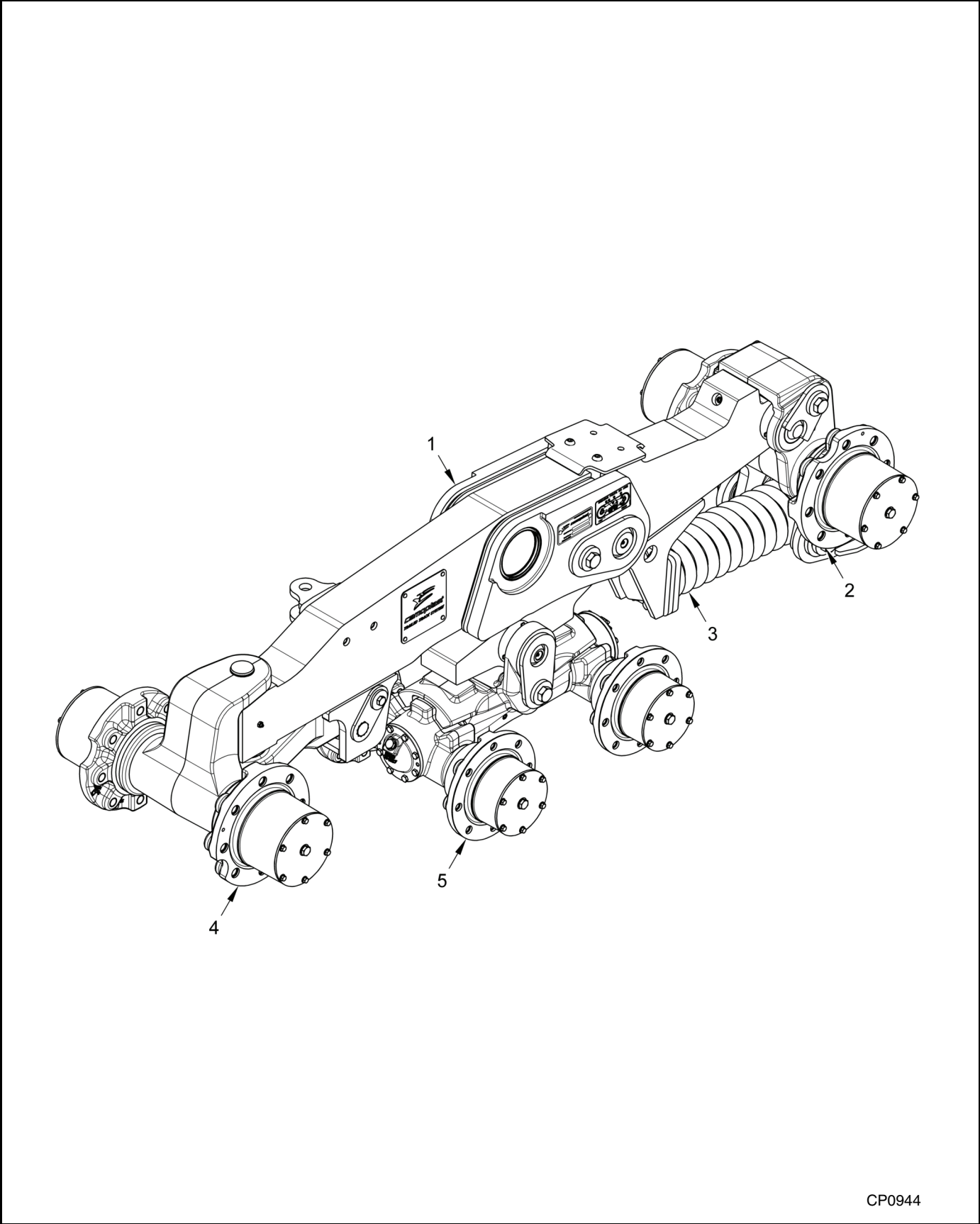
# TRAILED TRACK SYSTEM 70 SERIES

## Track & Undercarriage

(2A-0968)

Ref.	FN	Part Number	TTS Series	Qty.	Description
1		G25BN03028	70-2516	1	TRACK, Rubber, 236" x 25"
		G30BN03029	70-3011	1	TRACK, Rubber, 236" x 30"
		G36BN02968	70-3611	1	TRACK, Rubber, 236" x 36"
2		REF		1	UNDERCARRIAGE ASSY., See page 70-4
3		4W-0327-101	70-2516	4	WHEEL, Mid-roller, TTS Gray, (25" Track)
		4W-0321-101	70-3011	4	WHEEL, Mid-roller, TTS Gray, (30" Track)
		4W-0321-101	70-3611	4	WHEEL, Mid-roller, TTS Gray, (36" Track)
		4W-0321-103	70-3011	4	WHEEL, Mid-roller, Semi-gloss Black, (30" Track)
		4W-0321-103	70-3611	4	WHEEL, Mid-roller, Semi-gloss Black, (36" Track)
4		5W-0281-101	70-2516	4	WHEEL, Idler, TTS Gray, (25" Track)
		5W-0287-101	70-3011	4	WHEEL, Idler, TTS Gray, (30" Track)
		5W-0287-101	70-3611	4	WHEEL, Idler, TTS Gray, (36" Track)
		5W-0287-103	70-3011	4	WHEEL, Idler, Semi-gloss, Black, (30" Track)
		5W-0287-103	70-3611	4	WHEEL, Idler, Semi-gloss, Black, (36" Track)
5		2F-0065		32	WASHER, Flat, M16
6		2F-0087		32	BOLT, Hex, M16 x 50 Gr 10.9
7		2C-2030		8	RING, Back-up
8		224091351		32	WASHER, Flat, 21.4 x 42 x 5 mm
9		2F-0158		32	BOLT, Hex, M20 x 70 Gr 10.9

**Undercarriage Assembly**



CP0944



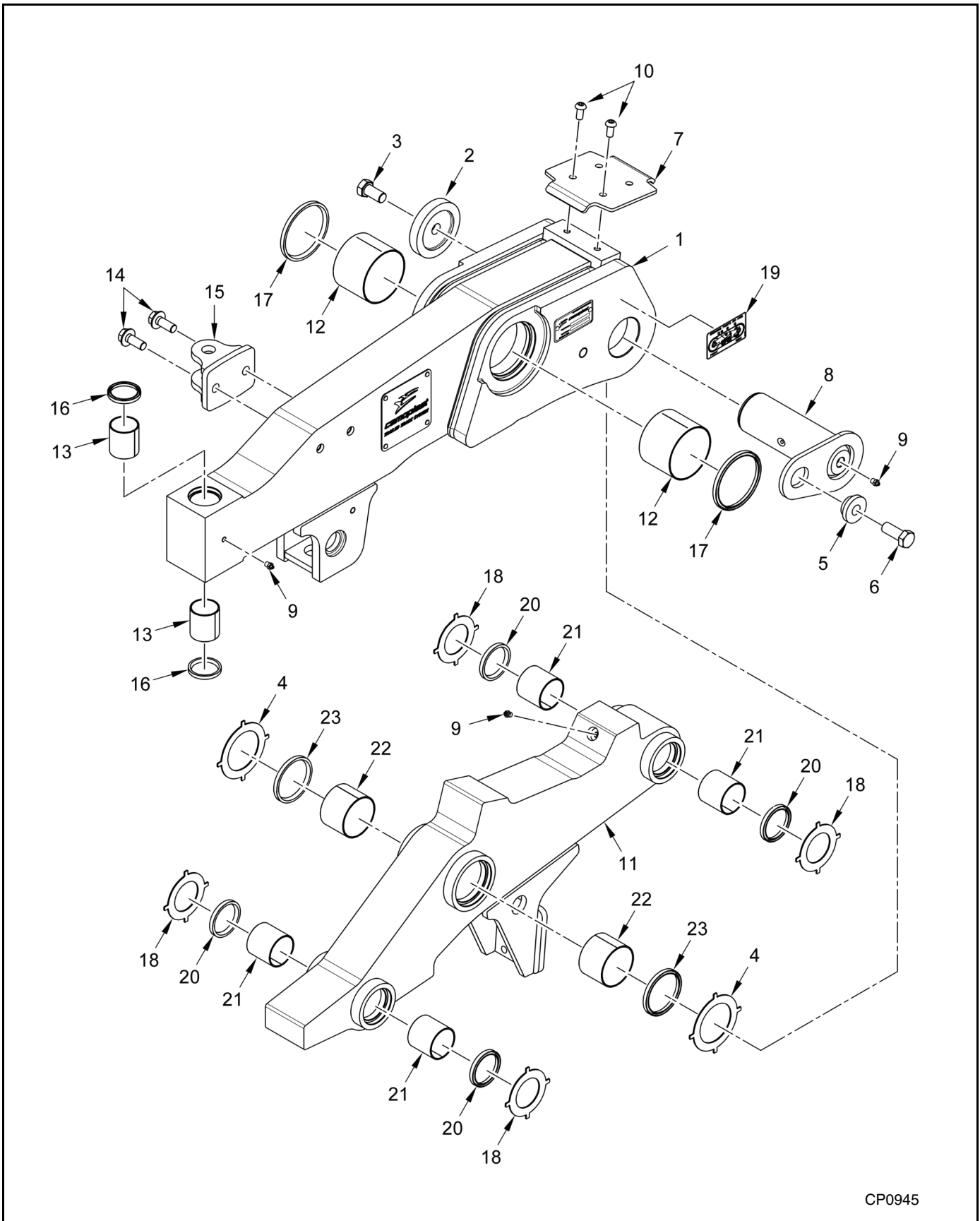
# TRAILED TRACK SYSTEM 70 SERIES

## Undercarriage Assembly

(2A-0967)

Ref.	FN	Part Number	TTS Series	Qty.	Description
1		REF		1	FRAME ASSY., See page 70-6
2		REF		1	TENSION LINK ASSY., See page 70-8
3		REF		1	TENSIONER ASSY., See page 70-10
4		REF		1	ALIGNMENT ASSY., See page 70-12
5		REF		1	BOGIE ASSY., Mid-roller, See page 70-14

# Frame Assembly



CP0945

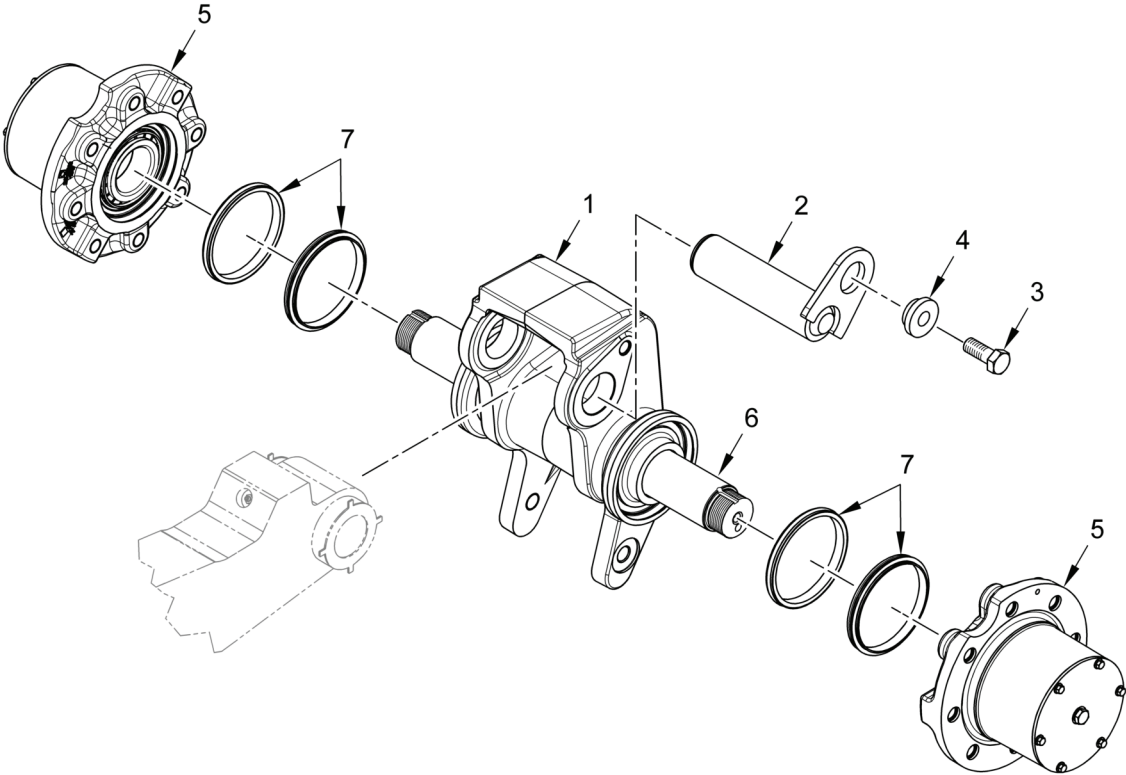
# TRAILED TRACK SYSTEM 70 SERIES

## Frame Assembly

(2A-0967)

Ref.	FN	Part Number	TTS Series	Qty.	Description
1		2A-0964		1	FRAME, Main, Includes item 11
2		2C-2025		1	CAP, End, 80 mm
3		2F-0143		1	BOLT, Hex, M20 x 40 Gr 10.9
4		2C-2033		2	WASHER, Thrust, 60 mm
5		2C-2024		4	SPACER, Flg., M20
6		2F-0323		1	BOLT, Hex, M20 x 50 Gr 10.9
7		2C-2157-101		1	DEFLECTOR, Black
8		2S-0350		1	PIN
9		2H-0060		2	FITTING, Grease, 1-8"-27 PTF
10		2F-0307		2	BOLT, Flg., K-socket, M12 x 25 CI 10.9
11		2A-0952		1	ARM, Tandem
12		2B-0130		2	BUSHING
13		2B-0118		2	BUSHING
14		761804065		2	BOLT, Hex Flg., M16 x 40 CI 10.9
15		2S-0416-101		1	BRACKET, Side
16		2J-0116		2	SEAL, Scraper, 50 x 62 x 7 mm thk
17		2J-0143		2	SEAL, Scraper, 105 x 120 x 8 mm thk
18		2C-2032		4	WASHER, Thrust, 60 mm
19		2M-0160		1	DECAL, TTS Greasing
20		2J-0117		4	SEAL, Scraper, 60 x 74 x 8 mm thk
21		2B-0117		2	BUSHING, 60 x 65 x 60 mm thk
22		2B-0116		2	BUSHING, 80 x 85 x 60 mm thk
23		2J-0118		2	BUSHING, 80 x 94 x 8 mm thk

Tension Link Assembly



CP0947

# TRAILED TRACK SYSTEM 70 SERIES

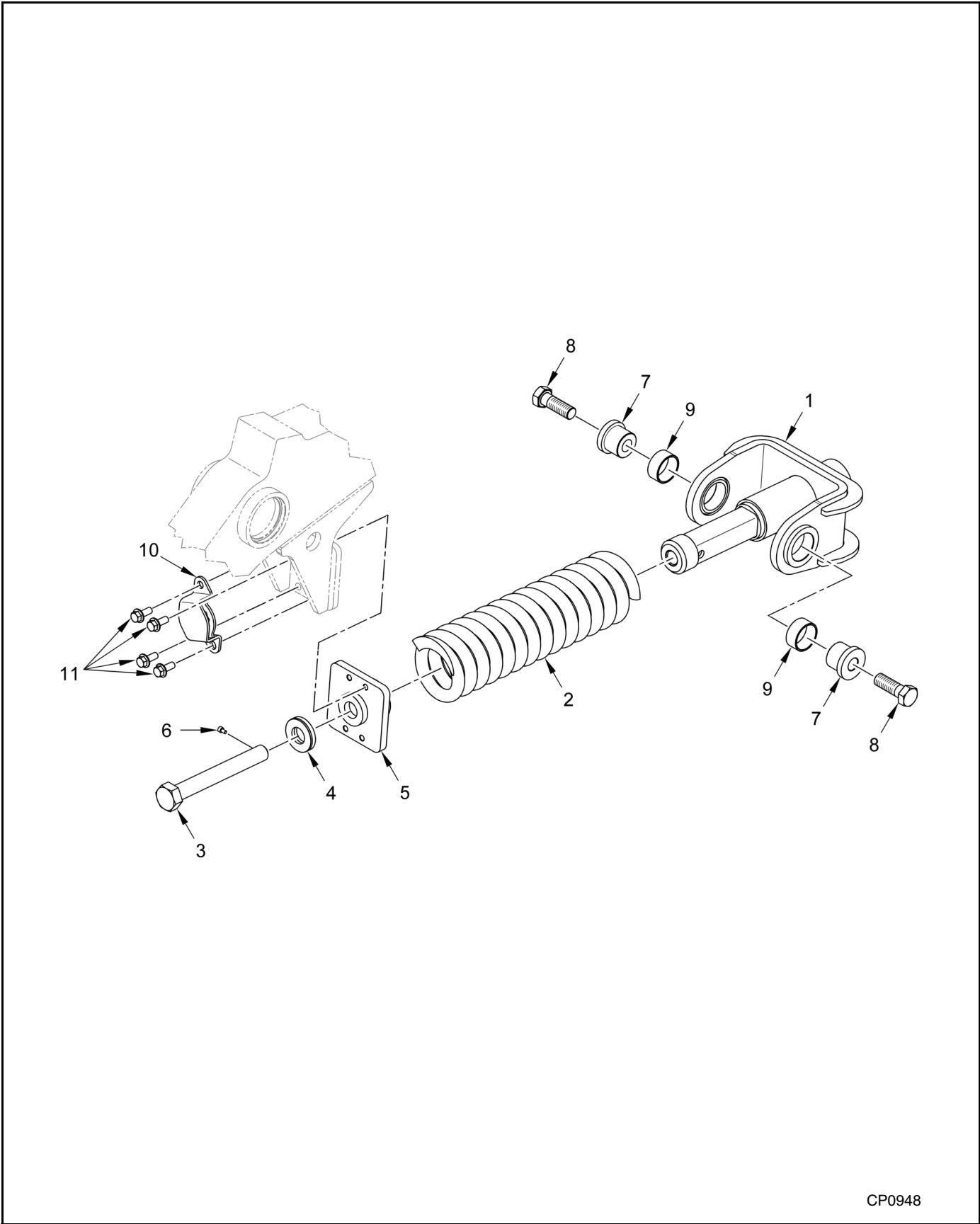
## Tension Link Assembly

(2A-0924)

Ref.	FN	Part Number	TTS Series	Qty.	Description
		2A-0924-101		1	LINK ASSY., Tension, Includes items 1, 5, 6 & 7
1		2A-0925-101		1	LINK, Tension
2		2S-0424		1	PIN, Tensioner
3		2F-0323		1	BOLT, Hex, M20 x 50 Cl 10.9
4		2C-2024		1	SPACER, Flg., M20
5		NSS		1	HUB, Idler, See page 70-16
6		NSS		1	AXLE, Idler
7	1	2J-0026		2	SEAL, Mechanical Face, 127 mm ID

1 - For Special Tooling use p/n 2P-0019 Seal Installation Tool available from Camoplast.

Tensioner Assembly



CP0948

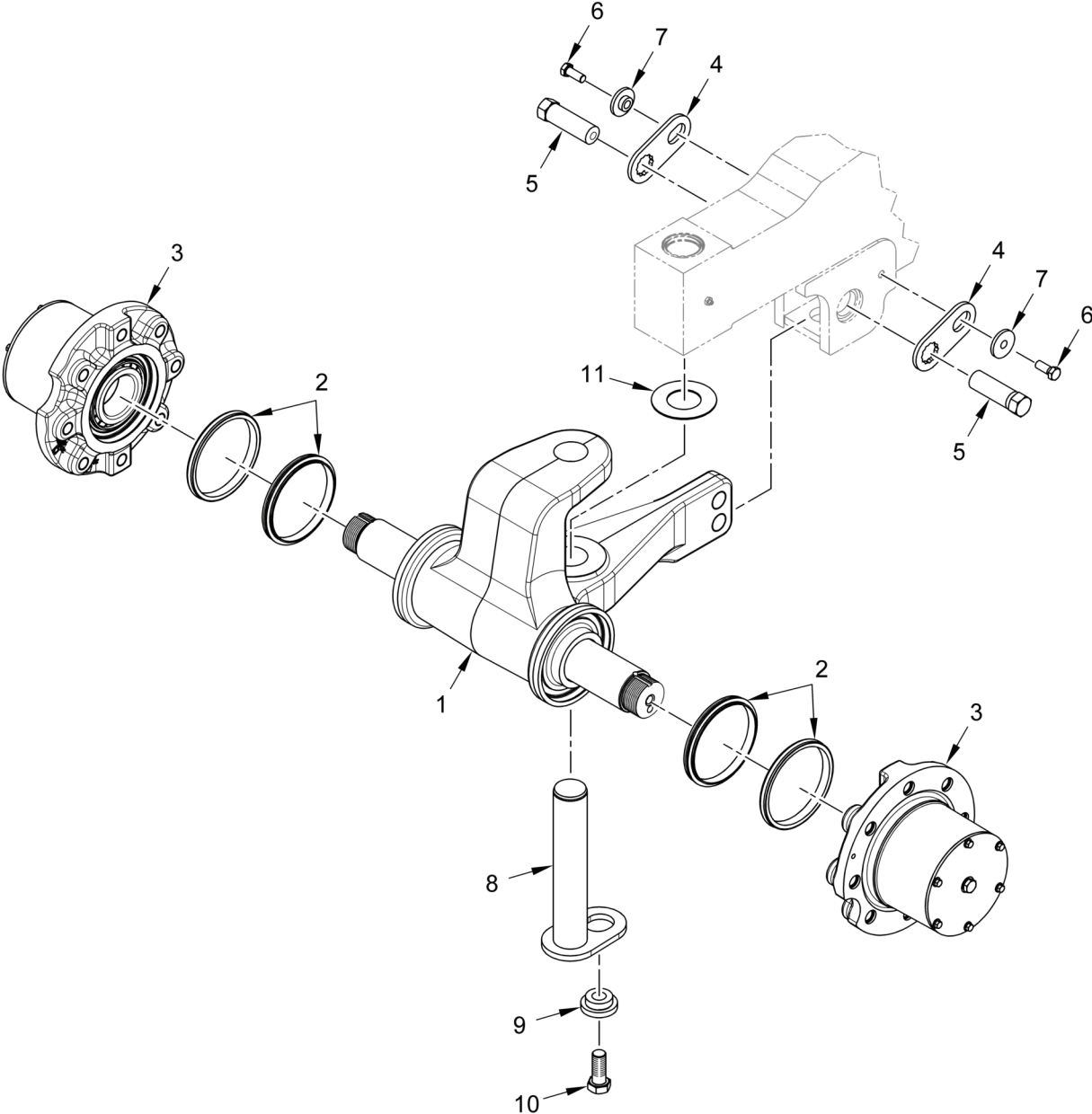
# TRAILED TRACK SYSTEM 70 SERIES

## Tensioner Assembly

(2A-1001)

Ref.	FN	Part Number	TTS Series	Qty.	Description
		2A-1001		1	TENSIONER ASSY., Track, Includes items 1 - 6, 10
1		2A-0994		1	SEAT, Spring
2		2M-0145-001		1	SPRING
3		2C-2255		1	SCREW, Compression, M24 x 3 x 240
4		2F-0322		1	WASHER, Flat, 1.25"
5		2S-0429		1	SUPPORT, Head
6		2F-0324		1	SCREW, Set, Hex Socket, M6 x 10 CI 12.9
7		2C-2262		2	SPACER
8		2F-0181		2	BOLT, Hex, M24 x 70 CI 10.9
9		2B-0133		2	BUSHING, Oiltite
10		2S-0432-001		1	CAP, Locking
11		2F-0001		4	BOLT, Hex Flg., M12 x 30 CI 10.9

Alignment Assembly



CP0955



# TRAILED TRACK SYSTEM 70 SERIES

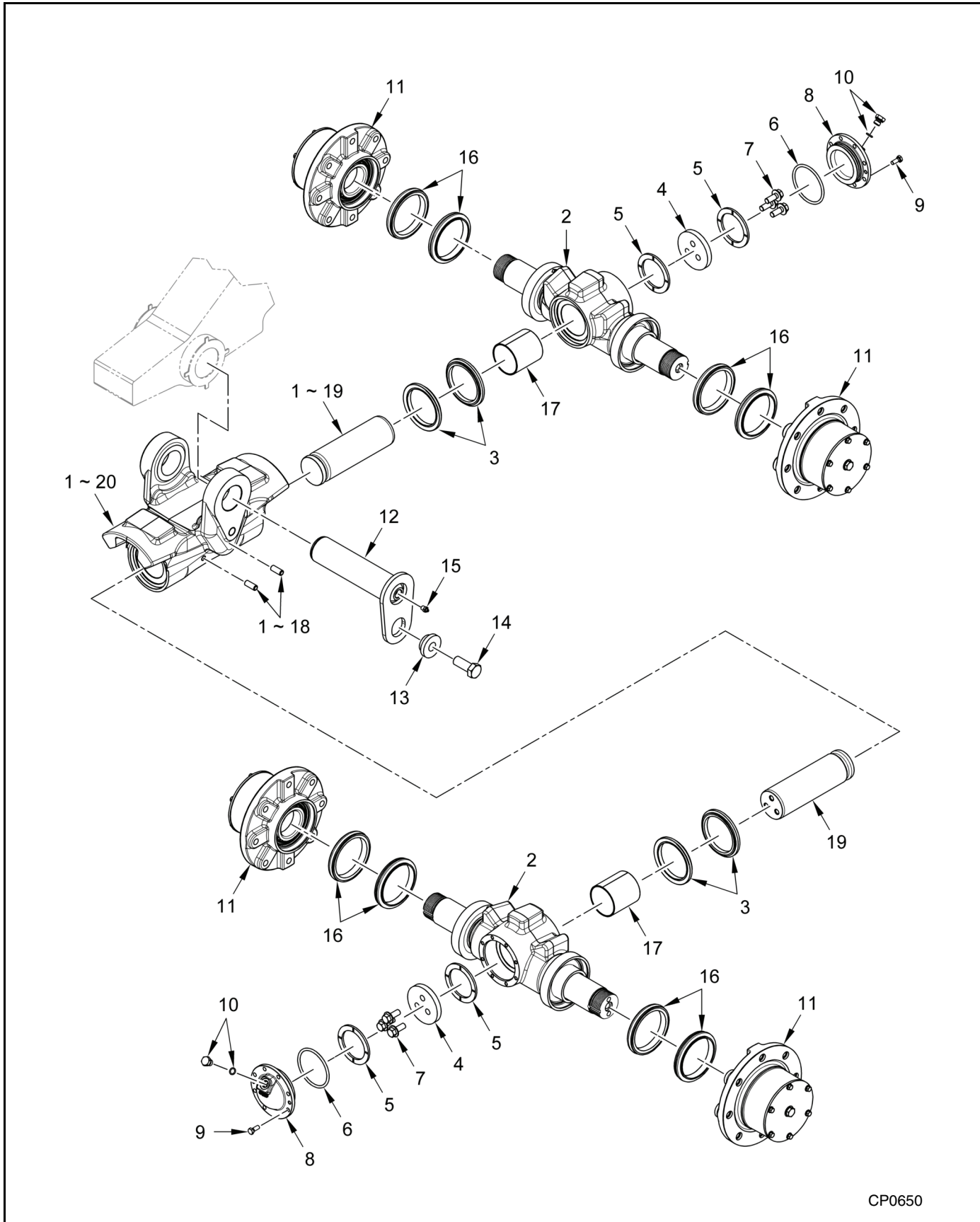
## Alignment Assembly

(2A-0922 & 2A-0967)

Ref.	FN	Part Number	TTS Series	Qty.	Description
		2A-0922-101		1	ALIGNMENT ASSY., Lever, Includes items 1 & 3
1		2A-0923-101		1	LEVER, Alignment
2	1	2J-0026		2	SEAL, Mechanical Face, 127 mm ID
3		NSS		2	HUB, Idler, See page 70-16
4		2C-0387		2	PLATE, Lock
5		2F-0188		2	SCREW, Set, Special, 1-1/8" x 85 mm
6		2F-0005		2	BOLT, Hex, M12 x 30 Cl 10.9
7		2C-0008		2	SPACER, Flanged
8		2S-0352		1	PIN, Mounting
9		2C-2024		1	SPACER, Flg., M20
10		2F-0323		1	BOLT, Hex, M20 x 50 Cl 10.9
11		2C-2023		1	WASHER, Thrust, 50 mm

1 - For Special Tooling use p/n 2P-0019 Seal Installation Tool available from Camoplast.

# Bogie Assembly - Mid-roller



CP0650

# TRAILED TRACK SYSTEM 70 SERIES

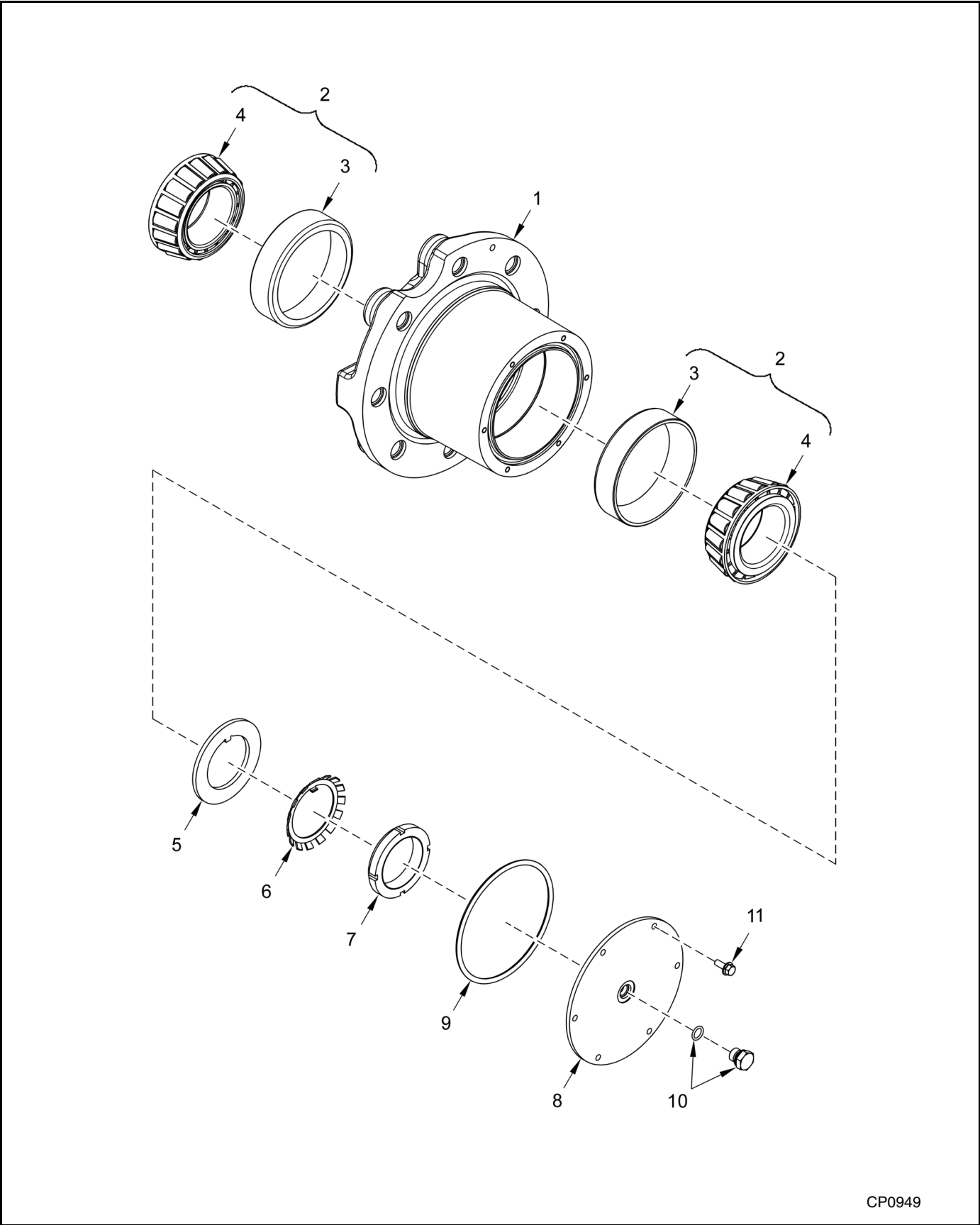
## Bogie Assembly - Mid-roller

(2A-0918)

Ref.	FN	Part Number	TTS Series	Qty.	Description
		2A-0918-101		1	BOGIE ASSY., Mid-roller, Includes items 1 - 11, 15, 16 & 18, 19
		2A-0920-101		1	HUB and AXLE ASSY., Mid-roller, Includes items 2, 11, 16 & 17
1		2A-0919-101		1	DOGHOUSE ASSY., Mid-roller, Includes items 18 - 20
2		2A-0921-101		2	AXLE, Mid-roller
3		2J-0090		2	SEAL, Mechanical Face, 88 mm Sq.
4		2C-1335		2	PLATE, End
5		2C-1334		4	RING, Thrust, 70.3 mm ID
6		2J-0141		2	O-RING
7		2F-0001		6	BOLT, Hex Flg., M12 x 30 CI 10.9
8		2C-1327		2	COVER, End
9		2F-0242		16	BOLT, Hex, M8 x 20 CI 10.9
10		2H-0159		2	PLUG, End Cover
11		2C-1320-101		4	HUB, Mid-roller, See page 70-18
12		2S-0351		1	PIN, Mounting
13		2C-2024		1	SPACER, Flg., M20
14		2F-0323		1	BOLT, Hex, M20 x 50 CI 10.9
15		2H-0060		1	FITTING, Grease, 1/8"-27 PTF Short
16	1	2J-0017		1	SEAL, Mechanical Face
17		2B-0119		2	BUSHING, PT, 70 x 75 x 80 mm Long
18		NSS		2	SCREW, Hex Socket, M12 x 30
19		NSS		2	PIN, Connection
20		NSS		1	DOGHOUSE, Mid-roller

1 - For Special Tooling use p/n 2P-0020 Seal Installation Tool available from Camoplast.

Hub - Idler



CP0949

# TRAILED TRACK SYSTEM 70 SERIES

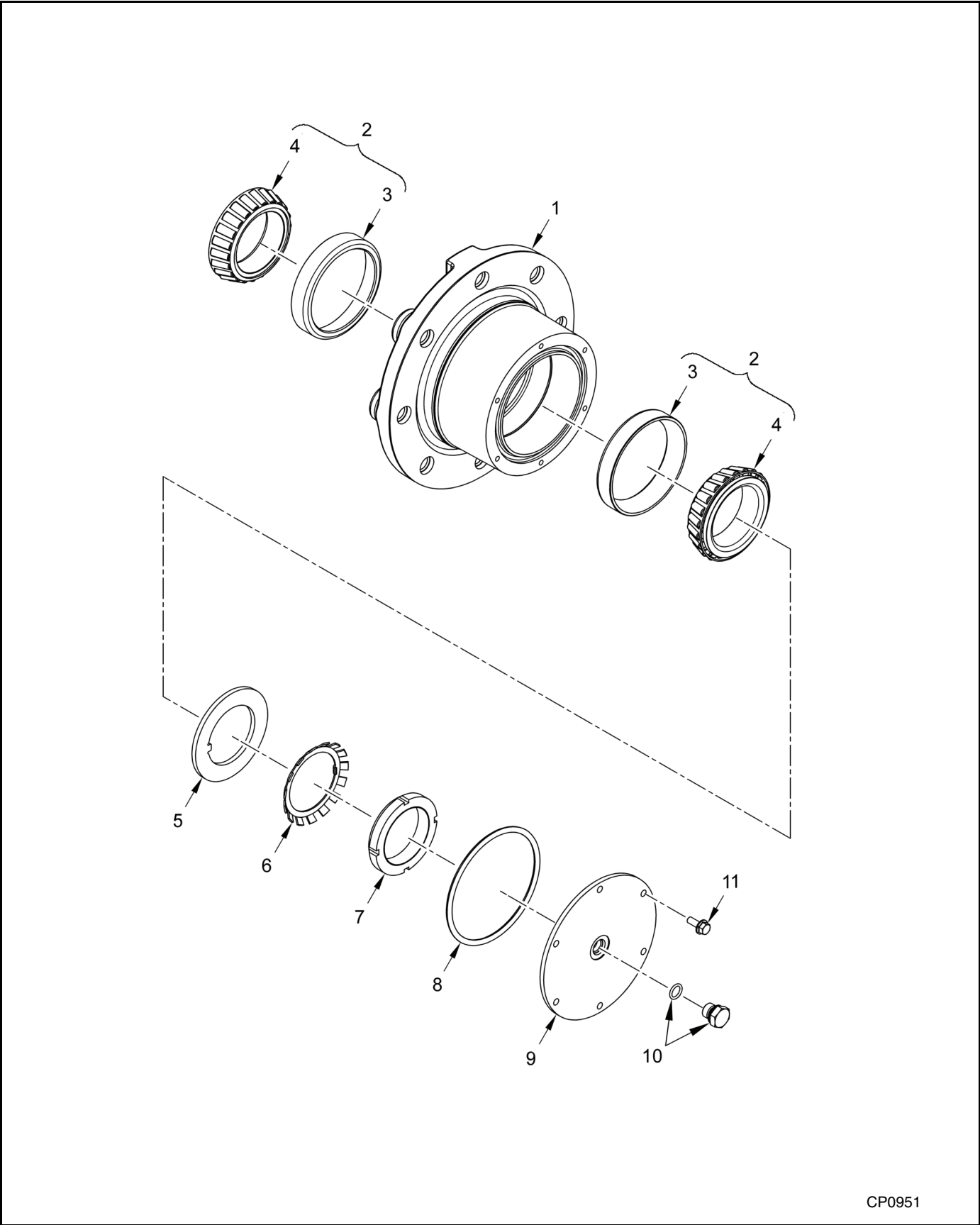
## Hub - Idler

(2A-0922 & 2A-0924)

Ref.	FN	Part Number	TTS Series	Qty.	Description
1		2C-2013-101		1	HUB, Idler
2		2A-1067-100		2	BEARING SERVICE SET, Idler, Includes items 3 & 4
3		NSS		1	BEARING, Roller, Cup
4		NSS		1	BEARING, Roller Cone
5		674012700		1	WASHER, Tongue
6		105023916		1	WASHER, Lock
7	1	105023915		1	NUT, Lock
8		2C-0196-101		1	COVER, Idler Hub
9		2J-0023		1	O-RING
10		2H-0159		1	PLUG
11		761301665		6	BOLT, Hex Flg., M6 x 16 Cl 10.9

1 - For Special Tooling use p/n 2P-0021 Bearing Locknut Socket available from Camoplast.

Hub - Mid-roller



CP0951

# TRAILED TRACK SYSTEM 70 SERIES

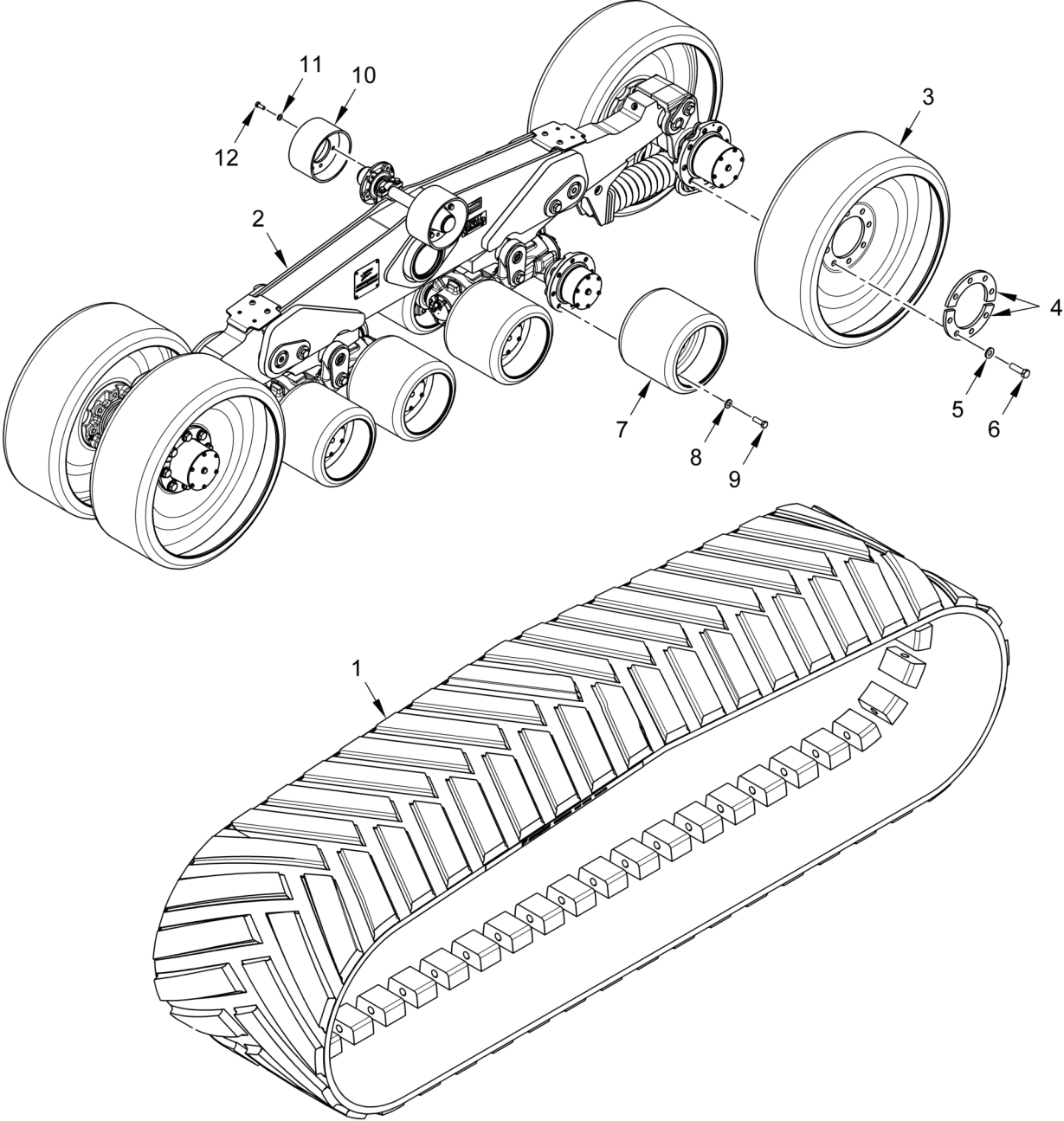
## Hub - Mid-roller

(2A-0920)

Ref.	FN	Part Number	TTS Series	Qty.	Description
1		2C-2013-101		1	HUB, Idler
2		2A-1066-100		2	BEARING SERVICE SET, Mid-roller, Includes items 3 & 4
3		NSS		1	BEARING, Roller, Cup
4		NSS		1	BEARING, Roller Cone
5		674012700		1	WASHER, Tongue
6		105023916		1	WASHER, Lock
7	1	105023915		1	NUT, Lock
8		2C-0196-101		1	COVER, Idler Hub
9		2J-0023		1	O-RING
10		2H-0159		1	PLUG
11		761301665		6	BOLT, Hex Flg., M6 x 16 Cl 10.9

1 - For Special Tooling use p/n 2P-0021 Bearing Locknut Socket available from Camoplast.

Track & Undercarriage



CP0956



# TRAILED TRACK SYSTEM 80 & 100 SERIES

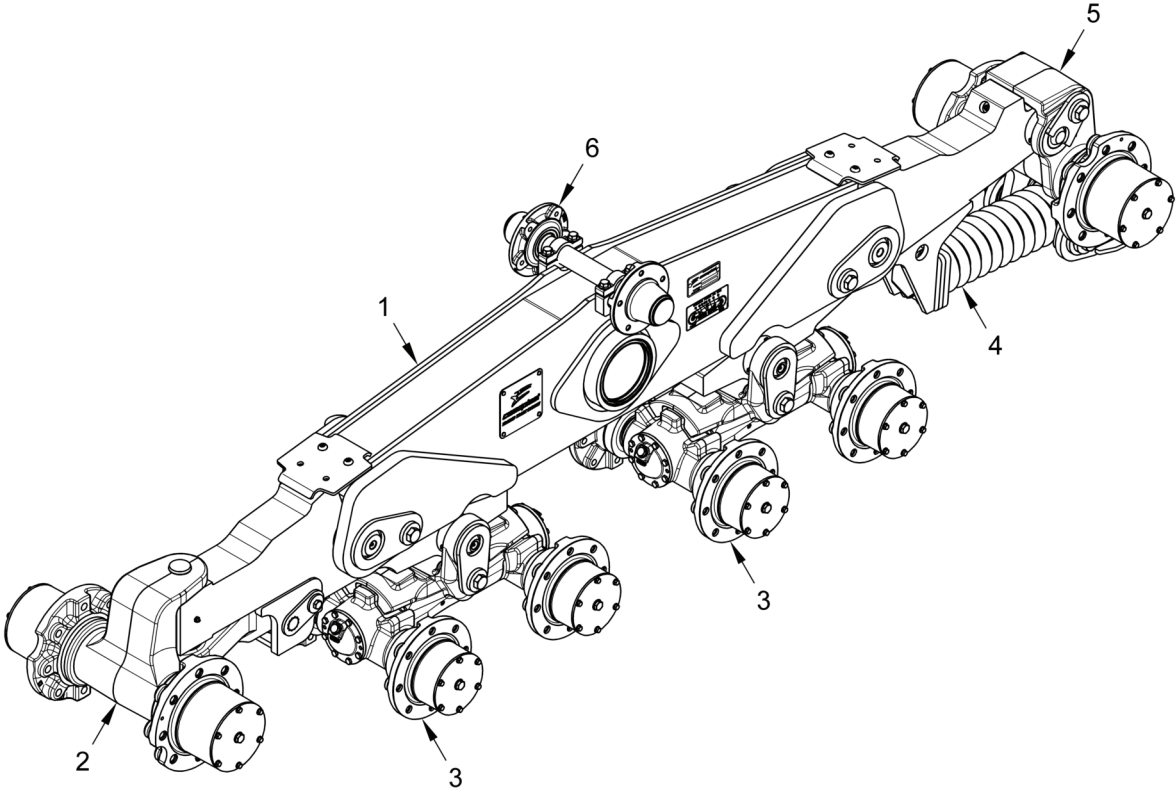
(INCLUDES 80-3013)

## Track & Undercarriage

(2A-0950 & 2A-0926)

Ref.	FN	Part Number	TTS Series	Qty.	Description
1		G30BP03030	80-3013	1	TRACK, Rubber, 302" x 30"
		G36BR02966	100-3612	1	TRACK, Rubber, 324" x 36"
		G36BP02967	100-3613	1	TRACK, Rubber, 302" x 36"
2		REF		1	UNDERCARRIAGE ASSY., See page 100-4
3		5W-0281-101	80-3013	4	WHEEL, Idler, TTS Gray, (30" Track)
		5W-0287-101	100-3612	4	WHEEL, Idler, TTS Gray, (36" Track)
		5W-0287-101	100-3613	4	WHEEL, Idler, TTS Gray, (36" Track)
		5W-0287-102	100-3612	4	WHEEL, Idler, ROPA Yellow, (36" Track)
		5W-0287-102	100-3613	4	WHEEL, Idler, ROPA Yellow, (36" Track)
		5W-0287-103	100-3612	4	WHEEL, Idler, Semi-gloss Black, (36" Track)
		5W-0287-103	100-3613	4	WHEEL, Idler, Semi-gloss Black, (36" Track)
4		2C-2030		8	RING, Back-up
5		224091351		4	WASHER
6		2F-0158		32	BOLT, Hex, M20 x 70 CI 10.9
7		4W-0327-101	80-3013	8	WHEEL, Mid-roller, TTS Gray, (30" Track)
		4W-0321-101	100-3612	8	WHEEL, Mid-roller, TTS Gray, (36" Track)
		4W-0321-101	100-3613	8	WHEEL, Mid-roller, TTS Gray, (36" Track)
		4W-0321-102	100-3612	8	WHEEL, Mid-roller, ROPA Yellow, (36" Track)
		4W-0321-102	100-3613	8	WHEEL, Mid-roller, ROPA Yellow, (36" Track)
		4W-0321-103	100-3612	8	WHEEL, Mid-roller, Semi-gloss Black, (36" Track)
		4W-0321-103	100-3613	8	WHEEL, Mid-roller, Semi-gloss Black, (36" Track)
8		2F-0065		64	WASHER, Flat, M16
9		2F-0087		64	BOLT, Hex, M16 x 50 CI 10.9
10		2S-0375-001		2	ROLLER, Carrier
11		2F-0265		10	WASHER, M12
12		2F-0005		10	BOLT, Hex, M12 x 30 CI 10.9

**Undercarriage Assembly**



CP0957

# TRAILED TRACK SYSTEM 80 & 100 SERIES

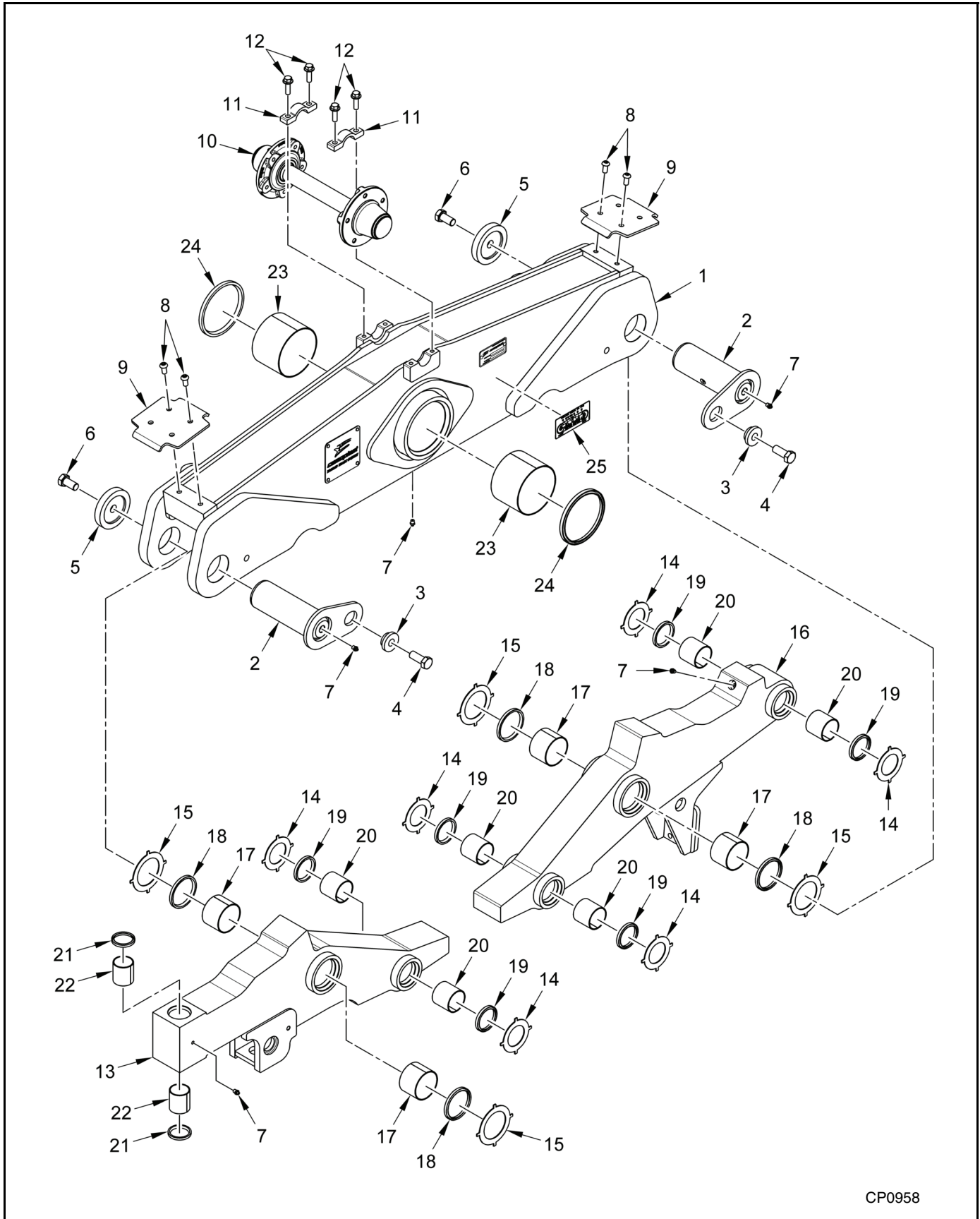
(INCLUDES 80-3013)

## Undercarriage Assembly

(2A-0951 & 2A-0917)

Ref.	FN	Part Number	TTS Series	Qty.	Description
1		REF		1	FRAME ASSY., See page 100-6
2		REF		1	ALIGNMENT ASSY., See page 100-12
3		REF		2	BOGIE ASSY., Mid-roller, See page 100-14
4		REF		1	TENSIONER ASSY., See page 100-10
5		REF		1	TENSION LINK ASSY., See page 100-8
6		REF		1	CARRIER ASSY., See page 100-16

# Frame Assembly



CP0958

# TRAILED TRACK SYSTEM 80 & 100 SERIES

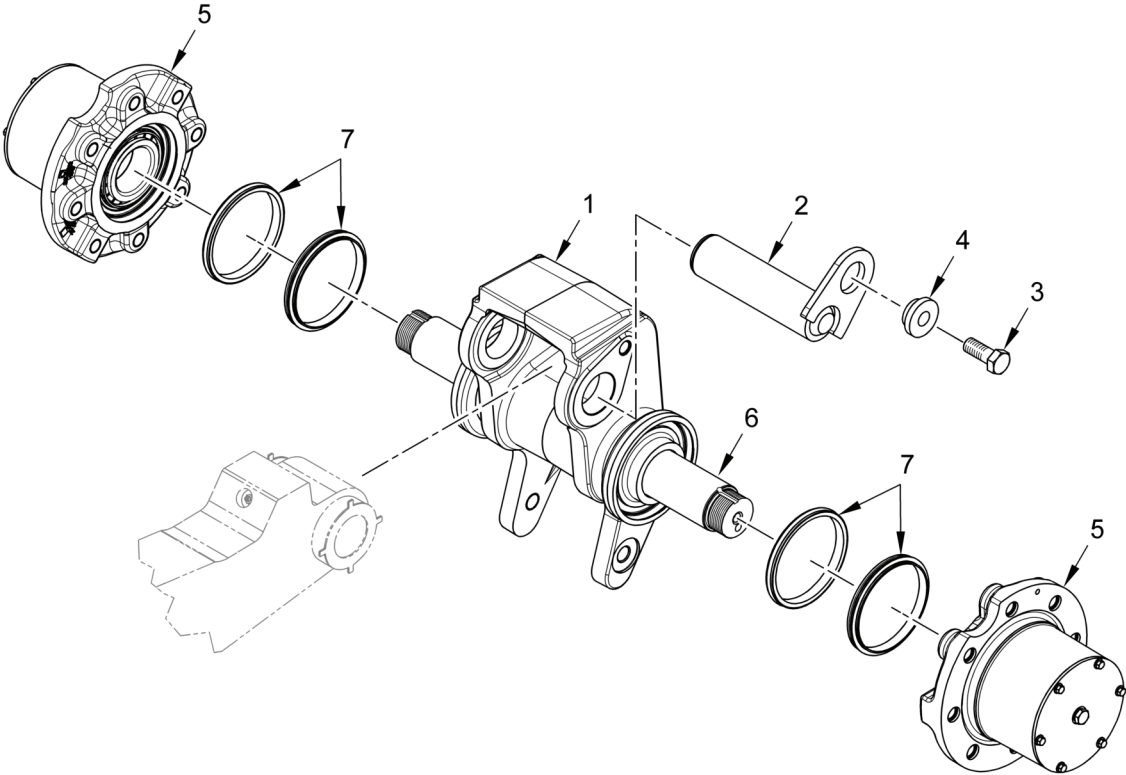
(INCLUDES 80-3013)

## Frame Assembly

(2A-0951 & 2A-0917)

Ref.	FN	Part Number	TTS Series	Qty.	Description
1		2A-0953	80-3013	1	FRAME, Main, Includes items 7, 23 & 24
		2A-0914	100-3612	1	FRAME, Main, Includes items 7, 23 & 24
		2A-0953	100-3613	1	FRAME, Main, Includes items 7, 23 & 24
2		2S-0350		2	PIN, Mounting
3		2C-2024		2	SPACER, Flanged, M20
4		2F-0323		2	BOLT, Hex, M20 x 40 CI 10.9
5		2C-2025		2	CAP, End
6		2F-0143		2	BOLT, Hex, M20 x 40 CI 10.9
7		2H-0060		5	FITTING, Grease, 1/8"-27 PTF Short
8		2F-0307		4	BOLT, Socket Hd., M12 x 25 CI 10.9
9		2C-2157-101		2	DEFLECTOR
10		2A-0931-101		1	CARRIER, Roller, See page 100-16
11		2C-2138		2	RETAINER, Axle Block
12		2F-0269		4	BOLT, Hex Flg., M12 x 40 CI 10.9
13		2A-0954	80-3013	1	ARM, Alignment, Includes 7, 14 - 24
		2A-0915	100-3612	1	ARM, Alignment, Includes 7, 14 - 24
		2A-0954	100-3613	1	ARM, Alignment, Includes 7, 14 - 24
14		2C-2032		6	WASHER, Thrust, 60 mm
15		2C-2033		4	WASHER, Thrust, 80 mm
16		2A-0952	80-3013	1	ARM, Tandem, Includes items 7, 17 - 20
		2A-0916	100-3612	1	ARM, Tandem, Includes items 7, 17 - 20
		2A-0952	100-3613	1	ARM, Tandem, Includes items 7, 17 - 20
17		2B-0116		4	BUSHING, M80 x 85 x 60 Long
18		2J-0118		4	SEAL, Scraper, 80 x 94 x 8 mm Thick
19		2J-0117		6	SEAL, Scraper, 60 x 74 x 8 mm Thick
20		2B-0117		6	BUSHING, 60 x 65 x 60 mm Long
21		2J-0116		2	SEAL, Scraper, 50 x 62 x 7 mm Thick
22		2B-0118		2	BUSHING, 50 x 55 x 60 mm Long
23		2B-0115		2	BUSHING, 140 x 145 x 100 mm Long
24		2J-0119		2	SEAL, Scraper, 140 x 160 x 10 mm Thick
25		2M-0161		1	DECAL, TTS Greasing

# Tension Link Assembly



CP0947

**TRAILED TRACK SYSTEM 80 & 100 SERIES**  
**(INCLUDES 80-3013)**

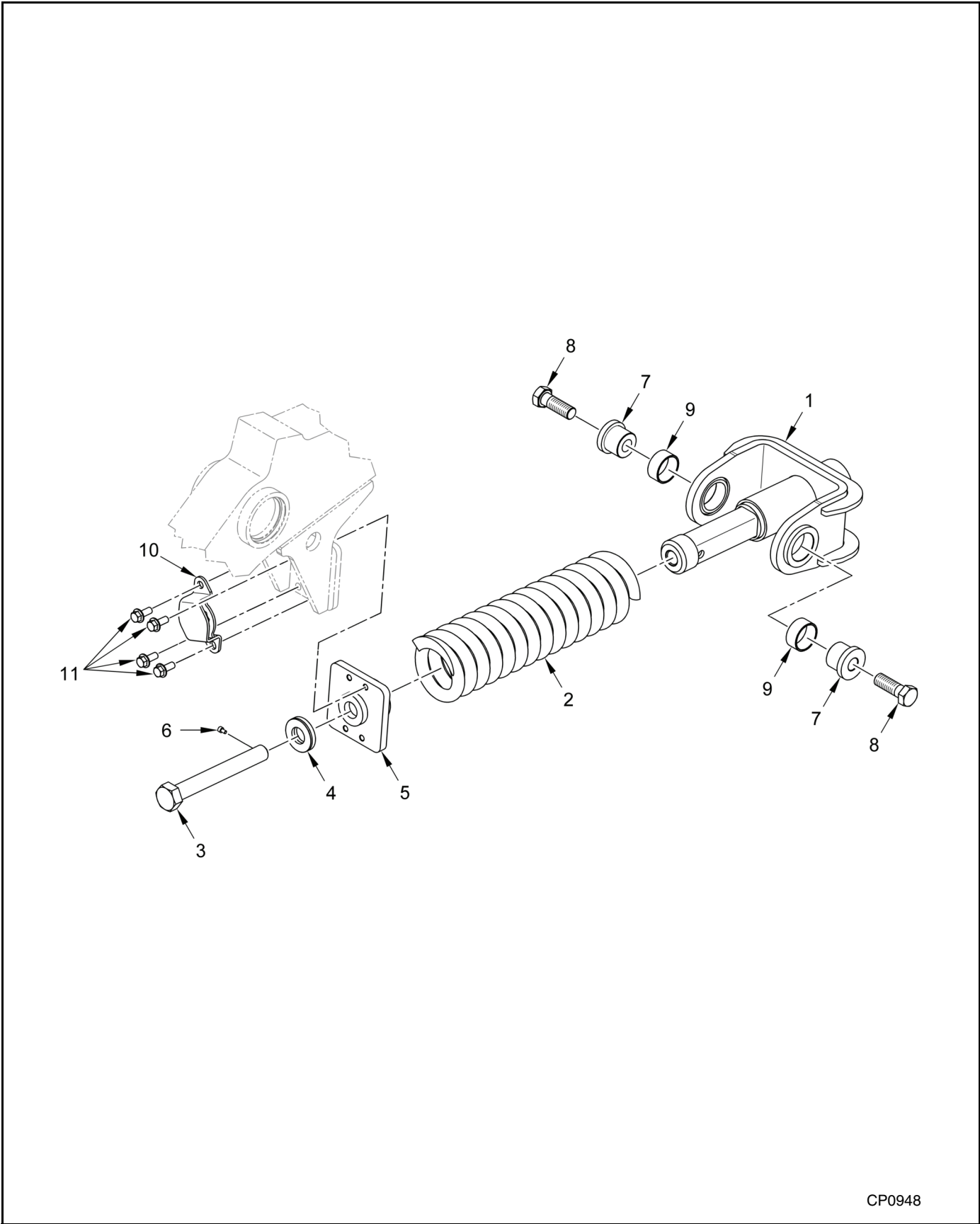
**Tension Link Assembly**

(2A-0924)

Ref.	FN	Part Number	TTS Series	Qty.	Description
		2A-0924-101		1	LINK ASSY., Tension, Includes items 1, 5, 6 & 7
1		2A-0925-101		1	LINK, Tension
2		2S-0424		1	PIN, Tensioner
3		2F-0323		1	BOLT, Hex, M20 x 50 Cl 10.9
4		2C-2024		1	SPACER, Flg., M20
5		NSS		1	HUB, Idler, See page 100-18
6		NSS		1	AXLE, Idler
7	1	2J-0026		2	SEAL, Mechanical Face, 127 mm ID

1 - For Special Tooling use p/n 2P-0019 Seal Installation Tool available from Camoplast.

Tensioner Assembly



CP0948



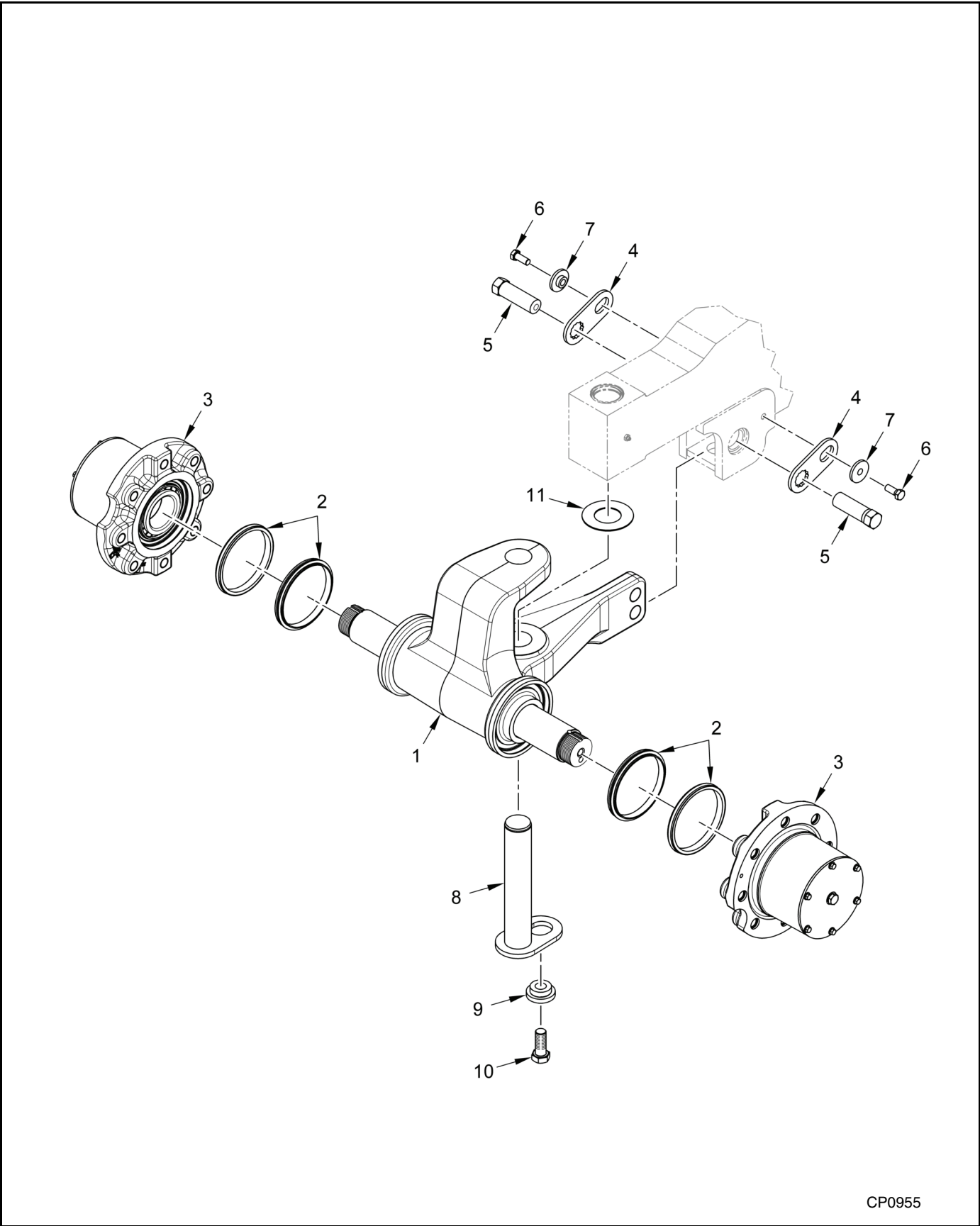
**TRAILED TRACK SYSTEM 80 & 100 SERIES**  
**(INCLUDES 80-3013)**

**Tensioner Assembly**

(2A-1001)

Ref.	FN	Part Number	TTS Series	Qty.	Description
		2A-1001		1	TENSIONER ASSY., Track, Includes items 1 - 6, 10
1		2A-0994		1	SEAT, Spring, Includes items 9
2		2M-0145-001		1	SPRING
3		2C-2255		1	SCREW, Compression, M24 x 3 x 240
4		2F-0322		1	WASHER, Flat, 1.25"
5		2S-0429		1	SUPPORT, Head
6		2F-0324		1	SCREW, Set, Hex Socket, M6 x 10 CI 12.9
7		2C-2262		2	SPACER
8		2F-0181		2	BOLT, Hex, M24 x 70 CI 10.9
9		2B-0133		2	BUSHING, Oiltite
10		2S-0432-001		1	CAP, Locking
11		2F-0001		4	BOLT, Hex Flg., M12 x 30 CI 10.9

# Alignment Assembly



CP0955

**TRAILED TRACK SYSTEM 80 & 100 SERIES**  
(INCLUDES 80-3013)

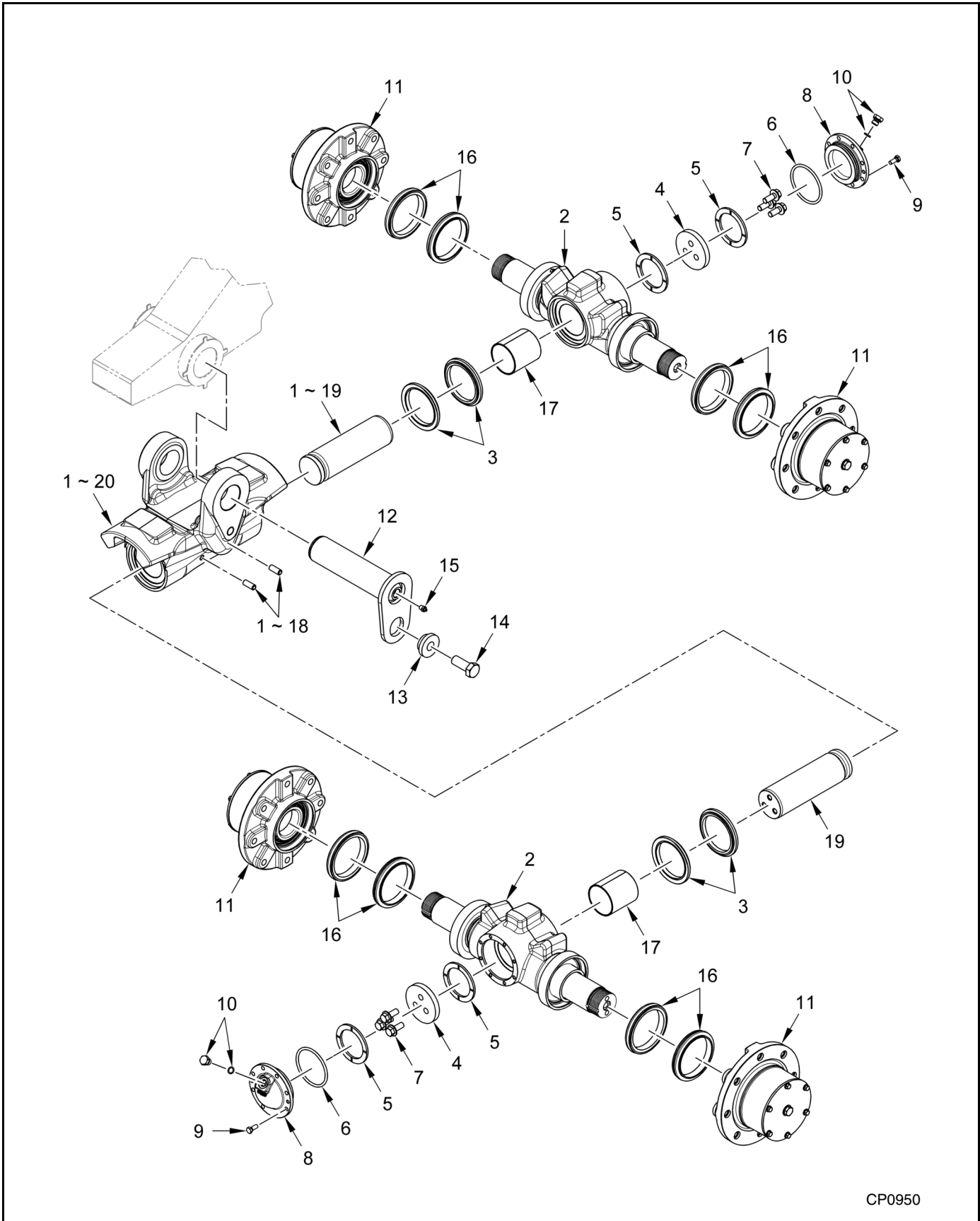
**Alignment Assembly**

(2A-0917, 2A-0922 & 2A-0951)

Ref.	FN	Part Number	TTS Series	Qty.	Description
		2A-0922-101		1	ALIGNMENT ASSY., Lever, Includes items 1 & 3
1		2A-0923-101		1	LEVER, Alignment
2	1	2J-0026		2	SEAL, Mechanical Face, 127 mm ID
3		NSS		2	HUB, Idler, See page 100-18
4		2C-0387		2	PLATE, Lock
5		2F-0188		2	SCREW, Set, Special, 1-1/8" x 85 mm
6		2F-0005		2	BOLT, Hex, M12 x 30 CI 10.9
7		2C-0008		2	SPACER, Flanged
8		2S-0352		1	PIN, Mounting
9		2C-2024		1	SPACER, Fig., M20
10		2F-0323		1	BOLT, Hex, M20 x 50 CI 10.9
11		2C-2023		1	WASHER, Thrust, 50 mm

1 - For Special Tooling use p/n 2P-0019 Seal Installation Tool available from Camoplast.

# Bogie Assembly - Mid-roller



CP0950

# TRAILED TRACK SYSTEM 80 & 100 SERIES (INCLUDES 80-3013)

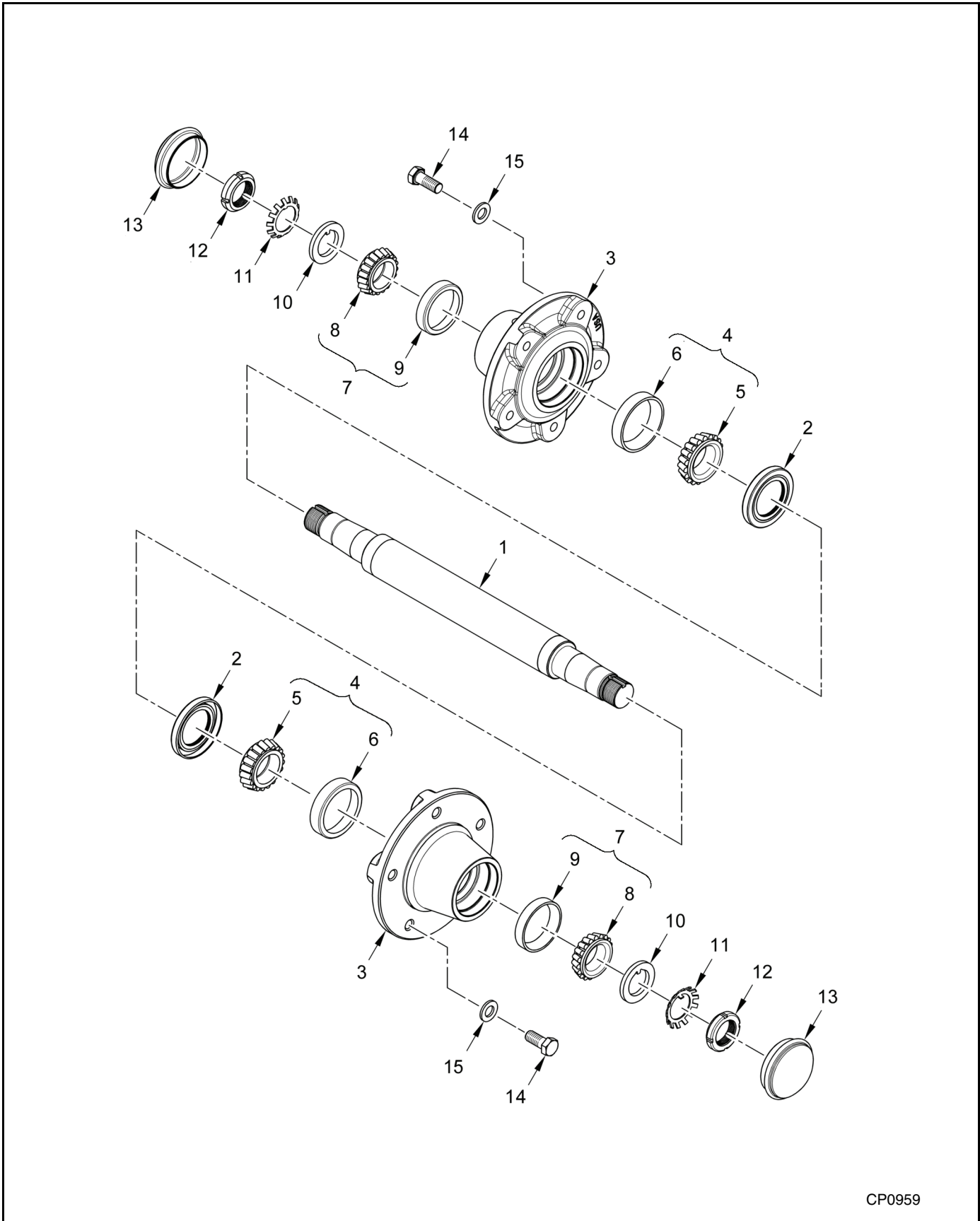
## Bogie Assembly - Mid-roller

(2A-0917, 2A-0918 & 2A-0951)

Ref.	FN	Part Number	TTS Series	Qty.	Description
		2A-0918-101		1	BOGIE ASSY., Mid-roller, Includes items 1 - 11, 15, 16 & 18, 19
		2A-0920-101		1	HUB and AXLE ASSY., Mid-roller, Includes items 2, 11, 16 & 17
1		2A-0919-101		1	DOGHOUSE ASSY., Mid-roller, Includes items 18 - 20
2		2A-0921-101		2	AXLE, Mid-roller
3		2J-0090		2	SEAL, Mechanical Face, 88 mm Sq.
4		2C-1335		2	PLATE, End
5		2C-1334		4	RING, Thrust, 70.3 mm ID
6		2J-0141		2	O-RING
7		2F-0001		6	BOLT, Hex Flg., M12 x 30 CI 10.9
8		2C-1327		2	COVER, End
9		2F-0242		16	BOLT, Hex, M8 x 20 CI 10.9
10		2H-0159		2	PLUG, End Cover
11		2C-1320-101		4	HUB, Mid-roller, See page 70-20
12		2S-0351		1	PIN, Mounting
13		2C-2024		1	SPACER, Flg., M20
14		2F-0323		1	BOLT, Hex, M20 x 50 CI 10.9
15		2H-0060		1	FITTING, Grease, 1/8"-27 PTF Short
16	1	2J-0017		1	SEAL, Mechanical Face
17		2B-0119		2	BUSHING, PT, 70 x 75 x 80 mm Long
18		NSS		2	SCREW, Hex Socket, M12 x 30
19		NSS		2	PIN, Connection
20		NSS		1	DOGHOUSE, Mid-roller

1 - For Special Tooling use p/n 2P-0020 Seal Installation Tool available from Camoplast.

# Carrier Assembly



CP0959

**TRAILED TRACK SYSTEM 80 & 100 SERIES**  
**(INCLUDES 80-3013)**

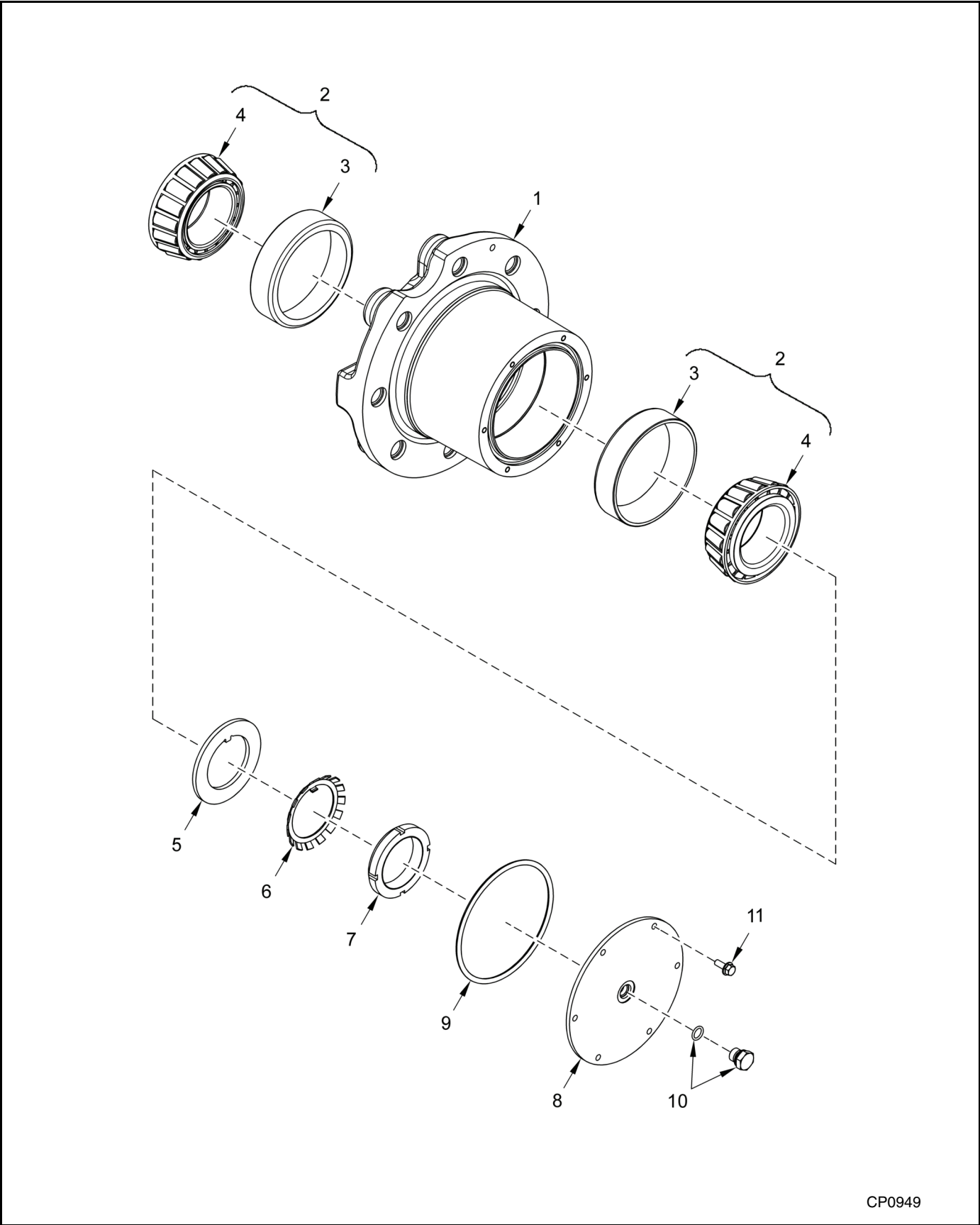
**Carrier Assembly**

(2A-0931)

Ref.	FN	Part Number	TTS Series	Qty.	Description
		2A-0931-101		1	CARRIER ASSY., Roller, Includes items 1 - 11
1		2C-2046-101		1	AXLE, Carrier Roller
2		2J-0120		2	SEAL, Grease
3		2A-0932-101		2	HUB, Roller Carrier, Includes 6 & 9
4		2A-1064-100		2	BEARING SERVICE SET., Inner, Includes items 5 & 6
5		NSS		2	BEARING, Roller, Cone
6		NSS		2	BEARING, Roller, Cup
7		2A-1065-100		2	BEARING SERVICE SET., Outer, Includes items 8 & 9
8		NSS		2	BEARING, Roller, Cone
9		NSS		2	BEARING, Roller, Cup
10		2C-2080		2	WASHER, Tongue, #06
11		2F-0247		2	WASHER, Lock
12	1	2F-0246		2	NUT, Lock
13		2M-0024-101		2	CAP, Hub
14		2F-0005		10	BOLT, Hex, M12 x 1.75 x 30 Cl 10.9
15		2F-0265		10	WASHER, Flat

1 - For Special Tooling use p/n 2P-0022 Bearing Locknut Tool available from Camoplast.

Hub - Idler



CP0949



**TRAILED TRACK SYSTEM 80 & 100 SERIES**  
(INCLUDES 80-3013)

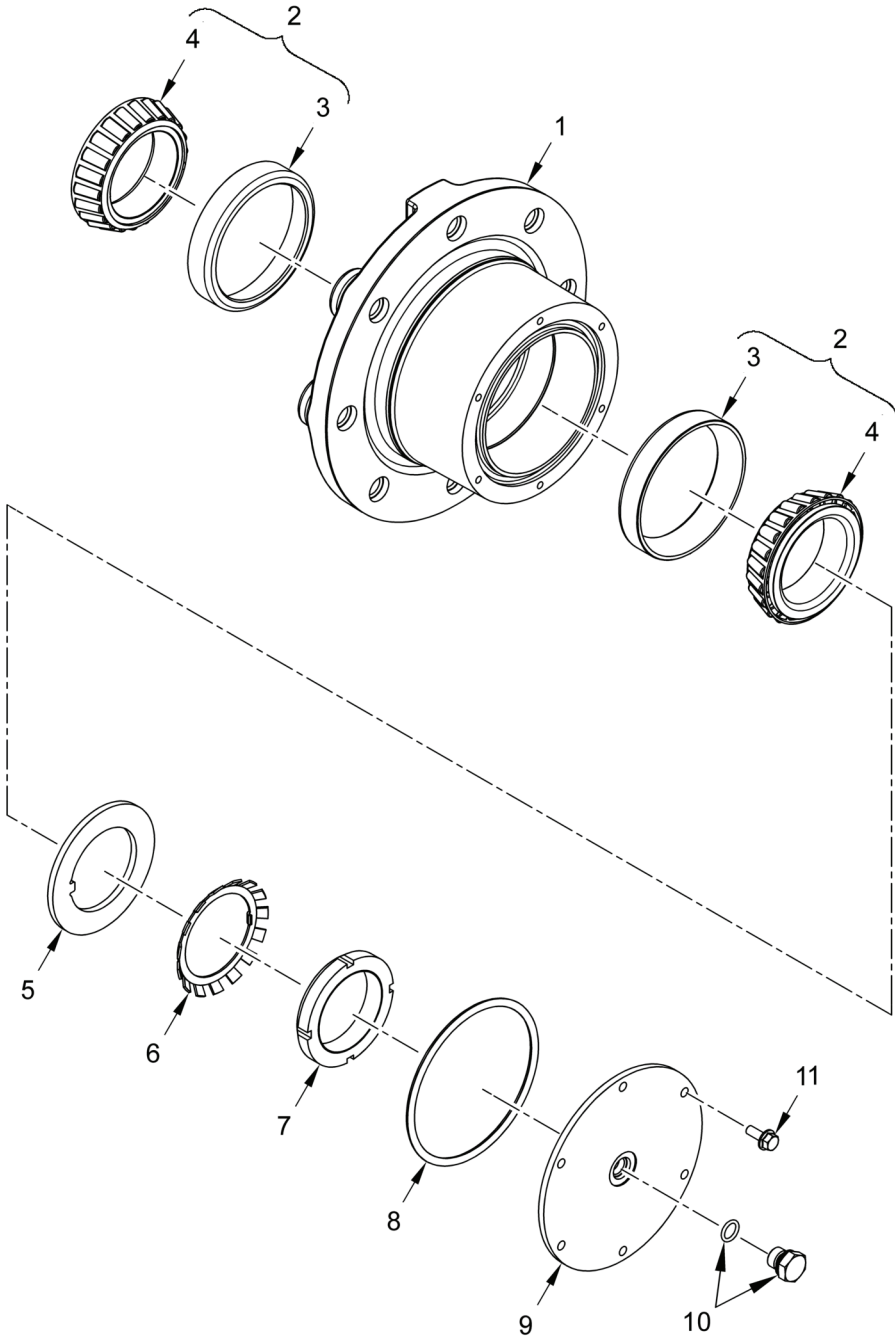
**Hub - Idler**

(2A-0922 & 2A-0924)

Ref.	FN	Part Number	TTS Series	Qty.	Description
1		2C-2013-101		1	HUB, Idler
2		2A-1067-100		2	BEARING SERVICE SET, Idler, Includes items 3 & 4
3		NSS		1	BEARING, Roller, Cup
4		NSS		1	BEARING, Roller Cone
5		674012700		1	WASHER, Tongue
6		105023916		1	WASHER, Lock
7	1	105023915		1	NUT, Lock
8		2C-0196-101		1	COVER, Idler Hub
9		2J-0023		1	O-RING
10		2H-0159		1	PLUG
11		761301665		6	BOLT, Hex Flg., M6 x 16 Cl 10.9

1 - For Special Tooling use p/n 2P-0021 Bearing Locknut Socket available from Camoplast.

Hub - Mid-roller



CP0951

# TRAILED TRACK SYSTEM 80 & 100 SERIES (INCLUDES 80-3013)

## Hub - Mid-roller

(2A-0920)

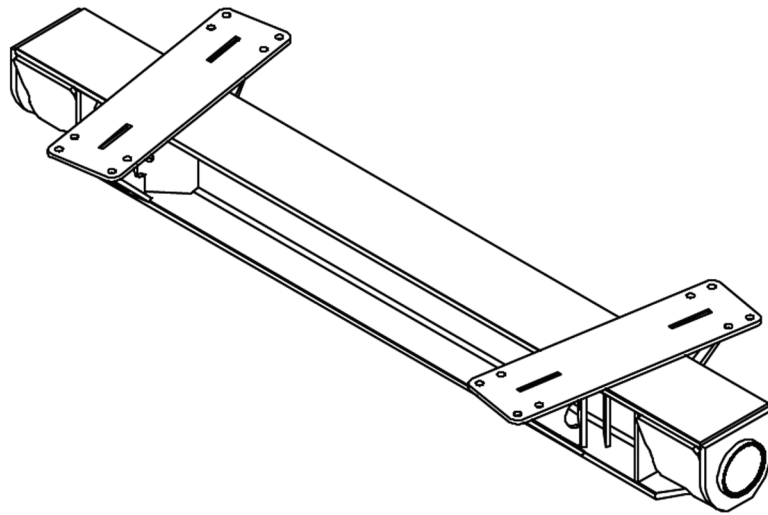
Ref.	FN	Part Number	TTS Series	Qty.	Description
1		2C-2013-101		1	HUB, Idler
2		2A-1066-100		2	BEARING SERVICE SET, Mid-roller, Includes items 3 & 4
3		NSS		1	BEARING, Roller, Cup
4		NSS		1	BEARING, Roller Cone
5		674012700		1	WASHER, Tongue
6		105023916		1	WASHER, Lock
7	1	105023915		1	NUT, Lock
8		2C-0196-101		1	COVER, Idler Hub
9		2J-0023		1	O-RING
10		2H-0159		1	PLUG
11		761301665		6	BOLT, Hex Flg., M6 x 16 Cl 10.9

1 - For Special Tooling use p/n 2P-0021 Bearing Locknut Socket available from Camoplast.

# Axles

## Straight I-Beam

1



CP0972

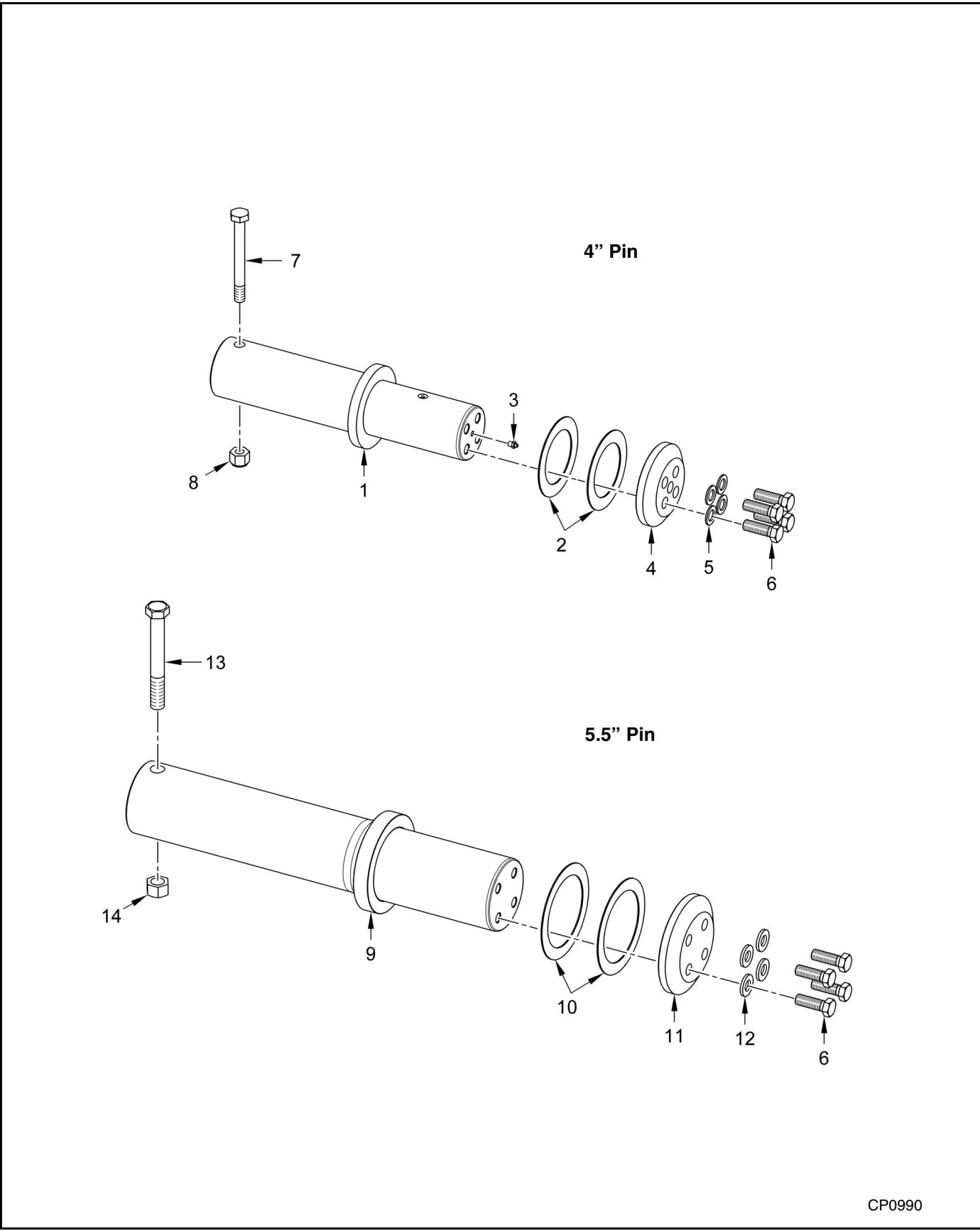
# FITMENT KITS

## Axles

Ref.	FN	Part Number	TTS Series	Track Gauge (in.)	Axle Pin Diameter (in.)	Serialized	Mounting Type	Description
1		2C-1420	70 Series	87	4.5	No	Weld On	Straight I-Beam Axle
		2C-1554	70 Series	104	4.5	No	Bolt On	Straight I-Beam Axle
		2C-1575	70 Series	115	4.5	No	Bolt On	Straight I-Beam Axle
		2A-1030-100	70 Series	123	4.5	No	Bolt On	Straight I-Beam Axle
		2A-1029-100	70 Series	123	4.5	No	Bolt On	Straight I-Beam Axle
		2C-1564	70 Series	128	4.5	No	Bolt On	Straight I-Beam Axle
		2C-1572	100 Series	93	5.5	No	Weld On	Straight I-Beam Axle
		2C-1501	100 Series	104	5.5	No	Bolt On	Straight I-Beam Axle
		2A-0790	100 Series	106	5.5	Yes	Bolt On	Straight I-Beam Axle
		2C-1294	100 Series	118	5.5	No	Weld On	Straight I-Beam Axle
		2A-1032-100	100 Series	116	5.5	Yes	Bolt On	Straight I-Beam Axle
		2C-1506	100 Series	120	5.5	No	Weld On	Straight I-Beam Axle
		2C-1528	100 Series	120	5.5	No	Bolt On	Straight I-Beam Axle
		2A-1031-100	100 Series	126	5.5	Yes	Bolt On	Straight I-Beam Axle
		2C-1205	100 Series	160	5.5	No	Bolt On	Straight I-Beam Axle
	2C-1522	100 Series	160	5.5	No	Bolt On	Straight I-Beam Axle	

**NOTE: Axle shown is representative of the axle design. Actual axle may vary from the illustration.**

# 4" & 5.5" Straight Pins



CP0990

## FITMENT KITS

### 4" & 5.5" Straight Pins

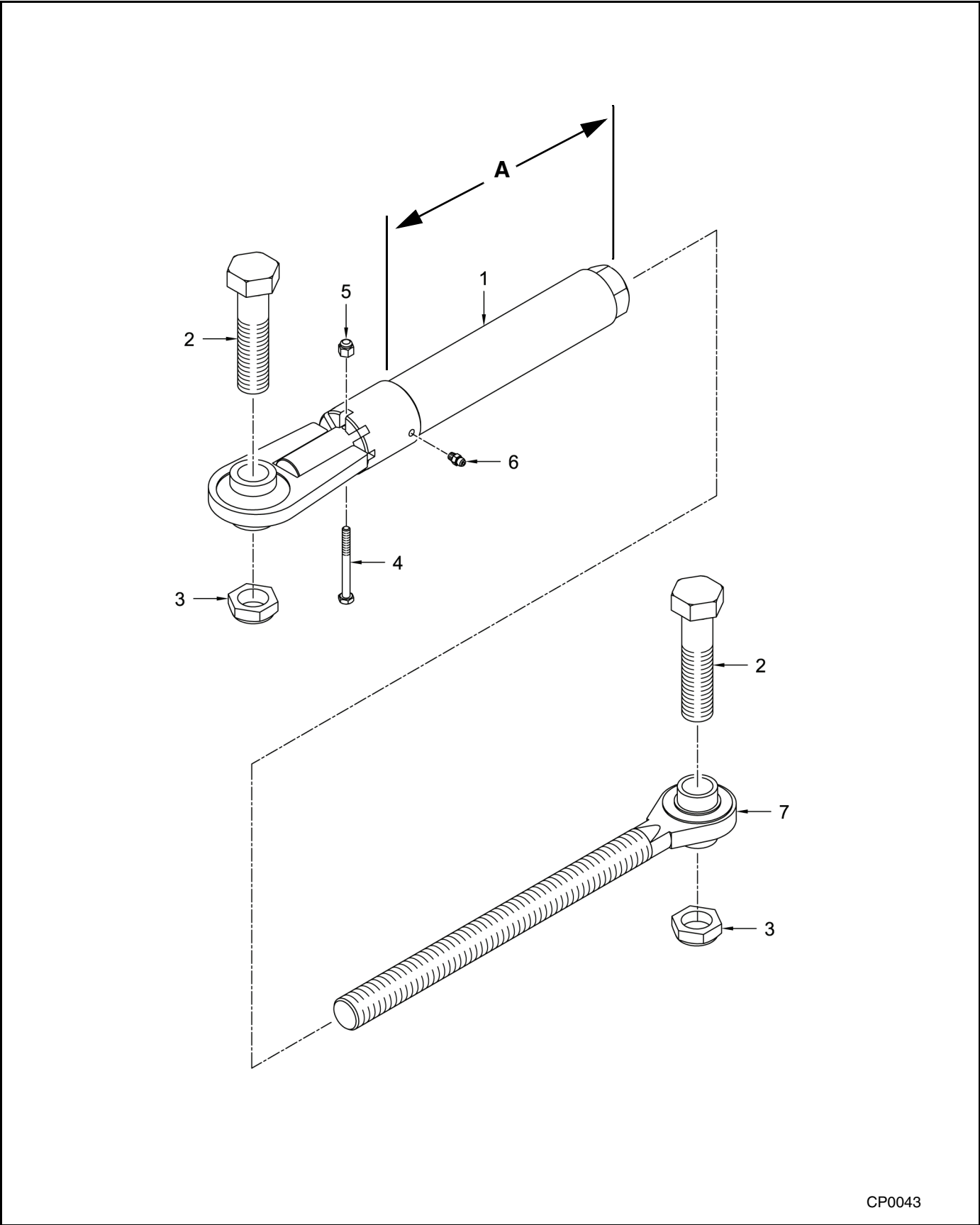
(2A-0962 & 2A-0935)

Ref.	FN	Part Number	TTS Series	Qty.	Description
1	1	2A-0963-101		1	PIN, Main (Black)
2	1	2C-2168		2	WASHER, Thrust, 105 mm
3	1	2H-0060		1	FITTING, Grease, 1/8"-27 PTF short
4	1	2C-2169		1	CAP, End
5	1	224090131		4	WASHER, Flat, M20
6		2F-0107		4	BOLT, Hex, M20 x 60 CI 10.9
7	1	3F-0044		1	BOLT, Hex, 3/4"-10 UNC x 7" Gr 8
8	1	3F-0004		1	NUT, Lock, 3/4"-10 UNC
9	2	2A-0936-101		1	PIN, Main (Black)
10	2	2C-2034		2	WASHER, Thrust, 140 mm
11	2	2C-2049		1	CAP, End, 140 mm
12	2	224091351		4	WASHER, Flat, 21.4" x 42" x 5"
13	2	3F-0015		1	BOLT, Hex, 1"-8 UNC x 8" Gr 8
14	2	3F-0016		1	NUT, Lock, 1"-8 UNC

1 - 4" Pin (Pin is 4" diameter on UC side and 4.5" diameter on axle side)

2 - 5.5" Pin

6" & 9" Stabilizer Assemblies



CP0043



# FITMENT KITS

## 6" & 9" Stabilizer Assemblies

(2A-0585 & 2A-0587)

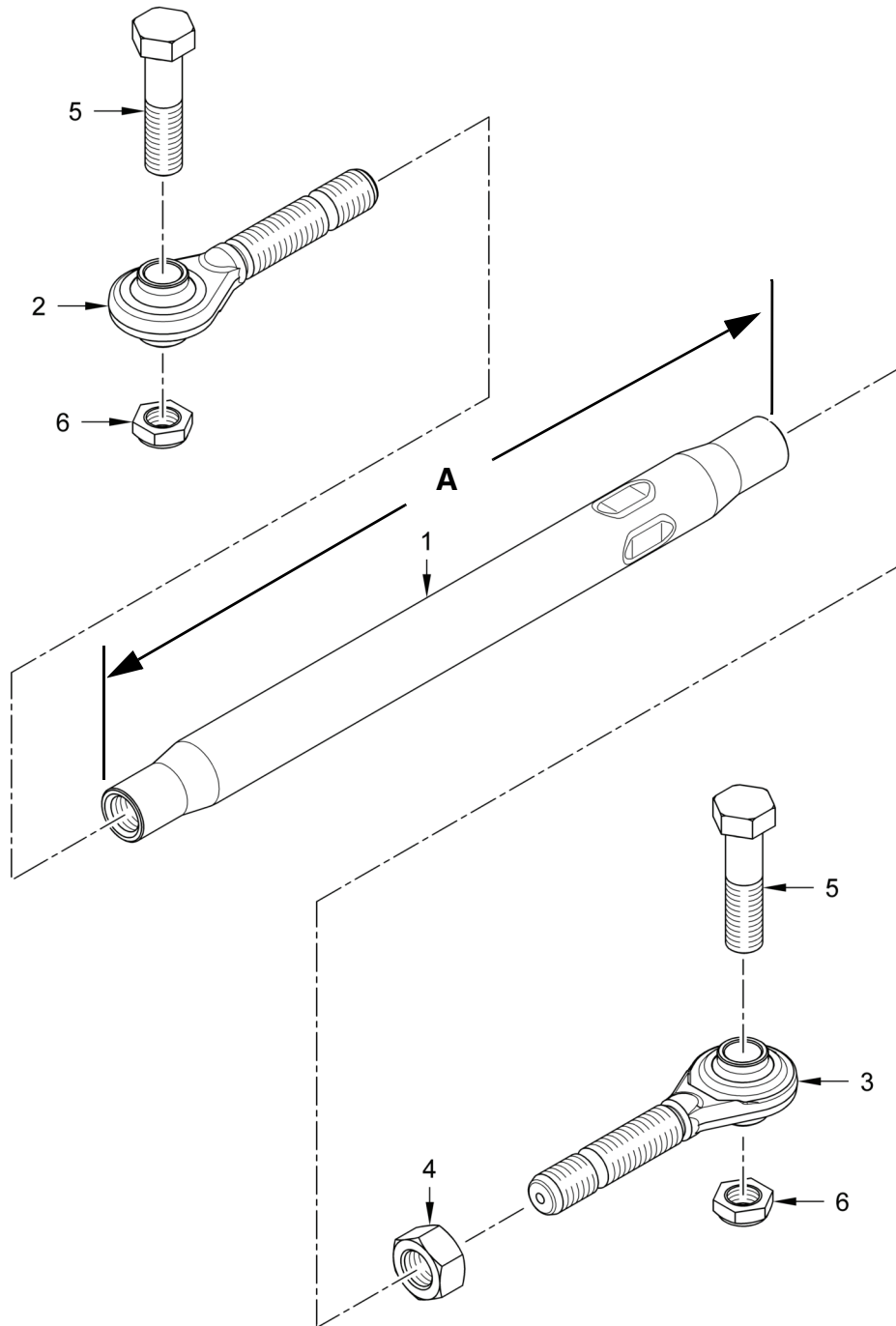
Ref.	FN	Part Number	TTS Series	Qty.	Description
1		2A-0529		1	TURNBUCKLE, 6" (Dimension A = 6")
		2A-0583		1	TURNBUCKLE, 9" (Dimension A = 9")
2		3F-0040		2	BOLT, Hex, 4" x 1"-4 UNC Gr 8
3		3F-0041		2	NUT, Jam, 1"-14 UNC Gr 8
4		3F-0042		1	BOLT, Hex, 2-3/4" x 1/4"-20 UNC Gr 8
5		3F-0043		1	NUT, Hex, Nylon, 1-1/4"-20 UNC Gr 8
6		96746854		1	FITTING, Grease, 1/4"-28 BSPT
7	1	2C-1003		2	LINK, Threaded
	2	2M-0027		2	LINK, Threaded

**Note:** A TTS undercarriage system uses multiple stabilizer assemblies to limit undercarriage rotation and to help spread the twisting loads around the pin and back into the center axle. Correct adjustments are critical to proper operation and to maintain track alignment. Make sure to reference your Owner's Manual for proper adjust procedures.

1 - Used with 6" Stabilizer

2 - Used with 9" Stabilizer

# 16.75" & 24" Stabilizer Assemblies



CP0991

# FITMENT KITS

## 16.75" & 24" Stabilizer Assemblies

(11STL625\_a1 & 11STL624\_a1)

Ref.	FN	Part Number	TTS Series	Qty.	Description
		2C-2249-100		1	STABILIZER ASSY., 16.75" (Dimension A = 16.75"), Includes 1 - 4
		2C-2235-100		1	STABILIZER ASSY., 24" (Dimension A = 24"), Includes 1 - 4
1		NSS		1	TUBE, Stabilizer
2		NSS		1	BOLT, Eye, LH, M30 x 3
3		NSS		1	BOLT, Eye, RH, M30 x 3
4		NSS		1	NUT, Hex, M30 x 3
5		3F-0040		2	BOLT, Hex, 4" x 1"-14 UNC Gr 8
6		3F-0041		2	NUT, Jam, 1"-14 UNC Gr 8

**Note:** A TTS undercarriage system uses multiple stabilizer assemblies to limit undercarriage rotation and to help spread the twisting loads around the pin and back into the center axle. Correct adjustments are critical to proper operation and to maintain track alignment. Make sure to reference your Owner's Manual for proper adjust procedures.





