



PARTS

CROP CARE SPRAYER

 **WIL-RICH**

PO Box 1030

Wahpeton, ND 58074

PH (701) 642-2621

Fax (701) 642-3372

WARRANTY

The only warranty Wil-Rich gives and the only warranty the dealer is authorized to give is as follows:

We warrant products sold by us to be in accordance with our published specifications or those specifications agreed to by us in writing at time of sale. Our obligation and liability under this warranty is expressly limited to repairing, or replacing, at our option, within 12 months after date of retail delivery, any product not meeting the specifications. ***We make no other warranty, express or implied and make no warranty of merchantability or of fitness for any particular purpose.*** Our obligation under the warranty shall not include any transportation charges or costs or installation or any liability for direct, indirect or consequential damage or delay. If requested by us, products or parts for which a warranty claim is made are to be returned transportation prepaid to our factory. Any improper use, operation beyond rated capacity, substitution of parts not approved by us, or any alteration or repair by others in such manner as in our judgment affects the product materially and adversely shall void this warranty. ***No employee or representative is authorized to change this warranty in any way or grant any other warranty.***

Wil-Rich reserves the right to make improvement changes on any of our products without notice.

When warranty limited or not applicable: Warranty on hoses, cylinders, hubs, spindles, engines, valves, pumps or other trade accessories are limited to the warranties made by the respective manufacturers of these components. Rubber tires and tubes are warranted directly by the respective tire manufacturer only, and not by Wil-Rich.

Warranty does not apply to any machine or part which has been repaired or altered in any way so as in our judgment to affect its reliability, or which has been subject to misuse, negligence or accident.

A Warranty Validation and Delivery Report Form must be filled out and received by Wil-Rich to initiate the warranty coverage.

WARRANTY CLAIMS PROCEDURE

1. The warranty form must be returned to Wil-Rich within fifteen (15) working days from the repair date.
2. Parts returned to Wil-Rich without authorization will be refused. The parts must be retained at the dealership for ninety (90) days after the claim has been filed. If the Service Department would like to inspect the parts, a packing slip will be mailed to the dealer. The packing slip must be returned with the parts. The parts must be returned prepaid within thirty (30) days of receiving authorization. After the parts are inspected and warranty is verified, credit for the return freight will be issued to the dealer.
3. Parts that will be scrapped at the dealership will be inspected by a Wil-Rich Sales Representative, District Sales Manager or Service Representative within the ninety (90) day retaining period.

Orientation

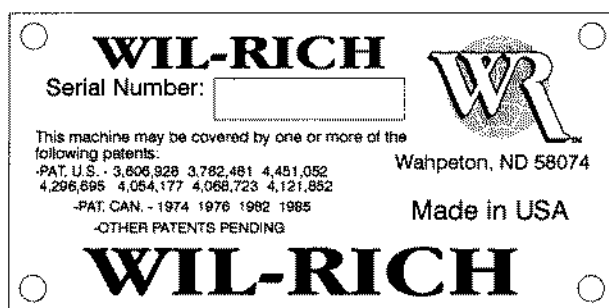
Any reference to left (L) or right (R) sides or components is to be understood as being viewed from behind the implement and looking forward.

Serial Number Break

Every implement has a serial number located on the frame. These serial numbers are consecutively assigned to the implements as they are manufactured. To aid in part ordering, we reference to the serial number at the point the change occurred to provide an accurate means of determining the proper parts. See contents graphic, page 3, for location.

Modifications

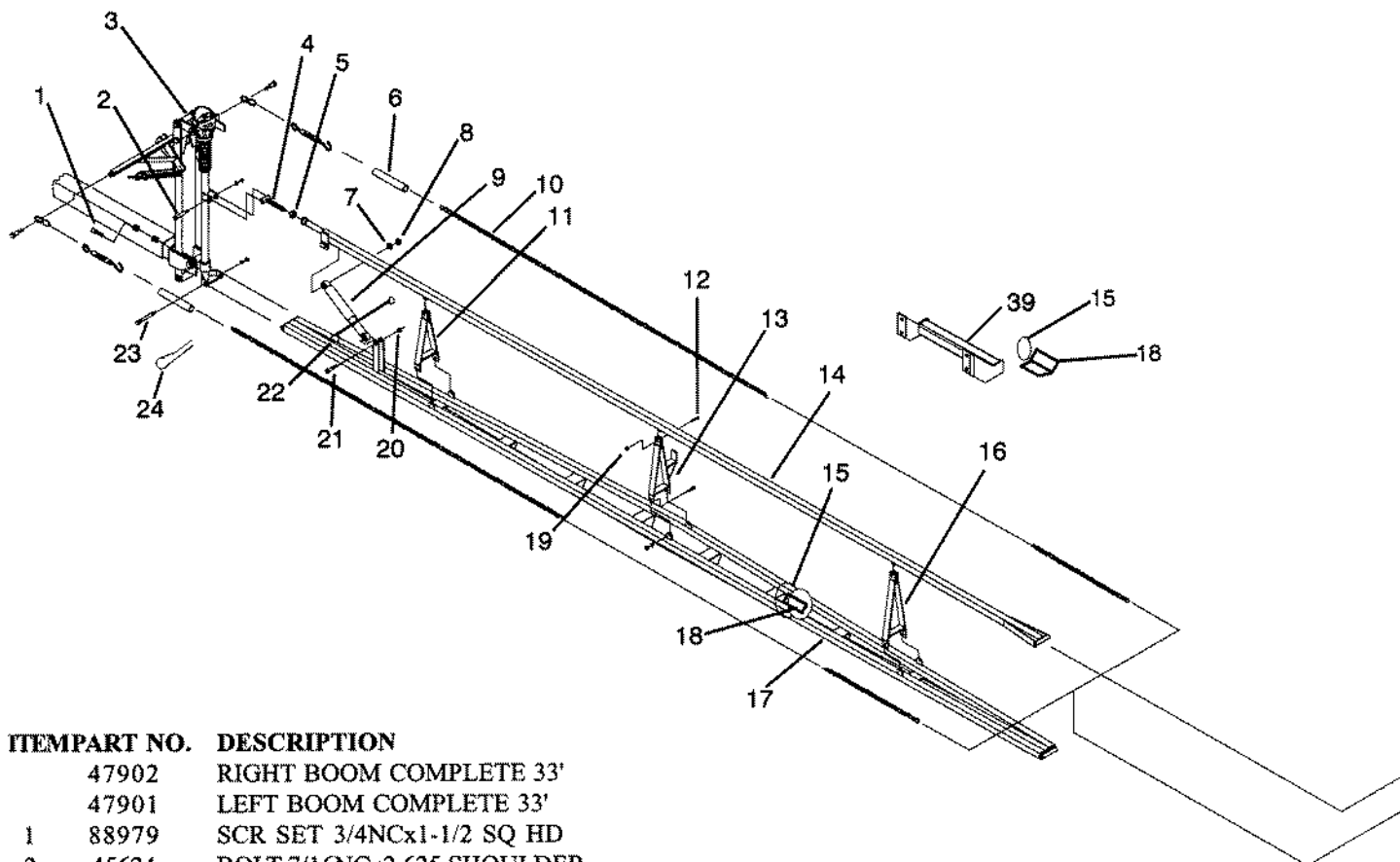
It is the policy of WIL-RICH Operations to improve its products whenever possible and practical to do so. We reserve the right to make changes, improvements, and modifications at any time without incurring the obligation to make such changes, improvements and modifications on any equipment sold previously.



Contents

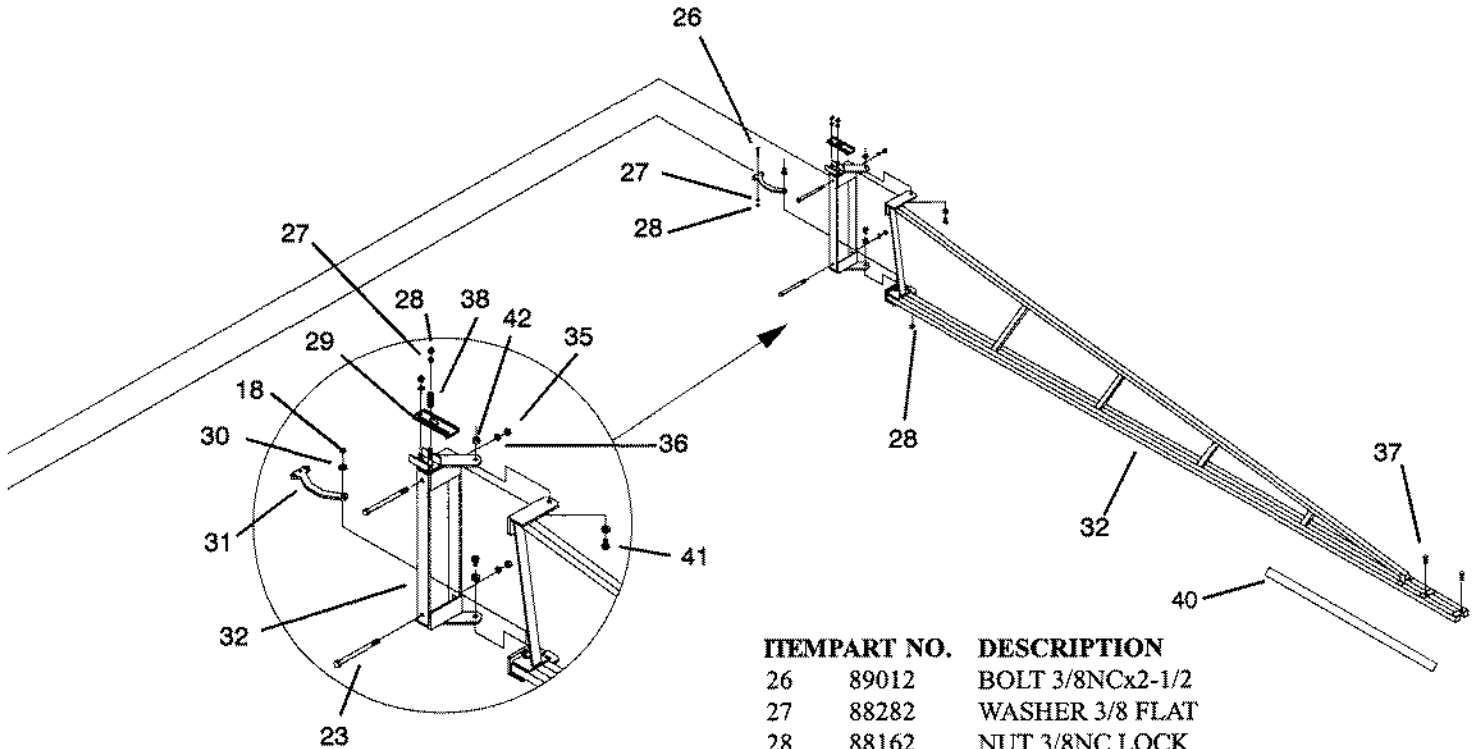
INNER BOOM	4
OUTER BOOM	5
BOOM POST ASSY	6
TANK CRADLE	7
SPRAYER HEIGHT ADJUST	8
HYD TILT	9
HYDRAULICS	10
MAIN FRAME	11
AXLE	12
HUB & SPINDLE	13
TANK & RINSE TANK	14
NOZZLE/DRY BOOM ASSY	15
CHEMICAL INDUCTOR	16 & 17
FOAM MARKER	18
TEEJET PLUMBING	19
RAVEN PLUMBING	20
TEEJET BALL VALVE (MANIFOLD)	21
HYRPO PUMP	22
PTO SHAFT	23
TEEJET CONTROL BOX	24
TEEJET 744 CONTROL	25
RAVEN 440 CONTROL	26
RAVEN FLOWMETER	27
RAVEN CONTROL VALVE	28
TEEJET QJ363 VERSION C	29
TEEJET QJ363 PRIOR VERSION C	30
TEEJET SINGLE NOZZLES	31
NOZZLE BODY CAPS	32
DECALS	33 & 34

INNER BOOM



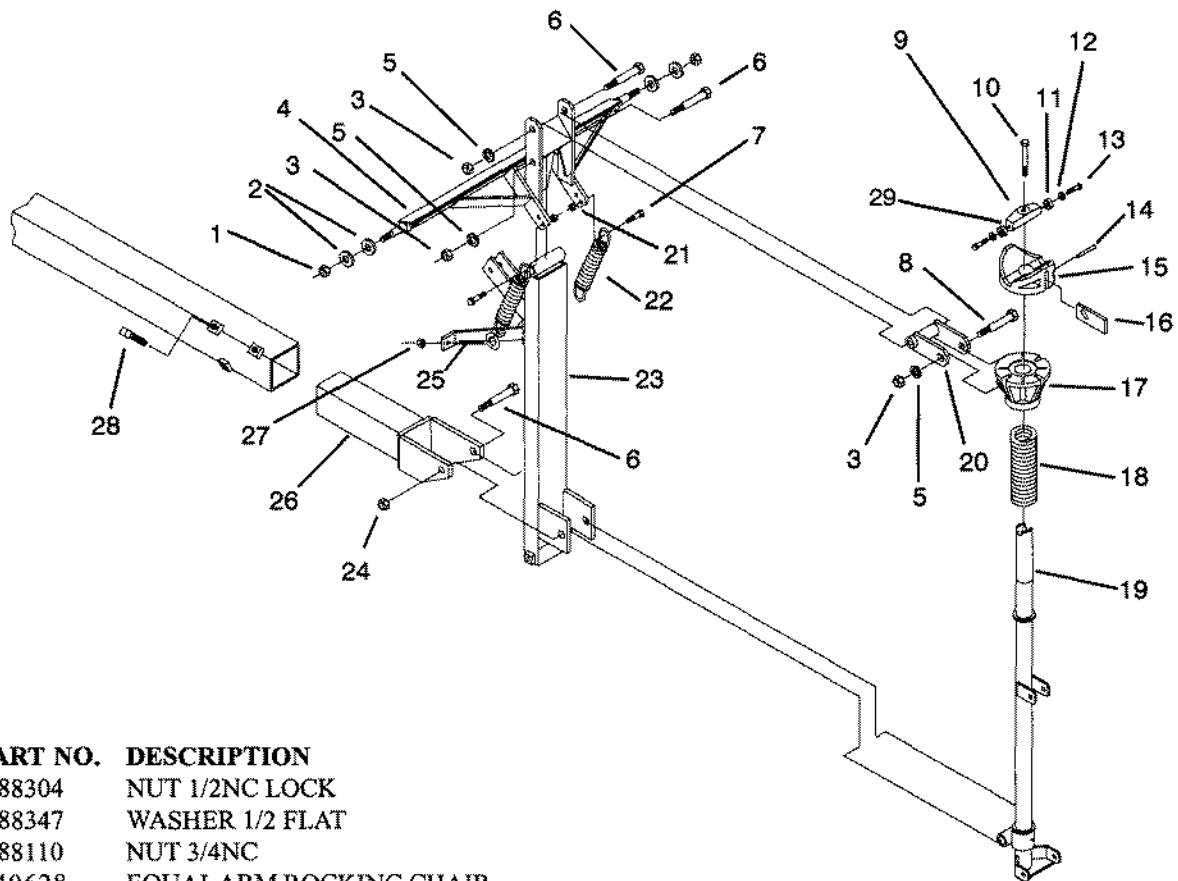
ITEM	PART NO.	DESCRIPTION
	47902	RIGHT BOOM COMPLETE 33'
	47901	LEFT BOOM COMPLETE 33'
1	88979	SCR SET 3/4NCx1-1/2 SQ HD
2	45624	BOLT 7/16NCx2.625 SHOULDER
3	49634	33' BOOM POST ASSEMBLY
4	50377	BOOM SHORTENER
5	88126	NUT HEX 5/8NC
6	53496	TUBING 1-1/8IDx1-1/4ODx1'
7	88277	WASHER 5/8 FLAT
8	88369	NUT 5/8NC LOCK
9	46364	SHOCK ABSORBER FOR BOOMS
10	47871	CHAIN ASSEMBLY (INCLUDES ITEMS 24&25)
11	47848	HANGER BRACKET #3
12	88478	BOLT 5/16NCx1
13	47847	HANGER BRACKET
14	47838	19' UPPER MAIN BOOM (INCLUDES ITEMS 4&5)
15	45740	HOSE CLAMP 2-1/4
16	47846	HANGER BRACKET
17	47836	19' LOWER MAIN BOOM
18	55745	BOOM TUBE PROTECTOR
19	88540	NUT 5/16NC LOCK
20	88363	NUT 1/2NC LOCK
21	88410	BOLT 1/2NCx2-1/2
22	44685	TARP STRAP
23	45625	BOLT 7/16NCx5.125 SHOULDER
24	23039	HAIR PIN .14x2.69

OUTER BOOM



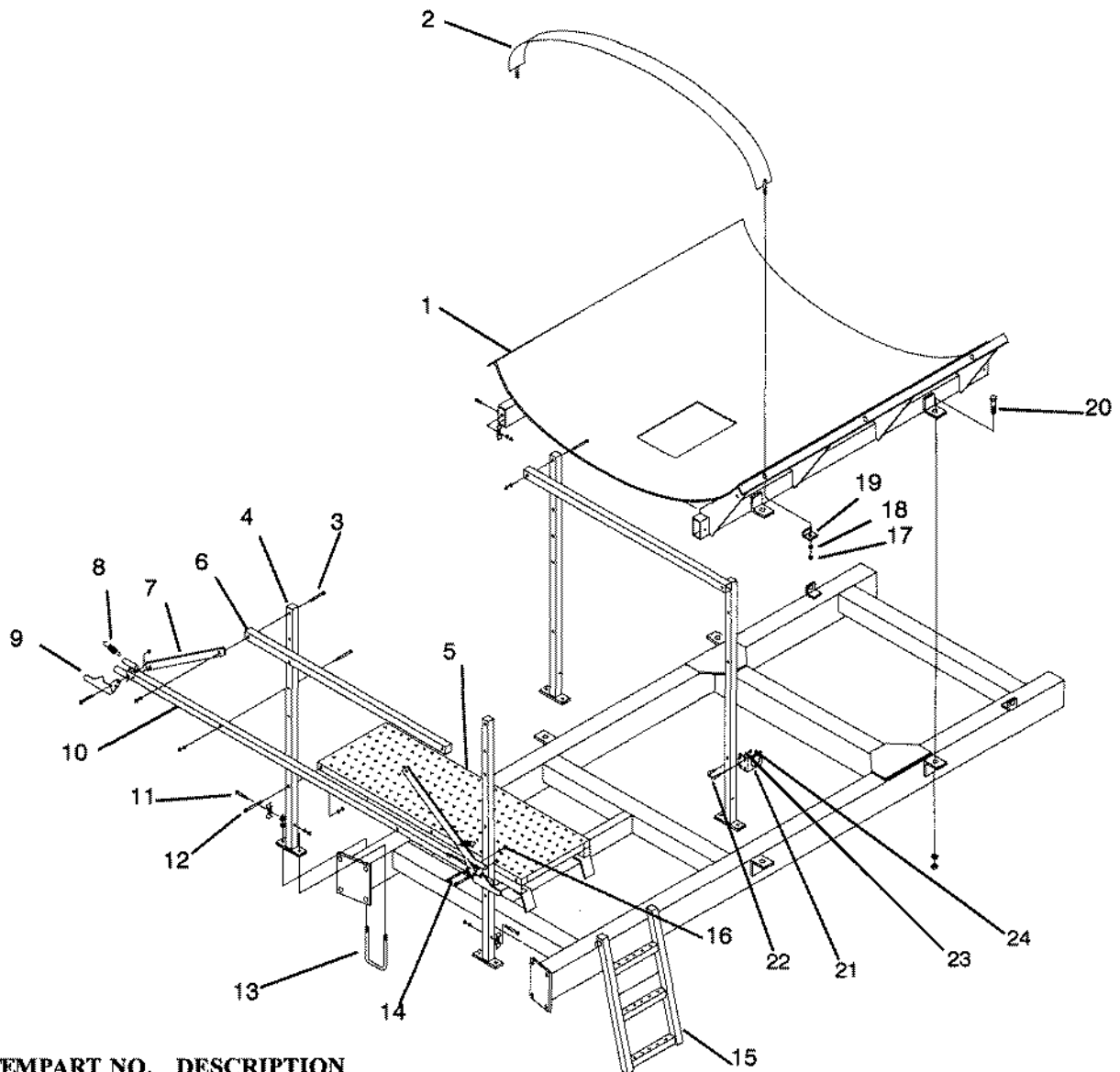
ITEM	PART NO.	DESCRIPTION
26	89012	BOLT 3/8NCx2-1/2
27	88282	WASHER 3/8 FLAT
28	88162	NUT 3/8NC LOCK
29	44878	OUTRIGGER BOOM RELEASE
30	88278	WASHER 5/16 FLAT
31	65080	RIGHT SPRING ARM
	65081	LEFT SPRING ARM
32	66176	RIGHT 14' OUTRIGGER
	66177	LEFT 14' OUTRIGGER (SHOWN) (INCLUDES ITEMS 27,28,29,33,34,37,38)
33	45620	1/2x1/2x3/8 SCK HD SHLD BOLT
34	46763	PUNCH OUT SPACER WASHER
35	88270	NUT 7/16NC
36	88269	WASHER 7/16 LOCK
37	88807	BOLT 5/16NCx3/4
38	46400	COMPRESSION SPRING
39	69188	MOUNT ASSEMBLY
	88165	U-BOLT 3/8NCx1-1/2x2-1/4
	88362	WASHER 3/8 LOCK
	88103	NUT 3/8NC
40	45161	EXT TUBE
41	47196	BOLT 5/8NCx1-1/4x1/2 SHOULDER
42	88363	NUT 1/2NC LOCK

BOOM POST ASSEMBLY



ITEM	PART NO.	DESCRIPTION
1	88304	NUT 1/2NC LOCK
2	88347	WASHER 1/2 FLAT
3	88110	NUT 3/4NC
4	49628	EQUAL ARM ROCKING CHAIR
5	88130	WASHER 3/4 LOCK
6	43040	BOLT 3/4NCx5.875 SHOULDER
7	45618	BOLT 1/2x1x3/8NC SHOULDER
8	45622	BOLT 3/4NCx4.150 SHOULDER
9	45165	RETAINER ANTI-SWING FOR BOOM (INCLUDES ITEMS 11-13 & 29)
10	88507	BOLT 1/2NCx3-1/2
11	45642	ANTI-SWING BEARING
12	88282	WASHER 3/8 FLAT
13	88555	BOLT 3/8NCx1-1/4
14	46275	ROLL PIN 1/4x1-1/8
15	45167	CLUTCH TOP ANTI-SWING
16	45158	ANT-SWING CLUTCH HANDLE
17	44871	ANTI-SWING CLUTCH BOTTOM ASSY
18	46390	SPRING 7-7/8" LONG
19	44860	POST
20	44785	SWIVEL MOUNTING BRACKET
21	88162	NUT 3/8NC LOCK
22	54302	EXTENSION SPRING
23	46736	BOOM SUPPORT ARM TUBE
24	88356	NUT 3/4NC LOCK
25	45636	EYE BOLT 3/8
26	44880	STUB
27	88103	NUT 3/8NC
28	88979	SET SCREW 3/4NCx1-1/2 SQ HD
29	45747	ANTI SWING CLUTCH RETAINER

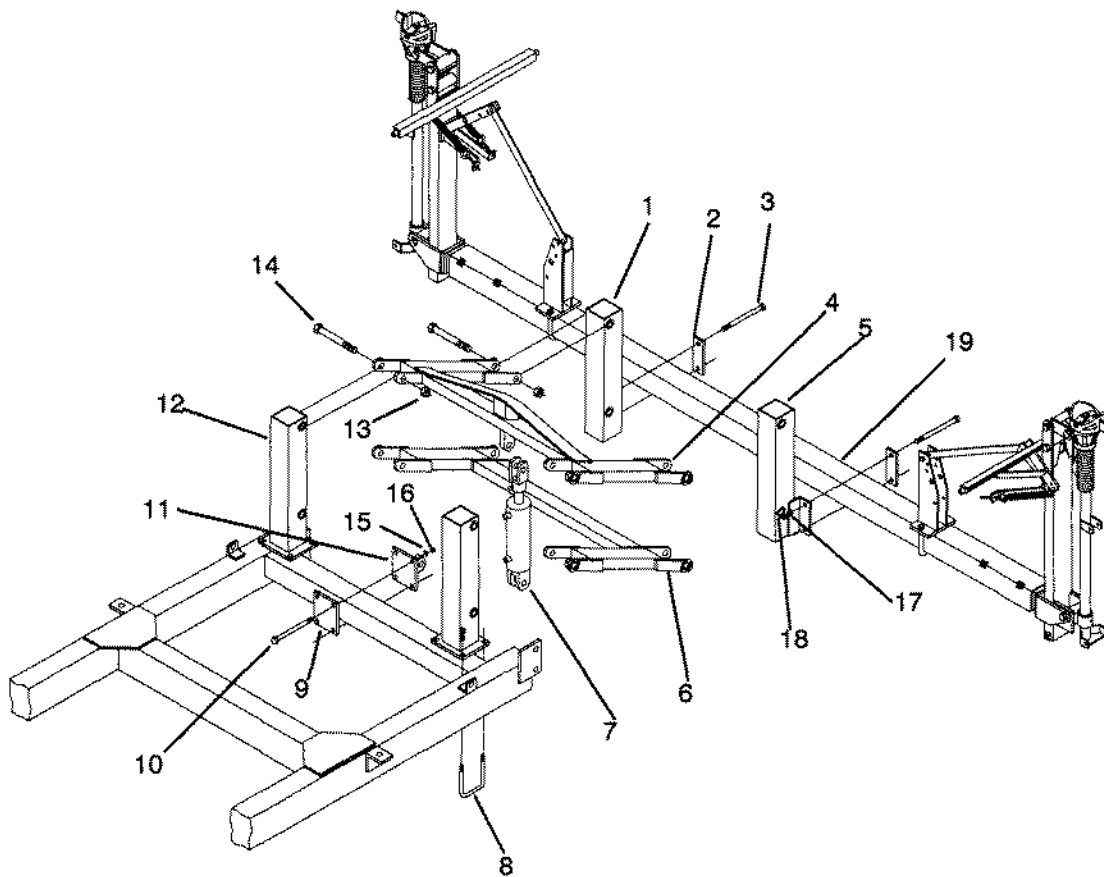
TANK CRADLE



ITEMPART NO.	DESCRIPTION
1	65071 1000 GAL CROPCARE SADDLE
2	65684 BAND
3	88412 BOLT 3/8NCx3-1/2
4	50927 LEG
5	50957 PLATFORM
	51505 BENT PIN 1/2x5-13/32
	15940 COMPRESSION SPRING
	51657 BUSHING 7/8ODx2-1/4
	88856 ROLL PIN 3/16x1-1/8
6	51248 BRACE TUBE
7	58368 FLAT SUPPORT
8	53311 EXTENSION SPRING
9	51250 HANDLE
	54290 HANDLE GRIP
10	58365 TUBE
	58366 LEFT PLATFORM ARM
	58367 RIGHT PLATFORM ARM

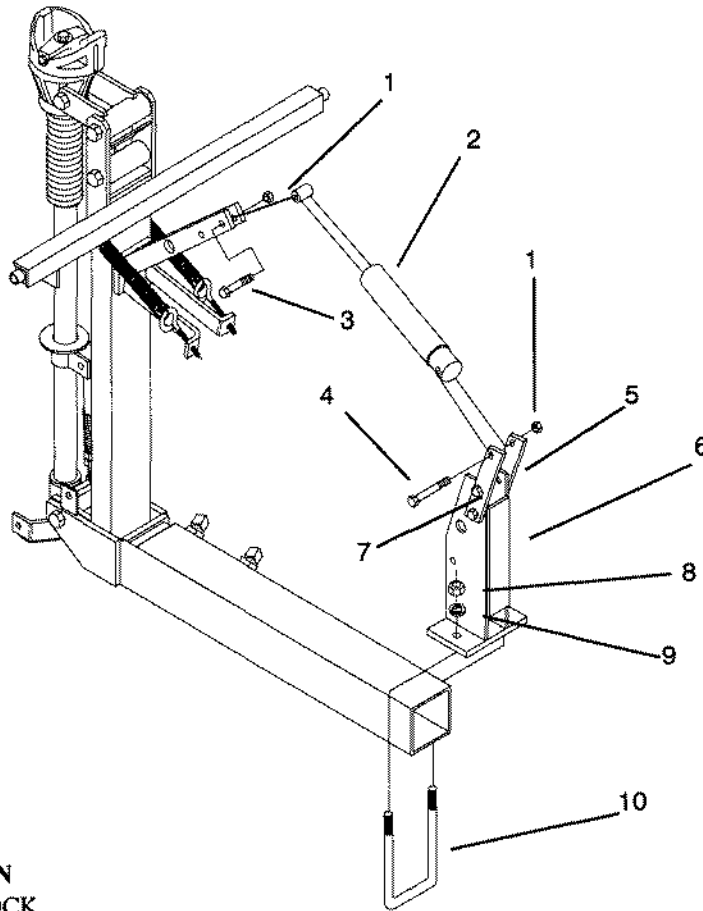
ITEMPART NO.	DESCRIPTION
11	89012 BOLT 3/8NCx2-1/2
12	88412 BOLT 3/8NCx3-1/2
13	89040 U-BOLT 3/8NCx4x6-1/2
14	89012 BOLT 3/8NCx2-1/2
15	50956 STEP LADDER
16	88162 NUT 3/8NC LOCK
17	88104 NUT 1/2NC
18	88303 WASHER 1/2 LOCK
19	45320 SADDLE BAND CLIP
20	88240 BOLT 3/4NCx2
21	55763 BRACKET BALL VALVE
22	88165 U-BOLT 3/8NCx1-1/2x2-1/4
23	88362 WASHER 3/8 LOCK
24	88103 NUT 3/8NC

SPRAYER HEIGHT ADJUSTMENT



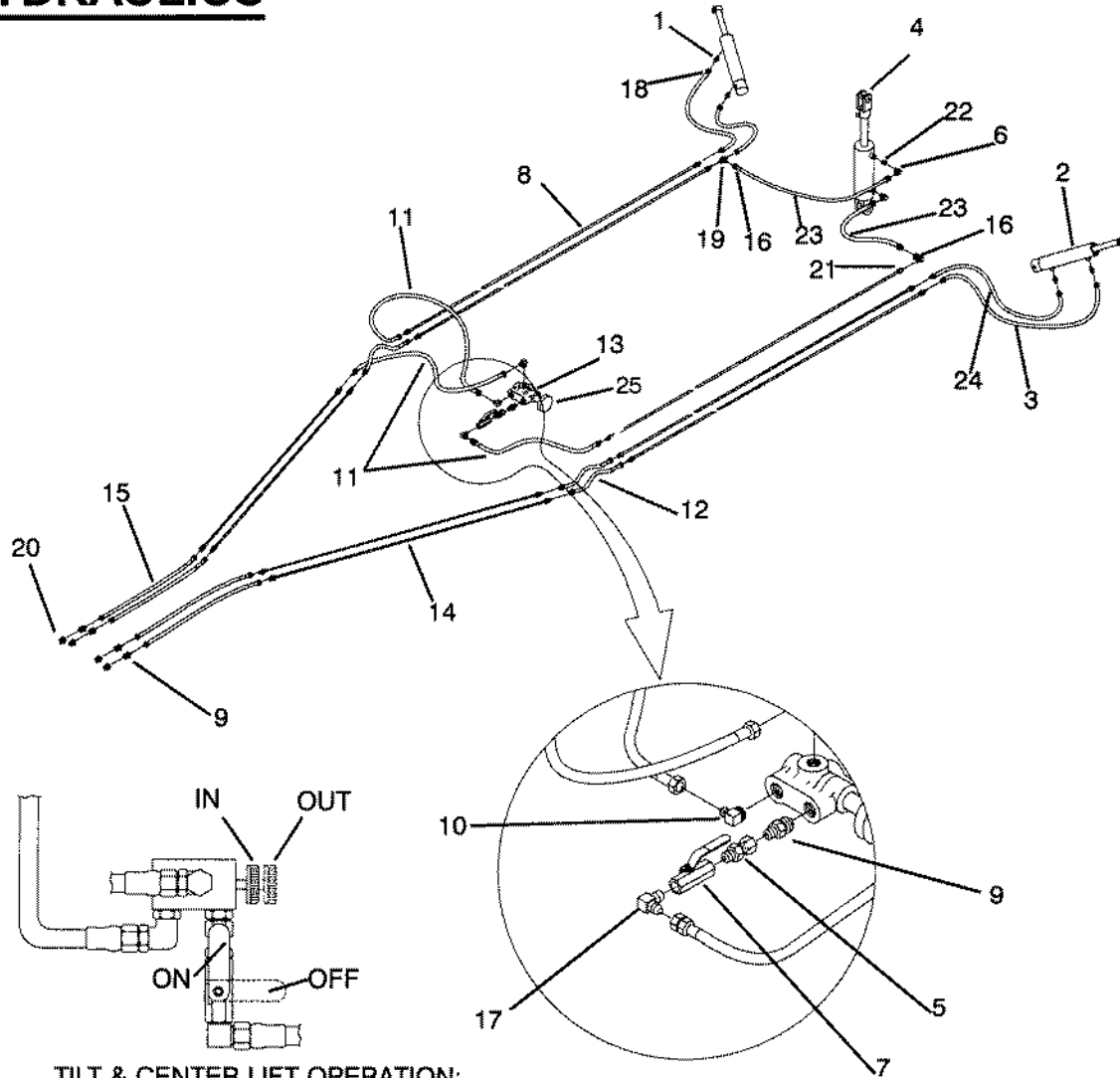
ITEM	PART NO.	DESCRIPTION
1	64482	RIGHT HYD LIFT POST
2	53419	STRAP
3	88293	BOLT 3/4NCx6
4	50954	UPPER PARALLEL ARM
5	64483	LEFT HYD LIFT POST
6	50955	LOWER PARALLEL ARM
7	51239	3x8 HYD CYLINDER
	15113	1-1/2 STOP COLLAR
	233842	SEAL KIT
8	45633	U-BOLT 5/8NCx4x5-1/2
9	53418	PLATE
10	88295	BOLT 5/8NCx6
11	50946	HYD CYLINDER MOUNTING
12	50945	HYD LIFT POST
13	88169	1NF LOCK NUT
14	53080	1NFx6-1/4 PIVOT BOLT
15	88129	WASHER 5/8 LOCK
16	88126	NUT 5/8NC
17	88130	WASHER 3/4 LOCK
18	88110	NUT 3/4NC
19	64244	HD 153" CENTER TUBE

HYDRAULIC TILT



ITEM	PART NO.	DESCRIPTION
1	88363	NUT 1/2NC LOCK
2	45752	HYDRAULIC BOOM LIFT CYLINDER
	61379	SEAL KIT
3	88541	BOLT 1/2NCx3
4	88507	BOLT 1/2NCx3-1/2
5	50018	EAR
6	44861	HYDRAULIC LIFT BRACKET
7	88554	BOLT 1/2NCx1-1/4
8	88126	NUT 5/8NC
9	88129	WASHER 5/8 LOCK
10	45633	U-BOLT 5/8NCx4x5-1/2

HYDRAULICS

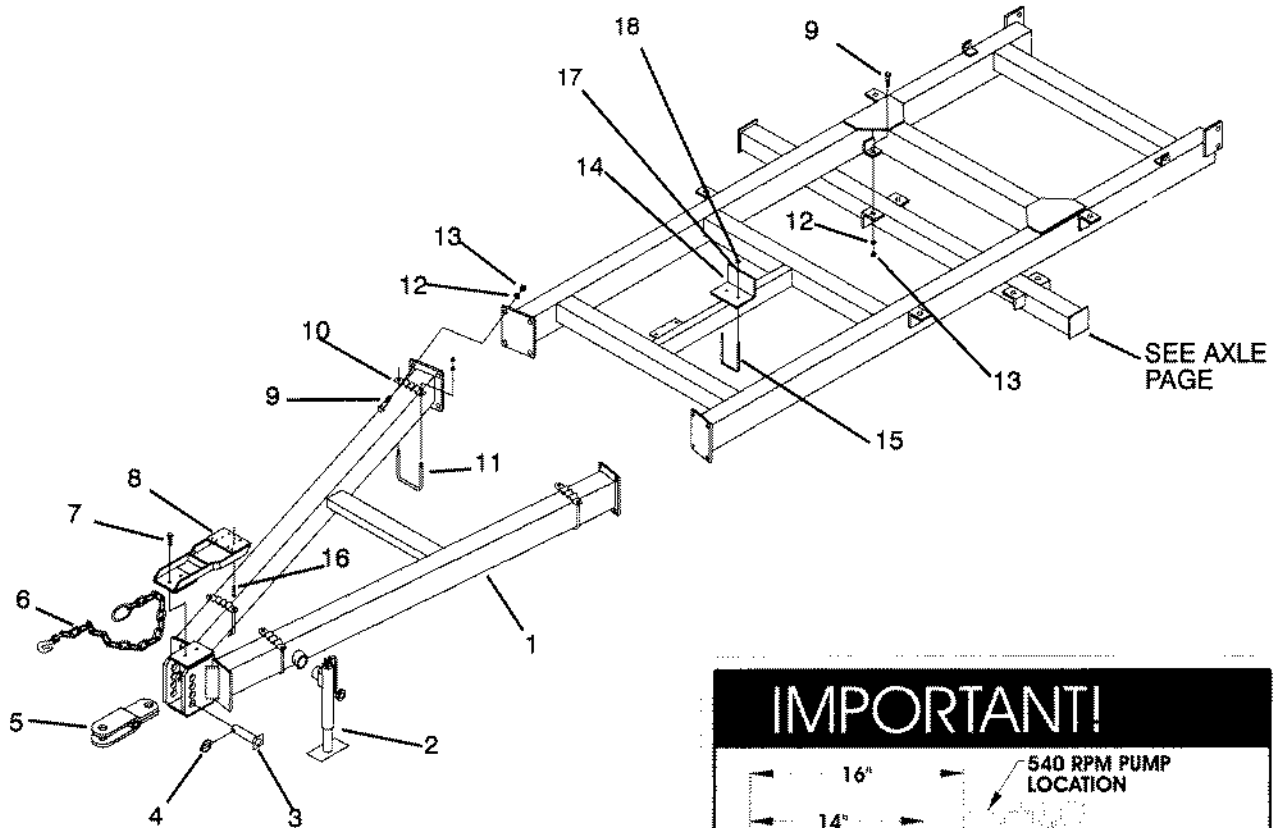


TILT & CENTER LIFT OPERATION:

1. For normal right boom tilt operation, push selector valve to the IN position and turn the ball valve to the OFF position.
2. For center boom lift operation, pull selector valve to the OUT position and turn the ball valve to the ON position.

ITEM	PART NO.	DESCRIPTION	ITEM	PART NO.	DESCRIPTION
1	14267	3/8 CYL PORT W/ RESTRICTOR	14	21037	72" 1/2" HYD TUBE (LONG POLE)
2	45752	HYD BOOM LIFT CYLINDER	15	13267	3/8x72 MF R1 JIC/JIC HYD HOSE
3	13265	HYD HOSE 3/8x56 FF R1 JIC/JIC	16	25591	3/4 JIC M-F SWIVEL ELBOW
4	51239F	T/L CYL 3x8 W/ SCREW STOP	17	13236	3/4JICx1/2NPT PORT ELBOW (MM)
5	51981	3/4JICx1/2NPT ADAPTER (MF)	18	13235	ELBOW 8MJx6MPT
6	222919	ELBOW 8MJx6FJX	19	13238	3/4NF JIC TUBE TEE
7	59240	1/2" HYD BALL VALVE	20	60640	QUICK DISCONNECT COUPLER
8	13253	120" 1/2" HYD TUBE	21	13239	UNION 8MJx8MJ
9	13234	3/4JICx1/2NPT COUPLER ADAPTER	22	222920	RESTRICTOR 6MORBx6FJX R.062
10	13236	3/4JICx1/2NPT PORT ELBOW	23	14644	3/8x36 FF JIC/JIC HYD HOSE
11	13263	3/8x36 MF R1 JIC/JIC HYD HOSE	24	56539	3/8x50 FF JIC/JIC HYD HOSE
12	15995	3/8x24 MM RR1 JIC/JIC HYD HOSE	25	236204	KNOB
13	10924	S-50 SELECTOR VALVE			

MAIN FRAME



ITEMPART NO.	DESCRIPTION
1	50389 LONG POLE (7')
2	24415 JACK
3	48059 HITCH PIN
4	32990 CLICK PIN
5	24874 CAT/CLEVIS PIN
6	24459 SAFETY CHAIN
7	88517 BOLT 1/2NCx1-3/4
8	58157 PUMP MOUNT
9	88290 BOLT 3/4NCx2
10	51246 HYD LINE BRACKET
11	88385 U-BOLT 3/8NCx4x4-3/4
12	88130 WASHER 3/4 LOCK
13	88110 NUT 3/4NC
14	59221 TANK STOP
15	89096 U-BOLT 1/2NCx2x5-1/4
16	89034 BOLT 3/8NCx1
17	88303 WASHER 1/2 LOCK
18	88104 NUT 1/2 NC

IMPORTANT!

16"
540 RPM PUMP LOCATION

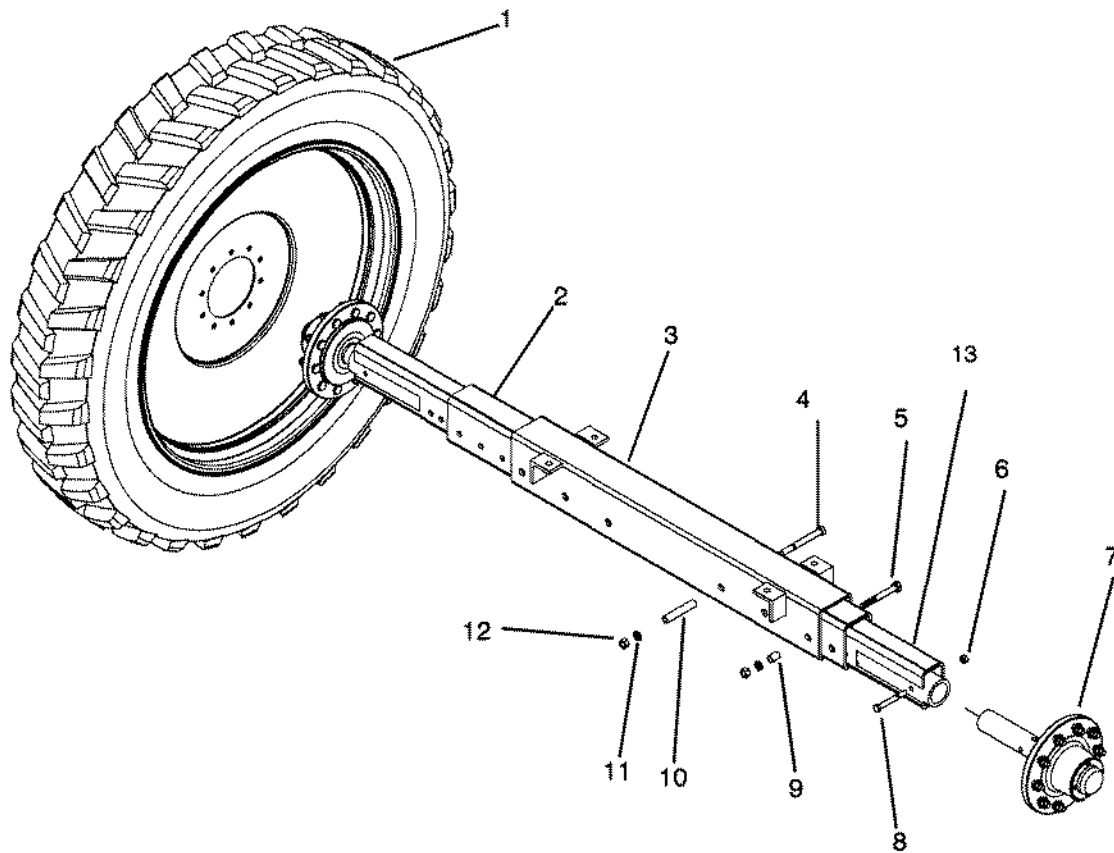
14"
1000 RPM PUMP LOCATION

HITCH POINT

NOTE: Best installation is attained when the distance from the tractor PTO to the hitch point is as close as possible to the above settings.

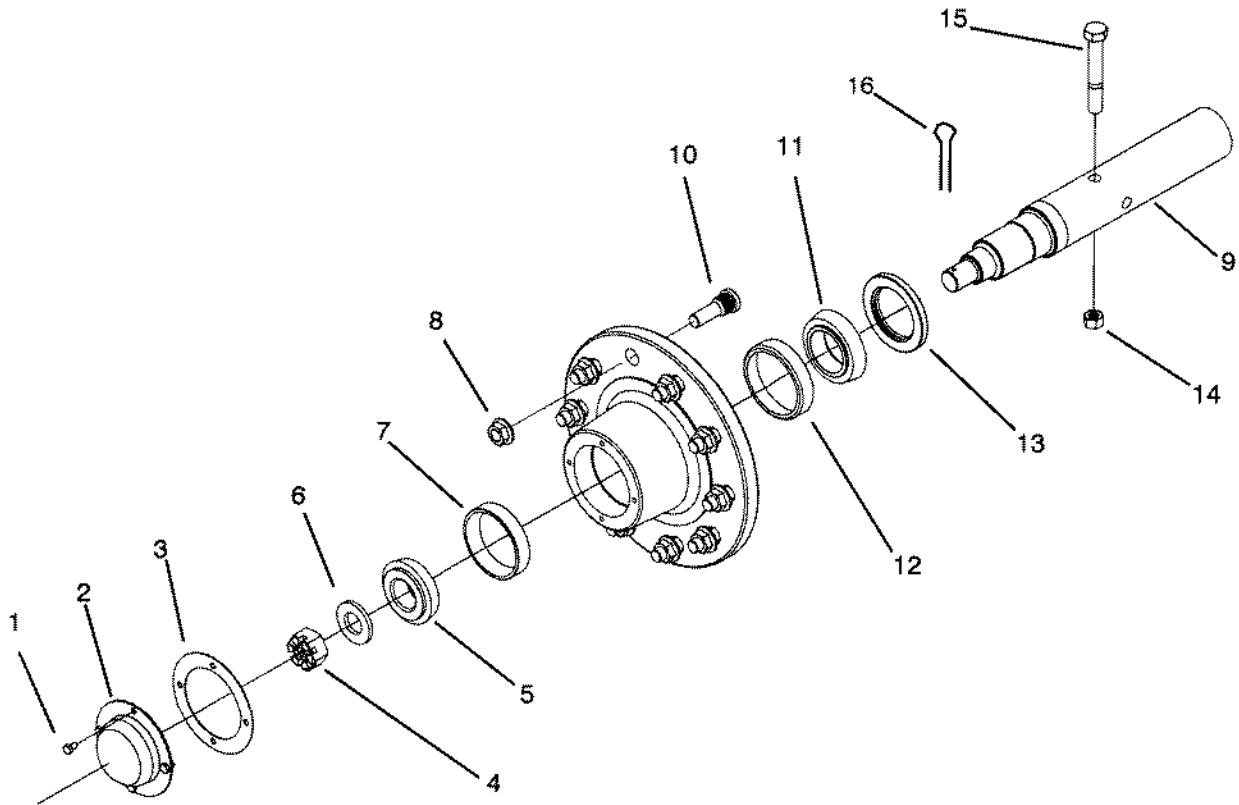
58544

AXLE



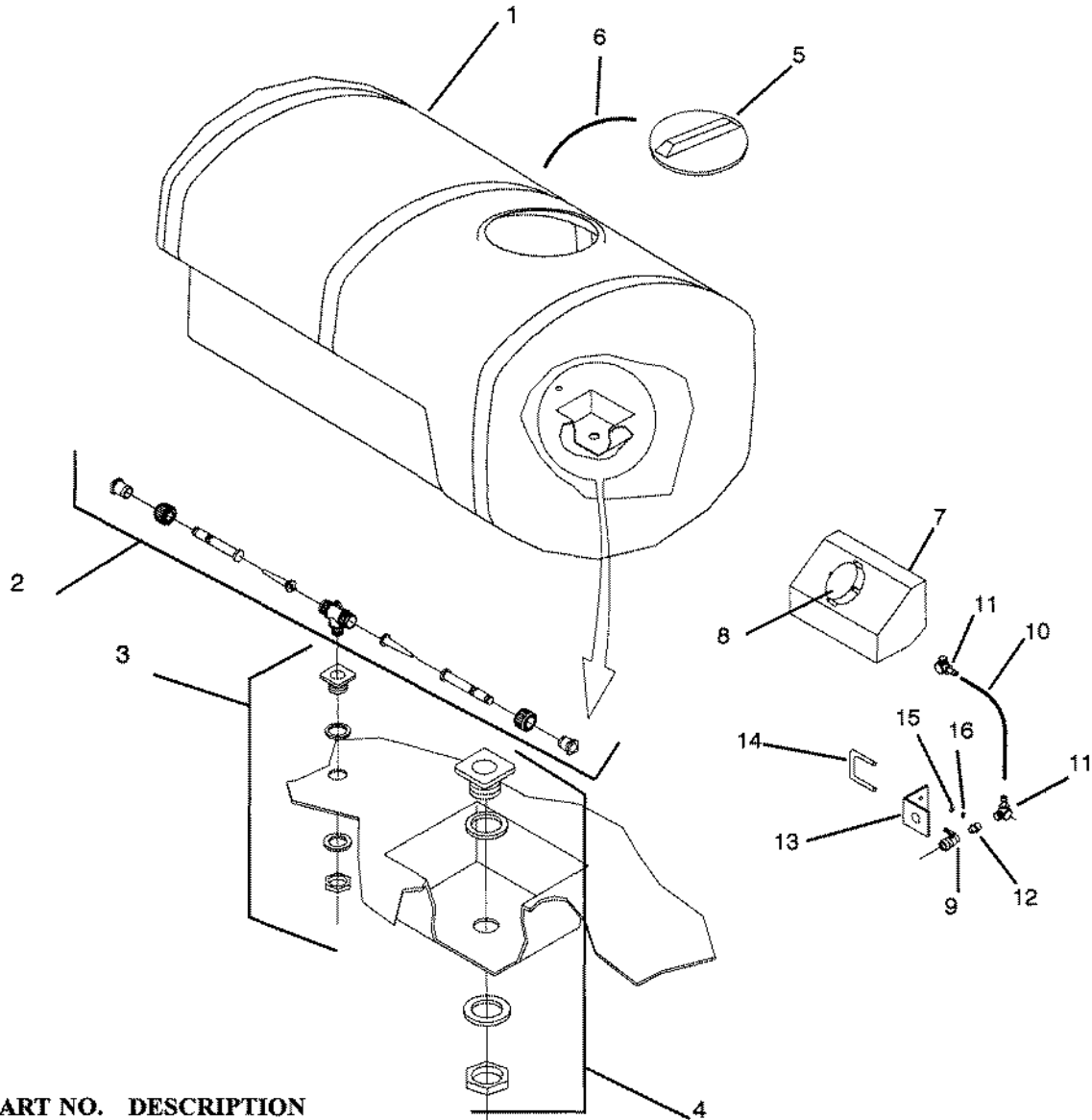
ITEM	PART NO.	DESCRIPTION
1	237415	TIRE & RIM ASSY LEFT HAND
	237416	TIRE & RIM ASSY RIGHT HAND
	236453	VALVE STEM
	237417	TIRE 230-95R 48
	237418	RIM 48xWS
2	64193	AXLE SLEEVE
3	64195	ADJUSTABLE AXLE MOUNT
4	88335	BOLT 3/4NCx7
5	88293	BOLT 3/4NCx6
6	88369	NUT 5/8NC LOCK
7	58309	3" HUB & SPINDLE ASSY
8	88395	BOLT 5/8NCx5
9	64190	BUSHING
10	64189	BUSHING
11	88130	WASHER 3/4 LOCK
12	88110	NUT 3/4NC
13	64199	SPINDLE MOUNT

10 BOLT HUB & SPINDLE



ITEM	PART NO.	DESCRIPTION
1	88539	BOLT 5/16NCx1/2
2	58381	DUST CAP
3	221424	DUST CAP SEAL
4	221427	SPINDLE NUT
5	58378	BEARING CUP 4.125 (453A)
6	221423	2.5ODx1.312IDx.25 WASHER
7	58380	BEARING CONE 1-3/4ID (460)
8	221425	3/4NF FLANGE NUT
9	58375	3 IN SPINDLE
10	58382	WHEEL BOLT
11	58379	BEARING CONE 2-1/2ID (39585)
12	58377	BEARING CUP 4.438OD (39520)
13	58383	GREASE SEAL
14	88369	NUT 5/8NC LOCK
15	88395	BOLT 5/8NCx5
16	88133	COTTER PIN 3/16x2

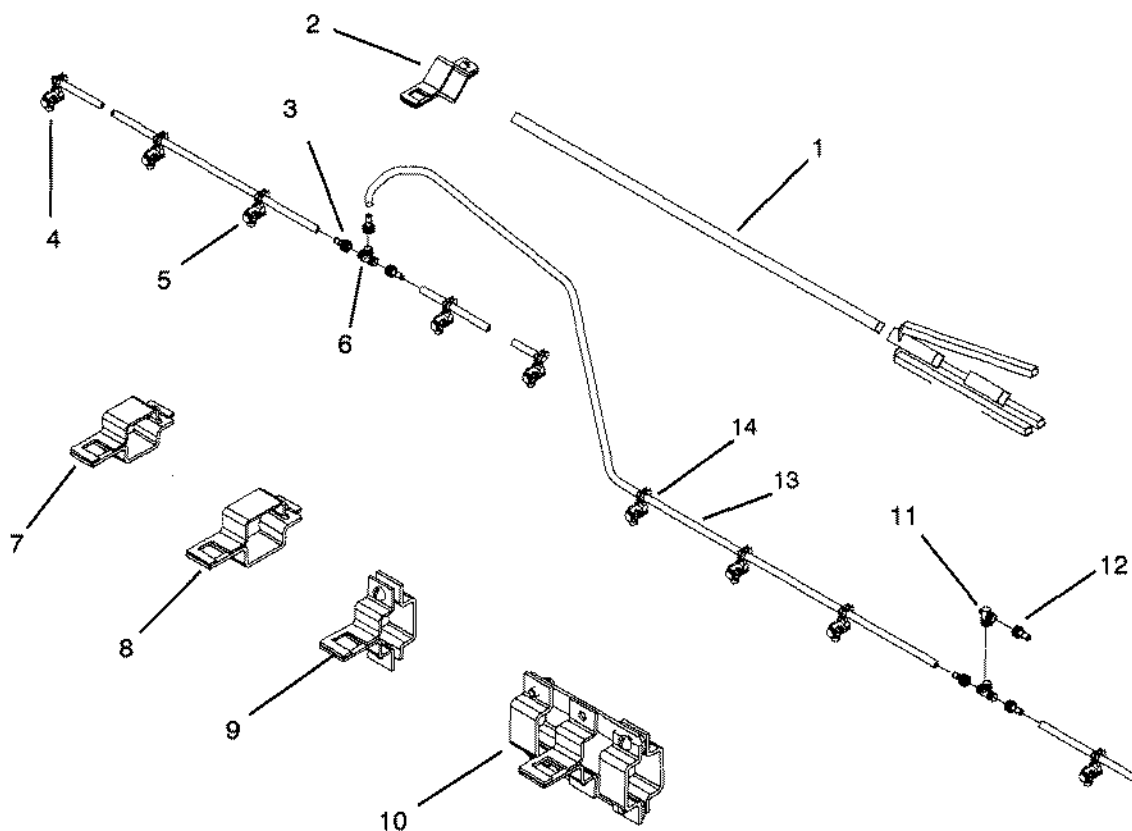
TANK & RINSE TANK



ITEMPART NO.	DESCRIPTION
1	65677 1000 GALLON TANK W/ FITTINGS
2	43643 DOUBLE AGITATOR ASSY
3	43387 3/4" NYLON BULKHEAD FITTING
4	43396 2" NYLON BULKHEAD ASSY
5	B112556 TANK LID
	B112112 INNER TANK COVER
	B112127 OUTER TANK COVER
	B112555 FILL WELL
6	238209 LAYNARD COVER TIE DOWN
7	223547 TANK 5 GALLON
8	236294 TANK LID
9	236293 DISPENSER FAUCET
10	98007 3/4 VINYL TUBE
11	46241 3/4MPTx3/4HB 90°
12	236924 3/4 COUPLING

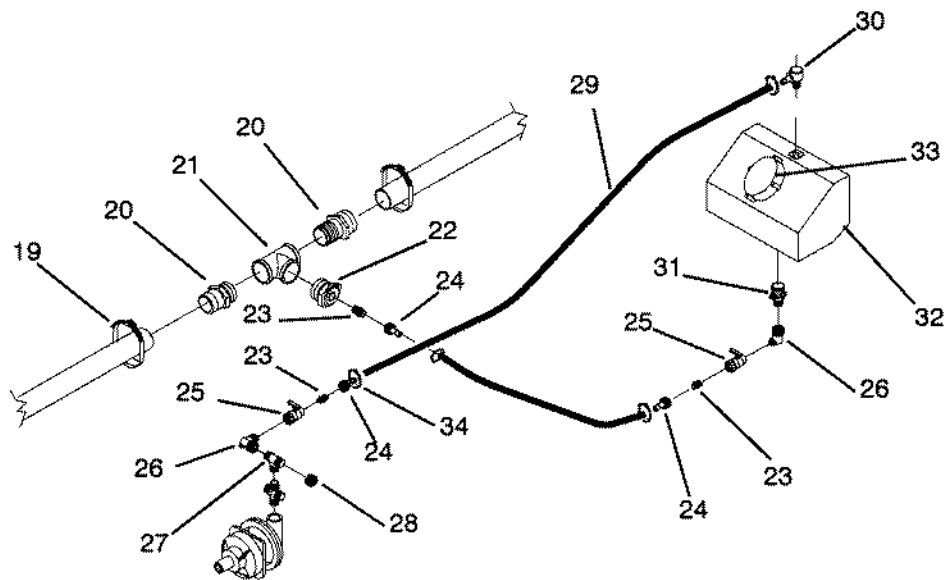
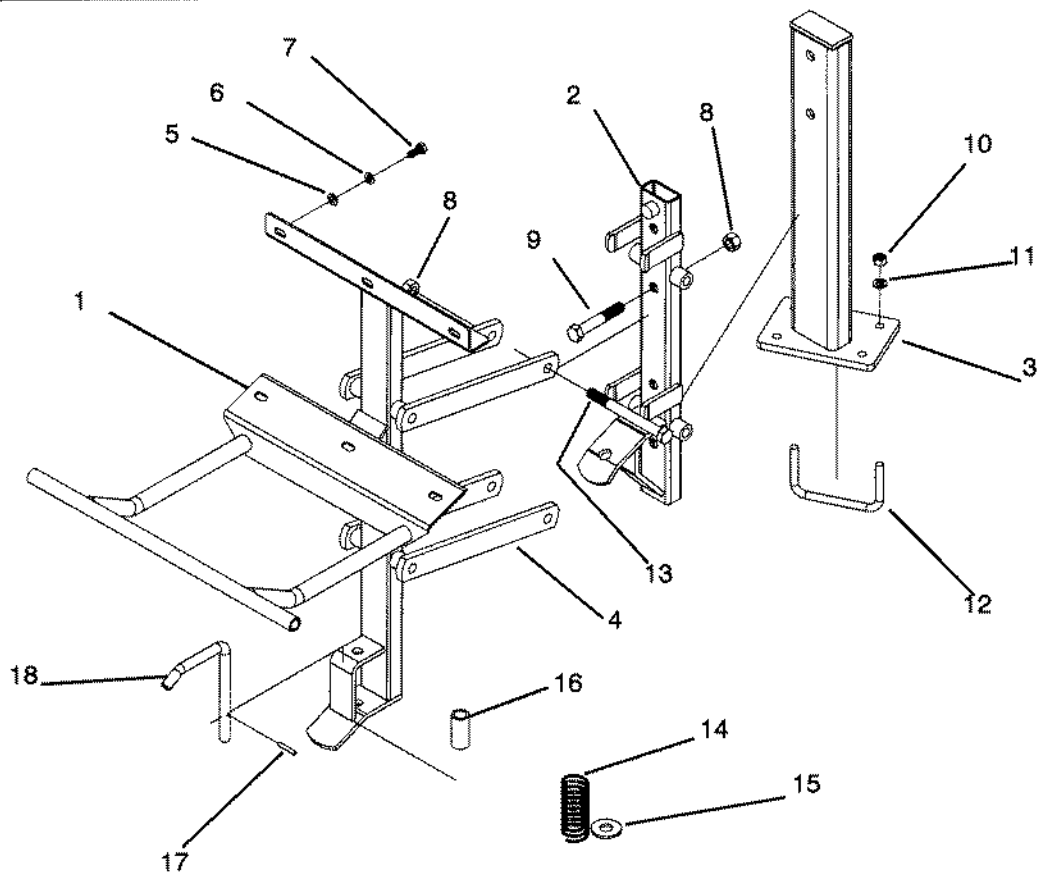
ITEMPART NO.	DESCRIPTION
13	236923 BRACKET VALVE
14	88165 U-BOLT 3/8NCx1-1/2x2-1/4
15	88362 WASHER 3/8 LOCK
16	88103 NUT 3/8NC

NOZZLE/DRY BOOM ASSEMBLY



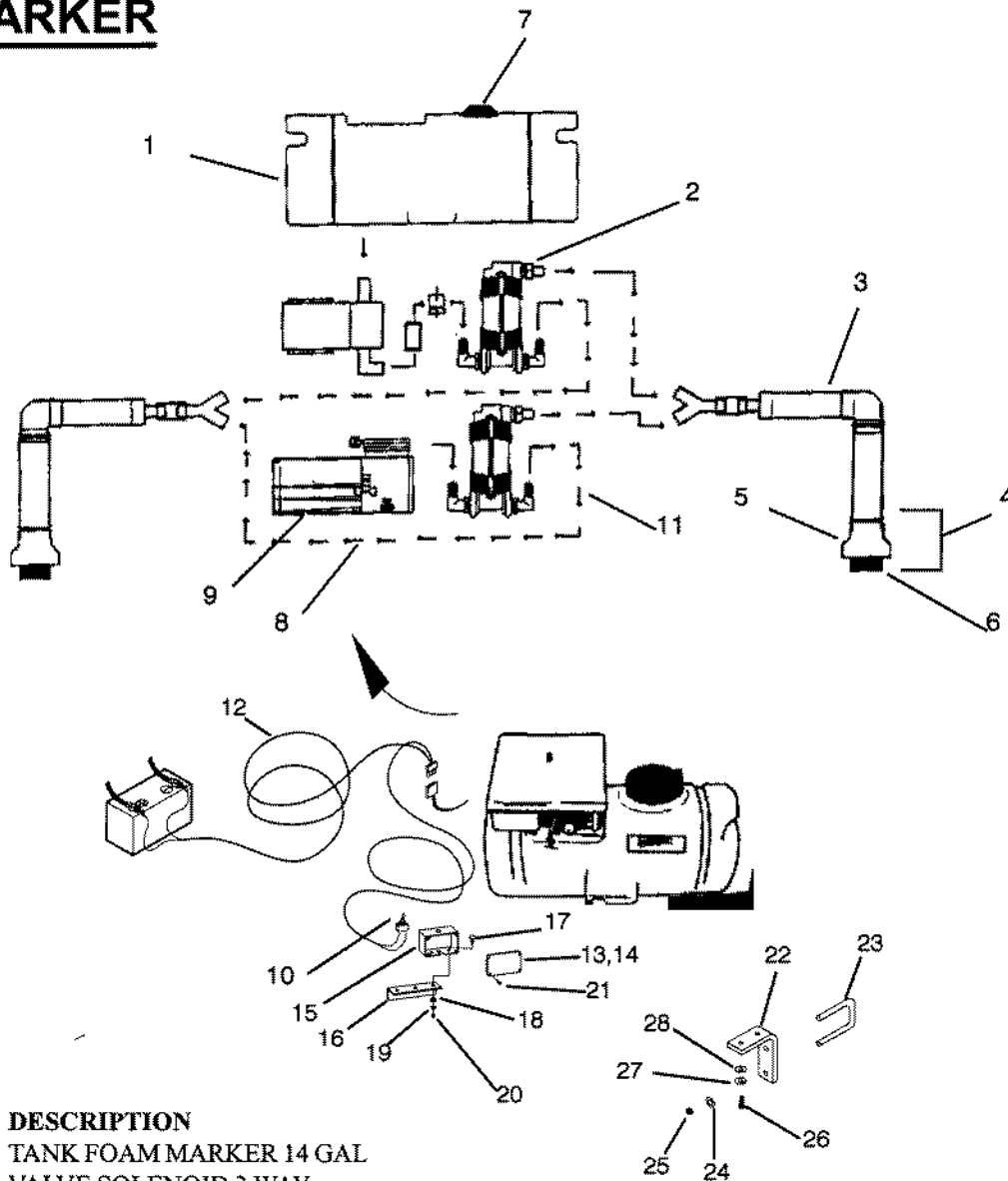
ITEM	PART NO.	DESCRIPTION
1	45161	EXTENSION TUBE
2	234932	1-1/4 DIAMOND CLAMP ASSY
3	44497	1 NUTx 11/16 HB ADAPTER
4	60190	QJ300 3/4 HB CHECK VALVE L NOZZLE
	65074	QJ363 TRIPLE NOZZLE L BODY
5	65075	QJ363 TRIPLE NOZZLE T BODY
	60191	QJ300 3/4HB CHECK VALVE T NOZZLE
6	46100	1x1x1 MSPT TEE
7	60195	QJ 1-1/4 SQUARE CLAMP ASSY
8	60196	QJ 1-1/2 SQUARE CLAMP ASSY
9	234935	1-1/4" SQUARE 3 PIECE ASSY
10	236404	1-1/4" SQUARE BRIDGE ASSY
11	44564	1NUTx1MSPT ELBOW
12	44495	1NUTx1HB ADAPTER
13	222728	3/4ID TUBE
14	222729	HOSE CLAMP

CHEMICAL INDUCTOR



ITEM	PART NO.	DESCRIPTION
1	69272	TANK MOUNT
2	69273	SUPPORT
3	69296	MOUNT
4	69275	STRAP
5	88278	WASHER 5/16 FLAT
6	88358	WASHER 5/16 LOCK
7	88807	BOLT 5/16NCx3/4
8	88363	NUT 1/2NC
9	88541	BOLT 1/2NCx3
10	88103	NUT 3/8NC
11	88362	WASHER 3/8 LOCK
12	88515	U-BOLT 3/8NCx4x2-3/4
13	88681	BOLT 1/2NCx5
14	15940	STAINLESS COMPRESSION SPRING
15	88347	WASHER 1/2 FLAT
16	69277	BUSHING
17	88856	ROLL PIN 3/16x1-1/8
18	69276	LATCH
19	45740	2-1/4 SS CLAMP (8-1/4 LG)
20	46175	1-1/2MPTx1-1/2HB ADAPTER
21	46258	1-1/2 FPT TEE
22	46217	1-1/2MPTx1MPT BUSHING
23	45985	1 MSPTx1MPT NIPPLE
24	44496	1 NUT x1/2 HB ADAPTER
25	47906	1 BALL VALVE
26	61189	1 NUT x 1 MPT ELBOW
27	44553	1 MSPT x 1 NUT x 1 MSPT TEE
28	46134	1 FSPT CAP
29	220530	1/2 CLEAR VINYL HOSE
30	236296	3/4MPTx1/2HB ELBOW
31	45971	1-1/4 MPTx1 MSPT ADAPTER
32	69274	6 GAL EDUCTOR TANK
33	238211	CAP
34	45731	3/4 SS CLAMP (3-1/4 LG)

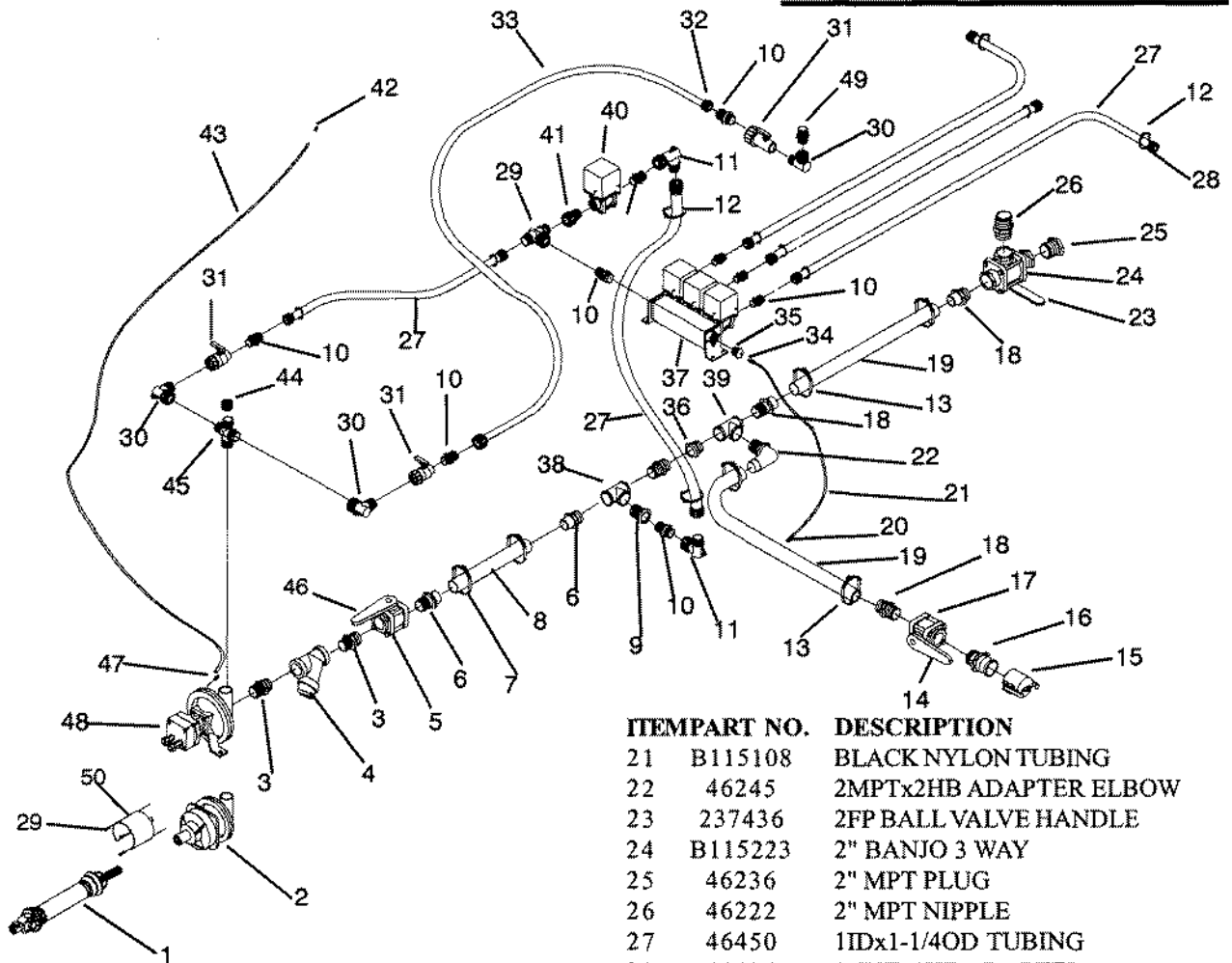
FOAM MARKER



ITEMPART NO.	DESCRIPTION
1	223966 TANK FOAM MARKER 14 GAL
2	223968 VALVE SOLENOID 3 WAY
3	223971 FOAM CHAMBER W/ HOSE
4	223972 COLLECTOR BOOT/SOCKET SET
5	223973 COLLECTOR BOOT W/ CLAMP
6	223974 COLLECTOR SOCK
7	238211 COVER 6" SPRING VENT
8	45991 1/4 HOSE MENDER
9	223967 COMPRESSOR AIR 12 VOLT HI-CAP
10	223975 SWITCH FOAM MARKER
11	55743 1/4" CLEAR VINYL HOSE (100')
12	238250 HARNESS MAIN WIRE W/ SWITCH
	235648 FUSE 20A
13	237490 DECAL FOAM MARKER
14	62584 CONSOLE PANEL
15	62583 CONSOLE BOX
16	50346 ANGLE
17	88996 CARRIAGE BOLT 1/4NCx1-1/4
18	88855 WASHER 1/4 FLAT
19	89036 WASHER 1/4 LOCK

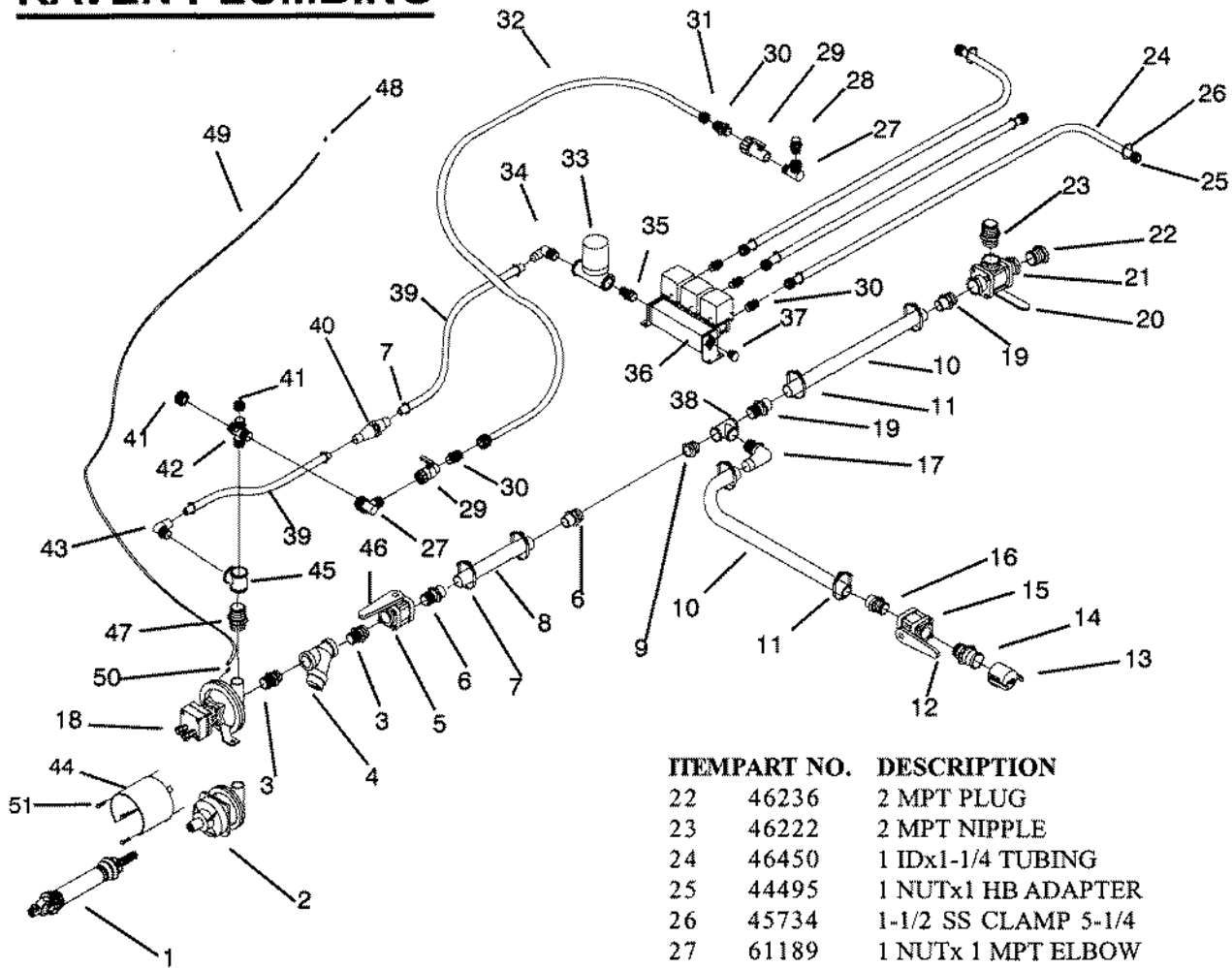
ITEMPART NO.	DESCRIPTION
20	88172 NUT 1/4NC
21	89136 #6x1/2 SELF TAPPING SCREW
22	52565 BRACKET
23	45633 U-BOLT 5/8NCx4x5-1/2
24	88129 WASHER 5/8 LOCK
25	88126 NUT 5/8NC
26	88478 BOLT 5/16NCx1
27	88358 WASHER 5/16 LOCK
28	88278 WASHER 5/16

TEE JET PLUMBING



ITEMPART NO.	DESCRIPTION
1	46406 540 PTO DRIVELINE 48"
	65084 DRIVELINE SAFTYMAN
2	46293 HYPRO PUMP # 9016C-0
3	45903 1-1/2 MPT NIPPLE
4	46358 1-1/2 LINE STRAINER 50 MESH
5	46614 1-1/2 BALL VALVE
6	46175 1-1/2 MPTx1-1/2 HB ADAPTER
7	45740 2-1/4 SS CLAMP 8-1/4 LONG
8	46487 1-1/2 TRANSFER HOSE
9	46217 1-1/2 MPTx1FPT BUSHING
10	45985 1MSPTx1MPT NIPPLE
11	44564 1NUTx1MSPT-0 ELBOW
12	45734 1-1/2 SS CLAMP 5-1/4 LONG
13	45741 3" SS CLAMP 9-3/4 LONG
14	46527 1-1/2 BANJO BALL VALVE HANDLE
15	46620 2" CAM LOCK CAP
16	46623 2"Mx2MPT ADAPTER
17	46629 2" BALL VALVE
18	46249 2MPTx2HB ADAPTER
19	46491 2" TRANSFER TUBING
20	46580 1/8 TUBE UNION
B112780	BRASS TUBING INSERT
21	B115108 BLACK NYLON TUBING
22	46245 2MPTx2HB ADAPTER ELBOW
23	237436 2FP BALL VALVE HANDLE
24	B115223 2" BANJO 3 WAY
25	46236 2" MPT PLUG
26	46222 2" MPT NIPPLE
27	46450 1IDx1-1/4OD TUBING
28	44495 1NUTx1HB ADAPTER
29	89034 BOLT 3/8NCx1
30	61189 1NUTx1MPT ELBOW
31	47906 1" BALL VALVE
32	44496 1NUTx1/2 HB ADAPTER
33	46438 1/2IDx3/4OD TUBING
34	B112780 BRASS TUBING INSERT
	46579 1/8 TUBE CONNECTOR
35	235691 1MPTx1/8FPT REDUCER
36	46219 2MPTx1-1/2FPT BUSHING
37	64470 ON/OFF CONTROL 3-1" BALL VALVE
38	46258 1-1/2 FPT TEE
39	46259 2" FPT TEE
40	64756 3BALL VALVE CONTROL REGULATOR
41	44507 1NUTx1MPT ADAPTER
42	46336 .060 RESTRICTOR YELLOW
43	46428 3/16IDx1/4OD TUBING
44	46134 1FSPT CAP
45	47872 4 WAY CROSS 1-1/4MPTx1MSPT
46	62469 HANDLE/BEE VALVE
47	221700 1/8MPTx3/16HB BRASS STRAIGHT
48	47636 HYPRO PUMP #9303C-HM4
49	45968 1MSPTx3/4MPT REDUCER
50	48867 PTO GUARD

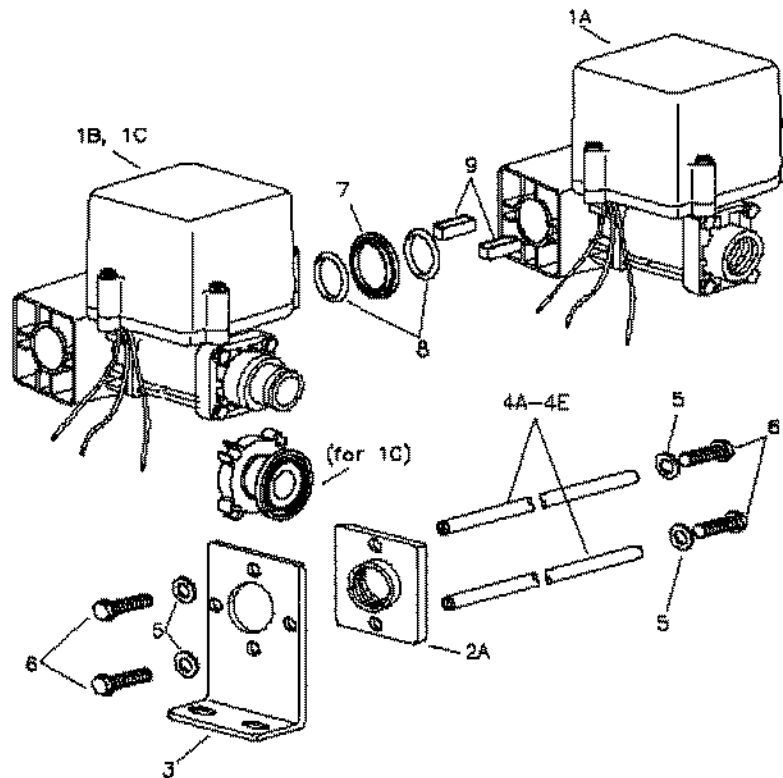
RAVEN PLUMBING



ITEMPART NO.	DESCRIPTION
1	46406 540 PTO DRIVELINE 48"
	65084 DRIVELINE SAFTY MAN
2	46293 HYPRO PUMP # 9016C-0
3	45903 1-1/2 MPT NIPPLE
4	46358 1-1/2 LINE STRAINER 50 MESH
5	46614 1-1/2 BALL VALVE
6	46175 1-1/2 MPTx1-1/2 HB ADAPTER
7	45740 2-1/4 SS CLAMP 8-1/4 LONG
8	46487 1-1/2 TRANSFER HOSE
9	46219 2MPTx1-1/2 FPT BUSHING
10	46491 2 ID TRANSFER TUBING
11	45741 3 SS CLAMP 9-3/4 LONG
12	46527 1-1/2 BANJO BALL VALVE HANDLE
13	46620 2 CAM LOCK DUST CAP
14	46623 2Mx2MPT ADAPTER
15	46629 2 BALL VALVE
16	46249 2MPTx2 HB ADAPTER
17	46245 2MPTx2HB ELBOW
18	47636 HYPRO PUMP #9303C-HM4
19	46249 2MPTx2HB ADAPTER
20	237436 2FP F BALL VALVE HANDLE
21	B115223 2" 3-WAY BANJO VALVE

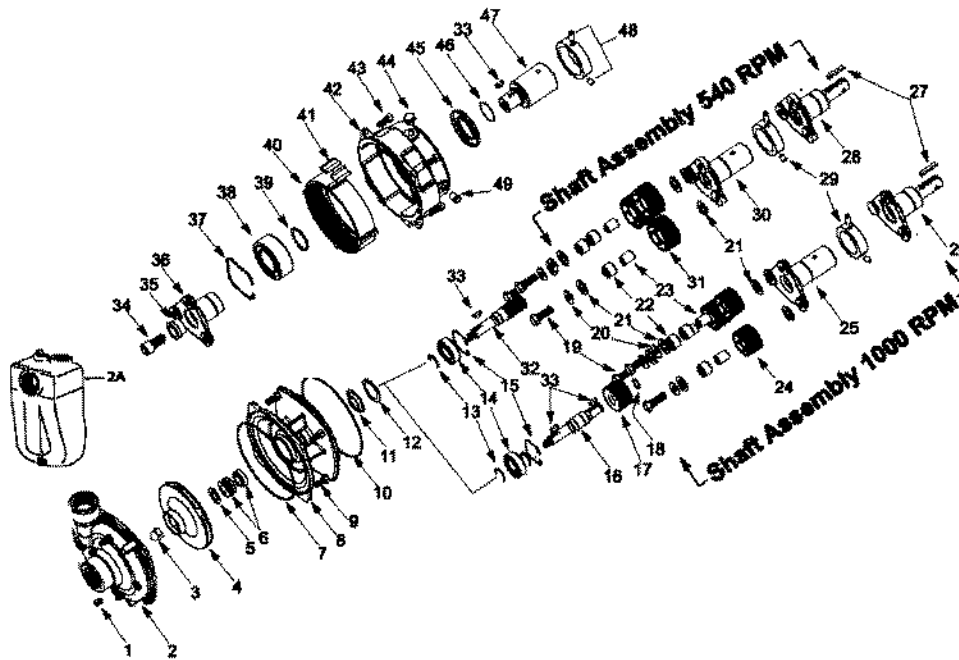
ITEMPART NO.	DESCRIPTION
22	46236 2 MPT PLUG
23	46222 2 MPT NIPPLE
24	46450 1 IDx1-1/4 TUBING
25	44495 1 NUTx1 HB ADAPTER
26	45734 1-1/2 SS CLAMP 5-1/4
27	61189 1 NUTx 1 MPT ELBOW
28	45968 1 MSPT x 3/4 MPT REDUCER
29	47906 1 BALL VALVE
30	45985 1 MSPT x 1 MPT NIPPLE
31	44496 1 NUT x 1/2 HB ADAPTER
32	46438 1/2 ID x 3/4 OD TUBING
33	60164 1" RAVEN POLY CONTROL VALVE
34	B115274 1 NPTx 1.25HB POLY FITTING
35	B112130 1" POLY CLOSE NIPPLE
36	64470 3-1" ON/OFF CONTROL BALL VALVE
37	46164 1 MPT PLUG
38	46259 2" FPT TEE
39	60053 1-1/4ID PRESSURE TUBE
40	60161 RAVEN RFM 55 FLOWMETER
41	46134 1 FSPT CAP
42	47872 4WAY CROSS 1-1/4MPTx1MSPT(3)
43	46244 1-1/4MPTx1-1/4HB ELBOW
44	48867 PTO GUARD
45	46257 1-1/4 FPT TEE
46	62269 HANDLE/BEE VALVE
47	45905 1-1/4 MPT NIPPLE
48	46336 .060 RESTRICTOR
49	46428 3/16IDx1/4OD TUBING
50	221700 1/8MPTx3/16HB BRASS STRAIGHT
51	89034 BOLT 3/8NCx1

TEEJET BALL VALVE



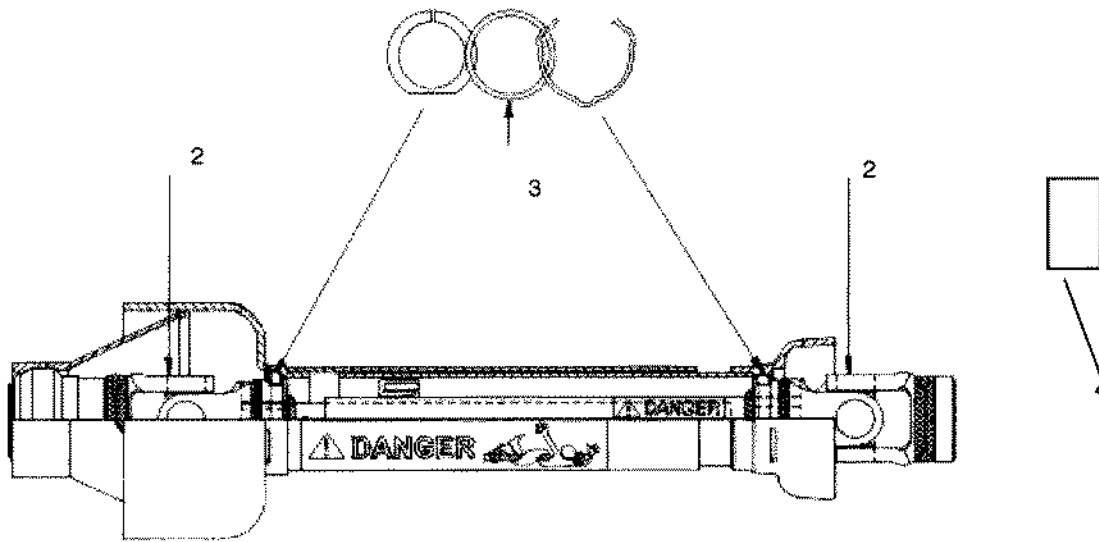
ITEM	PART NO	DESCRIPTION
1	B112992	VALVE BALL SHUTOFF 1" 12 VDC (NOT SHOWN)
1A	238208	VALVE ELECTRIC BALL 1" MNFLD TEEJET
2A	221374	1 NPT F THREADED INLET BODY
3	N/A	BRACKET MOUNTING
4	N/A	STUD
5	88882	WASHER FLAT 1/4(5/16X3/4ACT) SST
6	89105	BOLT HEX 1/4-20NC X 1 SST
7	221375	INNER CONNECTOR POLY
8	221376	O-RING VITON
9	N/A	INSERT ALIGNMENT

HYPROPUMP



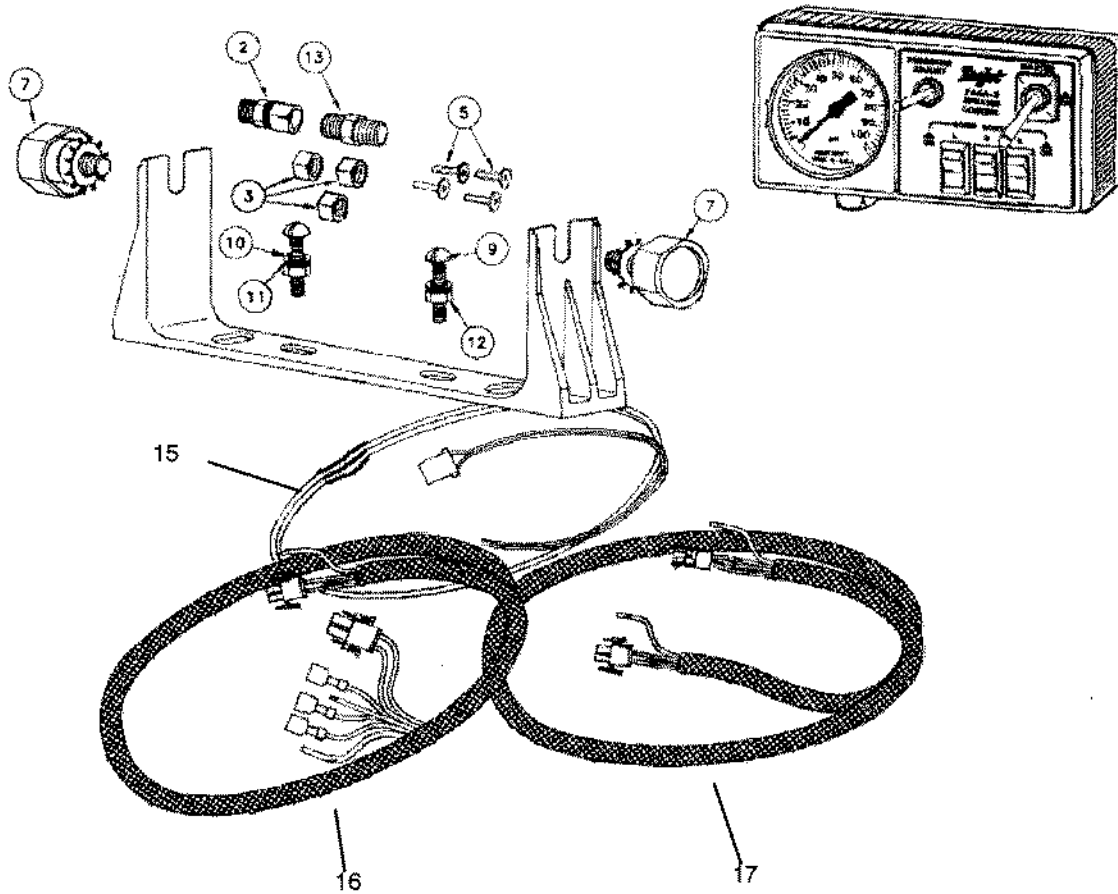
ITEM	PART NO	DESCRIPTION	ITEM	PART NO	DESCRIPTION
1	60213	DRAIN/VENT PLUG	29	N/A	LOCKING COLLAR KIT
2	43286	PUMP CASING	30	60198	DRIVER HUB
3	44446	IMPLR NUT	31	58036	DRIVER GEAR
4	43291	IMPELLAR	32	44741	PINION GEARED SHAFT
5	N/A	GASKET	33	43356	WOODRUFF KEY
6	44435	BUNA-N SEAL	34	N/A	CAPSCREW
6	44436	VITON SEAL	35	N/A	BUSHING
7	43364	O-RING CAST	36	N/A	HUB DRIVER
8	N/A	MNT FLANGE	37	60203	RETAINING RING
9	44441	CAPSCREW	38	44422	BALL BEARING
10	60211	O-RING	39	43370	SNAP RING
11	N/A	BEARING LIP SEAL	40	44740	GEAR RING 9000 SERIES
12	60210	GASKET	41	43352	CUSHION BUMPER
13	43372	RETAINING RING	42	60205	GEAR CASING
14	44424	BEARING Ø.96X2.05OD	43	N/A	CAPSCREW
15	43378	RETAINER RING	44	60208	BREATHER VENT
16	N/A	IMPELLAR SHAFT	45	60204	OIL SEAL
17	44742	SUN GEAR	46	60212	O-RING
18	43371	RETAINING RING	47	60206	DRIVER HUB (9028C)
19	N/A	CAPSCREW	48	60207	LOCK COLLAR 9028C
20	44440	CAPSCREW	49	60209	OIL PLUG
21	44448	NYLN THRST WSHR	50	238206	REPAIR KIT (INCLUDES ITEMS 5,6,&7)
22	N/A	BEARING W/DRIVER GEAR			
23	44423	BEARING INNER RACE			
24	60197	DR GEAR W/BRG(1000RPM)			
25	60199	DRIVER HUB			
26	60201	DR HUB (1000RPM)			
27	43355	WOODRUFF KEY			
28	60200	DRIVER HUB (540 RPM)			

PTO SHAFT



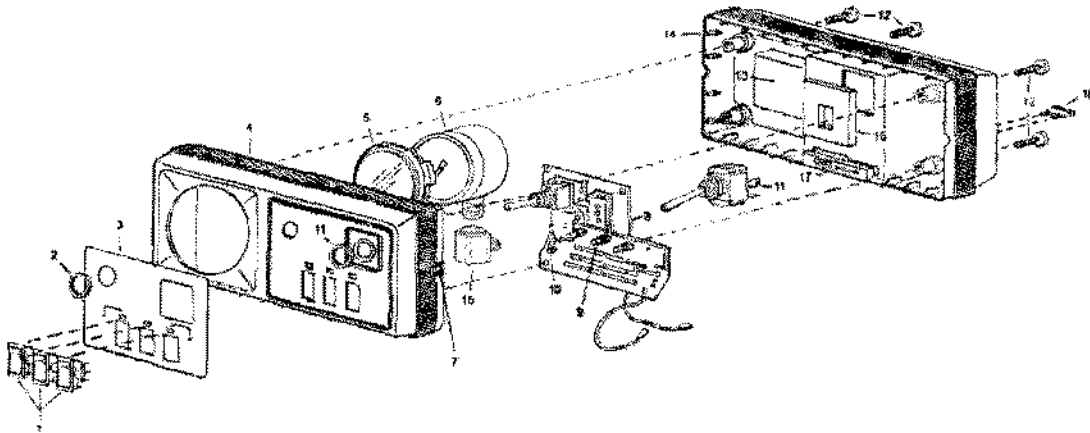
ITEM	PART NO.	DESCRIPTION
1	46406	PTO SHAFT 6 SPLINE 48" (COMPLETE)
	49626	PTO SHAFT 21 SPLINE 48" (COMPLETE)
2	238246	REPAIR KIT U-JOINT 6 SPLINE
	238247	REPAIR KIT U-JOINT 21 SPLINE
3	238248	REPAIR KIT SHIELD BEARING 6 SPLINE
	238249	REPAIR KIT SHIELD BEARING 21 SPLINE
4	65084	DRIVELINE SAFTEY MANUAL

TEEJET CONTROL BOX



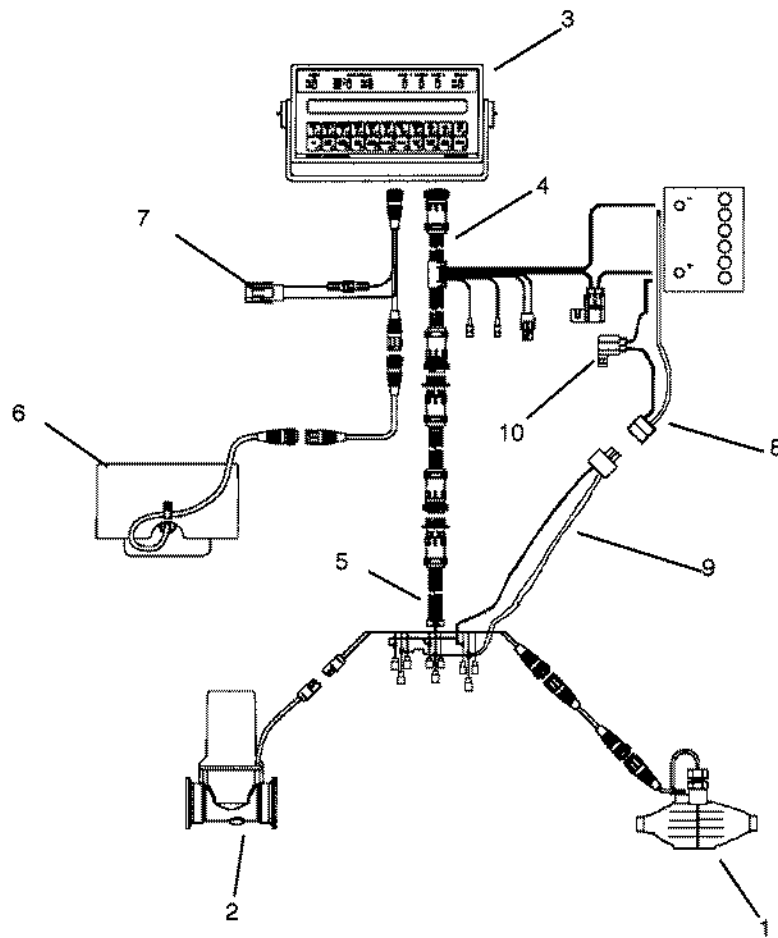
ITEM	PART NO	DESCRIPTION
1	N/A	
2	46579	1/8" TUBE CONNECTOR
3	B112778	1/8" FPT TUBING NUT NYLON
4	N/A	
5	B112780	TUBING INSERT BRASS
6	N/A	
7	B115129	KNOB LOCK PLASTIC
8	N/A	
9	88203	BLT HEX 1/4-20NCX1 5Z
10	88261	WSHR FLAT 1/4(5/16X3/4ACT) Z
11	88262	WSHR HLK 1/4ID(5/16ACT) Z
12	88172	NUT HEX 1/4-20NC 5Z
13	46580	1/8" TUBE UNION
14	B115108	TUBING NYLON BLACK (NOT SHOWN)
15	B112923	CABLE POWER
16	B112918	CABLE END
17	B112924	CABLE EXT

TEEJET 744 CONTROL



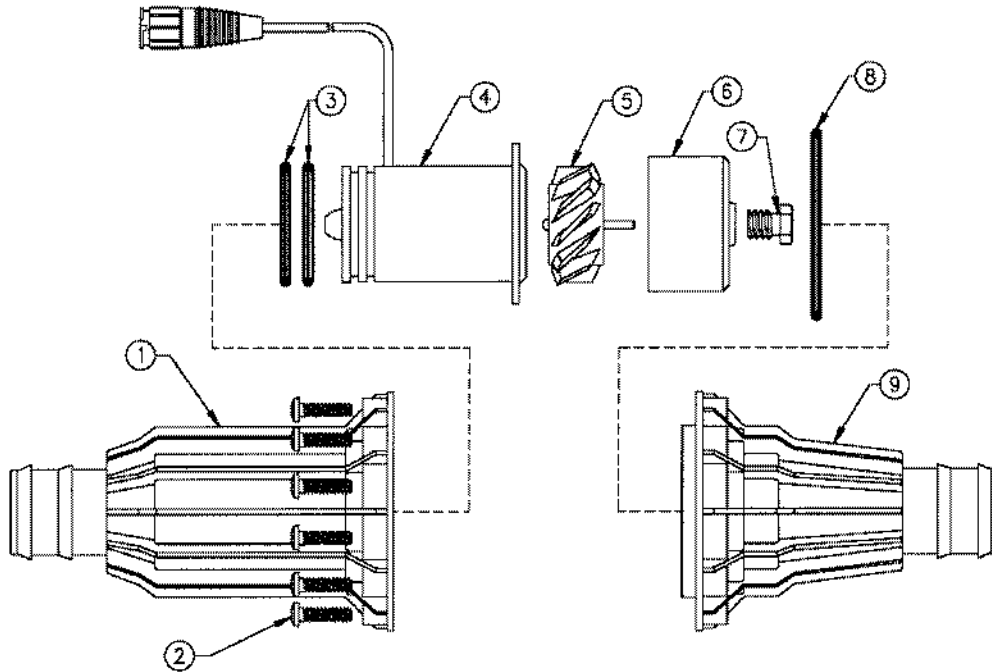
ITEM	PART NO.	DESCRIPTION
6	B115122	GAUGE PRESSURE 100 PSI FILLED
11	B112887	SWITCH TOGGLE
15	B112767	ADAPTER ELBOW

RAVEN 440 CONTROL



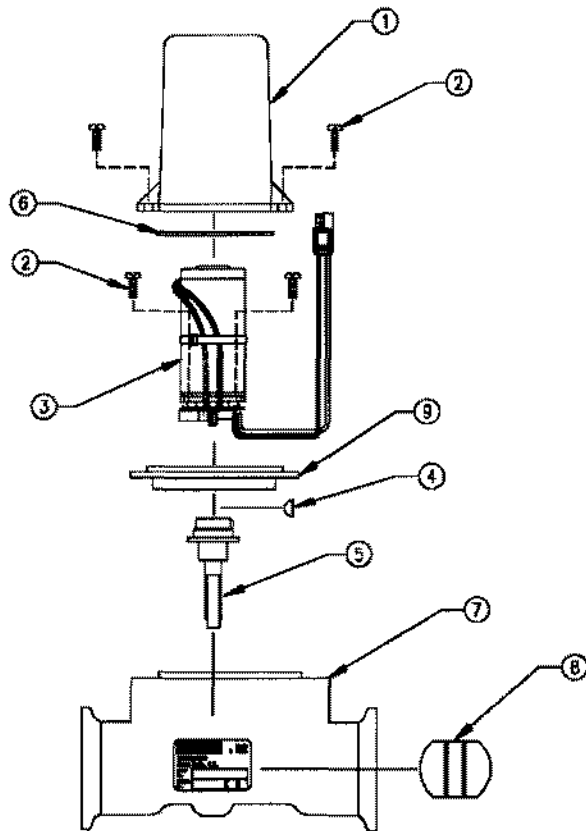
ITEM	PART NO.	DESCRIPTION
1	60161	FLOWMETER
2	60164	CONTROL VALVE
3	60165	CONSOLE
4	60168	CONSOLE CABLE
5	60169	FLOW CABLE
6	61207	RADAR
7	67758	RADAR CABLE
8	220527	BATTERY CABLE
9	220528	VALVE END CABLE
10	238207	FUSE 15AMP

RAVEN FLOW METER



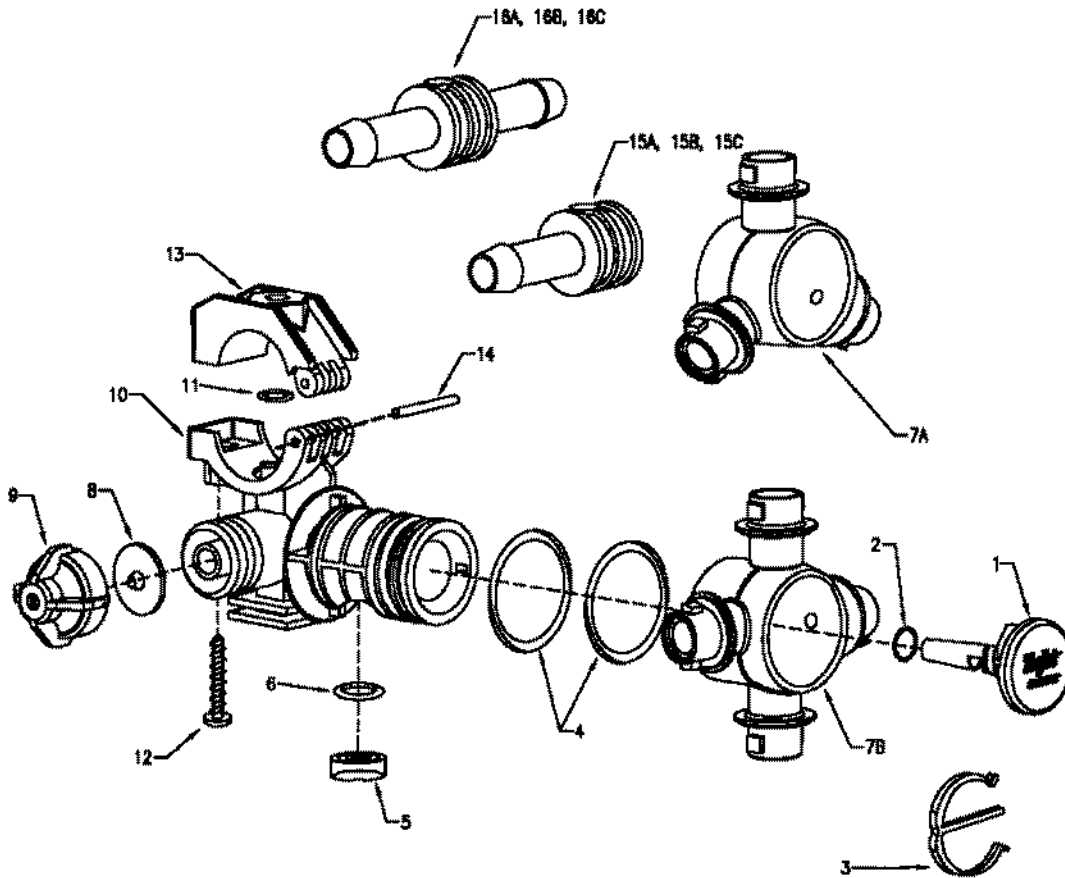
ITEM	PART NO.	DESCRIPTION
3	B112540	O-RING
4	B112541	TRANSOUCCER ASSY
5	B112926	TURBINE
6	B112999	TURBINE HUB
7	B112543	TURBINE STUD
8	B112544	O-RING

RAVEN CONTROL VALVE



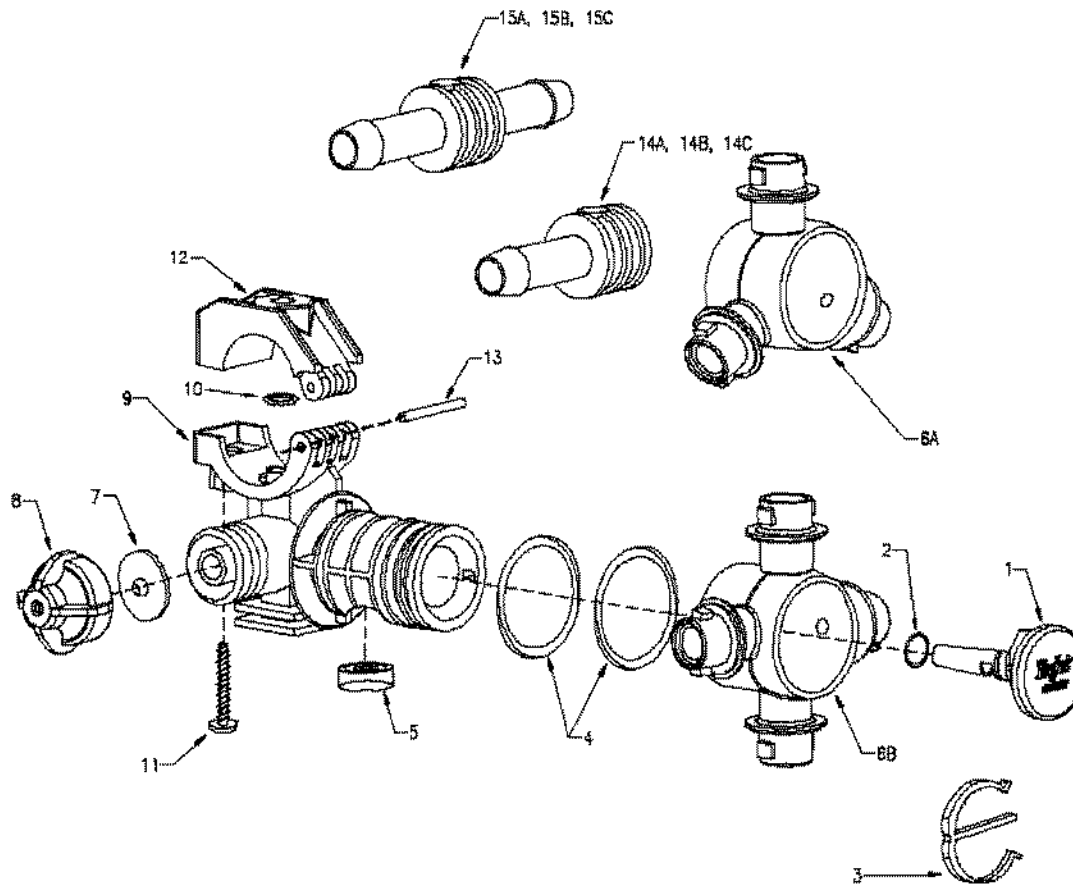
ITEM	PART NO.	DESCRIPTION
3	60170	MOTOR CONTROL VALVE

TEE JET QJ 363 VERSION C



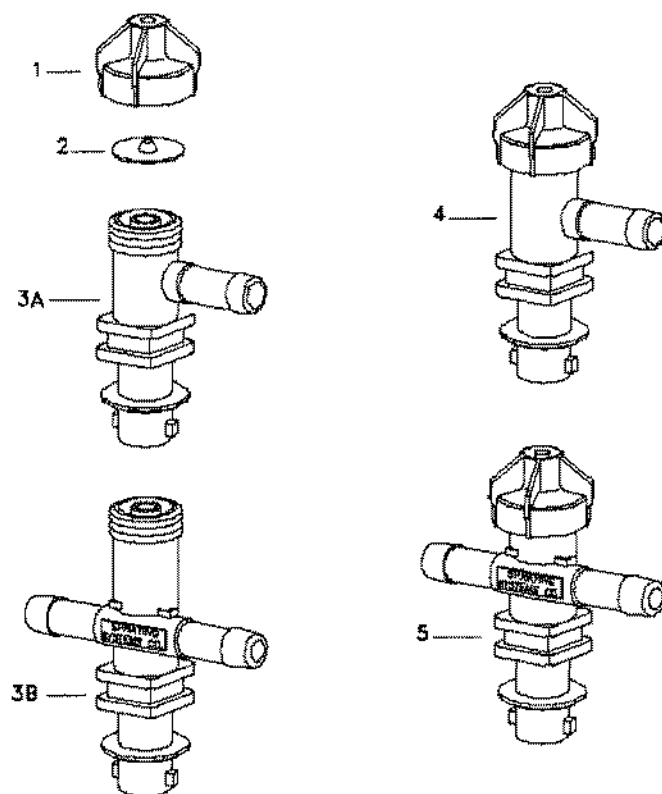
ITEM	PART NO.	DESCRIPTION
1	238231	PLUG NYLON
2	238232	O-RING TURRET PLUG
3	238233	E-CLIP TURRET
4	238234	O-RING TURRET
5	238235	SEAL NOZZLE PORT
6	238236	O-RING NOZZLE PORT
7A	238237	TURRET TRIPLE PORT
8	238230	DIAPHRAM, EPDM
9	B112886	END CAP CEMSAVER
10	N/A	
11	B115134	O-RING
12	238238	SCREW BODY STAINLESS
13	238239	BODY CLAMP TOP
14	238240	PIN BODY PIVOT
15B	238241	HOSE BARB SINGLE 3/4"
16B	238242	HOSE BARB DOUBLE 3/4"
17	65074	TRIPLE NOZZLE L BODY (COMPLETE)
18	65075	TRIPLE NOZZLE T BODY (COMPLETE)

TEE JET QJ 363 PRIOR VERSION C



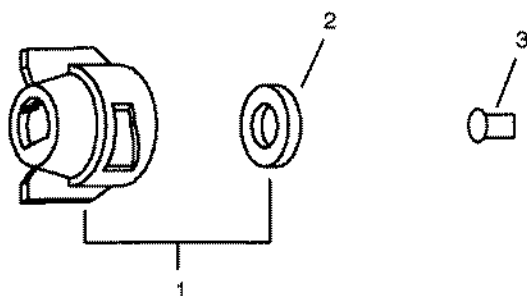
ITEM	PART NO.	DESCRIPTION
1	238243	PLUG NYLON
2	238232	O-RING TURRET PLUG
3	238233	E-CLIP TURRET
4	238234	O-RING TURRET
5	238244	SEAL NOZZLE PORT
6A	238237	TURRET TRIPLE PORT
7	238230	DIAPHRAM EPDM
8	B112886	ENDCAP CHEMSAVER
9	N/A	
10	B115134	O-RING
11	238238	SCREW BODY STAINLESS
12	238239	BODY CLAMP TOP
13	238240	PIN BODY PIVOT
14B	238241	HOSE BARB SINGLE 3/4"
15B	238242	HOSE BARB DOUBLE 3/4"
16	65074	TRIPLE NOZZLE L BODY (COMPLETE)
17	65075	TRIPLE NOZZLE T BODY (COMPLETE)

TEEJET SINGLE NOZZLES



TEMPART NO.	DESCRIPTION
1	B112886 END CAP CHEMSAVER
2	238230 DIAPHRAM
3A	N/A
3B	N/A
4	60190 NOZZLE L 3/4" HB CHECK (COMPLETE)
5	60191 NOZZLE T 3/4" HB CHECK (COMPLETE)

NOZZLE BODY CAPS



ITEM	PART NO.	DESCRIPTION
1	60194	QUICK TEEJET CAP BLUE
	64752	QUICK TEEJET CAP BROWN
	64753	QUICK TEEJET CAP RED
	64754	QUICK TEEJET CAP YELLOW
	65087	QUICK TEEJET CAP WHITE
	B112910	QUICK TEEJET CAP TWIN JET YELLOW
2	B112261	GASKET SEAT
3	61192	STRAINER 50 MESH POLY
	61193	STRAINER 80 MESH POLY
	61194	STRAINER 100 MESH POLY

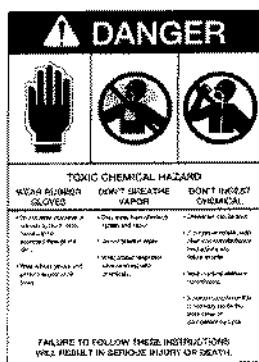


WIL-RICH

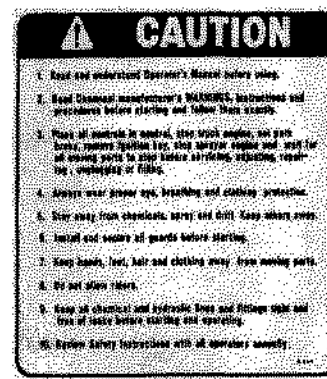
64402 WIL-RICH DECAL 1-1/8x7-3/8
64404 WIL-RICH DECAL 3x19-7/8



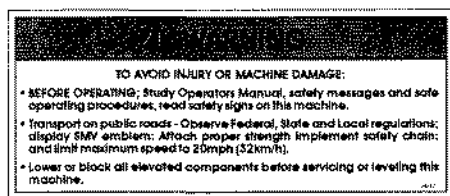
223339 ADHESIVE BACKED SMV



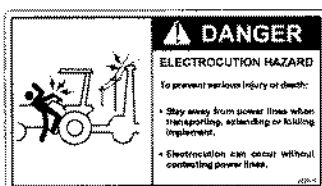
61403 CHEMICAL CAUTION DECAL



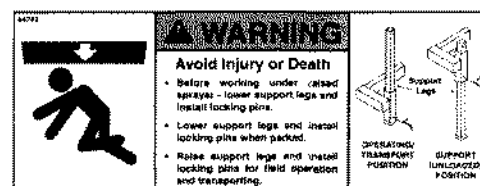
B112403 READ MANUAL DECAL



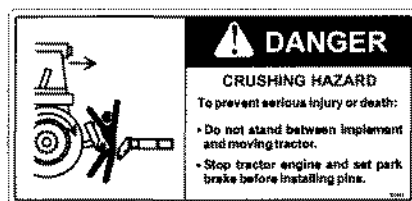
24227 READ MANUAL DECAL



222801 ELECTROCUTION DECAL



65753 OVERHEAD HAZARD DECAL



222802 CRUSHING DECAL



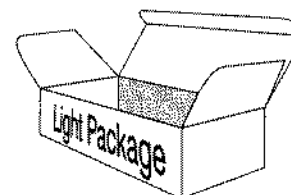
223118 FLUORESCENT ORANGE DECAL



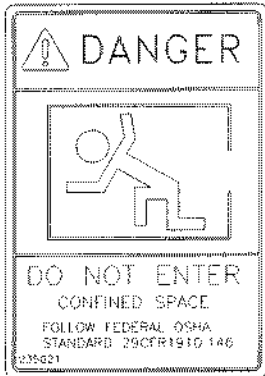
22371 RED REFLECTOR



22372 AMBER REFLECTOR



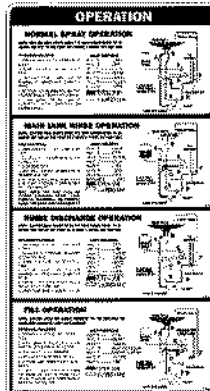
223190 CLEARANCE LIGHT PACKAGE



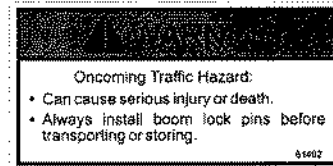
235021 - DANGER CONFINED SPACE

Trail Master

TRAIL MASTER DECAL, 3x12



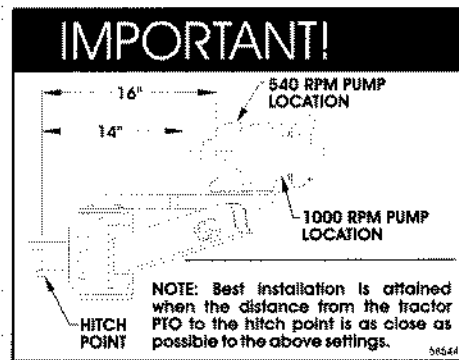
62419 - RINSE TANK OPERATION DECAL



61402 - BOOM LOCK DECAL



58483 - HINGE PINCH POINT DECAL



58544 - PTO LOCATION DECAL



61403 - TOXIC CHEMICAL DECAL

CROP CARE

65678 - CROP CARE DECAL, 2-3/4x30

