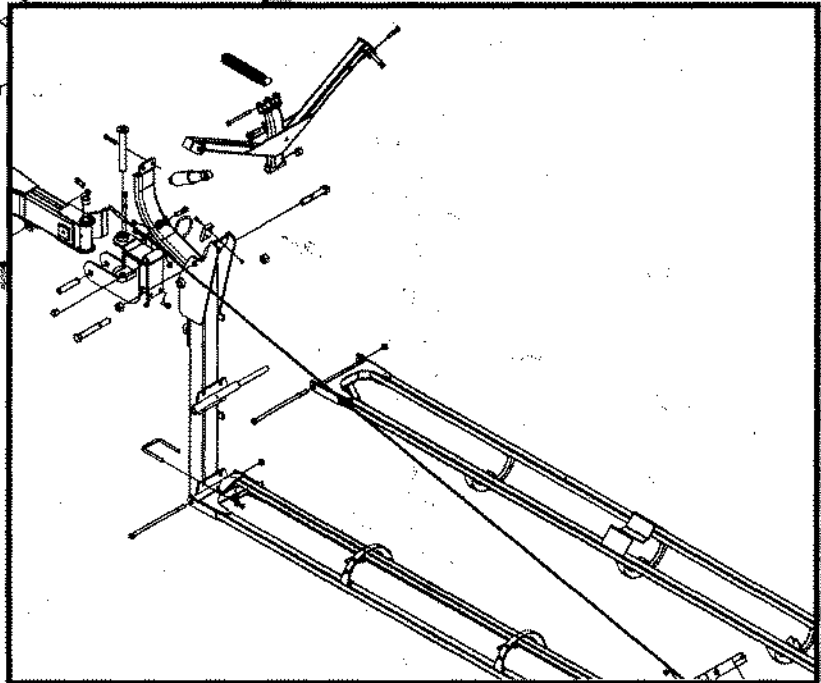
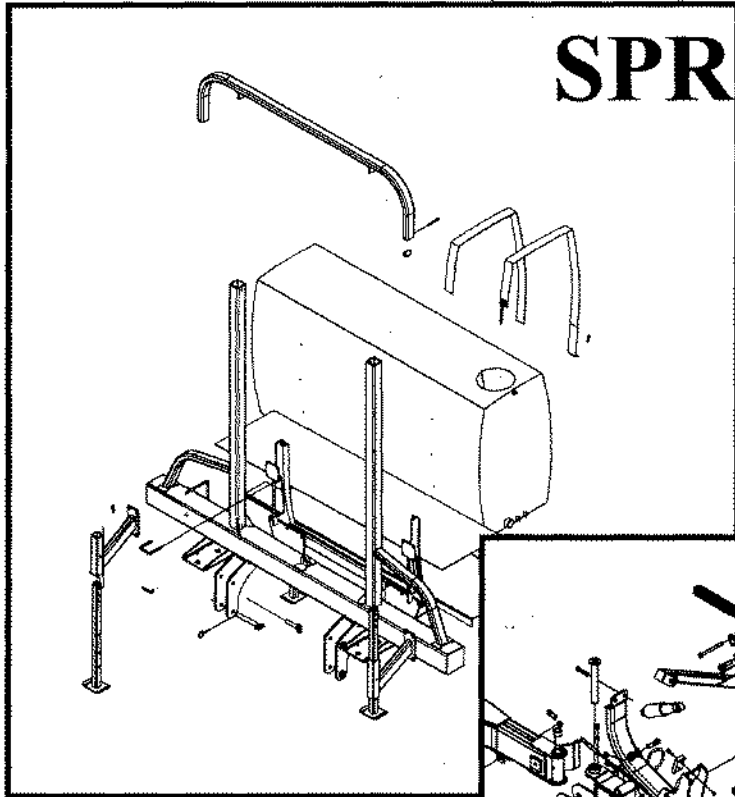




3PT HYDRAULIC FOLD SPRAYER PARTS



PO Box 1030
Wahpeton, ND 58074
PH (701) 642-2621
Fax (701) 642-3372

WARRANTY

The only warranty Wil-Rich gives and the only warranty the dealer is authorized to give is as follows:

We warrant products sold by us to be in accordance with our published specifications or those specifications agreed to by us in writing at time of sale. Our obligation and liability under this warranty is expressly limited to repairing, or replacing, at our option, within 12 months after date of retail delivery, any product not meeting the specifications. ***We make no other warranty, express or implied and make no warranty of merchantability or of fitness for any particular purpose.*** Our obligation under the warranty shall not include any transportation charges or costs or installation or any liability for direct, indirect or consequential damage or delay. If requested by us, products or parts for which a warranty claim is made are to be returned transportation prepaid to our factory. Any improper use, operation beyond rated capacity, substitution of parts not approved by us, or any alteration or repair by others in such manner as in our judgment affects the product materially and adversely shall void this warranty. ***No employee or representative is authorized to change this warranty in any way or grant any other warranty.***

Wil-Rich reserves the right to make improvement changes on any of our products without notice.

When warranty limited or not applicable: Warranty on hoses, cylinders, hubs, spindles, engines, valves, pumps or other trade accessories are limited to the warranties made by the respective manufacturers of these components. Rubber tires and tubes are warranted directly by the respective tire manufacturer only, and not by Wil-Rich.

Warranty does not apply to any machine or part which has been repaired or altered in any way so as in the our judgment to affect its reliability, or which has been subject to misuse, negligence or accident.

A Warranty Validation and Delivery Report Form must be filled out and received by Wil-Rich to initiate the warranty coverage.

WARRANTY CLAIMS PROCEDURE

1. The warranty form must be returned to Wil-Rich within fifteen (15) working days from the repair date.
2. Parts returned to Wil-Rich without authorization will be refused. The parts must be retained at the dealership for ninety (90) days after the claim has been filed. If the Service Department would like to inspect the parts, a packing slip will be mailed to the dealer. The packing slip must be returned with the parts. The parts must be returned prepaid within thirty (30) days of receiving authorization. After the parts are inspected and warranty is verified, credit for the return freight will be issued to the dealer.
3. Parts that will be scrapped at the dealership will be inspected by a Wil-Rich Sales Representative, District Sales Manager or Service Representative within the ninety (90) day retaining period.

Orientation

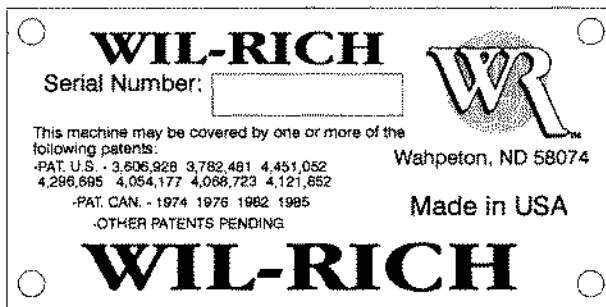
Any reference to left (L) or right (R) sides or components is to be understood as being viewed from behind the implement and looking forward.

Serial Number Break

Every implement has a serial number located on the frame. These serial numbers are consecutively assigned to the implements as they are manufactured. To aid in part ordering, we reference to the serial number at the point the change occurred to provide an accurate means of determining the proper parts. See contents graphic, page 3, for location.

Modifications

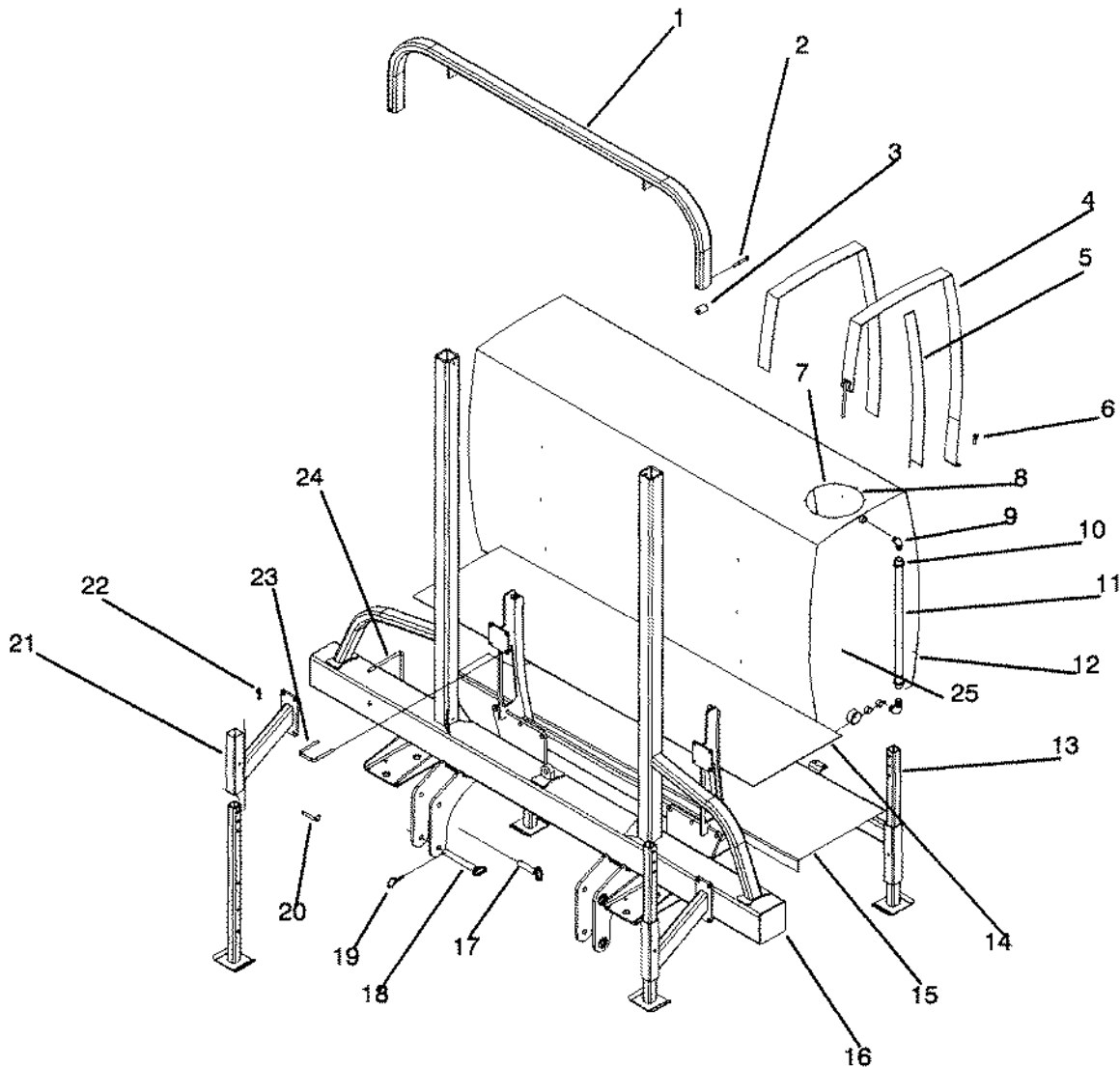
It is the policy of WIL-RICH Operations to improve its products whenever possible and practical to do so. We reserve the right to make changes, improvements, and modifications at any time without incurring the obligation to make such changes, improvements and modifications on any equipment sold previously.



Contents

3PT MAIN FRAME	4
BOOM SUPPORT AND LIFT COMPONENTS	5
INNER BOOM COMPONENTS	6
OUTER BOOM COMPONENTS	7
PLUMBING	
3 SECTION PLUMBING (Raven)	8, 9
3 SECTION PLUMBING (Spray Systems)	10,11
5 SECTION PLUMBING(Raven)	12,13
5 SECTION PLUMBING (Spray systems)	14,15
WET BOOM PLUMBING	
3 SECTION 23/44/23	16
3 SECTION 30/30/30	17
3 SECTION 20/40/20	18
3 SECTION 22/44/22	19
5 SECTION	20
5 SECTION 11/22/22/22/11	21
HYDRAULICS	22
DECALS	23
HYPRO TRIPLE NOZZLE	24
HYPRO SINGLE NOZZLE	25
PUMP	26
HYDRAULIC SOLENOID	27
SAFETY LIGHTS	28
440 LIQUID CONTROL	29
450 LIQUID CONTROL	30
RINSE TANK	31
HYDRAULIC CYLINDERS	32

3PT MAIN FRAME



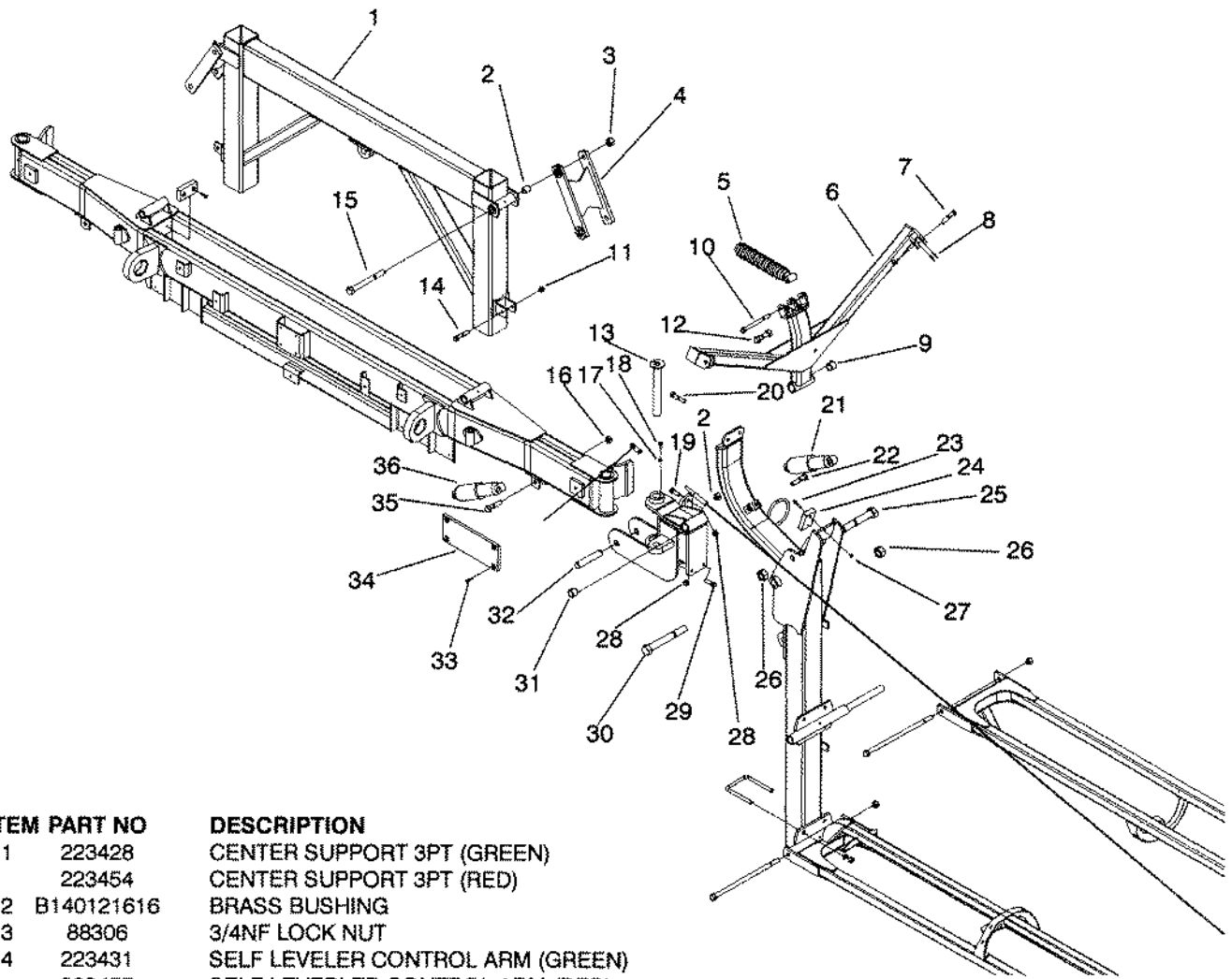
ITEM	PART NO	DESCRIPTION
1	B70014	LEVELER LOCK 54 CENTER (RED)
	223437	LEVELER LOCK 54 CENTER (GREEN)
2	88507	1/2NCx3-1/2 GR5 BOLT
3	B700007	TUBE
4	223439	STRAP MOUNT 3PT (GREEN)
	223463	STRAP MOUNT 3PT (RED)
5	223343	3/16 BELT (3x117)
6	88475	1/2NCx1-1/2 GR5 BOLT
7	88246	POP RIVET
8	223513	FILLWELL & LID 10"
	235025	10" LID
	235026	10" RING
9	223365	1" FLANGE x 1-1/4 HB 90°
10	223474	CLAMP
11	223475	1-1/4 CLEAR VINYL HOSE
12	223381	500 GALLON STAINLESS STEEL TANK
13	223438	MAIN FRAME STAND (GREEN)
	B6017101	MAIN FRAME STAND (RED)
14	223342	3/16BELTING (23x1/2x54)
15	223432	TANK MOUNT 500 (GREEN)
	223458	TANK MOUNT 500 (RED)
16	223429	MAIN FRAME 3PT (GREEN)
	223455	MAIN FRAME 3PT (RED)
17	23220	HITCH PIN

ITEM	PART NO.	DESCRIPTION
18	32998	PIN
19	32990	CLICK PIN
20	23048	PIN
21	233427	FRONT STAND 3PT (GREEN)
	223453	FRONT STAND 3PT (RED)
22	23039	HAIRPIN COTTER 2.69"
23	89269	1/2NCx3-1/2x4-3/4" U-BOLT
24	223342	3/16 BELTING (23-1/2x91)
25	234426	DECAL 500 GALLON

Note: Standard nuts and lock washers are not called out. Anything other than standard will be called out.

STANDARD NUTS AND LOCK WASHERS			
88172	1/4NC Nut	88262	1/4 Lock Washer
88103	3/8NC Nut	88362	3/8 Lock Washer
88104	1/2NC Nut	88303	1/2 Lock Washer
88126	5/8NC Nut	88129	5/8 Lock Washer
88110	3/4NC Nut	88130	3/4 Lock Washer
88371	7/8NC Nut	88341	7/8 Lock Washer

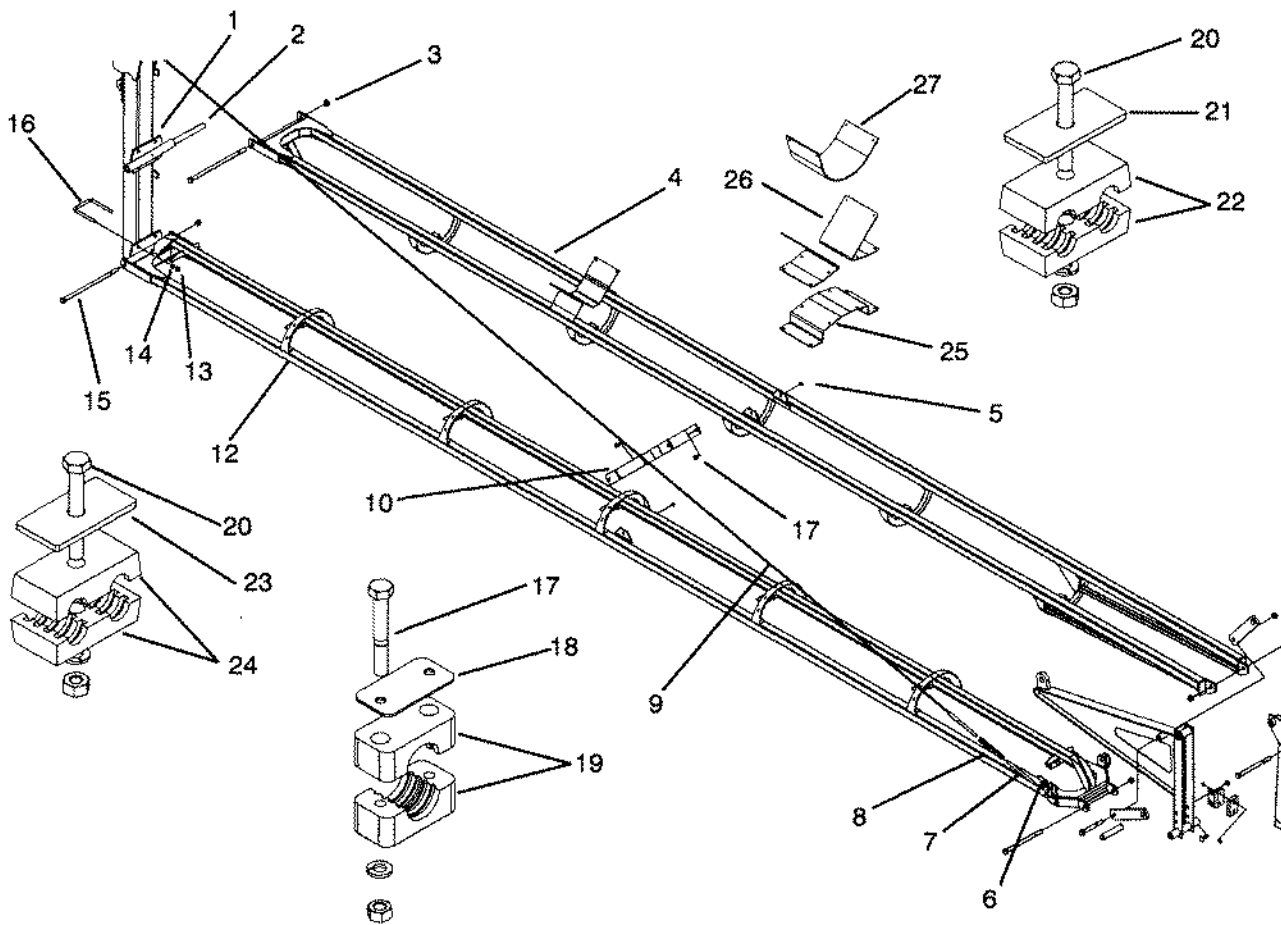
BOOM SUPPORT AND LIFT COMPONENTS



ITEM	PART NO	DESCRIPTION
1	223428	CENTER SUPPORT 3PT (GREEN)
	223454	CENTER SUPPORT 3PT (RED)
2	B140121616	BRASS BUSHING
3	88306	3/4NF LOCK NUT
4	223431	SELF LEVELER CONTROL ARM (GREEN)
	223457	SELF LEVELER CONTROL ARM (RED)
5	60012	SPRING PLUG ASSEMBLY (BLACK)
6	223424	UPPER CONTROL (GREEN)
	223452	UPPER CONTROL (RED)
7	88410	1/2NCx5-1/2 GR5 BOLT
8	89054	1/2" FLAT WASHER 1.062 OD
9	33515	1" SPRING TENSION BOLT
10	88574	1/2NCx5-1/2 GR5 BOLT
11	88363	1/2NC LOCK NUT
12	89273	5/8NF LOCK NUT
13	B6101201	O-WING HINGE PIN
14	88410	1/2NCx2-1/2 GR5 BOLT
15	88192	3/4NFx7 GR5 BOLT
16	89273	5/8NF LOCK NUT
17	88358	5/16NF LOCK NUT
18	88807	5/16NFx3/4 GR5 BOLT
19	88861	1/2NFx2 GR5 BOLT
20	23153	1/2NCx2 BR5 BOLT (FULL THREAD)
21	B112001	SHOCK ABSORBER
22	88183	5/8NFx2-1/2 GR5 BOLT
23	88504	1/4NCx1-1/2 GR5 BOLT
24	58801	BUMPER PAD
25	89331	1NFx6 GR5 BOLT
26	88169	1NF LOCK NUT
27	88172	1/4NC NUT

ITEM	PART NO.	DESCRIPTION
28	89250	1/2NF JAM NUT
29	88892	1/2NFx1-1/2 GR5 BOLT
30	89223	1NFx8 GR5 BLOT
31	223424	UPPER CONTROL (GREEN)
	223452	UPPER CONTROL (RED)
32	221344	HINGE PIVOT PIN (10Dx5-1/8)
33	88203	1/4NCx1 GR5 BOLT
34	223235	SELF LEVELER SLIDE
35	88183	5/8NFx2-1/2 BR5 BOLT
36	46364	SHOCK ABSORBER

INNER BOOM COMPONENTS



ITEM	PART NO	DESCRIPTION
1	223423	WING MOUNT (GREEN)
	223451	WING MOUNT (RED)
2	223279	WING MOUNT BUSHING
3	88126	5/8NC NUT
4	223420	FIRST WING UPPER 90° (GREEN)
	223448	FIRST WING UPPER 90° (RED)
5	88103	3/8NC NUT
6	223393	ROD END
7	223241	CABLE ADJUSTMENT BOLT
8	223240	1/2x6 TURNBUCKLE BODY
9	223398	90° BOOM CABLE
10	223418	FIRST WING CONTROL (GREEN)
	223446	FIRST WING CONTROL (RED)
11	220930	3/8NCx1/2x3/8 SHOULDER BOLT
12	223419	FIRST WING LOWER (GREEN)
	223447	FIRST WING LOWER (RED)
13	88104	1/2NC NUT
14	88303	1/2 LOCK WASHER
15	88490	5/8NCx14 GR5 BOLT
16	89270	1/2NCx4x5-1/4 U-BOLT
17	88171	1/4NCx2-1/2 GR5 BOLT

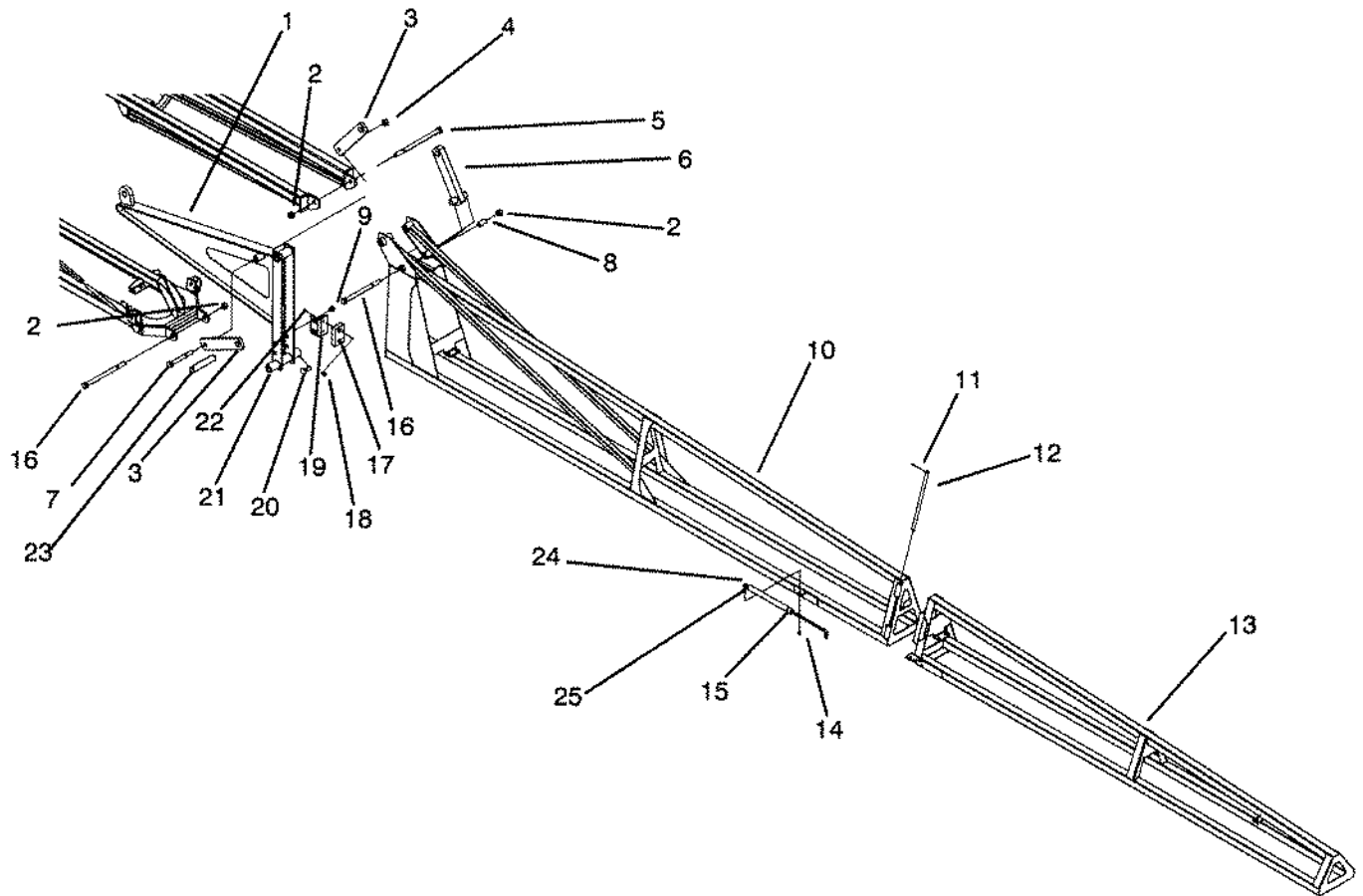
ITEM	PART NO	DESCRIPTION
18	B112481	COVER PLATE CLAMP
19	B112210	PLASTIC HALF CLAMP (2)
20	88480	5/16x1-3/4 GR5 BOLT
21	221445	COVER PLATE
22	221444	DOUBLE CLAMP BODY (PAIR)
23	221445	COVER PLATE
24	B112211	PLASTIC HALF CLAMP (2)
25	236236	CHANNEL WING CRADLE
26	236237	GUIDE ANGLE
27	234459	BOOM PROTECTOR

Note: Standard nuts and lock washers are not called out. Anything other than standard will be called out.

STANDARD NUTS AND LOCK WASHERS

88172	1/4NC Nut	88262	1/4 Lock Washer
88103	3/8NC Nut	88362	3/8 Lock Washer
88104	1/2NC Nut	88303	1/2 Lock Washer
88126	5/8NC Nut	88129	5/8 Lock Washer
88110	3/4NC Nut	88130	3/4 Lock Washer
88371	7/8NC Nut	88341	7/8 Lock Washer

OUTER BOOM COMPONENTS



ITEM	PART NO	DESCRIPTION	ITEM	PART NO	DESCRIPTION
1	223417	2ND WING CONTROL (GREEN)	14	88127	5/16NC
	223445	2ND WING CONTROL (RED)	15	B112001	SHOCK ABSORBER
2	88369	5/8NC LOCK NUT	16	89098	5/8NCx8-1/2 GR5 BOLT
3	223415	PLATE, 2ND WING CONTROL (GREEN)	17	58801	RUBBER BUMPER
	B7203	PLATE, 2ND WING CONTROL (RED)	18	89028	1/4NCx1-1/4 GR5 BOLT
4	89273	5/8NF LOCK NUT	19	223416	2ND WING STOP PLATE (GREEN)
5	88565	5/8NCx9-1/2 GR5 BOLT		223444	2ND WING STOP PLATE (RED)
6	223414	2ND WING CONTROL ARM (GREEN)	20	88690	1/2NCx1 CARRIAGE BOLT
	B7204101	2ND WING CONTROL ARM (RED)	21	223417	2ND WING CONTROL (GREEN)
7	89210	5/8NFx5-1/2 GR5 BOLT		223445	2ND WING CONTROL (RED)
8	B140101224	BUSHING 5/8IDx3/4ODx1-1/2	22	88172	1/4NC NUT
9	89064	1/2NC FLANGE NUT			
10	223412	2ND WING RH 90' (GREEN)			
	223442	2ND WING RH 90' (RED)			
	223413	2ND WING LH 90' (GREEN)			
	223443	2ND WING LH 90' (RED)			
	236231	2ND WING RH 80' (GREEN)			
	236232	2ND WING RH 80' (RED)			
	236233	2ND WING LH 80' (GREEN)			
	236234	2ND WING LH 80' (RED)			
11	89018	1/8x1 ROLL PIN			
12	223236	BREAK AWAY PIN			
13	223464	BREAKAWAY RIGHT 90' (GREEN)			
	223464	BREAKAWAY RIGHT 90' (RED)			
	223411	BREAKAWAY LEFT 90' (GREEN)			
	223411	BREAKAWAY LEFT 90' (RED)			
	236266	BREAKAWAY RIGHT 88' (GREEN)			
	236267	BREAKAWAY RIGHT 88' (RED)			
	236268	BREAKAWAY LEFT 88' (GREEN)			
	236269	BREAKAWAY LEFT 88' (RED)			

Note: Standard nuts and lock washers are not called out. Anything other than standard will be called out.

STANDARD NUTS AND LOCK WASHERS

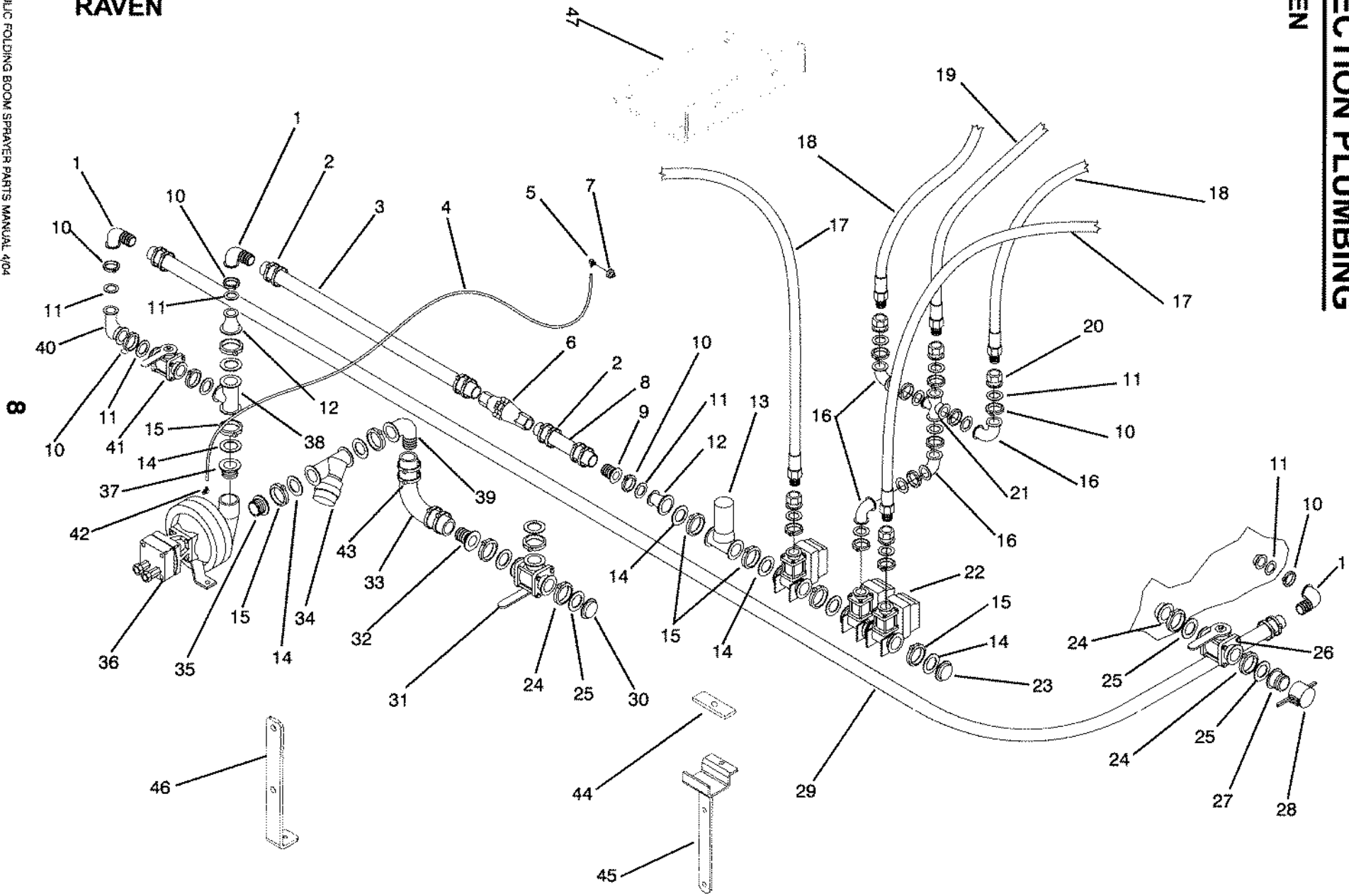
88172	1/4NC Nut	88262	1/4 Lock Washer
88103	3/8NC Nut	88362	3/8 Lock Washer
88104	1/2NC Nut	88303	1/2 Lock Washer
88126	5/8NC Nut	88129	5/8 Lock Washer
88110	3/4NC Nut	88130	3/4 Lock Washer
88371	7/8NC Nut	88341	7/8 Lock Washer

3 SECTION PLUMBING

RAVEN

3 SECTION PLUMBING

RAVEN

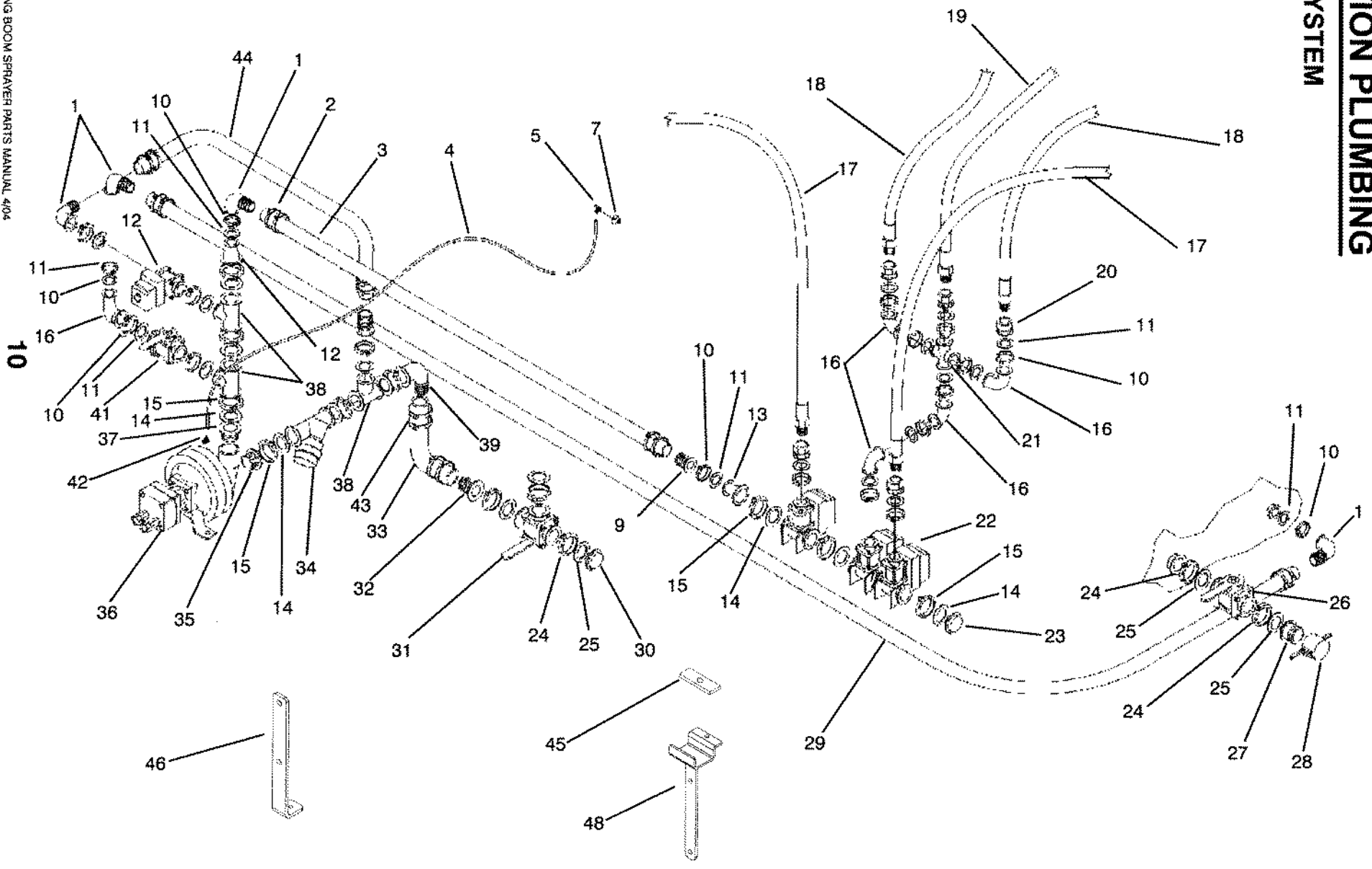


ITEM	PART NO	DESCRIPTION
1	223365	1" F x 1-1/4 HB 90 DEGREE FITTING
2	223474	2-14" HOSE CLAMP
3	B112502	1.25 MULTIPURPOSE HOSE (36")
4	223551	1/4x50 HOSE
5	223549	1/4" HB PUSH-IN FITTING
6	60161	FLOW METER
7	223550	RUBBER GROMET
8	B112502	1.25 MULTIPURPOSE HOSE (8")
9	223366	1" FLANGE x 1-1/4" HB FITTING
10	223364	1" CLAMP
11	223363	1" GASKET
12	223362	2" FLANGE x 1" FLANGE REDUCER
13	60164	1" POLY CONTROL VALVE
14	223357	2" GASKET
15	223356	2" CLAMP
16	223371	1" FLANGE x 1" FLANGE 90 DEGREE FITTING
17	223093	3/4 FJIC x 3/4 MPT x 370 HOSE 600PSI
18	223092	3/4 FJIC x 3/4 MPT x 246 HOSE 600PSI
19	223091	3/4 FJIC x 3/4 MPT x 150 HOSE 600PSI
20	223368	1" FLANGE x 3/4" FPT FITTING
21	223370	1" FLANGE CROSS
22	223376	MANIFOLD (3 VALVES)

ITEM	PART NO	DESCRIPTION
23	223373	2" FLANGE PLUG
24	223352	2" FULL PORT CLAMP
25	223351	2" FULL PORT GASKET
26	223347	2" FPF BALL VALVE
27	223348	2" MALE ADAPTER
28	223349	CAP 2" MALE ADAPTER
29	B112502	1.25" MULTIPURPOSE HOSE 136"
30	223374	2" FLANGE FULL PORT PLUG
31	223353	2" 3-WAY BOTTOM LOAD VALVE
32	223355	2" FLANGE x 2" HB FITTING
33	46491	2" TRANSFER TUBING
34	223358	2" LINE STRAINER
35	223359	2" FLANGE x 2" MPT FITTING
36	223392	CENTRIFUGAL PUMP
37	223360	2" FLANGE x 1-1/2" MPT FITTING
38	223361	2" FLANGE x 2" FLANGE x 1" FLANGE TEE
39	223517	2" FLANGE x 2" HB 90 DEGREE FITTING
40	223371	1" FLANGE x 1" FLANGE 90 DEGREE FITTING
41	223367	1" FLANGE BALL VALVE
42	223548	1/4 HB x 1/8 MPT 90 DEGREE FITTING
43	45741	3" HOSE CLAMP
44	15543	BASE PLATE
45	223399	MANIFOLD MOUNT
46	223477	PUMP BRACKET
47	223509	RADAR BRACKET
48	43642	JET AGITATOR W/ 1/8" ORIFICE

3 SECTION PLUMBING SPRAY SYSTEM

3 SECTION PLUMBING SPRAY SYSTEM



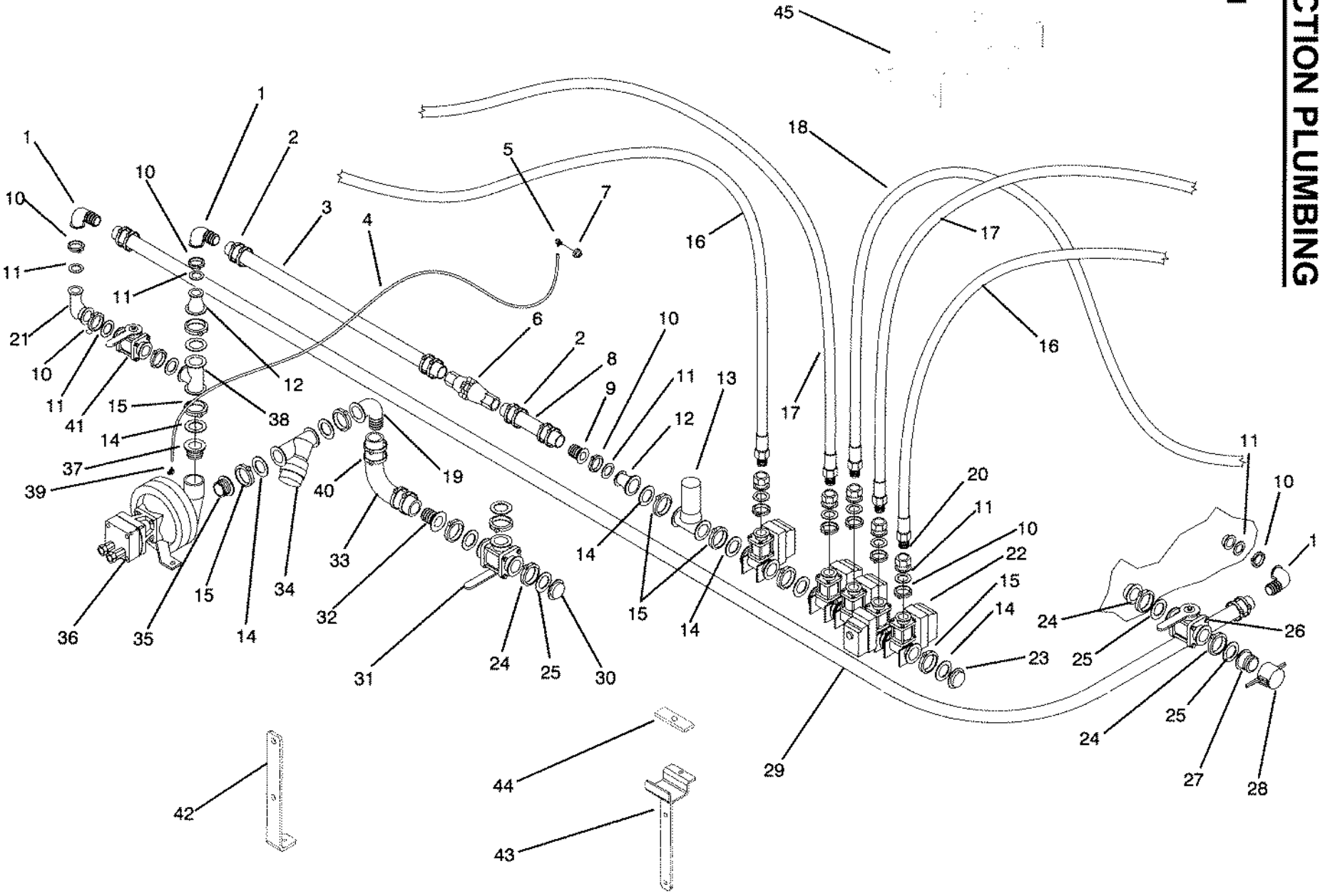
ITEM	PART NO	DESCRIPTION
1	223365	1" F x 1-1/4 HB 90 DEGREE FITTING
2	223474	2-14" HOSE CLAMP
3	B112502	1.25 MULTIPURPOSE HOSE (36")
4	223551	1/4x50 HOSE
5	223549	1/4" HB PUSH-IN FITTING
7	223550	RUBBER GROMET
8	B112502	1.25 MULTIPURPOSE HOSE (12")
9	223366	1" FLANGE x 1-1/4" HB FITTING
10	223364	1" CLAMP
11	223363	1" GASKET
12	223369	1" FLANGE REGULATING VALVE
13	223362	2" FLANGE x 1" FLANGE REDUCER
14	223357	2" GASKET
15	223356	2" CLAMP
16	223371	1" FLANGE x 1" FLANGE 90 DEGREE FITTING
17	223093	3/4 FJIC x 3/4 MPT x 370 HOSE 600 PSI
18	223092	3/4 FJIC x 3/4 MPT x 246 HOSE 600 PSI
19	223091	3/4 FJIC x 3/4 MPT x 150 HOSE 600 PSI
20	223368	1" FLANGE x 3/4" FPT FITTING
21	223370	1" FLANGE CROSS
22	223376	MANIFOLD (3 VALVES)

ITEM	PART NO	DESCRIPTION
23	223373	2"x1/8" FLANGE PLUG
24	223352	2" FULL PORT CLAMP
25	223351	2" FULL PORT GASKET
26	223347	2" FPF BALL VALVE
27	223348	2" MALE ADAPTER
28	223349	CAP 2" MALE ADAPTER
29	B112502	1-1/4x110" HOSE
30	223374	2" FLANGE FULL PORT PLUG
31	223353	2" 3-WAY BOTTOM LOAD VALVE
32	223354	2" FLANGE x 2" HB FITTING
33	46491	2" TRANSFER TUBING
34	223358	2" LINE STRAINER
35	223359	2" FLANGE x 2" MPT FITTING
36	223392	CENTRIFUGAL PUMP
37	223360	2" FLANGE x 1-1/2" MPT FITTING
38	223361	2" FLANGE x 2" FLANGE x 1" FLANGE TEE
39	223517	2" FLANGE x 2" HB 90 DEGREE FITTING
41	223367	1" FLANGE BALL VALVE
42	223548	1/4 HB x 1/8 MPT 90 DEGREE FITTING
43	45741	3" HOSE CLAMP
44	B112502	1-1/4" x 34" HOSE
45	15543	BASE PLATE
46	223477	PUMP BRACKET
47	43642	JET AGITATOR W/ 1/8" ORIFACE
48	223399	MANIFOLD MOUNT

5 SECTION PLUMBING

RAVEN

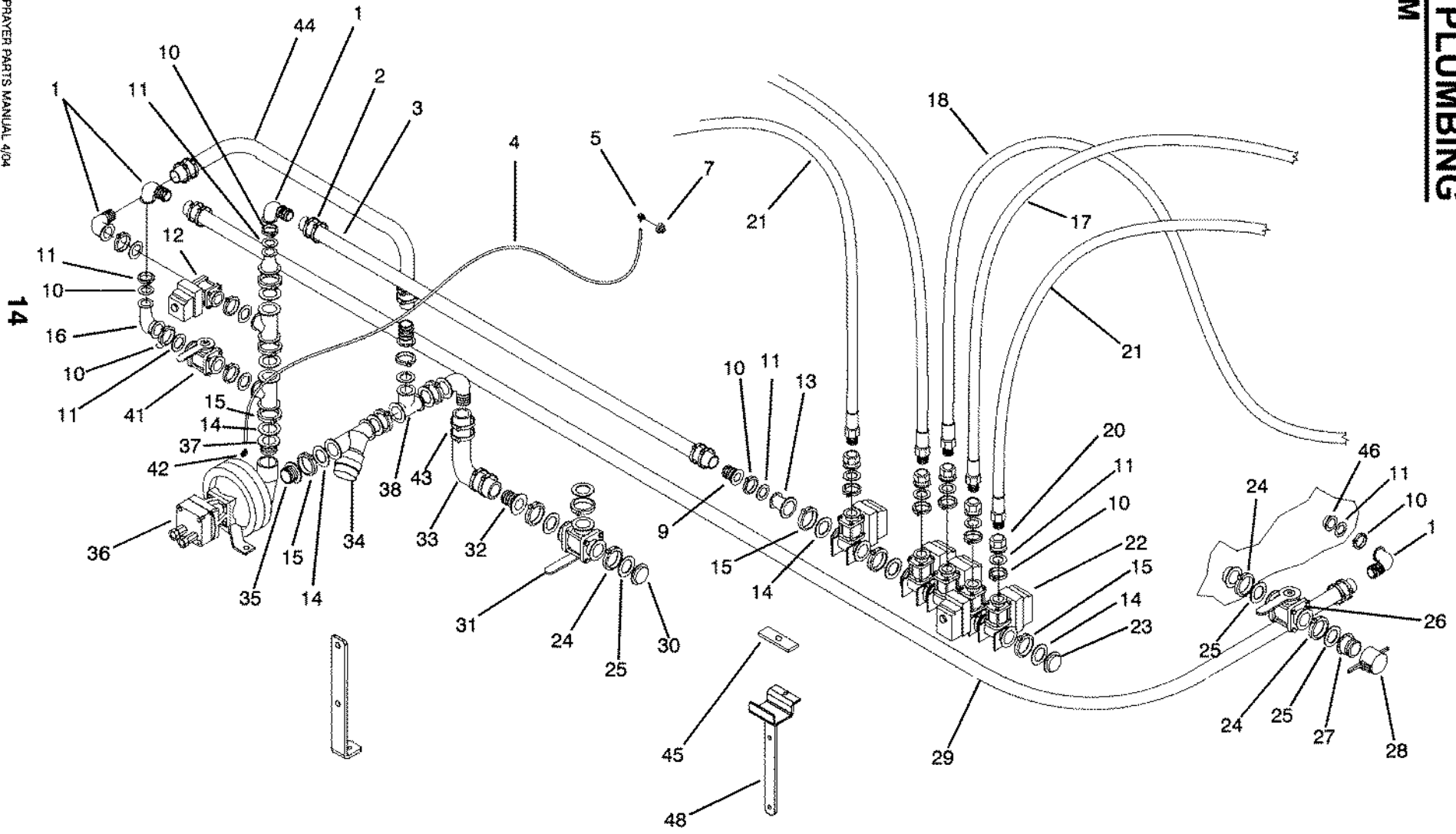
5 SECTION PLUMBING



ITEM	PART NO	DESCRIPTION	ITEM	PART NO	DESCRIPTION
1	223365	1"F x 1-1/4 HB 90 DEGREE FITTING	23	223373	2" FLANGE PLUG
2	223474	2-14" HOSE CLAMP	24	223352	2" FULL PORT CLAMP
3	B112502	1.25 MULTIPURPOSE HOSE (36")	25	223351	2" FULL PORT GASKET
4	223551	1/4x50 HOSE	26	223347	2" FPF BALL VALVE
5	223549	1/4"HB PUSH-IN FITTING	27	223348	2" MALE ADAPTER
6	60161	FLOW METER	28	223349	CAP 2" MALE ADAPTER
7	223550	RUBBER GROMET	29	223377	MANIFOLD, 5 VALVE
8	B112502	1.25 MULTIPURPOSE HOSE (8")	30	223374	2" FLANGE FULL PORT PLUG
9	223366	1"FLANGE x 1-1/4"HB FITTING	31	223353	2" 3-WAY BOTTOM LOAD VALVE
10	223364	1" CLAMP	32	223355	2"FLANGE x 2" HB FITTING
11	223363	1" GASKET	33	46491	2" TRANSFER TUBING
12	223362	2"FLANGE x 1"FLANGE REDUCER	34	223358	2" LINE STRAINER
13	60164	1" POLY CONTROL VALVE	35	223359	2"FLANGE x 2" MPT FITTING
14	223357	2" GASKET	36	223392	CENTRIFUGAL PUMP
15	223356	2" CLAMP	37	223360	2"FLANGE x 1-1/2" MPT FITTING
16	223508	3/4FJICx3/4MPTx473 HOSE 600PSI	38	223361	2"FLANGE x 2"FLANGE x 1"FLANGE TEE
17	223092	3/4FJICx3/4MPTx246 HOSE 600PSI	39	223548	1/4HB x 1/8MPT 90 DEGREE FITTING
18	223091	3/4FJICx3/4MPTx150 HOSE 600PSI	40	45741	3" HOSE CLAMP
19	223517	2"FLANGE x 2"HB 90 DEGREE FITTING	41	223367	1" FLANGE BALL VALVE
20	223368	1"FLANGE x 3/4" FPT FITTING	42	223477	PUMP BRACKET
21	223371	1"FLANGE x 1"FLANGE 90 DEGREE FITTING	43	223399	MANIFOLD MOUNT
22	223377	MANIFOLD (5 VALVES)	44	15543	BASE PLATE
			45	223509	RADAR BRACKET
			46	43642	JET AGITATOR W/ 1/8' ORIFICE

5 SECTION PLUMBING SPRAY SYSTEM

5 SECTION PLUMBING SPRAY SYSTEM

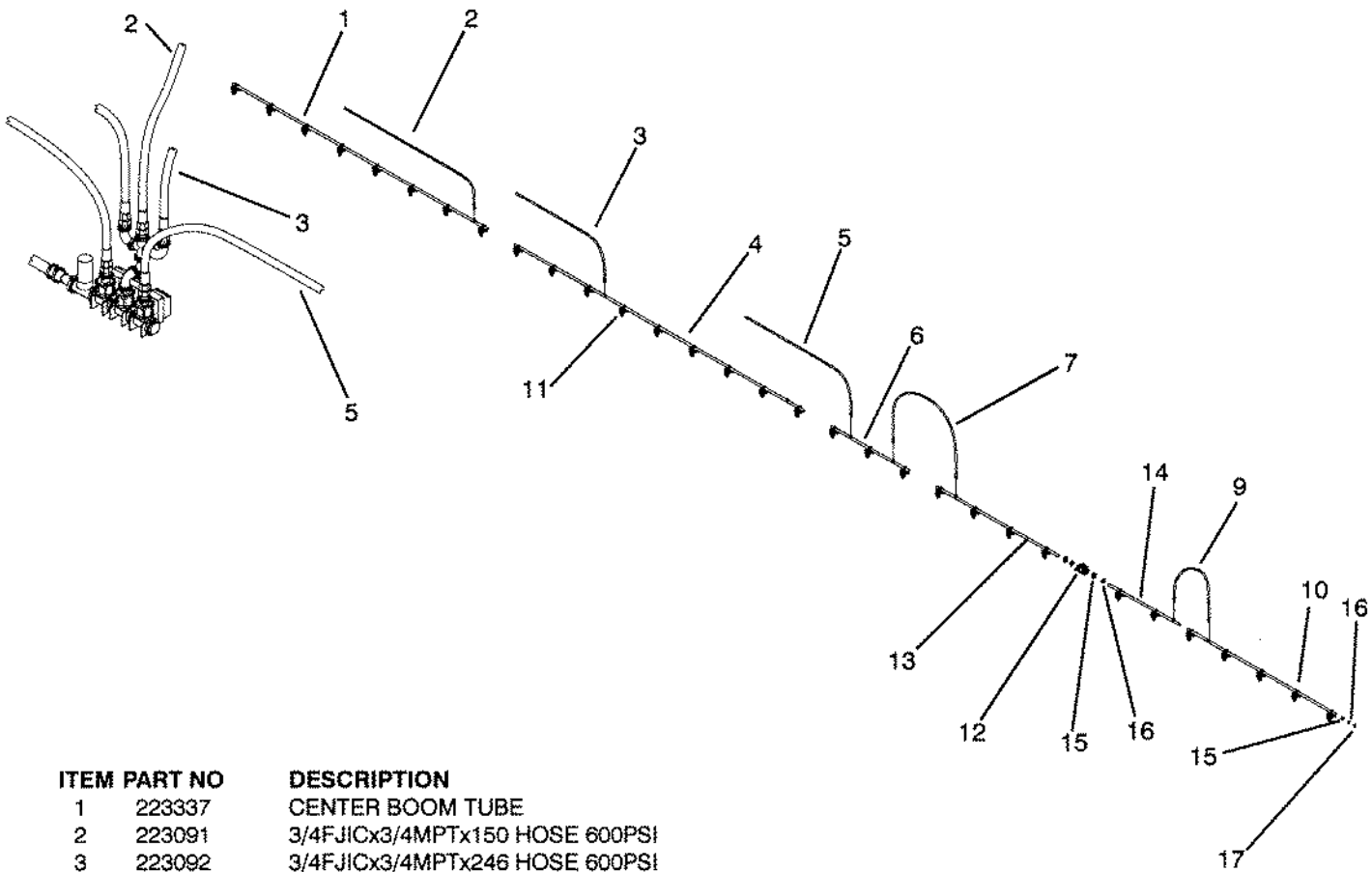


ITEM	PART NO	DESCRIPTION
1	223365	1"F x 1-1/4 HB 90 DEGREE FITTING
2	223474	2-14" HOSE CLAMP
3	B112502	1.25 MULTIPURPOSE HOSE (36")
4	223551	1/4x60 HOSE
5	223549	1/4"HB PUSH-IN FITTING
7	223550	RUBBER GROMET
8	B112502	1.25 MULTIPURPOSE HOSE (8")
9	223366	1"FLANGE x 1-1/4"HB FITTING
10	223364	1" CLAMP
11	223363	1" GASKET
12	223369	1"FLANGE REGULATING VALVE
13	223362	FITTING, 2"Fx1"F REDUCER
14	223357	2" GASKET
15	223356	2" CLAMP
16	223371	1" FLANGEx1" FLANGE 90° FITTING
17	223093	3/4FJICx3/4MPTx370" HOSE, 600 PSI
18	223092	3/4FJICx3/4MPTx246" HOSE, 600 PSI
19	223091	3/4FJICx3/4MPTx150" HOSE, 600 PSI
20	223368	1"FLANGEx3/4" FPT FITTING
21	223508	3/4FJICx3/4MPTx473 HOSE, 600 PSI
22	223377	MANIFOLD (5 VALVES)

ITEM	PART NO	DESCRIPTION
23	223373	2" FLANGE PLUG
24	223352	2" FULL PORT CLAMP
25	223351	2" FULL PORT GASKET
26	223347	2" FPF BALL VALVE
27	223348	2" MALE ADAPTER
28	223349	CAP 2" MALE ADAPTER
29	B112502	1-1/4" HOSE
30	223534	2" FLANGE FULL PORT PLUG
31	223353	2" 3-WAY BOTTOM LOAD VALVE
32	223354	2" FLANGEx2" HB FITTING
33	46491	2" TRANSFER TUBING
34	223358	2" LINE STRAINER
35	223359	2"FLANGEx2" MPT FITTING
36	223392	CENTRIFUGAL PUMP
37	223360	2" FLANGEx1-1/2" MPT FITTING
38	223361	2"FLANGEx2"FLANGEx1"FLANGE TEE
39	223517	2"FLANGEx2"HB 90° FITTING
41	223367	1" FLANGE BALL VALVE
42	223548	1/4"HBx1/8"MPT 90° FITTING
43	45741	3" HOSE CLAMP
44	B112502	1-1/4" HOSE
45	15543	BASE PLATE
46	43642	JET AGITATOR W/ 1/8" ORIFICE
47	223477	PUMP BRACKET
48	223399	MANIFOLD MOUNT

WET BOOM PLUMBING

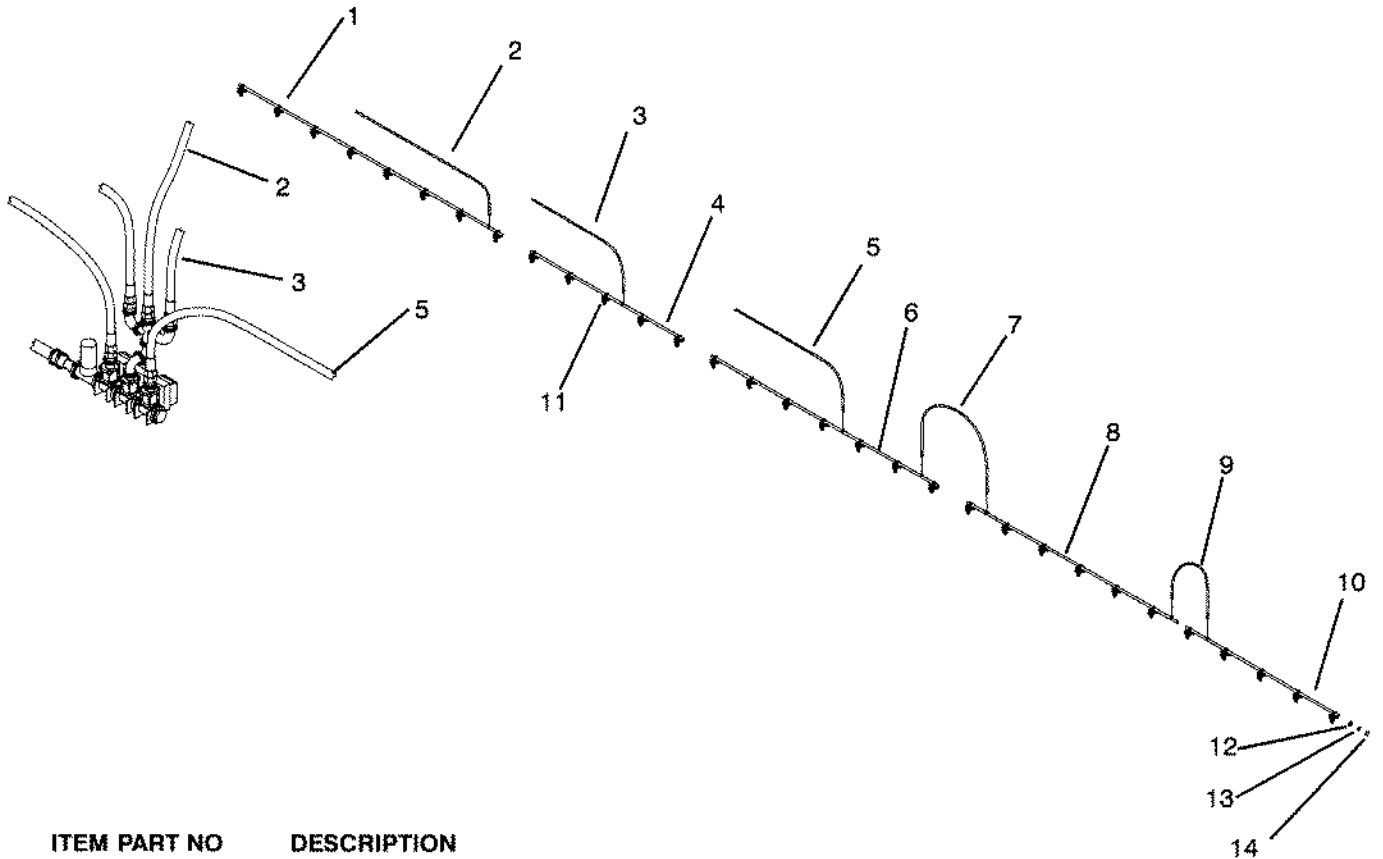
3 SECTION 23/44/23



ITEM	PART NO	DESCRIPTION
1	223337	CENTER BOOM TUBE
2	223091	3/4FJICx3/4MPTx150 HOSE 600PSI
3	223092	3/4FJICx3/4MPTx246 HOSE 600PSI
4	223482	FIRST WING INNER TUBE - RIGHT
	223483	FIRST WING INNER TUBE - LEFT
5	223097	3/4FJICx3/4MPTx406 HOSE 600PSI
6	223484	FIRST WING OUTER TUBE - RIGHT
	223485	FIRST WING OUTER TUBE - LEFT
7	223094	3/4FJICx3/4MPTx57 HOSE 600PSI
8	223220	SECOND WING TUBE - RIGHT
	223221	SECOND WING TUBE - LEFT
9	223095	3/4FJICx3/4MPTx36 HOSE 600PSI
10	223218	BREAKAWAY TUBE - RIGHT
	223219	BREAKAWAY TUBE - LEFT
11	223512	NOZZLE BODY SINGLE HYPRO
	223511	TRIPPLE NOZZLE BODY
	60194	QUICK TEEJET CAP BLUE
12	223367	1" BALL VALVE
13	235651	SECOND WING TUBE - RIGHT
	235655	SECOND WING TUBE - LEFT
14	235653	SECOND WING TUBE EXT - RIGHT
	235657	SECOND WING TUBE EXT - LEFT
15	223363	1" GASKET
16	223364	1" CLAMP
17	234463	1" PLUG

WET BOOM PLUMBING

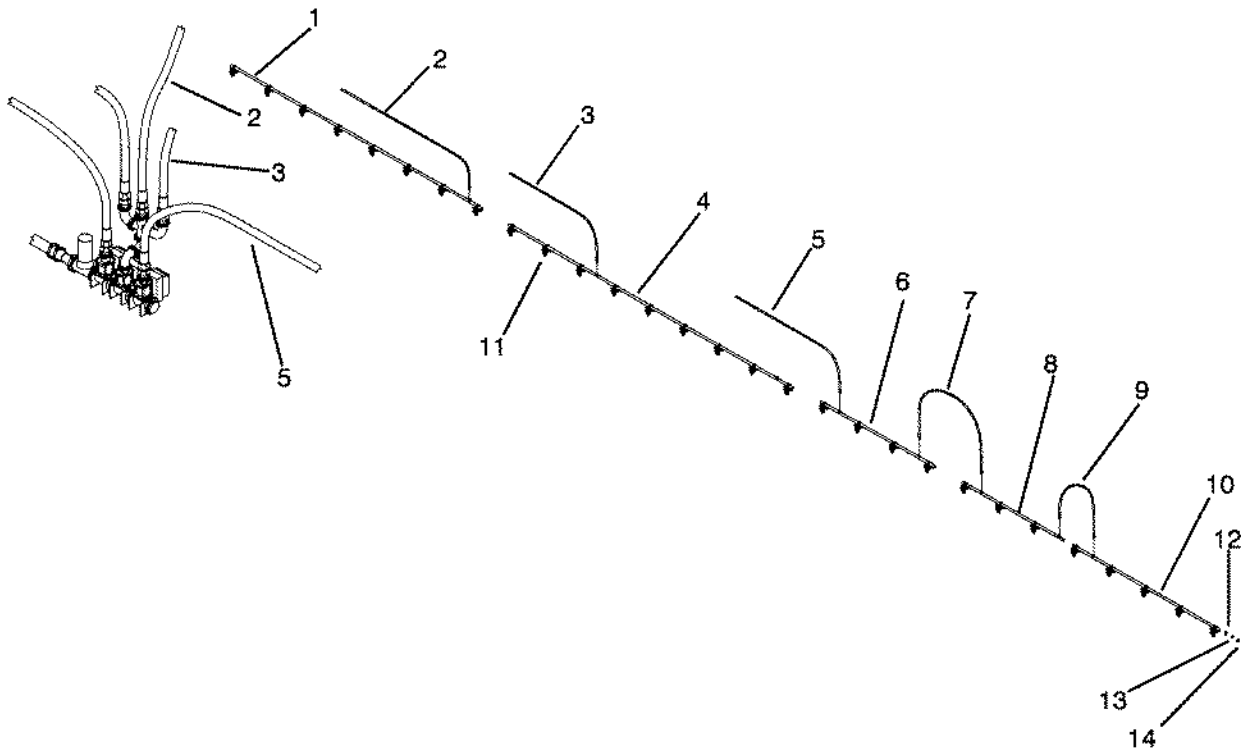
3 SECTION 30/30/30



ITEM	PART NO	DESCRIPTION
1	223337	CENTER BOOM TUBE
2	223091	3/4FJICx3/4MPTx150 HOSE 600PSI
3	223092	3/4FJICx3/4MPTx246 HOSE 600PSI
4	223238	FIRST INNER WING HALF TUBE - RIGHT
	223336	FIRST INNER WING HALF TUBE - LEFT
5	223093	3/4FJICx3/4MPTx370 HOSE 600PSI
6	223222	FIRST OUTER WING TUBE - RIGHT
	223237	FIRST OUTER WING TUBE - LEFT
7	223094	3/4FJICx3/4MPTx57 HOSE 600PSI
8	223220	SECOND WING TUBE - RIGHT
	223221	SECOND WING TUBE - LEFT
9	223095	3/4FJICx3/4MPTx36 HOSE 600PSI
10	223218	BREAKAWAY TUBE - RIGHT
	223219	BREAKAWAY TUBE - LEFT
11	223512	NOZZLE BODY SINGLE HYPRO
	223511	TRIPPLE NOZZLE BODY
	60194	QUICK TEEJET CAP BLUE

WET BOOM PLUMBING

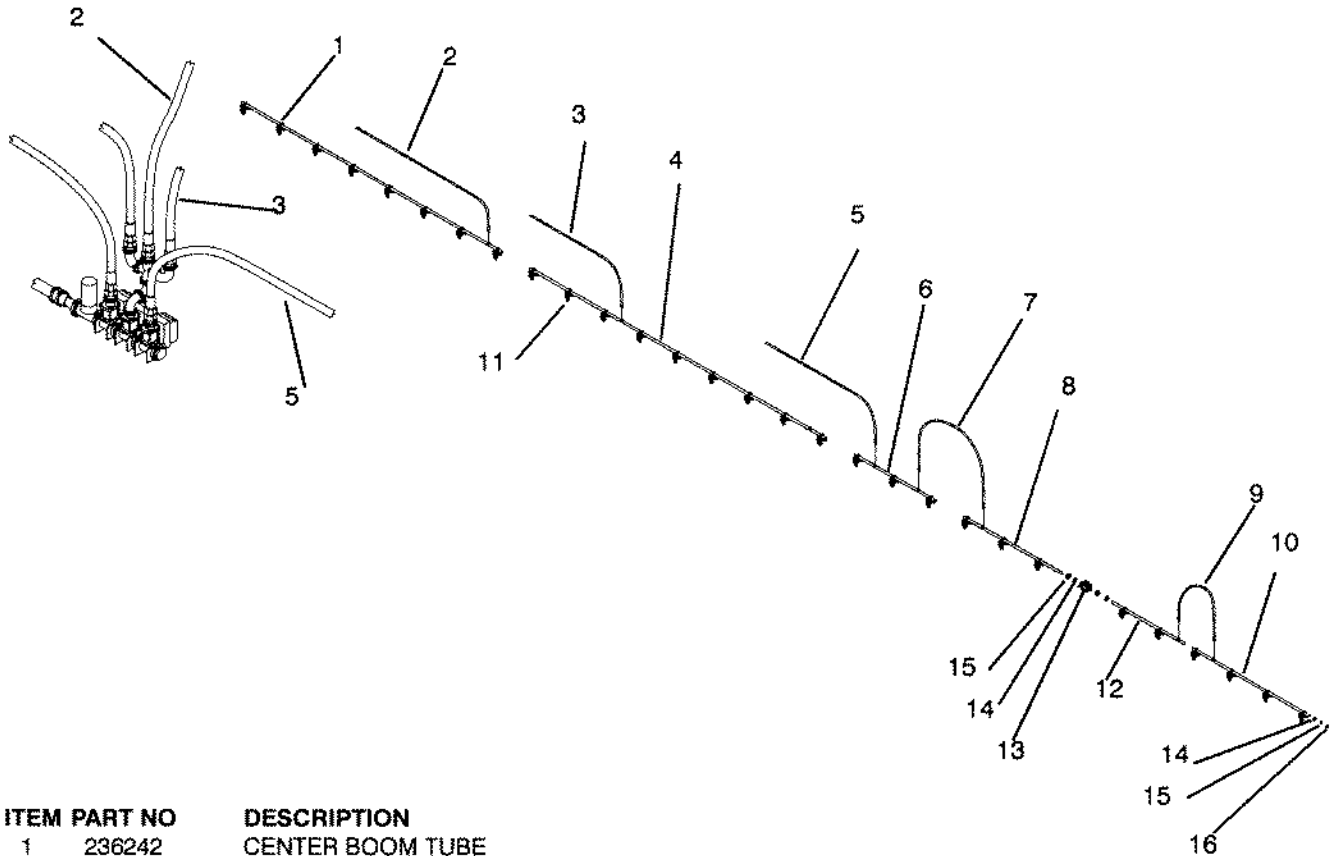
3 SECTION 20/40/20



ITEM	PART NO	DESCRIPTION
1	223337	CENTER BOOM TUBE
2	223091	3/4FJICx3/4MPTx150 HOSE 600PSI
3	223092	3/4FJICx3/4MPTx246 HOSE 600PSI
4	236225	FIRST BOOM 5 SECTION - RIGHT
	236226	FIRST BOOM 5 SECTION - LEFT
5	223297	3/4FJICx3/4MPTx406 HOSE 600PSI
6	236223	SECOND WING TUBE - RIGHT
	236224	SECOND WING TUBE - LEFT
7	223094	3/4FJICx3/4MPTx57 HOSE 600PSI
8	236224	SECOND WING TUBE - RIGHT
	236222	SECOND WING TUBE - LEFT
9	223095	3/4FJICx3/4MPTx36 HOSE 600 PSI
10	223218	BREAKAWAY TUBE - RIGHT
	223219	BREAKAWAY TUBE - LEFT
11	223512	NOZZLE BODY SINGLE HYPRO
	223511	TRIPPLE NOZZLE BODY
	60194	QUICK TEEJET CAP BLUE
12	223363	1" GASKET
13	223364	1" CLAMP
14	234463	1" PLUG

WET BOOM PLUMBING

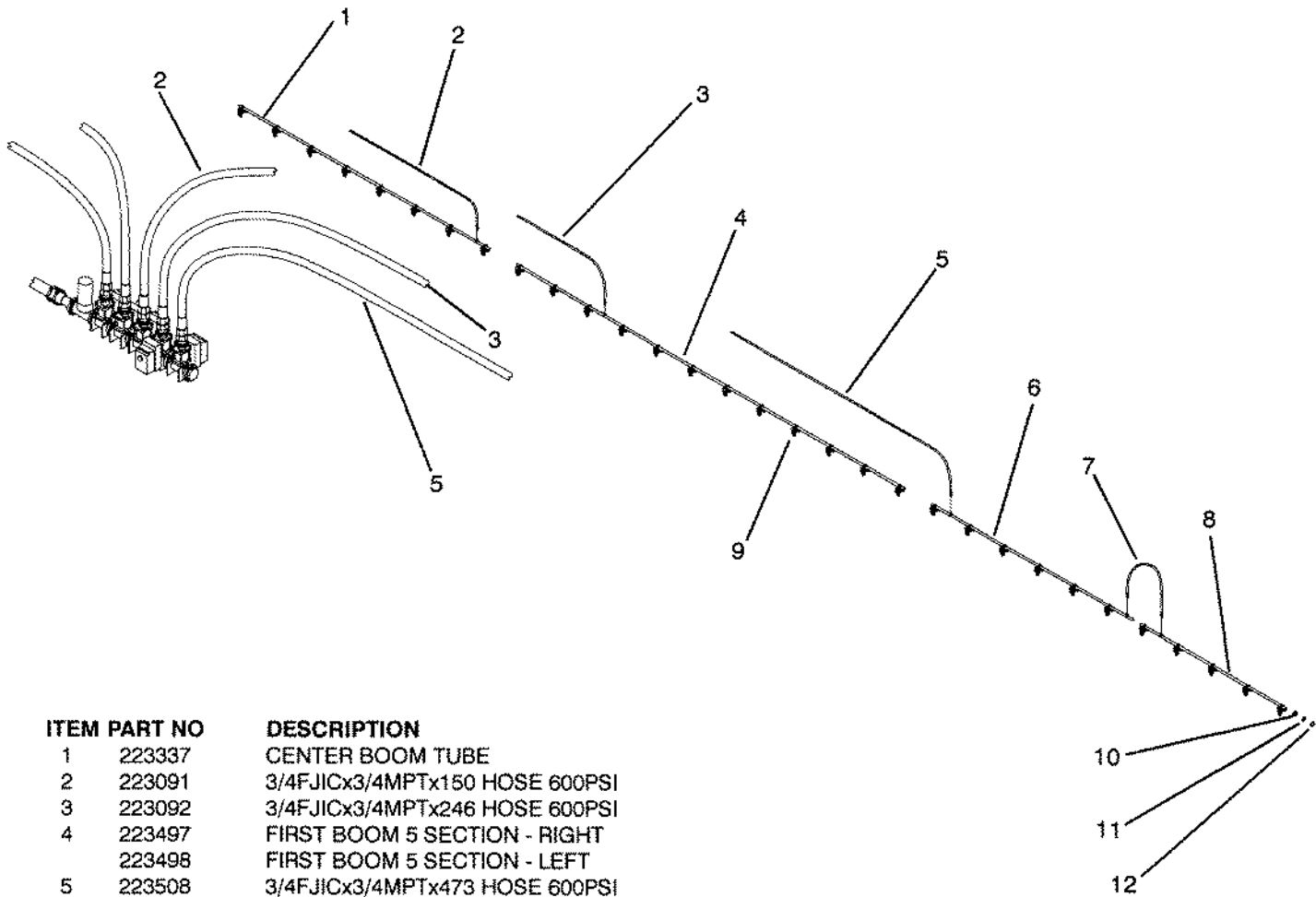
3 SECTION 22/44/22



ITEM	PART NO	DESCRIPTION
1	236242	CENTER BOOM TUBE
2	223091	3/4FJICx3/4MPTx150 HOSE 600PSI
3	223092	3/4FJICx3/4MPTx246 HOSE 600PSI
4	236244	FIRST WING INNER TUBE - RIGHT
	236246	FIRST WING INNER TUBE - LEFT
5	223297	3/4FJICx3/4MPTx406 HOSE 600PSI
6	236248	FIRST WING OUTER TUBE - RIGHT
	236250	FIRST WING OUTER TUBE - LEFT
7	223094	3/4FJICx3/4MPTx57 HOSE 600PSI
8	236252	SECOND WING TUBE - RIGHT
	236259	SECOND WING TUBE - LEFT
9	223095	3/4FJICx3/4MPTx36 HOSE 600PSI
10	236260	BREAKAWAY TUBE - RIGHT
	236262	BREAKAWAY TUBE - LEFT
11	223512	NOZZLE BODY SINGLE HYPRO
	223511	TRIPPLE NOZZLE BODY
	60194	QUICK TEEJET CAP BLUE
12	236256	SECOND WING TUBE EXT - RIGHT
	236258	SECOND WING TUBE EXT - LEFT
13	223367	1" BALL VALVE
14	223363	1" GASKET
15	223364	1" CLAMP
16	234463	1" PLUG

WET BOOM PLUMBING

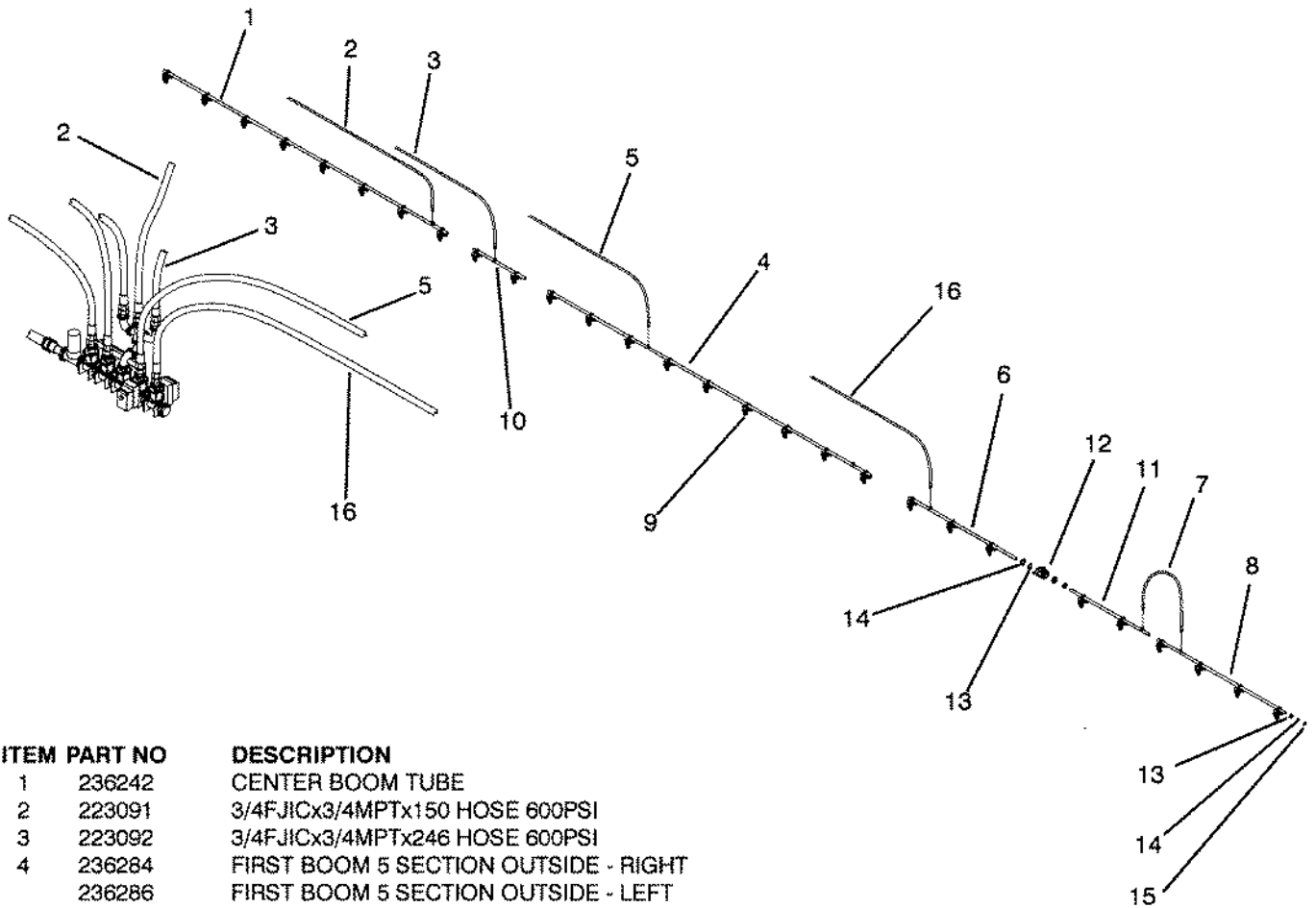
5 SECTION



ITEM	PART NO	DESCRIPTION
1	223337	CENTER BOOM TUBE
2	223091	3/4FJICx3/4MPTx150 HOSE 600PSI
3	223092	3/4FJICx3/4MPTx246 HOSE 600PSI
4	223497	FIRST BOOM 5 SECTION - RIGHT
	223498	FIRST BOOM 5 SECTION - LEFT
5	223508	3/4FJICx3/4MPTx473 HOSE 600PSI
6	223220	SECOND WING TUBE - RIGHT
	223221	SECOND WING TUBE - LEFT
7	223095	3/4FJICx3/4MPTx36 HOSE 600PSI
8	223218	BREAKAWAY TUBE - RIGHT
	223219	BREAKAWAY TUBE - LEFT
9	223512	NOZZLE BODY SINGLE HYPRO
	223511	TRIPPLE NOZZLE BODY
	60194	QUICK TEEJET CAP BLUE
10	223363	1" GASKET
11	223364	1" CLAMP
12	234463	1" PLUG

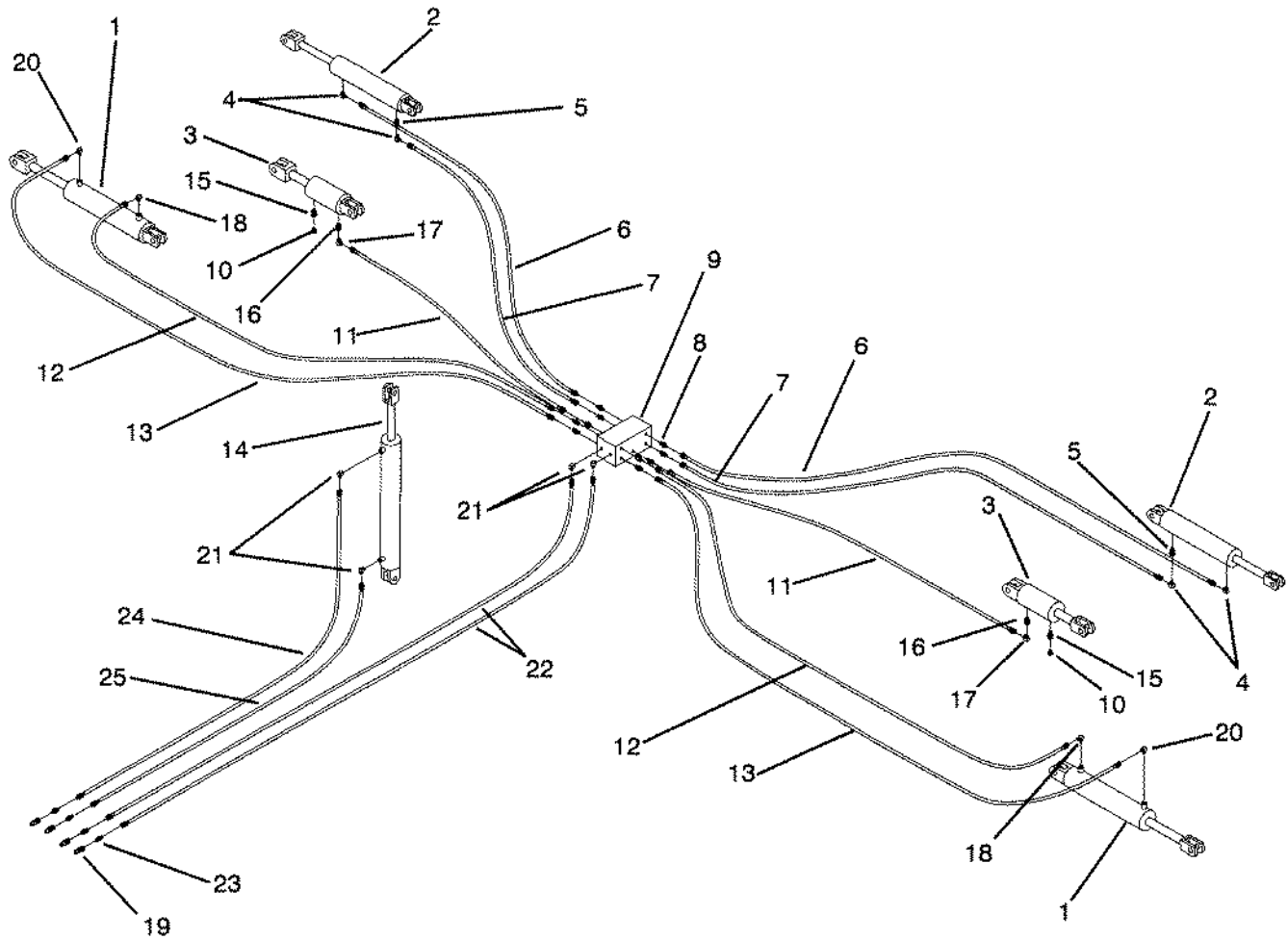
WET BOOM PLUMBING

5 SECTION 11/22/22/22/11



ITEM	PART NO	DESCRIPTION
1	236242	CENTER BOOM TUBE
2	223091	3/4FJICx3/4MPTx150 HOSE 600PSI
3	223092	3/4FJICx3/4MPTx246 HOSE 600PSI
4	236284	FIRST BOOM 5 SECTION OUTSIDE - RIGHT
	236286	FIRST BOOM 5 SECTION OUTSIDE - LEFT
5	223093	3/4FJICx3/4MPTx370 HOSE 600PSI
6	236252	SECOND WING TUBE - RIGHT
	236254	SECOND WING TUBE - LEFT
7	223095	3/4FJICx3/4MPTx36 HOSE 600PSI
8	236260	BREAKAWAY TUBE - RIGHT
	236262	BREAKAWAY TUBE - LEFT
9	223512	NOZZLE BODY SINGLE HYPRO
	223511	TRIPPLE NOZZLE BODY
	60194	QUICK TEEJET CAP BLUE
10	236280	FIRST BOOM 5 SECTION INSIDE - RIGHT
	236282	FIRST BOOM 5 SECTION INSIDE - LEFT
11	236288	SECOND WING TUBE - OUTER RIGHT
	236292	SECOND WING TUBE - OUTER LEFT
12	223367	1" BALL VALVE
13	223363	1" GASKET
14	223364	1" CLAMP
15	234463	1" PLUG
16	236278	3/4FJICx3/4MPTx550 HOSE 600 PSI

3PT SPRAYER HYDRAULICS



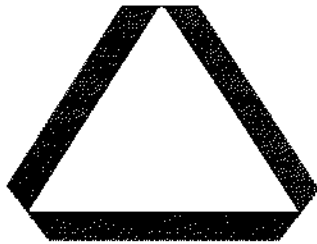
ITEM	PART NO	DESCRIPTION
1	B113145	3x14 WELDED CYLINDER
	235001	HYD CYLINDER SEAL KIT
2	B113102	2-1/2x10 TIE ROD CYLINDER
	221746	2-1/2" CYLINDER REPAIR KIT
3	B113137	3x4 TIE ROD CYLINDER
	235003	HYD CYLINDER SEAL KIT
4	58539	3/8NPTx9/16JIC ELBOW (MM)
5	17237	3/8 CYL PORT W/RESTRICTOR
6	b780005	1/4x60 HOSE (FF)
7	b780004	1/4x48 HOSE (FF)
8	67140	9/16ORB(M)x9/16JIC(M) ADPTR
9	b113125	VALVE BANK HYD SOLENOID
10	15208	3/8 PORT BREATHER FILTER
11	b780006	1/4x76 HOSE (FF)
12	b780007	1/4x324 HOSE (FF)
13	b780008	1/4x336 HOSE (FF)
14	220390	2-1/2x30 TIE ROD CYLINDER

ITEM	PART NO	DESCRIPTION
15	88146	1/2NPT TO 3/8NPT HYD REDUCER
16	24627	1/2NPTx1/2NPT SF RESTRICTOR
17	24698	90 DEG HYD ELBOW
18	58694	3/4ORBx9/16JIC SF RESTRICTOR
19	60640	QUICK DISCONNECT COUPLER
20	24104	3/4ORB(M)x9/16JIC(M)
21	25580	3/4JICx3/4ORB HYD ELBOW
22	56540	3/8x89 HOSE (FF)
23	13234	3/4JICx1/2NPT COUPLER ADAPTER
24	25604	3/8x83 HOSE (FF)
25	56539	3/8x50 HOSE (FF)

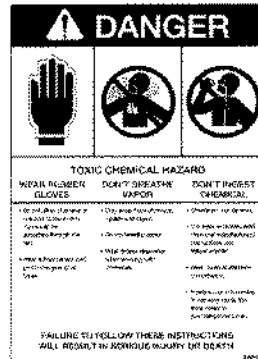


WIL-RICH

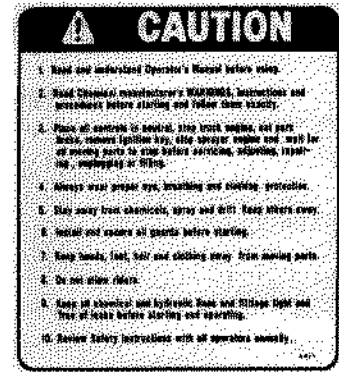
64402 WIL-RICH DECAL 1-1/8x7-3/8
64404 WIL-RICH DECAL 3x19-7/8



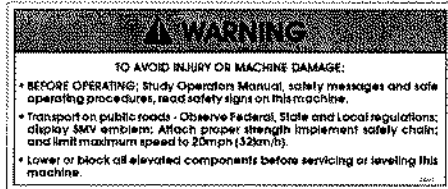
223339 ADHESIVE BACKED SMV



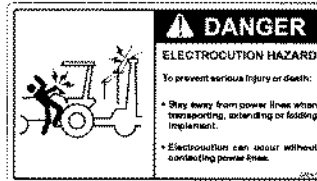
58005 CHEMICAL CAUTION DECAL



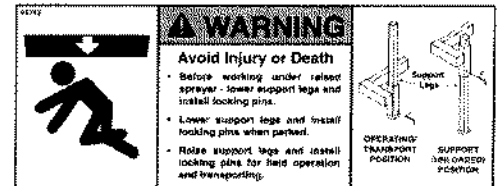
B112403 READ MANUAL DECAL



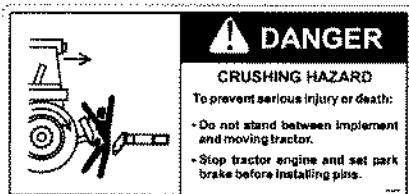
24227 READ MANUAL DECAL



222801 ELECTROCUTION DECAL



65753 OVERHEAD HAZARD DECAL



222802 CRUSHING DECAL



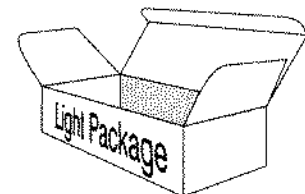
223118 FLUORESCENT ORANGE DECAL



22371 RED REFLECTOR

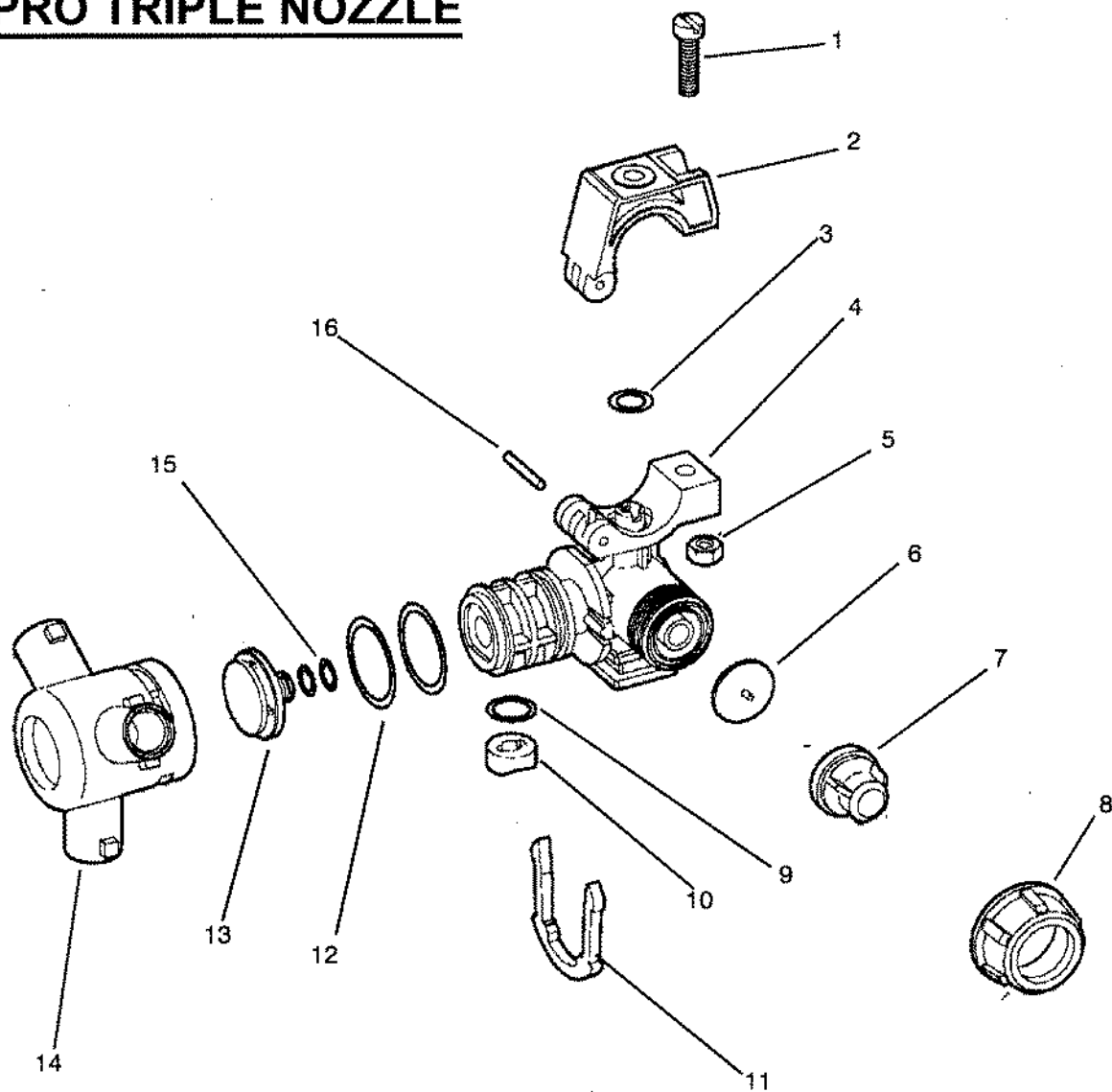


22372 AMBER REFLECTOR



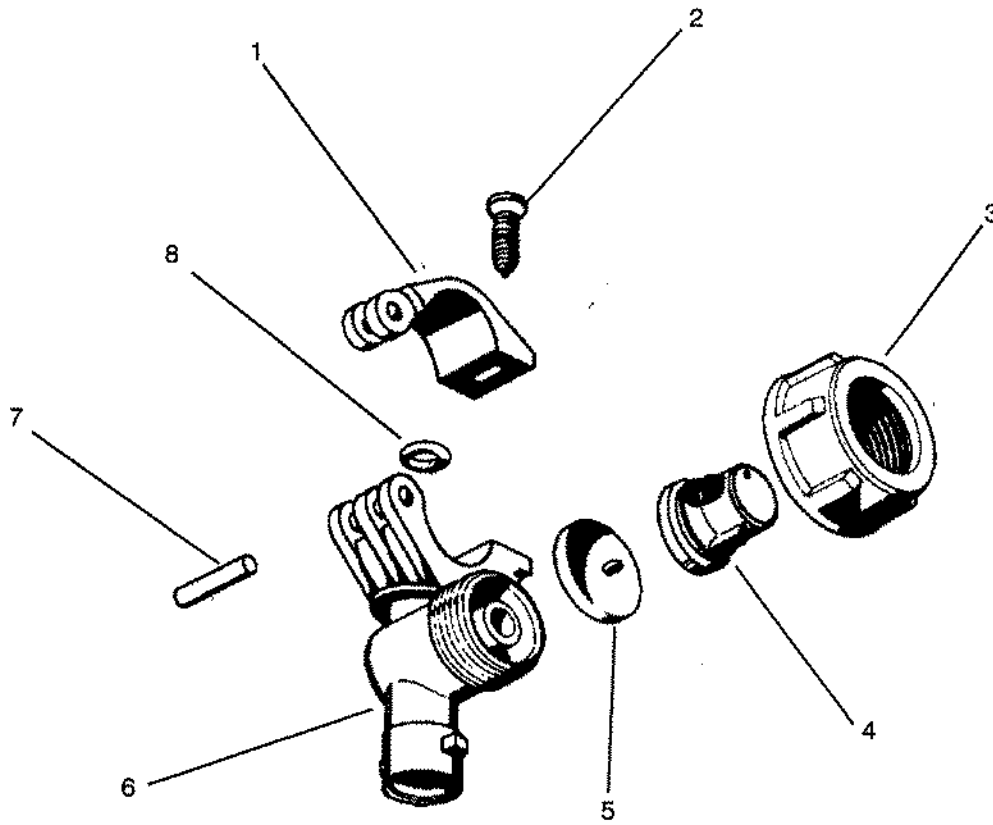
223190 CLEARANCE LIGHT PACKAGE

HYPRO TRIPLE NOZZLE



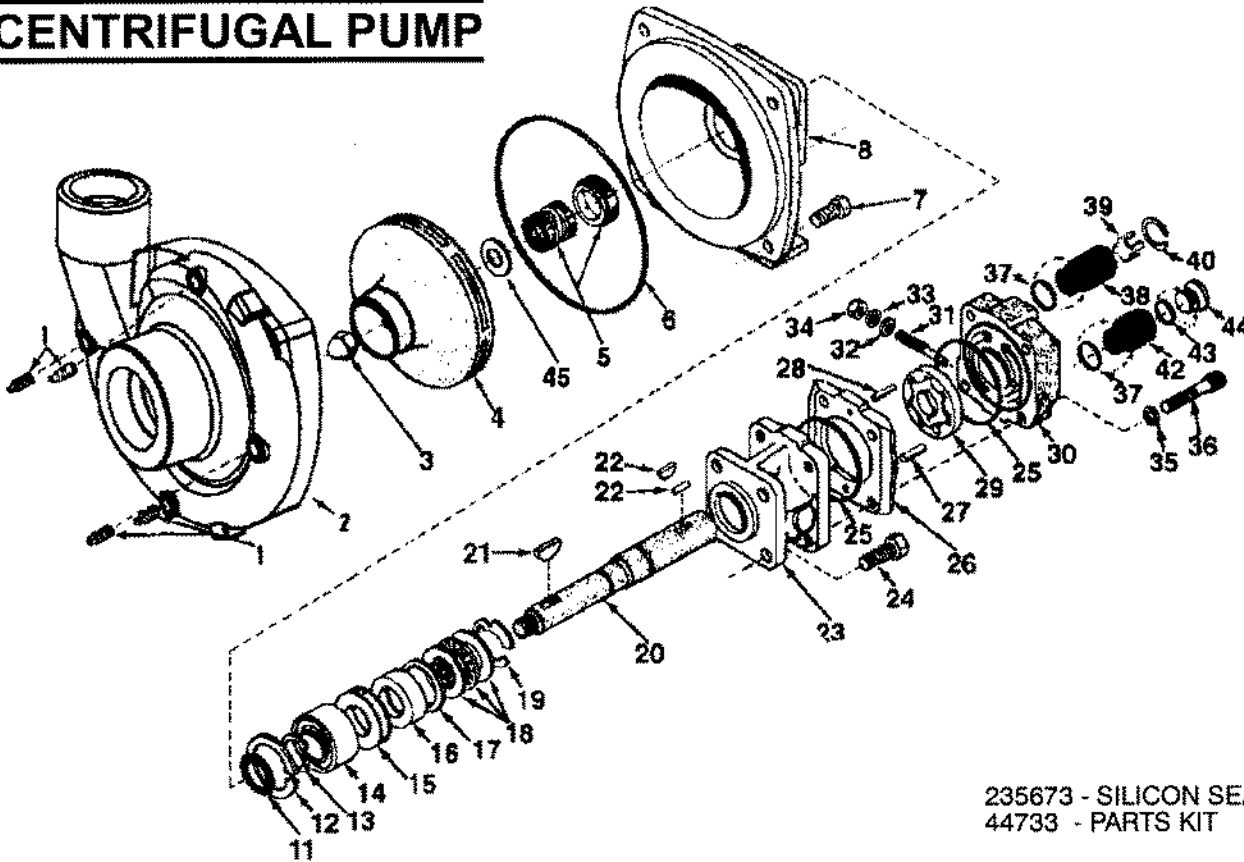
ITEM	PART NO	DESCRIPTION
1	234908	STAINLESS STEEL BOLT
2	234904	TOP CLAMP
3	234910	WET BOOM O-RING
4	234905	REPAIR KIT HYPRO TRIPLE
5	234909	STAINLESS STEEL NUT
6	234915	DIAPHRAM
7	234916	CHECK VALVE 8 PSI
8	234917	RETAINER NUT
9	234920	CLIP TURRET
10	234914	PORT NOZZLE
11	234920	CLIP TURRET
12	234911	O-RING TURRET
13	234918	TURRET CAP
14	234919	TURRET TRIPPLE
15	234912	O-RING TURRET CAP
16	234907	PIVOT PIN

HYPRO SINGLE NOZZLE



ITEM	PART NO	DESCRIPTION
1	234904	TOP CLAMP
2	234921	STAINLESS STEEL SCREW
3	234917	RETAINER NUT
4	234916	CHECK VALVE 8 PSI
5	234915	DIAPHRAME
6	234906	REPAIR KIT, HYPRO SINGLE NOZZEL
7	234907	PIVOT PIN
8	234910	WET BOOM O-RING

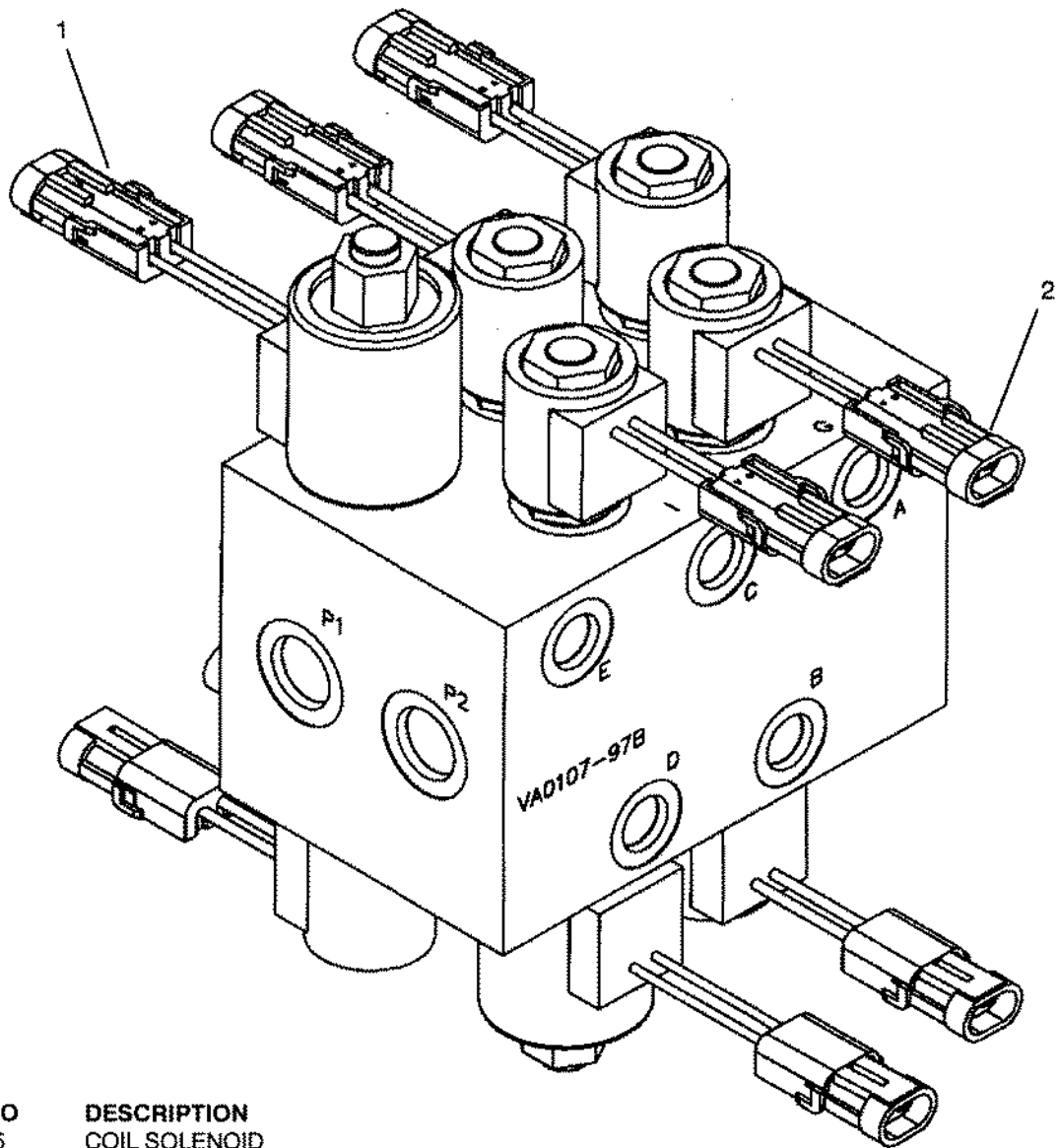
CENTRIFUGAL PUMP



235673 - SILICON SEAL KIT
44733 - PARTS KIT

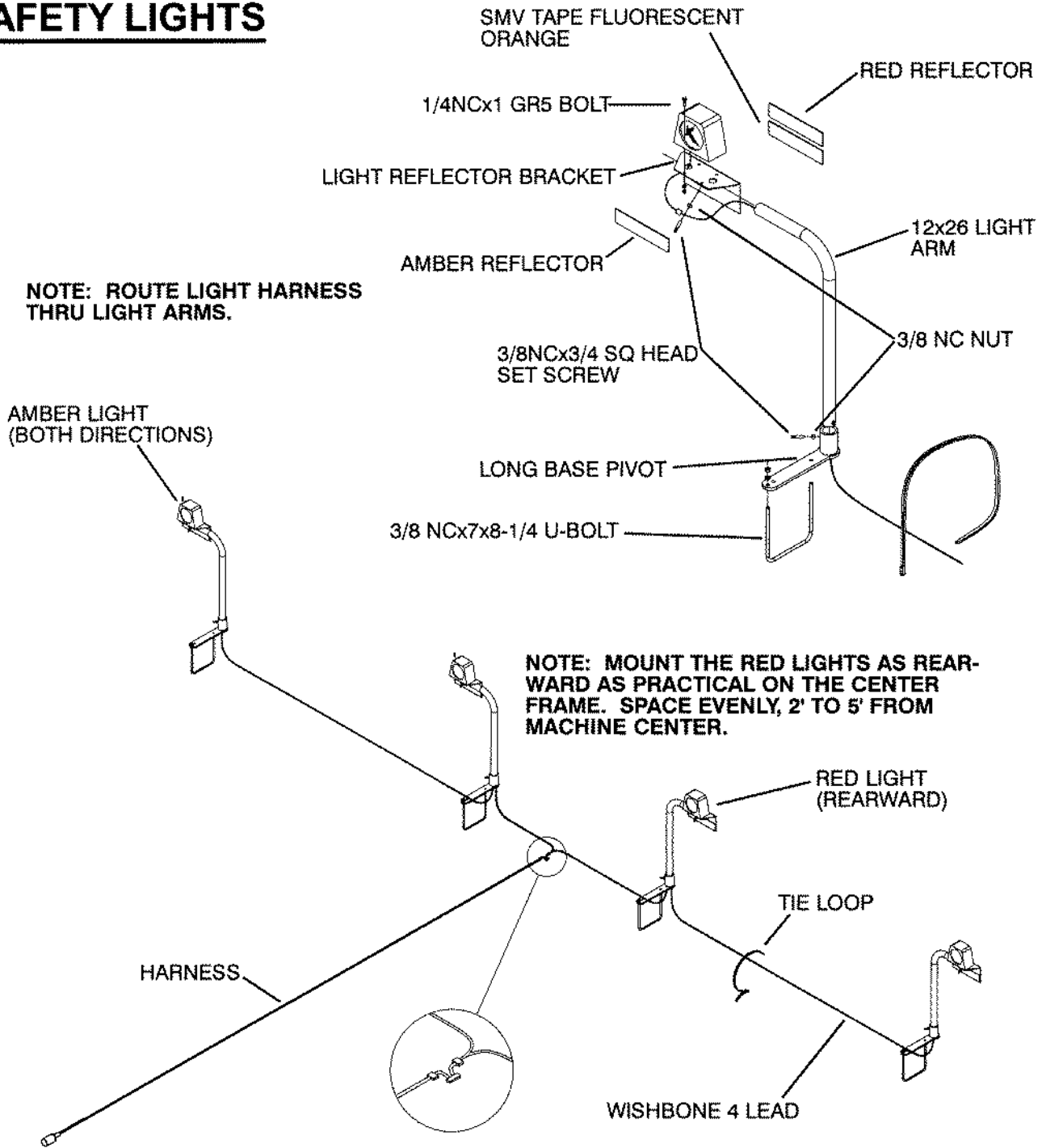
ITEM	PART NO	DESCRIPTION	ITEM	PART NO	DESCRIPTION
1	2406-0007	DRAIN/VENT PLUG	29	3900-0022	GEROTOR (HM1C MODELS)
2	0151-9200C	PUMP CASING (VOLUTE) (INCLUDES STAINLESS WEAR RING)		3900-0024	GEROTOR (HM3C MODELS)
3	2253-0002	IMPELLER NUT		3900-0048	GEROTOR (HM5C MODELS)
4	0401-9200P	IMPELLER	30	0251-2500C	MOTOR END PLATE (INCLUDES MAIN BEARING)
5	2120-0009	MECHANICAL SEAL (VITON)	31	3220-0029	BYPASS ADJUSTING SCREW
6	1720-0083	O-RING	32	1700-0047	GASKET
7	2210-0020	HEX HEAD CAP SCREW	33	2270-0027	WASHER
8	0750-9300C	MOUNTING FLANGE	34	2250-0038	LOCK NUT
11	1410-0056	SLINGER RING	35	2270-0039	WASHER
12	1820-0013	RETAING RING	36	2220-0044	CAP SCREW (HM3C MODELS)
13	1810-0014	SNAP RING		2220-0021	CAP SCREW (HM1C MODELS)
14	2000-0010	BALL BEARING		2220-0032	CAP SCREW (HM5C MODELS)
15	1410-0073	SPACER	37	1720-0108	O-RING
16	2104-0005	SHAFT SEAL	38	3320-0016	TANK PORT ADAPTER
17	1410-0074	SEAL SPACER	39	3260-0039	POPJET
18	2029-0014	THRUST BEARING ASSEMBLY	40	1820-0023	RETAINING RING
19	1810-0026	SNAP RING	42	3360-0021	PRESSURE PORT ADAPTER
20	0510-2500	SHAFT (HM3C MODEL) 7-1/2" LONG	45	1700-0100	RUBBER GASKET
	0511-2501	SHAFT (HM1C & HM5C MODELS) 7" LONG	46	2270-0071	WASHER (NOT SHOWN)
21	1610-0012	WOODRUFF KEY			
22	1610-0030	WOODRUFF KEY (HM3C MODELS)			
	1610-0031	ROLL PIN (HM1C & HM5C MODELS)			
23	0151-2500C	MOTOR BODY (INCLUDES MAIN BEARING)			
24	2210-0005	HEX HEAD CAP SCREW			
25	1720-0110	O-RING			
26	0700-2500C	GEROTOR HOUSING (HM1C MODEL) 1/2" WIDE			
	0702-2500C	GEROTER HOUSING (HM3C MODEL) 1" WIDE			
	0704-2500C	GEROTER HOUSING (HM5C MODEL) 5/8" WIDE			
27	1600-0052	DOWEL PIN (HM3C MODELS)			
	1600-0044	DOWEL PIN (HM1C & HM5C MODELS)			
28	1600-0068	DOWEL PIN (HM3C MODELS)			
	1600-0037	DOWEL PIN (HM1C & HM5C MODELS)			

VALVE BANK HYRAULIC SOLENOID



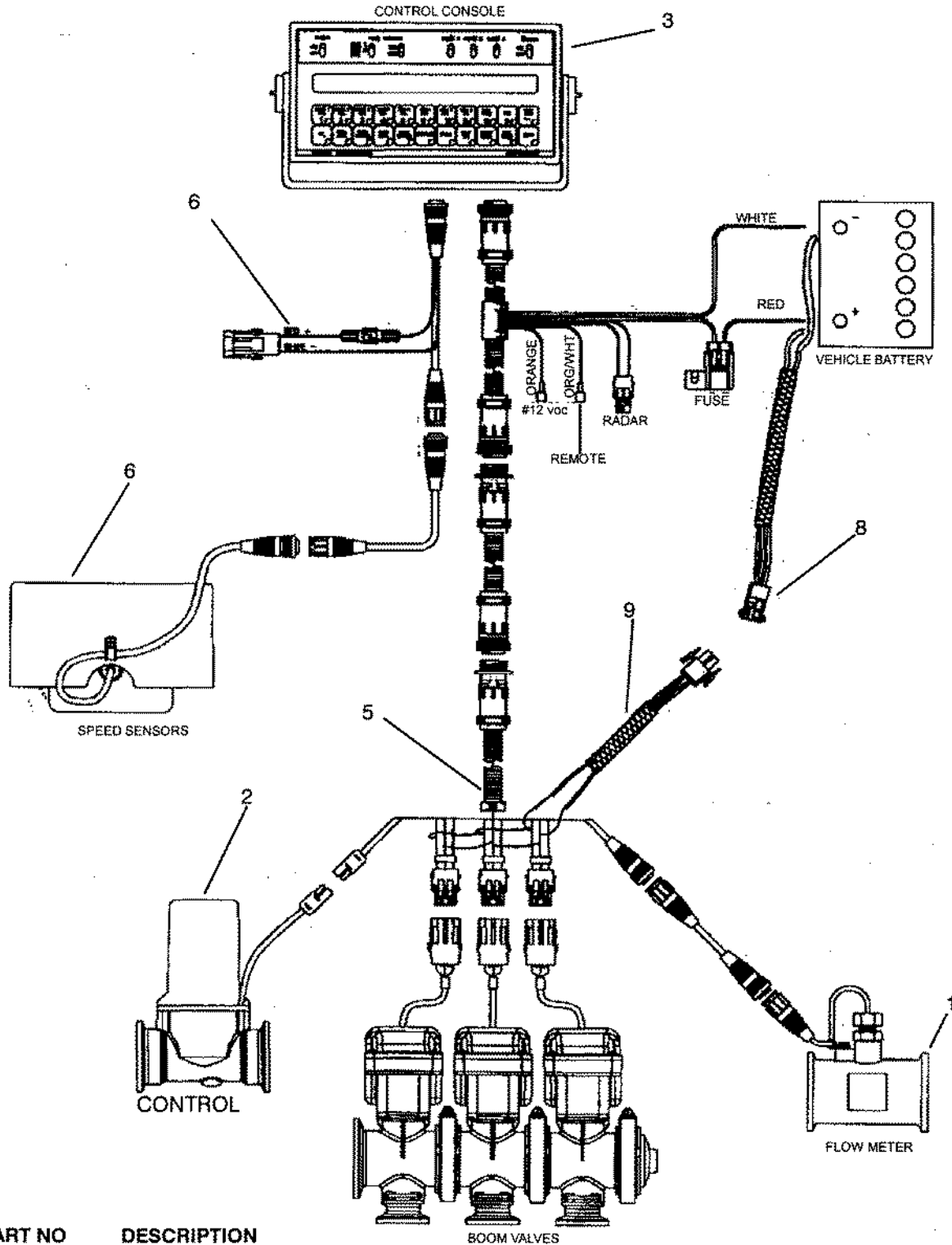
ITEM	PART NO	DESCRIPTION
1	221975	COIL SOLENOID
2	221976	COIL SOLENOID

SAFETY LIGHTS



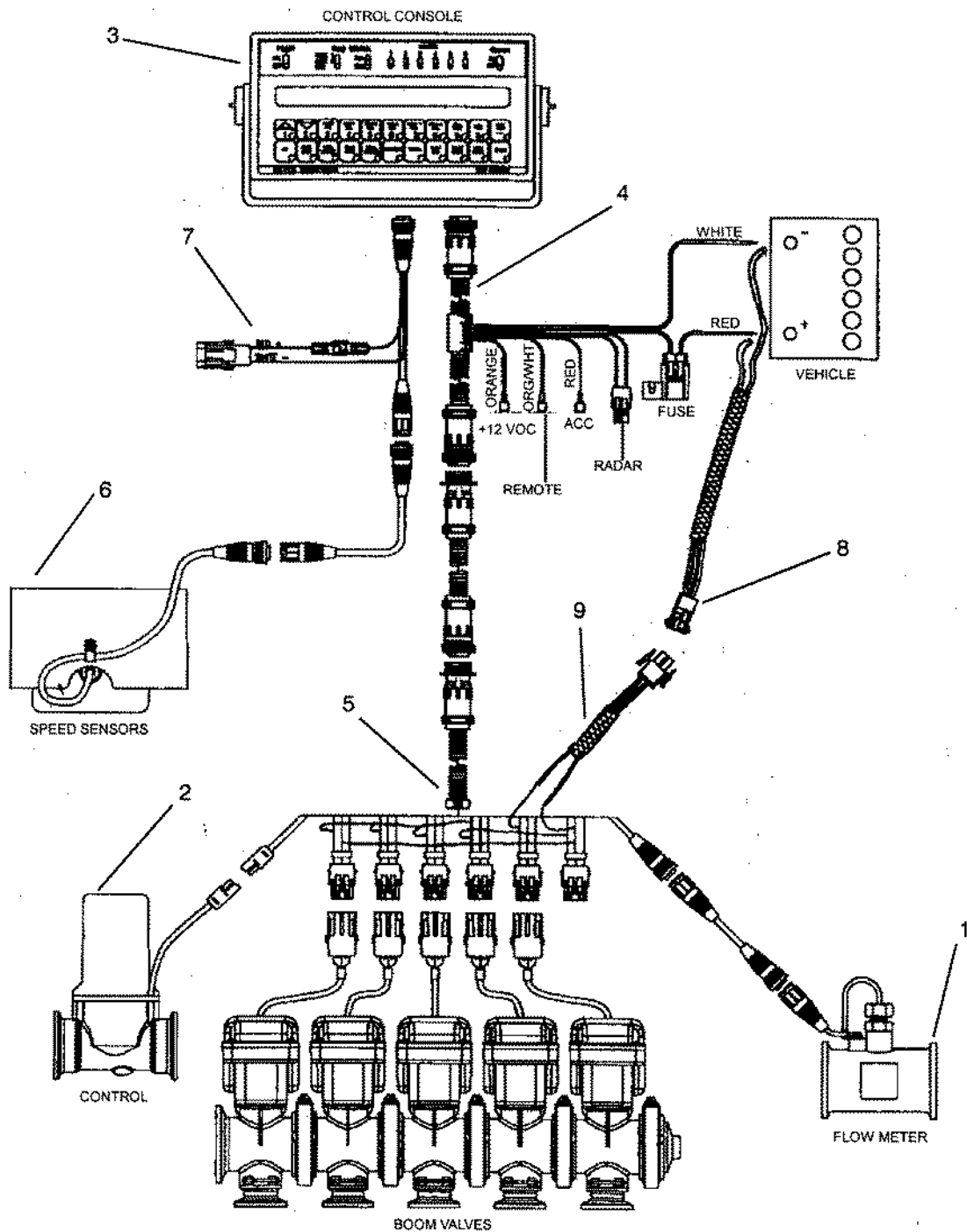
NOTE: MOUNT AMBER LIGHTS AS WIDE AS POSSIBLE. THE AMBER LIGHTS MUST BE MOUNTED NO MORE THAN 16" FROM IMPLEMENT EXTREMITIES.

SCS 440 LIQUID CONTROL SYSTEM



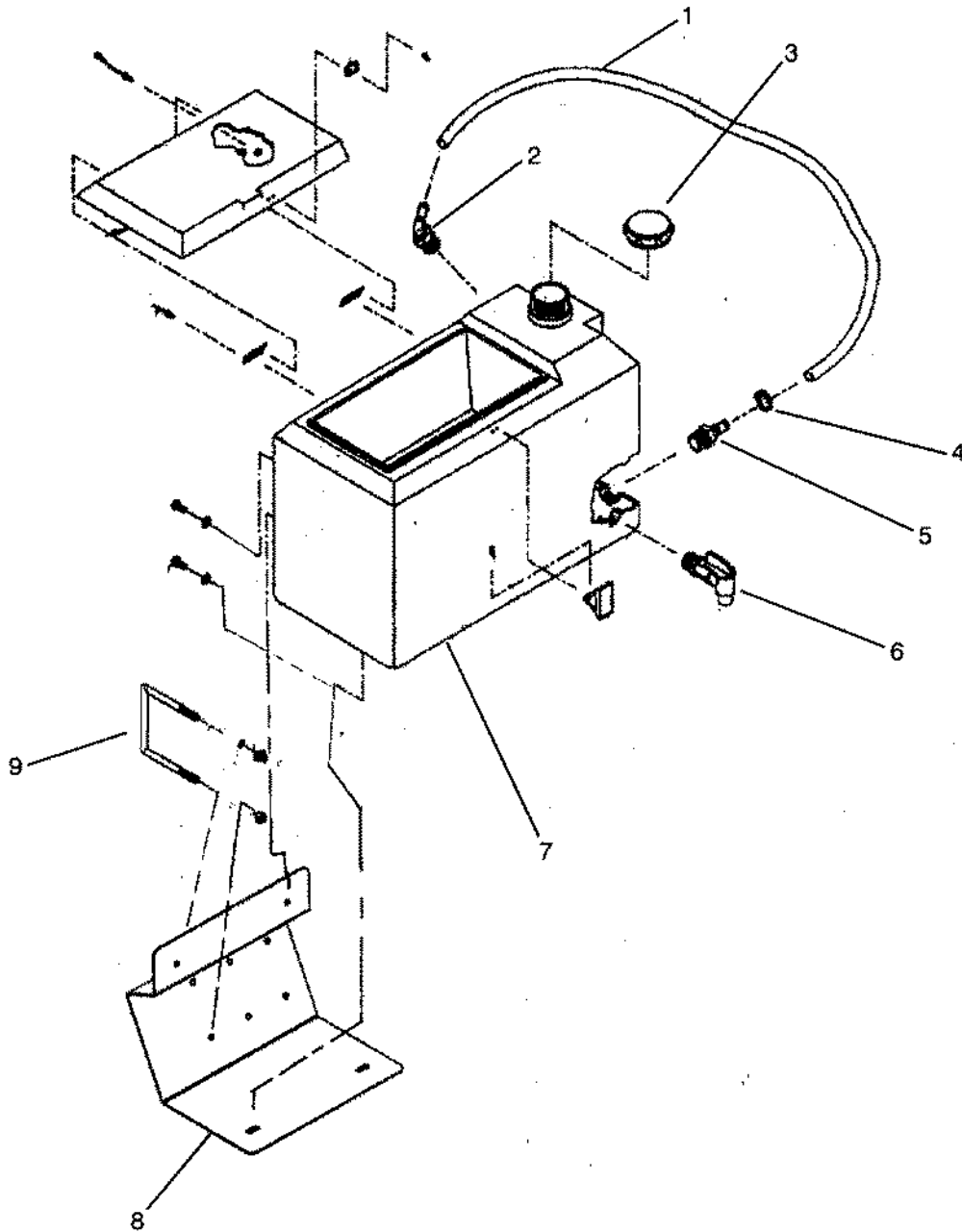
ITEM	PART NO	DESCRIPTION
1	60161	RAVEN RFM 55 FLOWMETER
	235670	RAVEN RFM 60P FLOWMETER (SHOWN)
2	60164	RAVEN 1" POLY CONTROL VALVE
3	60165	RAVEN SCS440 CONSOLE
4	60168	RAVEN 10' CONSOLE CABLE
5	60169	RAVEN 12' FLOW CABLE
6	61207	RAVEN RADER GUN W/O CABLE
7	67758	RAVEN RADAR CABLE
8	220527	BATTERY CABLE
9	220528	VALVE END CABLE

SCS 450 LIQUID CONTROL SYSTEM



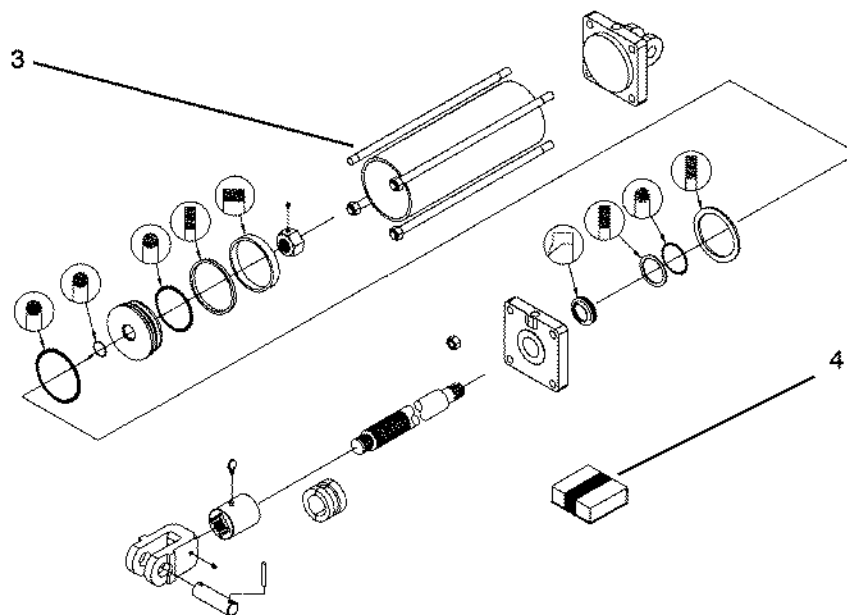
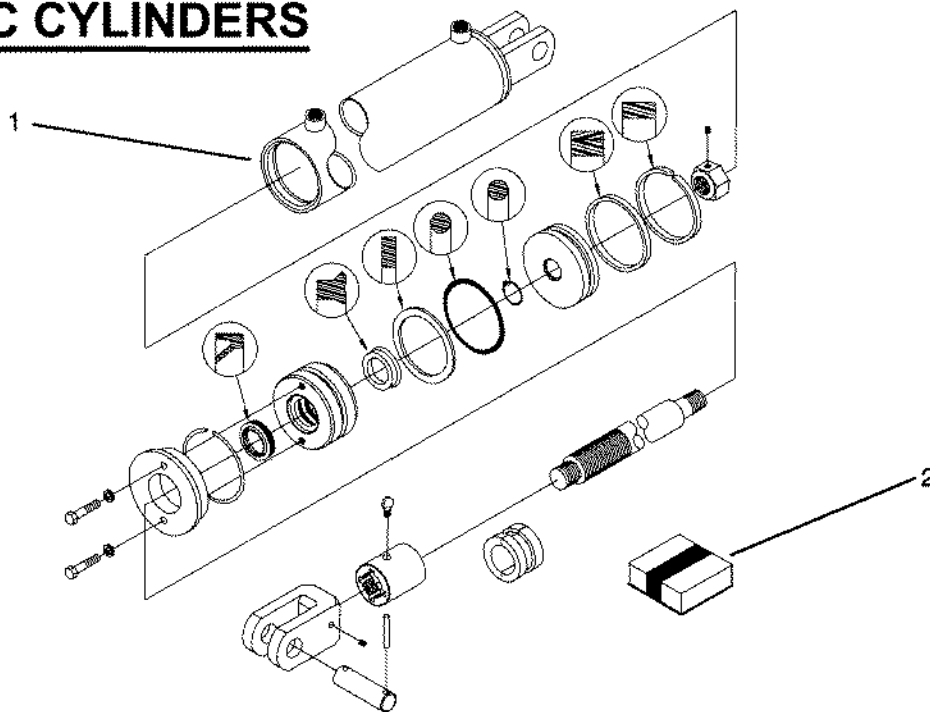
ITEM	PART NO	DESCRIPTION
1	60161	RAVEN RFM 55 FLOWMETER
	235670	RAVEN RFM 60P FLOWMETER (SHOWN)
2	60164	RAVEN 1" POLY CONTROL VALVE
3	235020	RAVEN SCS450 CONSOLE
4	235018	RAVEN 10' CONSOLE CABLE
5	235019	RAVEN 12' FLOW CABLE
6	61207	RAVEN RADER GUN W/O CABLE
7	67758	RAVEN RADAR CABLE
8	220527	BATTERY CABLE
9	220528	VALVE END CABLE

RINSE TANK



ITEM	PART NO	DESCRIPTION
1	220530	1/2" TUBE
2	236296	3/4MPTx1/2HB ELBOW
3	67890	2-1/2" CAP
4	236295	HOSE CLAMP
5	46181	3/4MPTx1/25HB ADAPTER
6	236293	3/4 MPT FAUCET
7	58481	CLEAN WATER TANK WITH TOOL BOX
8	223404	TANK BRACKET - GREEN
	223403	TANK BRACKET - RED
9	89352	3/8NCx3x2-1/2 U-BOLT

HYDRAULIC CYLINDERS



ITEM	PART NO	DESCRIPTION
1	B113145	3x14 WELDED CYLINDER
2	235001	3" SEAL KIT
3	B113102	2-1/2"x10 TIE ROD CYLINDER
	B113137	3x4 TIE ROD CYLINDER
4	221746	2-1/2" CYLINDER REPAIR KIT

