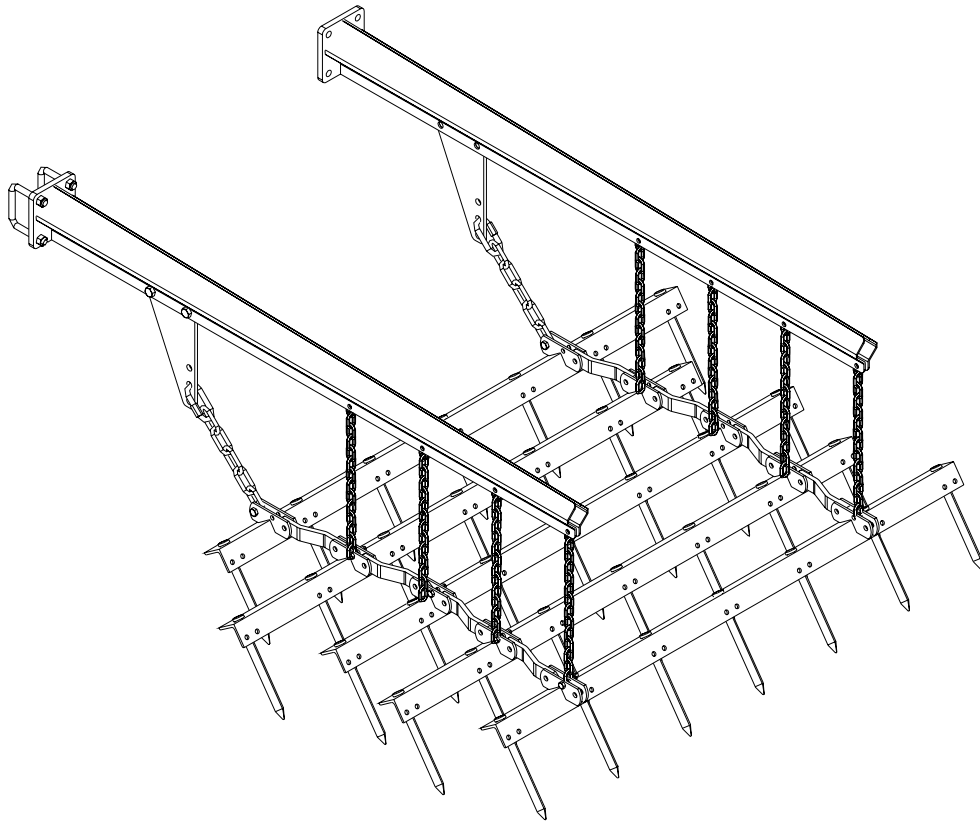




ASSEMBLY MANUAL



5BAR SPIKE TOOTH HARROW

 **WIL-RICH**

PO Box 1030

Wahpeton, ND 58074

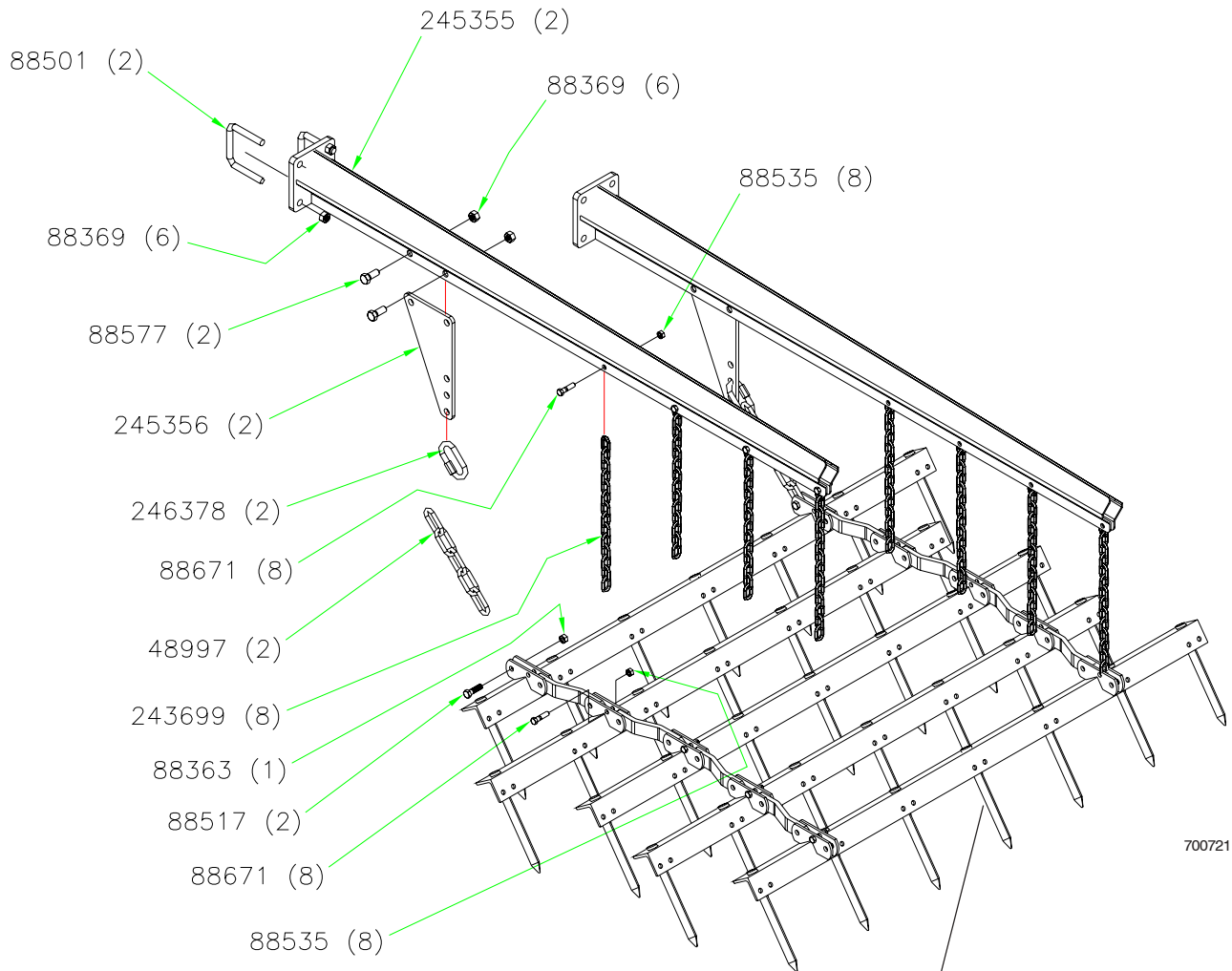
PH (701) 642-2621

Fax (701) 642-3372

WWW.WIL-RICH.COM

5BAR SPIKE TOOTH HARROW ASSEMBLY MANUAL (74320) 11/10

SPIKE TOOTH HARROW SECTION ASSEMBLY

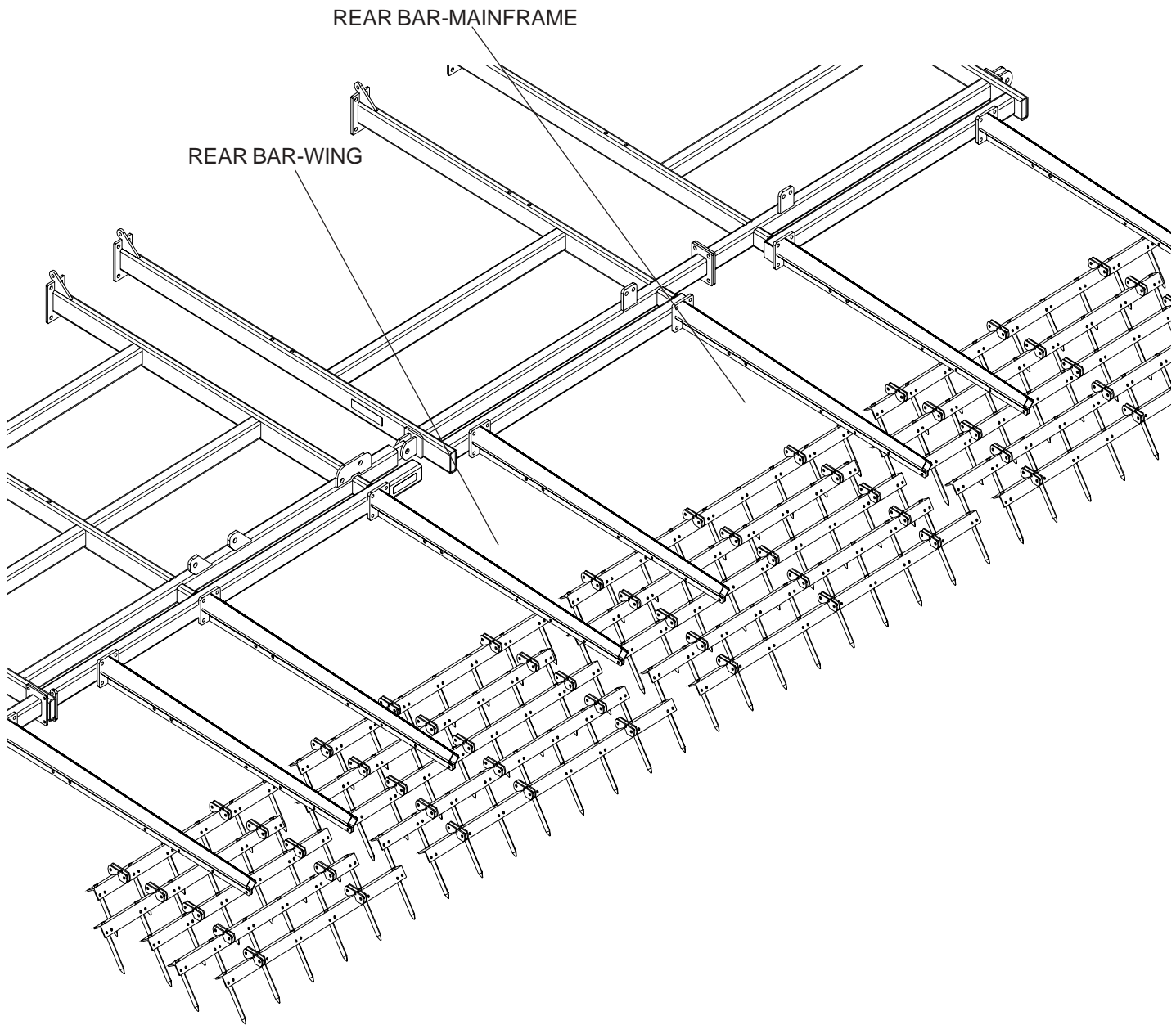


700721

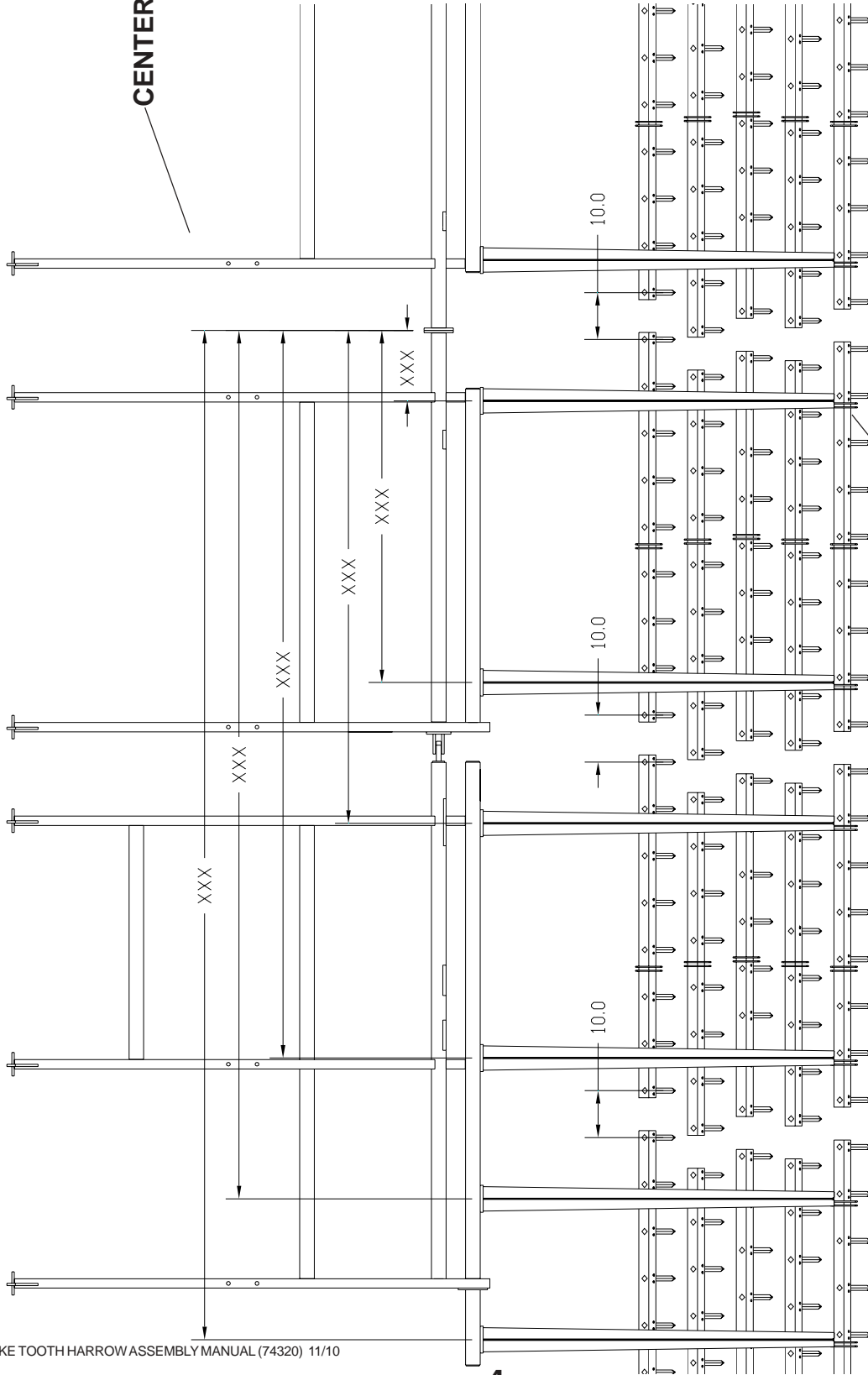
ITEMS	DESCRIPTIONS	55208	4'-2"	5 TEETH/RANK
243699	14 LINK CHAIN	55209	5'-0"	6 TEETH/RANK
245355	HARROW MOUNT	55210	5'-10"	7 TEETH/RANK(SHOWN)
245356	PLATE (PAINTED)	55211	6'-8"	8 TEETH/RANK
246378	QUICK LINK - 1/2 INCH	55212	7'-6"	9 TEETH/RANK
48997	5 LINK CHAIN			
88363	NUT 2POSLK 1/2-13NC 5Z			
88369	NUT 2POSLK 5/8-11NC 5Z			
88501	BLT-U 5/8-11NCX4X4-1/4 Z			
88517	BLT HEX 1/2-13NCX1-3/4 5Z			
88535	NUT 2POSLK 7/16-14NC 5P			
88577	BLT HEX 5/8-11NCX1-1/2 5Z			
88671	BLT HEX 7/16-14NCX1-3/4 5Z			

STEP ONE-MOUNT HARROW ARMS(245355) TO THE REAR TUBES ON MAINFRAME AND WINGS USING THE APPROPRIATE CHART FOR HARROW ARM LOCATIONS.

STEP TWO-MOUNT SPIKE TOOTH SECTIONS TO THE HARROW ARMS USING CHAINS AS SHOWN ABOVE.



CENTER LINE



SEE PAGE 2 FOR
SECTION SIZES AND
DESCRIPTIONS

DCIII DISC CULTIVATOR SPIKE TOOTH HARROW ARM MOUNTING LOCATIONS

42	22 27	60	
4'-2"	7'-6"		

- ARM LOCATION (INCH FROM CENTER LINE)
- SECTION SIZE

	OUTER WING	LEFT WING	MAIN FRAME			RIGHT WING	OUTER WING
14 DC III 34		195 165 135 105 5' 5'	75 15 15 15 75 7'-6" 7'-6"		105 135 165 195 5' 5'		
14 DC III 34-37		215 185 155 105 5' 6'-8"	75 15 15 15 75 7'-6" 7'-6"		105 155 185 215 6'-8" 5'		
14 DC III 42	245 225 4'-2"	195 165 135 105 5' 5'	75 15 15 15 75 7'-6" 7'-6"		105 135 165 195 5' 5'		225 245 4'-2"
14 DC III 42-45	260 225 5'-10"	195 165 135 105 5' 5'	75 15 15 15 75 7'-6" 7'-6"		105 135 165 195 5' 5'		225 260 5'-10"

XL²/QX² CULTIVATOR SPIKE TOOTH HARROW ARM MOUNTING LOCATIONS

		42	22	27	60				
		4'-2"				7'-6"			
13 XL ² /QX ² 32		74	16	16	74	104	134	164	184
			7'-6"		7'-6"	5'-0"	4'-2"		
13 XL ² /QX ² 32-34		67	20	16	67	99	139	169	299
			6'-8"		7'-6"	5'-10"	5'-0"		
13 XL ² /QX ² 32-37		74	16	16	74	104	154	187	211
			7'-6"		7'-6"	5'-0"	6'-8"		5'-0"
13 XL ² /QX ² 32-42		67	20	16	67	188	170	170	188
			6'-8"		7'-6"	4'-2"	5'-10"		4'-2"
13 XL ² /QX ² 32-45		67	20	16	67	188	170	170	188
			6'-8"		7'-6"	4'-2"	5'-10"		4'-2"
13 XL ² /QX ² 37		74	16	16	74	215	175	175	215
			7'-6"		7'-6"	5'-10"	5'-10"		5'-10"
13 XL ² /QX ² 37-39		67	20	16	67	229	179	179	229
			6'-8"		7'-6"	6'-8"	6'-8"		6'-8"
13 XL ² /QX ² 37-42		67	20	16	67	202	142	172	202
			6'-8"		7'-6"	5'	6'-8"		5'
13 XL ² /QX ² 37-47		74	16	16	74	205	175	175	205
			7'-6"		7'-6"	5'	5'-10"		5'
13 XL ² /QX ² 37-50		74	16	16	74	215	175	175	215
			7'-6"		7'-6"	5'-10"	5'-10"		5'-10"
									225
									255
									5'-0"
									220
									267
									6'-8"
									230
									252
									4'-2"
									240
									269
									5'-10"
									246
									293
									6'-8"

XL² CULTIVATOR SPIKE TOOTH HARROW ARM MOUNTING LOCATIONS

		42	22	27	60				
		4'-2"				7'-6"			
11 XL ² 19-22	125	65	18	18	65	95	95	125	
	5'	6'-8"				6'-8"			
	141	54	17	18	60	91	91	141	
	6'-8"	6'-8"				5'-10"			
11 XL ² 25-27	145	62	18	18	62	105	105	145	
	7'-6"	6'-8"				6'-8"			
	268	60	18	17	55	104	104	109	
	138	5'-0"	5'-10"				6'-8"	4'-2"	5'-0"
11 XL ² 30	268	60	18	17	55	104	104	109	
	138	5'-0"	5'-10"				6'-8"	4'-2"	5'-0"
	173	53	18	18	53	86	86	116	
	150	5'-10"	5'-10"				5'-10"	5'-0"	5'-10"
11 XL ² 30-36	154	65	18	18	65	94	94	154	
	7'-6"	6'-8"				6'-8"			
	202	202	186				186	202	
	4'-2"	4'-2"				7'-6"			
11 XL ² 30-39	154	65	18	18	65	94	94	154	
	7'-6"	6'-8"				6'-8"			
	222	222	187				187	222	
	5'-10"	5'-10"				7'-6"			

XL²/QX² CULTIVATOR SPIKE TOOTH HARROW ARM MOUNTING LOCATIONS

		42	22	27	60		
		4'-2"			7'-6"		
13 XL ² /QX ² 46	274 214	74	16	16	74	104 134 164 184	214 274
	7'-6"	7'-6"			7'-6"	5'-0" 4'-2"	7'-6"
13 XL ² /QX ² 46-48	284 264 234 214	74	16	16	74	104 134 164 184	214 234 264 284
	4'-2" 4'-2"	7'-6"			7'-6"	5'-0" 4'-2"	4'-2" 4'-2"
13 XL ² /QX ² 46-50	298 274 244 224	74	16	16	74	104 134 167 188	224 244 274 298
	5'-0" 4'-2"	7'-6"			7'-6"	5'-0" 5'-0"	4'-2" 5'-0"
13 XL ² /QX ² 50	303 245	74	16	16	74	104 144 174 214	245 303
	7'-6"	7'-6"			7'-6"	5'-10" 5'-10"	7'-6"
13 XL ² /QX ² 50-53	314 294 264 244	74	16	16	74	104 144 174 214	244 264 294 314
	4'-2" 4'-2"	7'-6"			7'-6"	5'-10" 5'-10"	4'-2" 4'-2"
13 XL ² /QX ² 55	330 308 274 244	74	16	16	74	104 144 174 214	244 274 308 330
	5'-0" 5'-0"	7'-6"			7'-6"	5'-10" 5'-10"	5'-0" 5'-0"
13 XL ² /QX ² 55-58	344 314 284 244	74	16	16	74	104 144 174 214	244 284 314 344
	5'-0" 5'-10"	7'-6"			7'-6"	5'-10" 5'-10" 5'-10"	5'-10" 5'-0"
13 XL ² /QX ² 55-60	354 314 284 244	74	16	16	74	104 145 175 215	244 284 314 354
	5'-10" 5'-10"	7'-6"			7'-6"	5'-10" 5'-10"	5'-10" 5'-10"