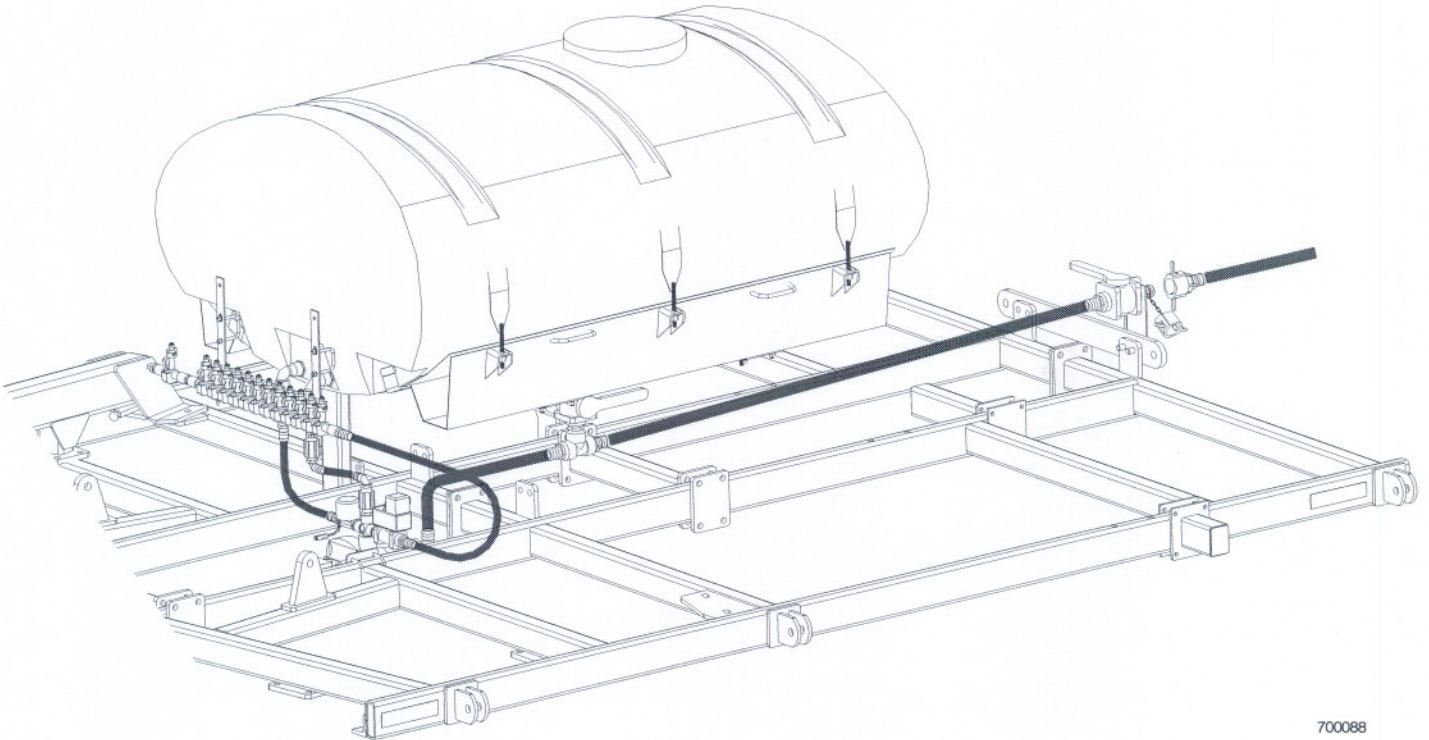




# ASSEMBLY/OPERATORS MANUAL



70088

## DCIII 500 GALLON TANK ASSEMBLY

 **WIL-RICH**

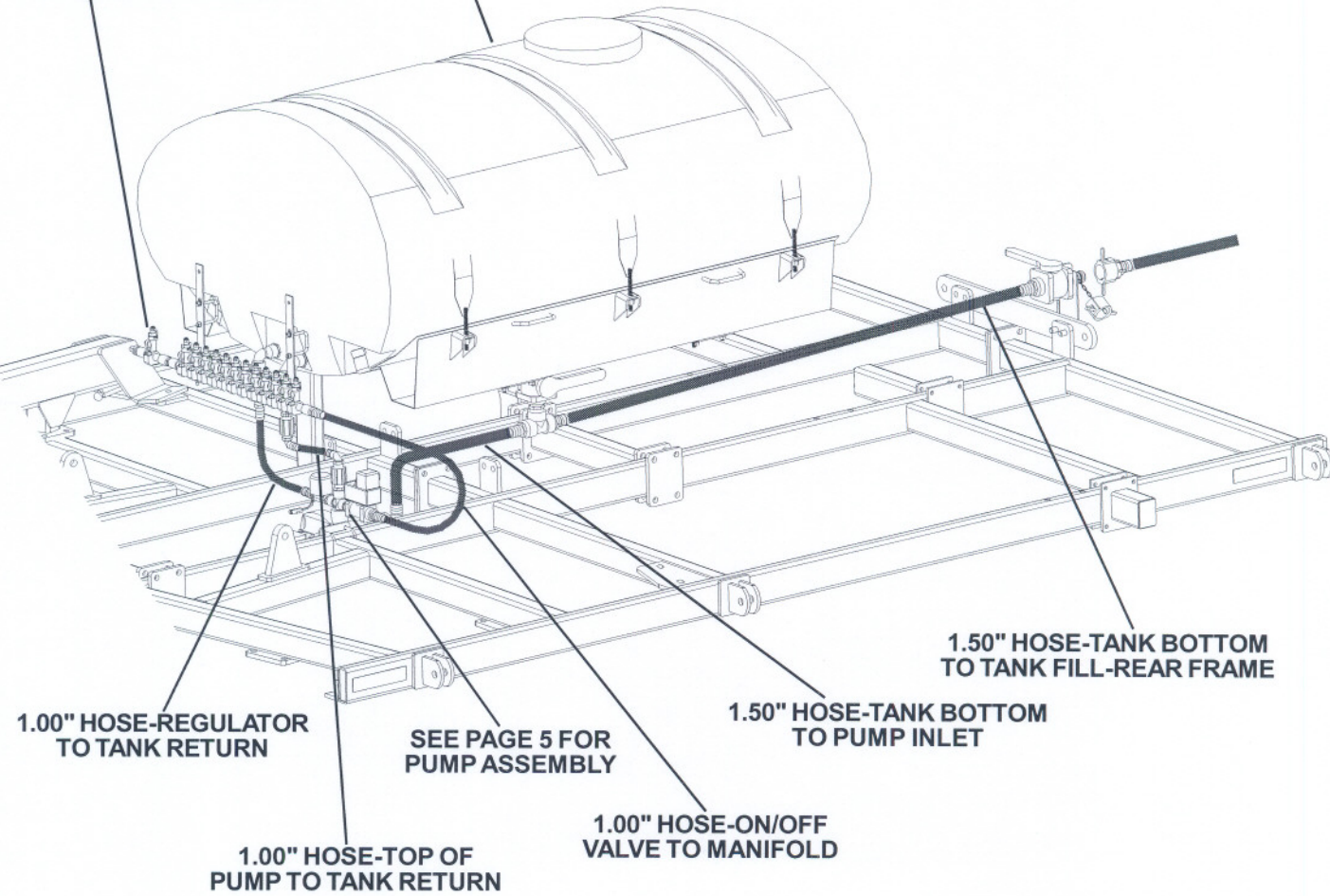
PO Box 1030  
Wahpeton, ND 58074  
PH (701) 642-2621  
Fax (701) 642-3372  
[WWW.WIL-RICH.COM](http://WWW.WIL-RICH.COM)

# HOSE PLUMBING

SEE PAGE 6 FOR TANK  
PLUMBING ASSEMBLY

FRAME MEMBERS  
REMOVED FOR CLARITY

SEE PAGE 4 FOR  
MANIFOLD ASSEMBLY



1.50" HOSE-TANK BOTTOM  
TO TANK FILL-REAR FRAME

1.50" HOSE-TANK BOTTOM  
TO PUMP INLET

1.00" HOSE-REGULATOR  
TO TANK RETURN

SEE PAGE 5 FOR  
PUMP ASSEMBLY

1.00" HOSE-ON/OFF  
VALVE TO MANIFOLD

1.00" HOSE-TOP OF  
PUMP TO TANK RETURN

PAGE 3 TANK MOUNT

PAGE 7 HYDRAULIC HOSE PLACEMENT

PAGE 8 GAUGE ISOLATER

PAGE 9 NOZZLE PLACEMENT

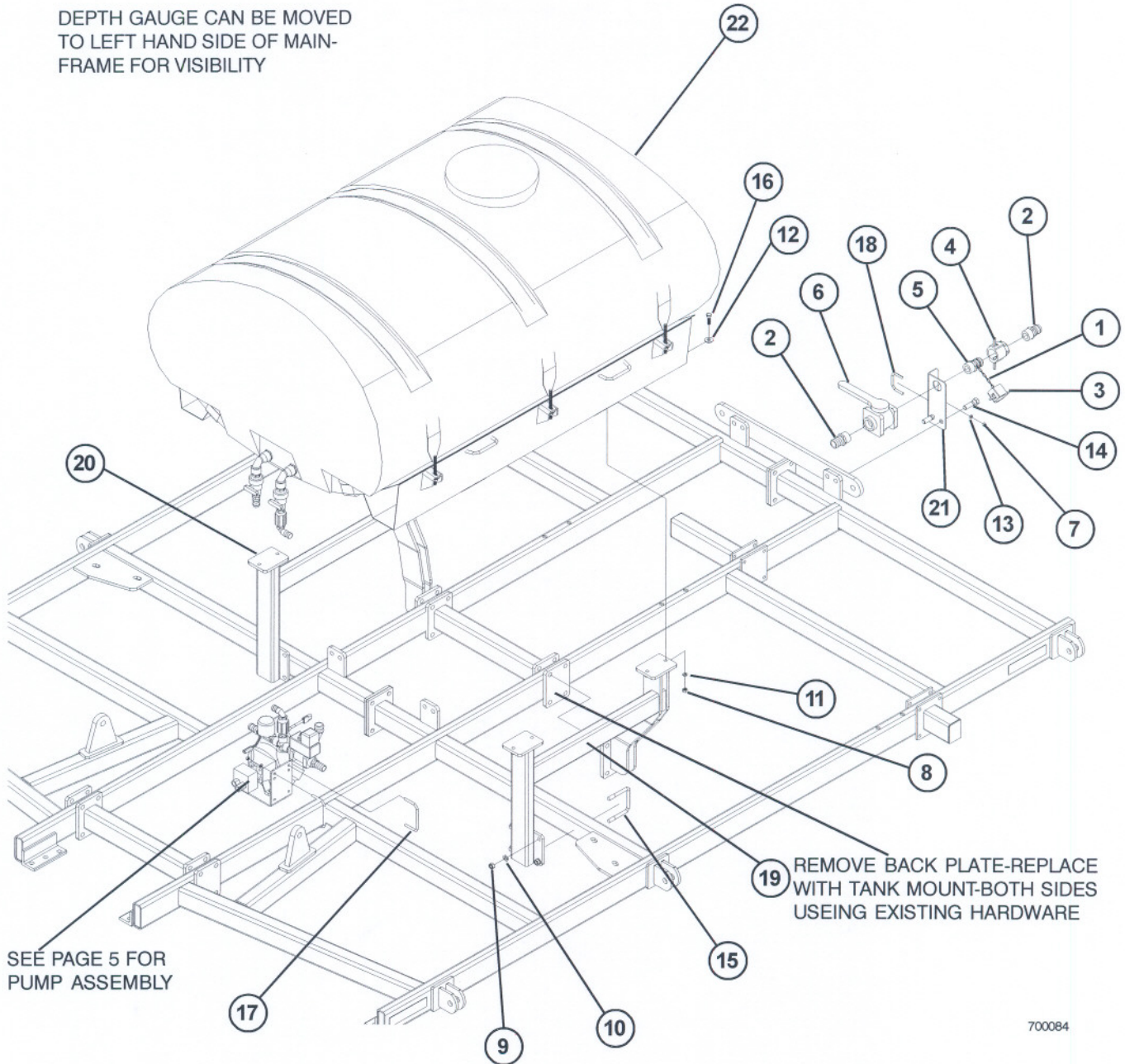
PAGE 10 TUBE HOLDER ILLUSTRATION

PAGE 11 APPLICATION RATE CHART



# TANK MOUNTING

DEPTH GAUGE CAN BE MOVED TO LEFT HAND SIDE OF MAIN-FRAME FOR VISIBILITY



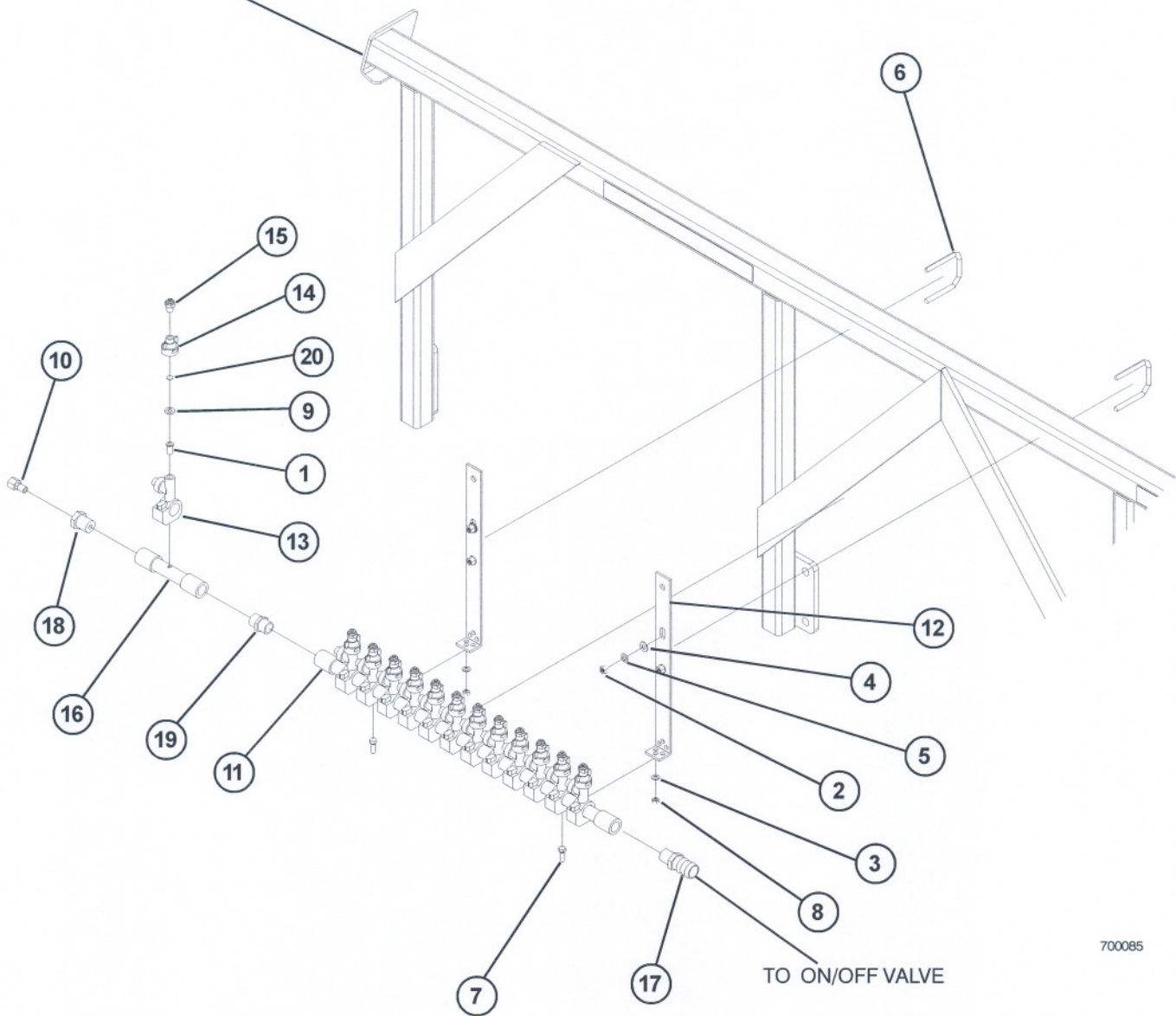
| ITEM | PART NO. | DESCRIPTION                  |
|------|----------|------------------------------|
| 1    | 44522    | #3 CHAIN ASSEMBLY W/S-HOOKS  |
| 2    | 46175    | 1-1/2"MPT x 1-1/2"HB ADAPTER |
| 3    | 46606    | CAM LOCK DUST CAP 1-1/2"     |
| 4    | 46607    | 1-1/2"F x 1-1/2"FPT COUPLER  |
| 5    | 46609    | 1-1/2"M x 1-1/2"MPT ADAPTER  |
| 6    | 46614    | 1-1/2" BALL VALVE            |
| 7    | 88103    | NUT HEX 3/8"NC               |
| 8    | 88104    | NUT HEX 1/2"NC               |
| 9    | 88126    | NUT HEX 5/8"NC               |
| 10   | 88129    | 5/8" LOCK WASHER             |
| 11   | 88303    | 1/2" LOCK WASHER             |

| ITEM | PART NO. | DESCRIPTION                      |
|------|----------|----------------------------------|
| 12   | 88347    | 1/2" FLAT WASHER                 |
| 13   | 88362    | 3/8" LOCK WASHER                 |
| 14   | 88404    | 3/4"NCx2-1/2" GR5 HEX BOLT       |
| 15   | 88453    | 5/8" x 4" x 4-1/2" U-BOLT        |
| 16   | 88517    | 1/2"NCx1-3/4" GR5 HEX BOLT       |
| 17   | 89280    | 3/8" x 5" x 3" U-BOLT            |
| 18   | 89352    | 3/8" x 3" x 2-1/2" U-BOLT        |
| 19   | 239820   | TANK MOUNT WELD-LH               |
| 20   | 239823   | TANK MOUNT WELD-RH               |
| 21   | 239831   | MOUNTING PLATE 1-1/2" BALL VALVE |
| 22   | 239850   | 500 GALLON TANK KIT              |

700084

# MANIFOLD MOUNT

FRONT WING REST

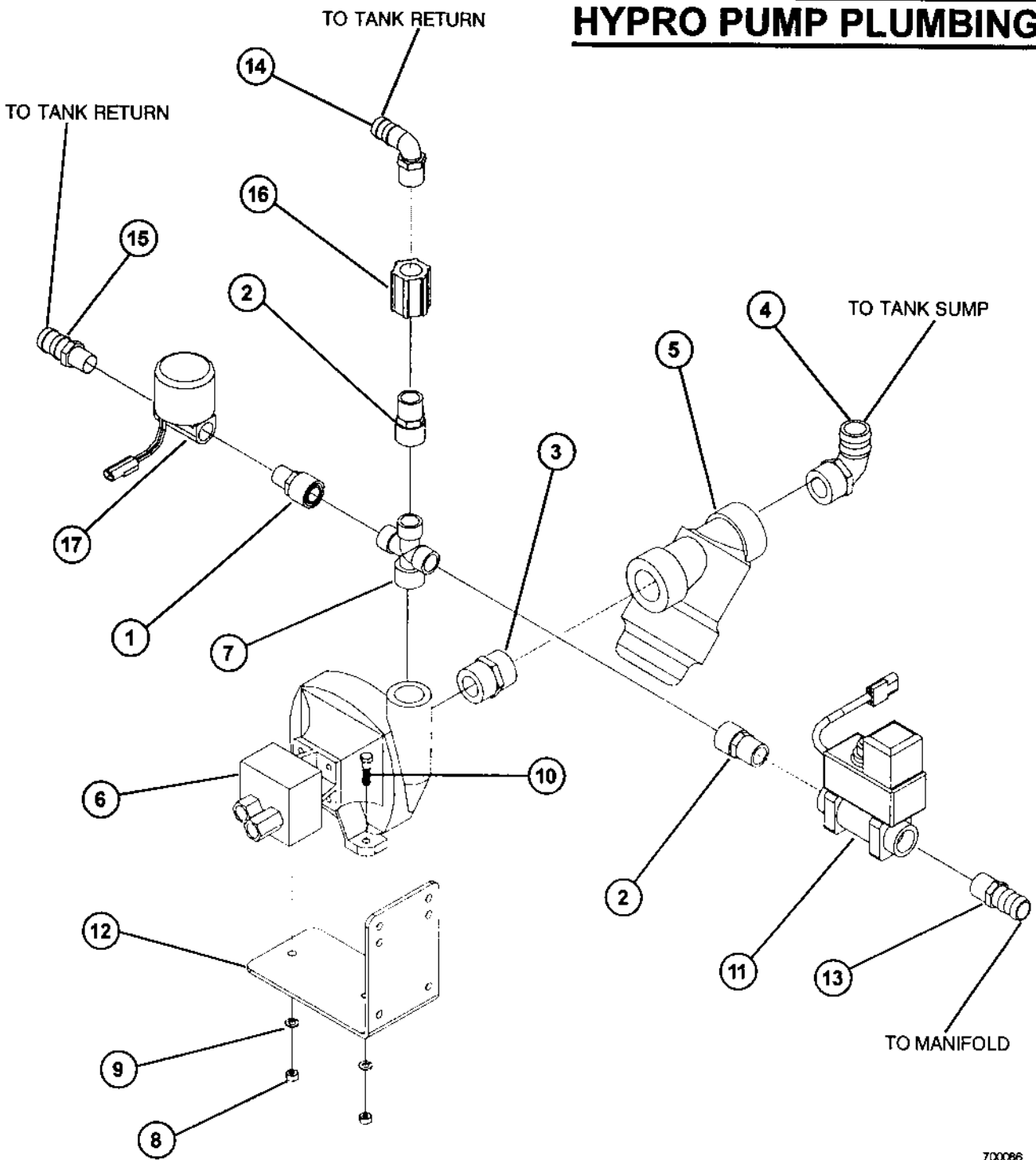


70085

| ITEM | PART NO. | DESCRIPTION                   |
|------|----------|-------------------------------|
| 1    | 61192    | TEE JET 50MESH POLY STRAINER  |
| 2    | 88103    | NUT HEX 3/8"NC                |
| 3    | 88278    | 5/16" FLAT WASHER             |
| 4    | 88282    | 3/8" FLAT WASHER              |
| 5    | 88362    | 3/8" LOCK WASHER              |
| 6    | 88386    | 3/8" x 2-1/2" x 3-1/2" U-BOLT |
| 7    | 88478    | 5/16"NCx1" GR5 HEX BOLT       |
| 8    | 88832    | 5/16" TOP LOCK NUT            |
| 9    | B112261  | RUBBER GASKET                 |
| 10   |          | 1/4" HOSE COUPLER             |

| ITEM | PART NO. | DESCRIPTION                        |
|------|----------|------------------------------------|
| 11   | 239825   | 12 HOLE MANIFOLD                   |
| 12   | 239826   | STRAP-MANIFOLD MOUNT               |
| 13   | 239827   | NOZZLE BODY-LIQUID FERT            |
| 14   | 239828   | NOZZLE BODY CAP                    |
| 15   | 239829   | NOZZLE HS CONN 1/4"MPTx1/4"OD TUBE |
| 16   | 239836   | MANIFOLD EXT 6"-ONE NOZZLE         |
| 17   | 239839   | 3/4" MPT x 1" HB                   |
| 18   | 239840   | 3/4"MPT x 1/4"FPT RDCR BSHNG       |
| 19   | 239842   | 3/4" SCH80 NIPPLE                  |
| 20   | 239844   | ORIFICE PLATE SS 4916-35           |
|      | 239845   | ORIFICE PLATE SS 4916-49           |
|      | 239846   | ORIFICE PLATE SS 4916-70           |
|      | 239847   | ORIFICE PLATE SS 4916-98           |
|      | 239848   | ORIFICE PLATE SS BLANK             |

# HYPRO PUMP PLUMBING



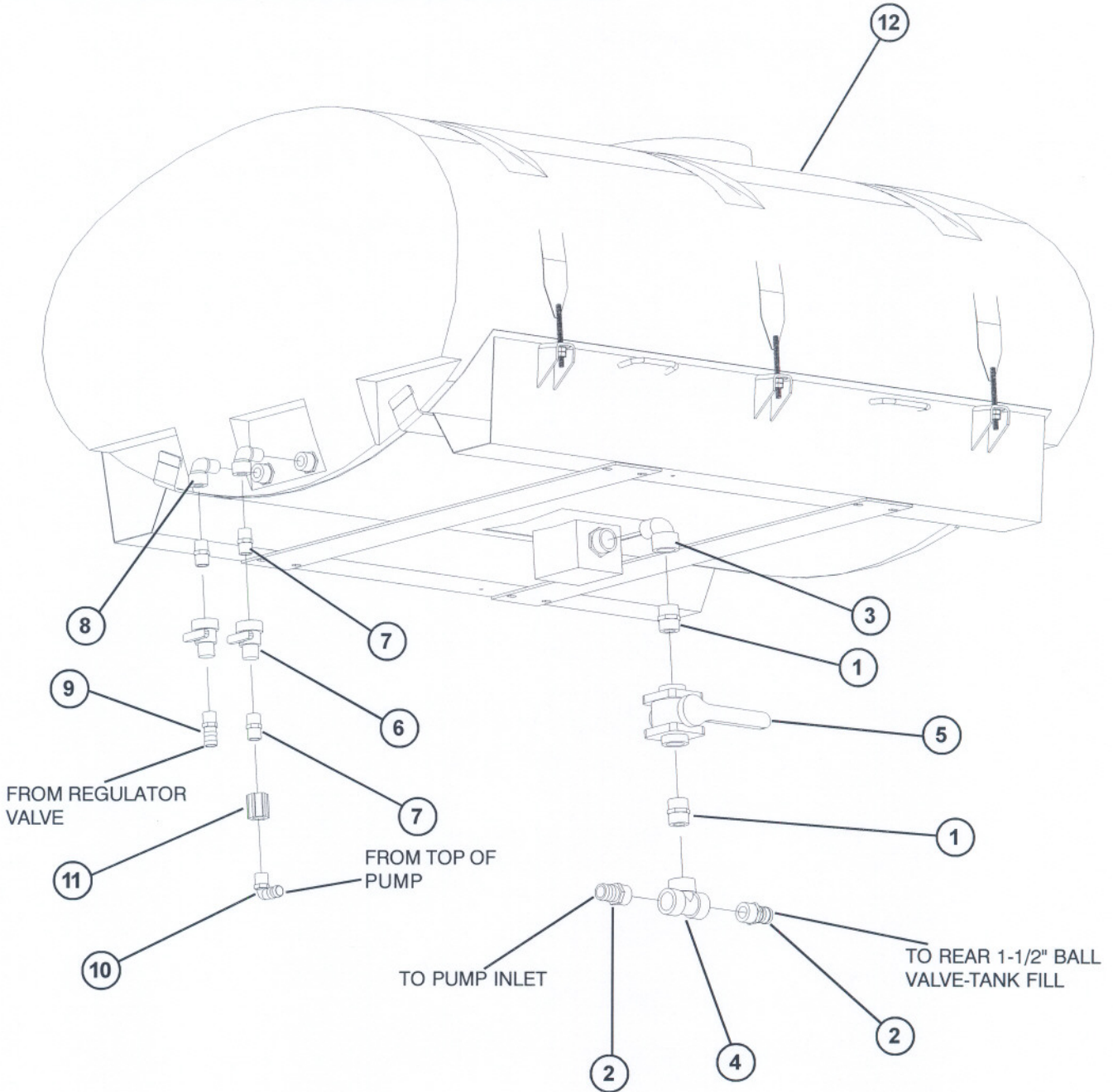
700086

| ITEM | PART NO. | DESCRIPTION                    |
|------|----------|--------------------------------|
| 1    | 44494    | 1" NUT x 3/4" MPT ADAPTER      |
| 2    | 44507    | 1" NUT x 1" MPT ADAPTER        |
| 3    | 45903    | 1-1/2" MPT NIPPLE              |
| 4    | 46243    | 1-1/2" MPT x 1-1/2" HB ELBOW   |
| 5    | 46358    | LINE STRAINER 1-1/2" 50 MESH   |
| 6    | 47636    | HYPRO PUMP #9303C-HM4          |
| 7    | 47872    | 4WAY CROSS 1-1/4"MPTx1"MSPT(3) |
| 8    | 88103    | NUT HEX 3/8"NC                 |

| ITEM | PART NO. | DESCRIPTION                 |
|------|----------|-----------------------------|
| 9    | 88362    | 3/8" LOCK WASHER            |
| 10   | 88553    | 3/8"NCx1-1/2" GR5 HEX BOLT  |
| 11   | B112992  | 1" BALL VALVE-SHUTOFF 12VDC |
| 12   | 239824   | PLATE-PUMP MOUNT            |
| 13   | 239837   | 1" MPT x 1" HB              |
| 14   | 239838   | 1" MPT x 1" HB ELBOW        |
| 15   | 239839   | 3/4" MPT x 1" HB            |
| 16   | 239841   | 1" CLOSED COUPLER           |
| 17   | 240726   | PRESSURE REGULATOR VALVE    |



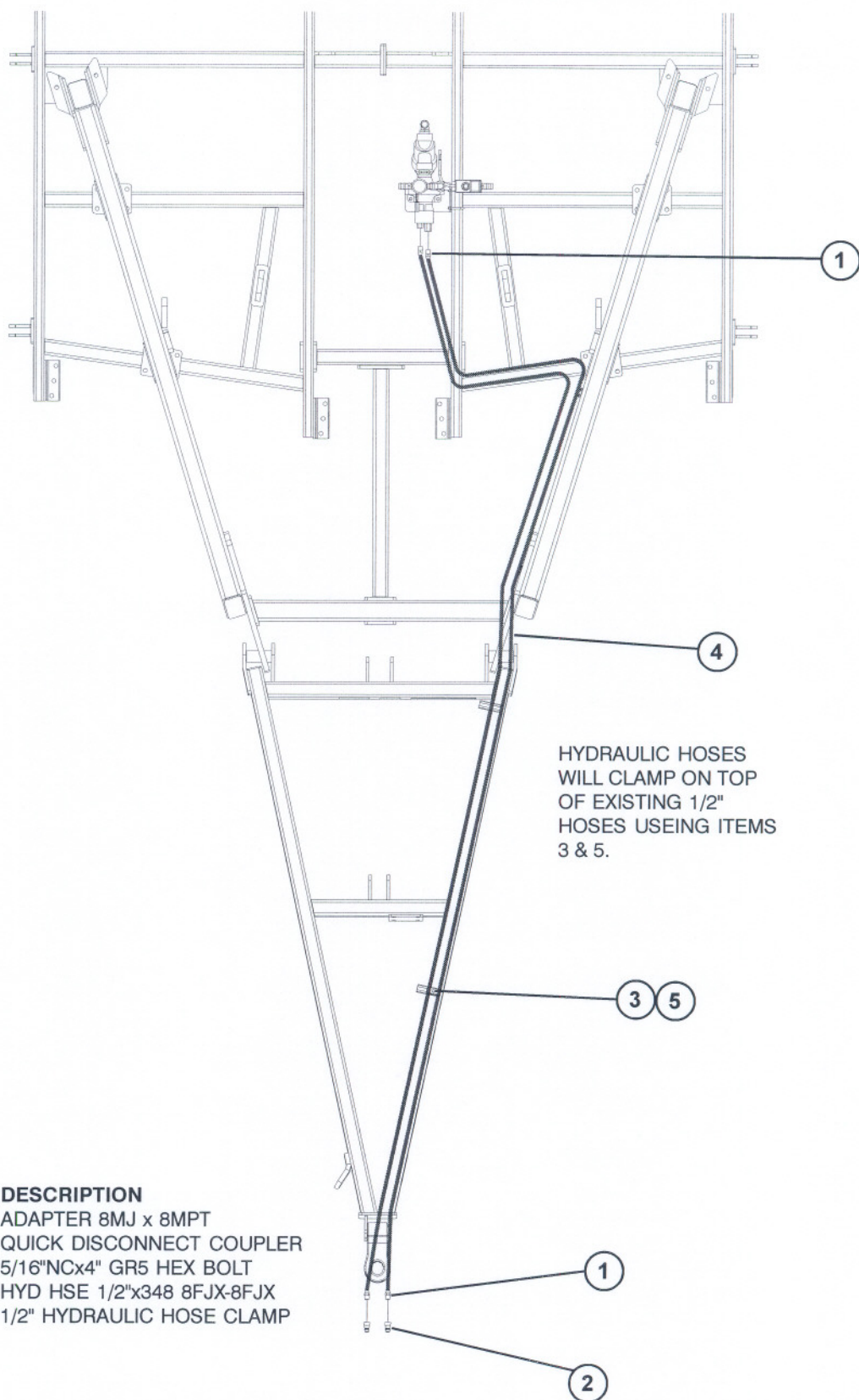
# 500 GALLON TANK PLUMBING



| ITEM | PART NO. | DESCRIPTION                      |
|------|----------|----------------------------------|
| 1    | 45903    | 1-1/2" MPT NIPPLE                |
| 2    | 46175    | 1-1/2" MPT x 1-1/2" HB ADAPTER   |
| 3    | 46254    | 1-1/2" FPT x 1-1/2" MPT ST ELBOW |
| 4    | 46258    | 1-1/2" FPT TEE                   |
| 5    | 46614    | 1-1/2" BALL VALVE                |
| 6    | 47906    | 1" BALL VALVE                    |
| 7    | B112130  | 1" CLOSED NIPPLE                 |
| 8    | 220057   | 1" NPT STREET ELBOW              |
| 9    | 239837   | 1" MPT x 1" HB                   |
| 10   | 239838   | 1" MPT x 1" HB ELBOW             |
| 11   | 239841   | 1" CLOSED COUPLER FPT            |
| 12   | 239850   | 500 GALLON TANK KIT              |

700089

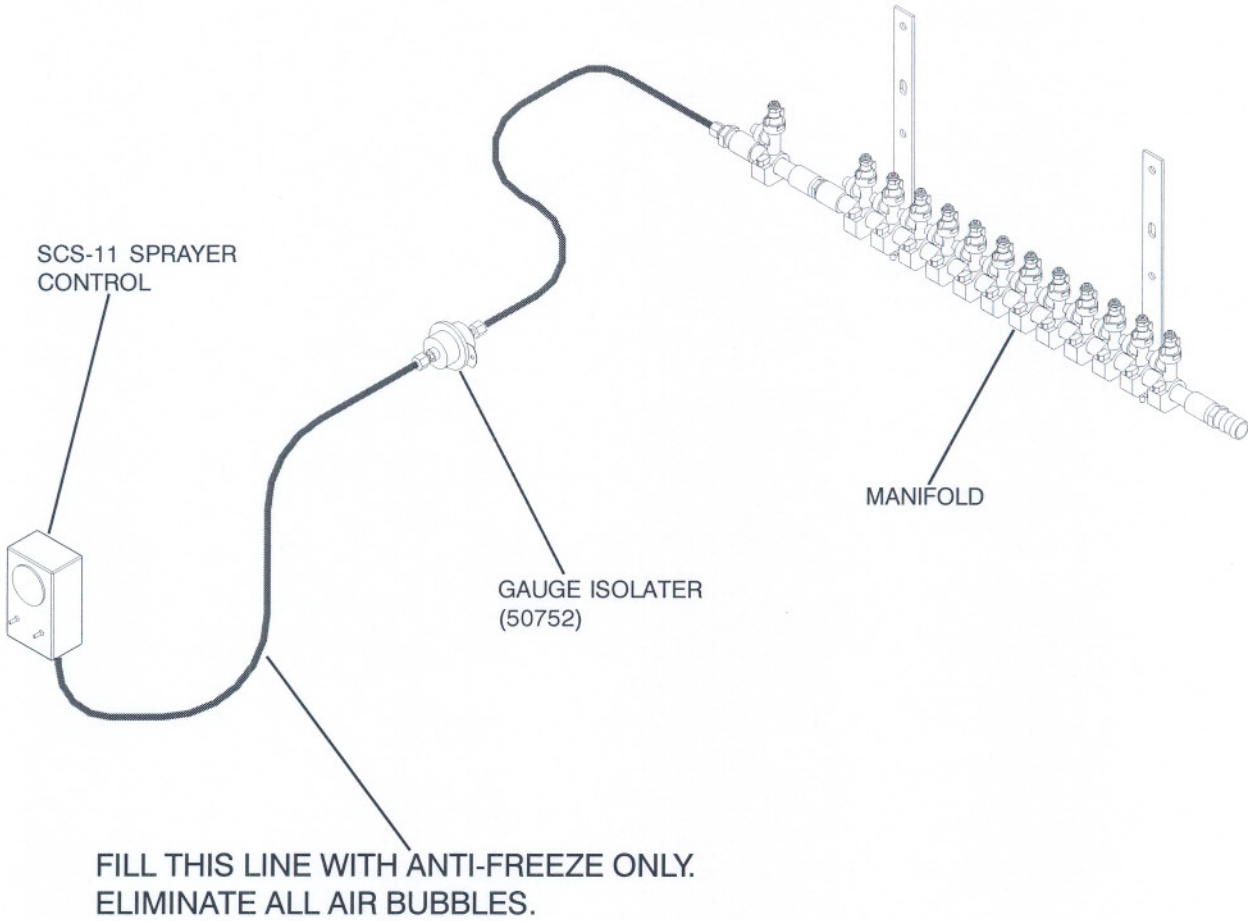
# HYDRAULICS-HYPRO PUMP



| ITEM | PART NO. | DESCRIPTION                |
|------|----------|----------------------------|
| 1    | 13234    | ADAPTER 8MJ x 8MPT         |
| 2    | 60640    | QUICK DISCONNECT COUPLER   |
| 3    | 88811    | 5/16"NCx4" GR5 HEX BOLT    |
| 4    | 209032   | HYD HSE 1/2"x348 8FJX-8FJX |
| 5    | 238400   | 1/2" HYDRAULIC HOSE CLAMP  |

700087

# GAUGE ISOLATER



MOUNT THE SCS-11 SPRAYER CONTROL IN THE TRACTOR CAB. MOUNT THE GAUGE ISOLATER ON THE REAR OF THE TRACTOR (3PT AREA). WHEN DETACHING IMPLEMENT GAUGE ISOLATER WILL STAY WITH TRACTOR.



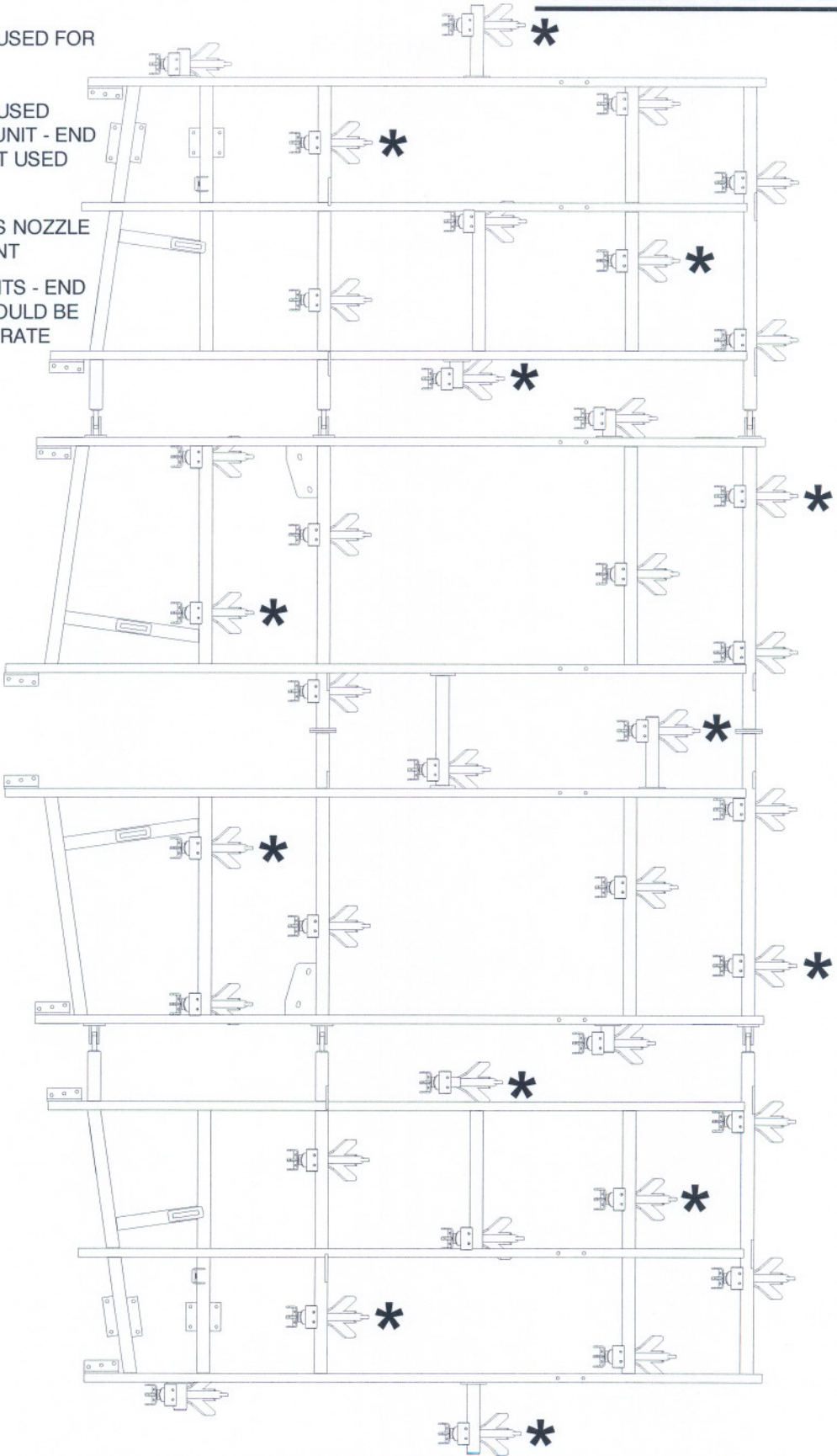
# NOZZLE PLACEMENT

13 NOZZLES USED FOR  
A 28 FT UNIT.

11 NOZZLES USED  
FOR A 25 FT UNIT - END  
NOZZLES NOT USED

**\*** INDICATES NOZZLE  
PLACEMENT

ON 28 FT UNITS - END  
NOZZLES SHOULD BE  
SET AT HALF RATE

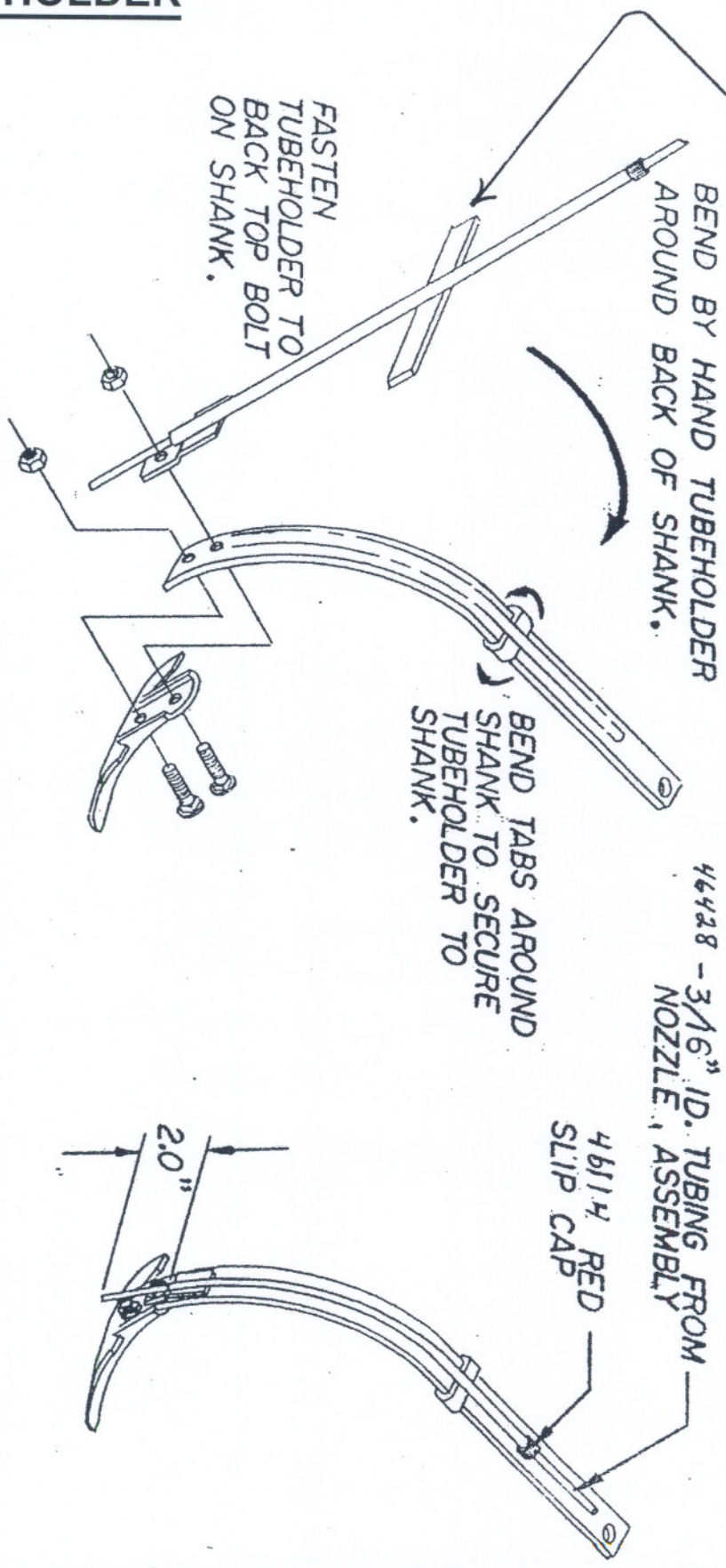


700083

# TUBE HOLDER

45-497

## TUBE HOLDER MOUNTING ILLUSTRATION





# RATE CHART

CHART FOR 28% LIQUID NITROGEN.

APPLICATOR: DCIII ON 27" SPACING

| Orifice plate<br>number | PSI | LPM/<br>NOZZLE | LITERS PER HECTARE @ KM/H |       |       |       |       |
|-------------------------|-----|----------------|---------------------------|-------|-------|-------|-------|
|                         |     |                | 4.83                      | 6.44  | 8.05  | 9.66  | 12.88 |
| 4916-35                 | 5   | 0.1971         | 33.71                     | 25.13 | 20.23 | 16.55 | 12.87 |
| 4916-35                 | 10  | 0.2767         | 47.81                     | 35.55 | 28.81 | 23.9  | 17.77 |
| 4916-35                 | 20  | 0.3942         | 67.42                     | 50.26 | 40.45 | 33.71 | 25.13 |
| 4916-35                 | 30  | 0.4813         | 82.13                     | 61.9  | 49.65 | 41.07 | 30.65 |
| 4916-49                 | 5   | 0.3942         | 63.13                     | 47.19 | 38    | 31.87 | 23.9  |
| 4916-49                 | 10  | 0.5571         | 89.49                     | 66.81 | 53.94 | 44.74 | 33.71 |
| 4916-49                 | 20  | 0.7883         | 128.7                     | 95    | 76    | 63.13 | 47.19 |
| 4916-49                 | 30  | 0.9665         | 153.2                     | 116.5 | 93.16 | 77.23 | 58.23 |
| 4916-70                 | 5   | 0.8186         | 128.7                     | 98.68 | 78.45 | 65.58 | 49.03 |
| 4916-70                 | 10  | 1.1597         | 183.9                     | 141   | 111.6 | 92.55 | 69.87 |
| 4916-70                 | 20  | 1.6373         | 263.6                     | 196.1 | 159.4 | 128.7 | 98.68 |
| 4916-70                 | 30  | 2.0087         | 318.7                     | 239   | 190   | 159.4 | 120.7 |
| 4916-98                 | 5   | 1.6752         | 269.7                     | 202.3 | 159.4 | 134.8 | 100.5 |
| 4916-98                 | 10  | 2.3688         | 380                       | 281.9 | 226.8 | 190   | 141   |
| 4916-98                 | 20  | 3.3466         | 533.2                     | 404.5 | 318.7 | 269.7 | 202.3 |
| 4916-98                 | 30  | 4.0932         | 655.8                     | 490.3 | 392.3 | 331   | 245.2 |

**NOTE: ALWAYS INSERT ORIFICE PLATE**

**WITH SIDE MARKED WITH NUMBER FACING**

**THE OUTLET OF THE NOZZLE BODY**