



PARTS MANUAL

QX²

XL²

3&5 SECTION FIELD CULTIVATORS

SERIAL NUMBER 457000 & UP

Printed in USA (74294) 1/2011

 **WIL-RICH**

PO Box 1030

Wahpeton, ND 58074

PH (701) 642-2621

Fax (701) 642-3372

www.wil-rich.com

WARRANTY

The only warranty Wil-Rich gives and the only warranty the dealer is authorized to give is as follows:

We warrant products sold by us to be in accordance with our published specifications or those specifications agreed to by us in writing at time of sale. Our obligation and liability under this warranty is expressly limited to repairing, or replacing, at our option, within 12 months after date of retail delivery, any product not meeting the specifications. ***We make no other warranty, express or implied and make no warranty of merchantability or of fitness for any particular purpose.*** Our obligation under the warranty shall not include any transportation charges or costs or installation or any liability for direct, indirect or consequential damage or delay. If requested by us, products or parts for which a warranty claim is made are to be returned transportation prepaid to our factory. Any improper use, operation beyond rated capacity, substitution of parts not approved by us, or any alteration or repair by others in such manner as in our judgment affects the product materially and adversely shall void this warranty. ***No employee or representative is authorized to change this warranty in any way or grant any other warranty.***

Wil-Rich reserves the right to make improvement changes on any of our products without notice.

When warranty limited or not applicable: Warranty on hoses, cylinders, hubs, spindles, engines, valves, pumps or other trade accessories are limited to the warranties made by the respective manufactures of these components. Rubber tires and tubes are warranted directly by the respective tire manufacturer only, and not by Wil-Rich.

Warranty does not apply to any machine or part which has been repaired or altered in any way so as in the our judgment to affect its reliability, or which has been subject to misuse, negligence or accident.

A Warranty Validation and Delivery Report Form must be filled out and received by Wil-Rich to initiate the warranty coverage.

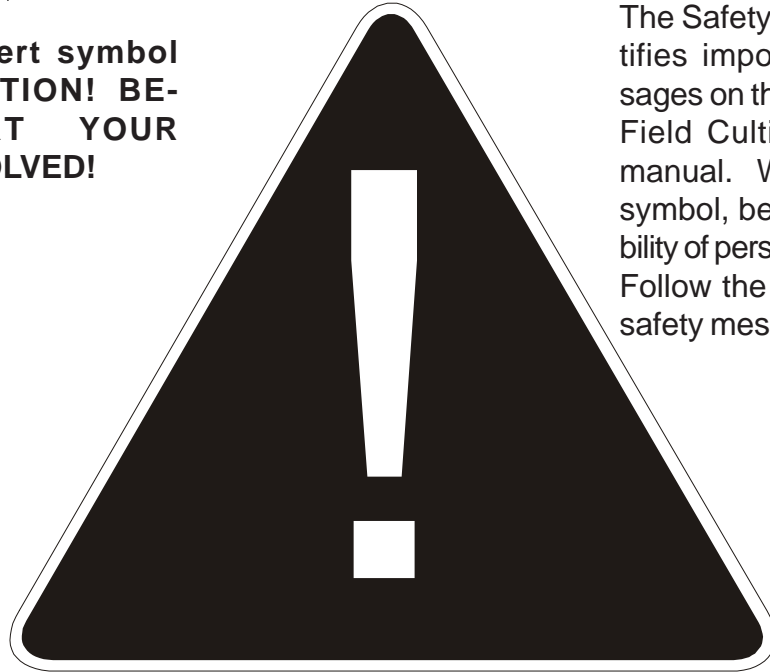
WARRANTY CLAIMS PROCEDURE

1. The warranty form must be returned to Wil-Rich within fifteen (15) working days from the repair date.
2. Parts returned to Wil-Rich without authorization will be refused. The parts must be retained at the dealership for ninety (90) days after the claim has been filed. If the Service Department would like to inspect the parts, a packing slip will be mailed to the dealer. The packing slip must be returned with the parts. The parts must be returned prepaid within thirty (30) days of receiving authorization. After the parts are inspected and warranty is verified, credit for the return freight will be issued to the dealer.
3. Parts that will be scrapped at the dealership will be inspected by a Wil-Rich Sales Representative, District Sales Manager or Service Representative within the ninety (90) day retaining period.

PERSONAL SAFETY IS IMPORTANT!

ALL PERSONNEL INVOLVED WITH THE ASSEMBLY AND/OR OPERATION OF THIS EQUIPMENT MUST BE INFORMED OF PROPER SAFETY PROCEDURES. OPERATOR'S/ ASSEMBLY MANUALS PROVIDE THE NECESSARY INFORMATION. IF THE MANUAL IS LOST FOR A PARTICULAR IMPLEMENT, ORDER A REPLACEMENT AT ONCE. OPERATOR'S AND ASSEMBLY MANUALS ARE AVAILABLE AT NO CHARGE UPON REQUEST.

This Safety Alert symbol means **ATTENTION! BECOME ALERT YOUR SAFETY IS INVOLVED!**



The Safety Alert symbol identifies important safety messages on the Wil-Rich Quad X Field Cultivator and in this manual. When you see this symbol, be alert to the possibility of personal injury or death. Follow the instructions in the safety message.

Why is SAFETY important to you?

3 Big Reasons

Accidents Disable and Kill
Accidents Cost
Accidents Can Be Avoided

SIGNAL WORDS:

Note the use of the signal words **DANGER**, **WARNING** and **CAUTION** with the safety messages. The appropriate signal word for each message has been selected using the following guidelines:

DANGER

An immediate and specific hazard which **WILL** result in severe personal injury or death if the proper precautions are not taken.

WARNING

A specific hazard or unsafe practice which **COULD** result in severe personal injury or death if the proper precautions are not taken

CAUTION

Unsafe practices which **COULD** result in personal injury if proper practices are not taken, or as a reminder of good safety practices.

ADDRESS INQUIRIES TO: WIL-RICH PO BOX 1030
WAHPETON, ND 58074
PH (701) 642-2621 FAX (701) 642-3372

Orientation

Any reference to left (L) or right (R) sides or components is to be understood as being viewed from behind the implement and looking forward.

Serial Number Break

Every implement has a serial number located on the frame. These serial numbers are consecutively assigned to the implements as they are manufactured. To aid in part ordering, we reference to the serial number at the point the change occurred to provide an accurate means of determining the proper parts.

Modifications

It is the policy of WIL-RICH Operations to improve its products whenever possible and practical to do so. We reserve the right to make changes, improvements, and modifications at any time without incurring the obligation to make such changes, improvements and modifications on any equipment sold previously.

Abbreviations

ASSY	Assembly
ADP	Adaptor
BLD	Blade
BLT	Bolt
BRKT	Bracket
CTR	Center
CP	Cup Point
Dia	Diameter
ELB	Elbow
FC	Feild Cultivator
(FF)	Female Female
FJ	Female JIC
FJX	Female JIC Swivel
GR	Grade of Bolt
HD	Heavy Duty
HDWE	Hardware
HYD	Hydraulic
LH	Left Hand
(MF)	Male Female
MJ	Male JIC
MF	Main Frame
MTG	Mounting
MORB	Male O-ring Boss
MPT	Male Pipe Thread
NC	National Course Thread
NF	National Fine Thread
NPT	National Pipe Thread
REF	Reference
RH	Right Hand
SEC	Section
SS	Screw Stop
SST	Stainless Steel
TA	Tandem
TBP	Top Bypass
W/	With
W/O	Without

GENERAL INFORMATION	2, 3,4 & 5
---------------------------	------------

ASSEMBLY

XL ² 11', 13' & 16' MAIN FRAME	6
QX ² 13' & 16' MAIN FRAME	7
XL ² 11', 13' & 16' HITCH ASSEMBLY	8
XL ² HITCH ASSEMBLY CONTINUED	9
QX ² 13' & 16' HITCH ASSEMBLY	10
XL ² 7', 9'4" & 11'8" WING	11
XL ² 5-SECTION INNER WING	12
QX ² 7', 9'4" & 11'8" WING	13
QX ² 5-SECTION INNER WING	14
QX ² XL ² 7' & 9'4" OUTER WING	15
QX ² XL ² 5-SECTION OUTER WING HINGE	16
3' OUTER WING	17
5' FLOATING OUTER WING W/GAUGE WHEEL	18
6' FLOATING OUTER WING W/GAUGE WHEEL	19
3-SECTION INNER WING LIFT COMPONENTS	20
5-SECTION INNER WING LIFT COMPONENTS	21
5-SECTION INNER WING LIFT COMPONENTS	22
SERIAL # 458830 & UP	22
PARALLEL LINK GAUGE WHEEL	23
QX ² PARALLEL LINK GAUGE WHEEL (MAIN)	24
QX ² PARALLEL LINK GAUGE WHEEL (WING) ..	25-26
OUTER WING HYDRAULIC GAUGE WHEEL	26-27
QX ² & XL ² MAIN AXLE & WKG TANDEM	28
1-3/4", 2" & 2-1/2" HUB & SPINDLE	29
GAUGE WHEEL HUB & SPINDLE	30
11' XL ² WING REST	31
SHOVELS	32
DEPTH GAUGE	33

LIFT HYDRAULICS

SINGLE POINT DEPTH CONTROL	34
SEQUENCE VALVE	35
HOSE CLAMP	36
STANDARD-CHECK VALVE W/O SINGLE POINT ...	37
5-SEC XL ² 13' MF W/9'4" IW & 7' OW	38-39
5-SEC XL ² 13' MF w/11'8" IW7' & 9'4" OW	40-41
5-SEC XL ² 16' MF w/11'8" IW7' & 9'4" OW	42-43
5-SEC QX ² 13' MF w/9'4" IW & 7' OW	44-45
5-SEC QX ² 13' MF w/11'8" IW7' & 9'4" OW	46-47
5-SEC QX ² 16' MF w/11'8" IW7' & 9'4" OW	48-49

WING FOLD HYDRAULICS

5-SEC XL ² 13' MF w/9'4" IW & 7' OW	50-51
5-SEC XL ² 13' MF w/11'8" IW7' & 9'4" OW	52-53
5-SEC XL ² 16' MF w/11'8" IW7' & 9'4" OW	54-55
5-SEC QX ² 13' MF w/9'4" IW & 7' OW	56-57
5-SEC QX ² 13' MF w/11'8" IW7' & 9'4" OW	58-59
5-SEC QX ² 16' MF w/11'8" IW7' & 9'4" OW	60-61

LIFT HYDRAULICS

QX ² 13' MF w/7' WING	62
QX ² 13' MF w/9'4" & 11'8" WING	63
QX ² 16' MF w/11'8" WING	64

CONTENTS

WING FOLD HYDRAULICS

QX ² 13'MF w/7' WING	65
QX ² 13'MF w/9'4" & 11'8" WINGS	66
QX ² 13'MF w/9'4" IW & 3' & 5' OW	67
QX ² 13'MF w/9'4" IW & 3',5' & 6' OW	68
QX ² 16'MF w/11'8" WING	69
QX ² 16'MF w/11'8" IW & 3',5' & 6' OW	70

LIFT HYDRAULICS

XL ² 11'MF w/4' WING	71
XL ² 11'MF w/7' WING	72
XL ² 11'MF w/9'4" WING	73
XL ² 13'MF w/9'4" & 11'8" WING	74
XL ² 16'MF w/11'8" WING	75

WING FOLD HYDRAULICS

XL ² 11'MF w/4' WING	76
XL ² 11'MF w/7' WING	77
XL ² 11'MF w/9'4" WING	78
XL ² 11'MF w/9'4" IW & 3' & 5' OW	79
XL ² 13'MF w/9'4" & 11'8" WING	80
XL ² 13'MF w/9'4" IW & 3',5' & 6' OW	81
XL ² 13'MF w/11'8" IW & 3',5' & 6' OW	82
XL ² 16'MF w/11'8" WING	83
XL ² 16'MF w/11'8" IW & 3',5' & 6' OW	84

XL² LIFT HYDRAULICS (SERIAL # 459350 & UP)

11' XL ² 25'	85
11' XL ² 30'	86
13' XL ² 32'	87
13' XL ² 37'	88

XL² WING FOLD HYDRAULICS (SN # 459350 & UP)

11' XL ² 30'	89
11' XL ² 30' W/OUTER WINGS	90
13' XL ² 32' & 37'	91
13' XL ² 32' & 37' W/ OUTER WING	92

LIFT HYDRAULICS QX² (SERIAL # 459350 & UP)

QX ² 27'	93
QX ² 32'	94
QX ² 37'	95

QX² WING FOLD HYDRAULICS (SN #45935 & UP)

13' QX ² 32' & 37'	96
13' QX ² 32' & 37' W/OUTER WINGS	97
BLANK PAGE FOR NOTES	98
VALVE MOUNT (SERIAL # 459350 & UP)	99

CONTENTS

QX² LIFT HYDRAULICS (SN: 459350 & UP)

QX ² 46'	100-101
QX ² 50'	102-103
QX ² 55'	104-105

QX WING FOLD HYDRAULICS (SN: 459350 & UP)

QX ² 46'	106-107
QX ² 50' & 55'	108-109

XL² LIFT HYDRAULICS (SN: 459350 & UP)

XL ² 46'	110-111
XL ² 50'	112-113
XL ² 55'	114-115

XL² WING FOLD HYDRAULICS (SN: 459350 & UP)

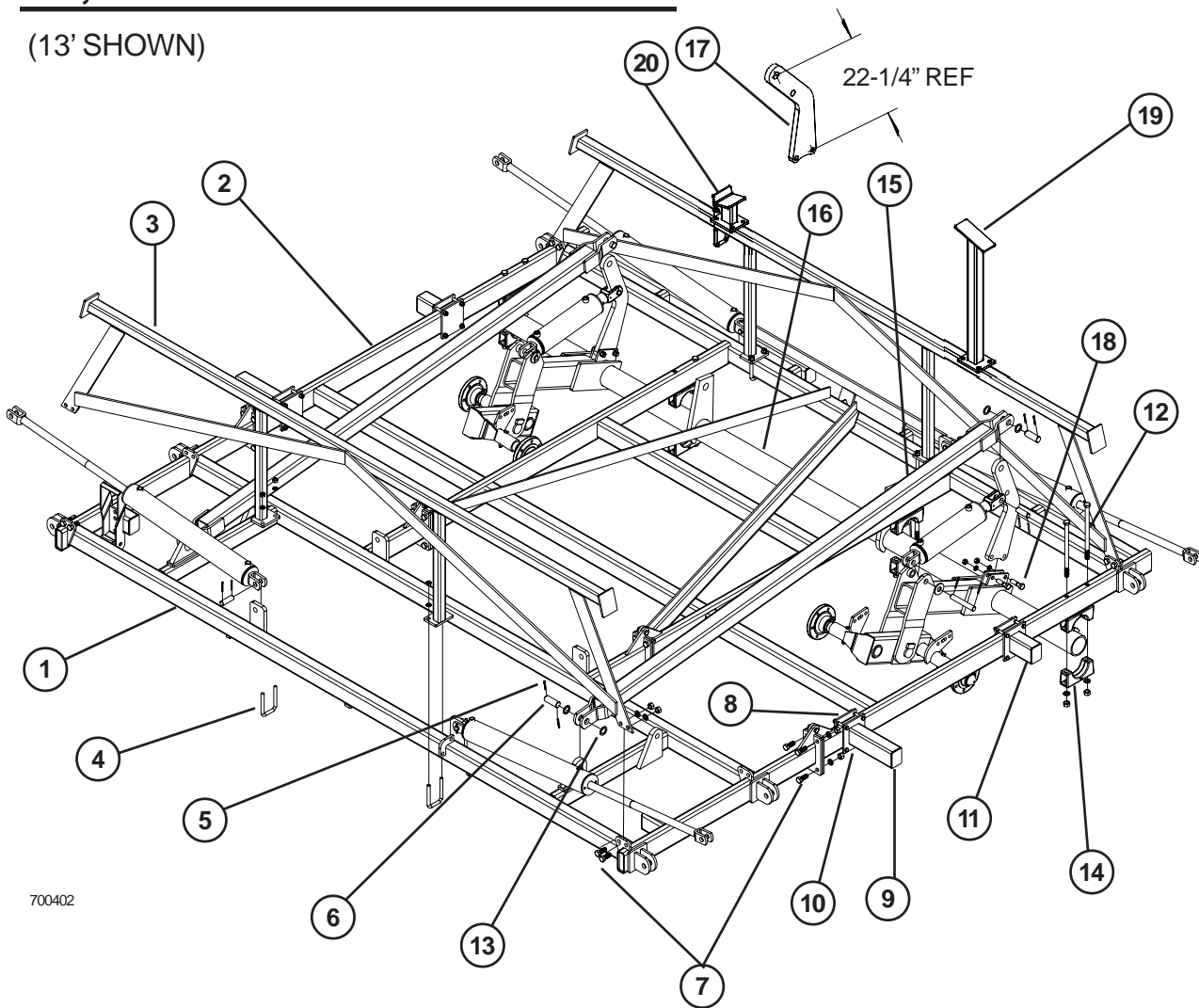
XL ²² 46'	116-117
XL ² 50' & 55'	118-119

SHANKS

TWIN SPRING SHANK ASSEMBLY	120
SINGLE SPRING SHANK ASSEMBLY	121
REAR HITCH & BRACE ARMS	122
MUD SCRAPERS	123
GAUGE WHEEL SCRAPER	124
LIGHTS	125
TIRE ASSEMBLIES, RIMS, TIRE, & VALVE STEMS ..	126
DECALS	127
BLANK PAGE FOR NOTES	128

11', 13' & 16' XL² MAIN FRAME

(13' SHOWN)



700402

ITEM	PART NO	DESCRIPTION
1	241881	11' FRONT FRAME BAR
	240811	13' FRONT FRAME BAR
	241877	16' FRONT FRAME BAR
2	241879	11' FRONT FRAME BAR
	240810	13' MAIN FRAME
	241876	16' MAIN FRAME
3	240818	13' WING REST
	241878	16' WING REST
4	88503	BLT-U 5/8-11NCX3X5-1/4 Z
5	42484	SPIROL PIN 1/4"x2-1/4"
6	68034	PIN (1-1/4"x3-3/8")
7	88290	3/4"NCx2" GR8 BOLT
8	65688	3/8" BOLT PLATE 5-1/2"x4-3/4"
9	68020	12-1/2" SHANK STUB
10	88507	1/2"NCx3-1/2" GR5 BOLT
11	68021	6-1/2" SHANK STUB
12	89165	3/4"NCx13" GR5 BOLT
13	88440	1-1/4"x1-7/8"x 14 GA BUSHING
14	34132	AXLE CLAMP ASSEMBLY

ITEM	PART NO	DESCRIPTION
15	67707	MF AXLE SUPPORT ARM
16	221396	11' MAIN AXLE ASSY
	221465	13' MAIN AXLE ASSY
	221325	16' MAIN AXLE ASSY
17	221262	MAST ANCHOR FOR 12.56 CYL
18	88841	3/4"NC x 2-3/4" GR5 BOLT
19	221578	WING REST (5-SEC ONLY) (7' OUTER WING)
20	221381	WING REST (5SEC ONLY) (9'4" OUTER WING)

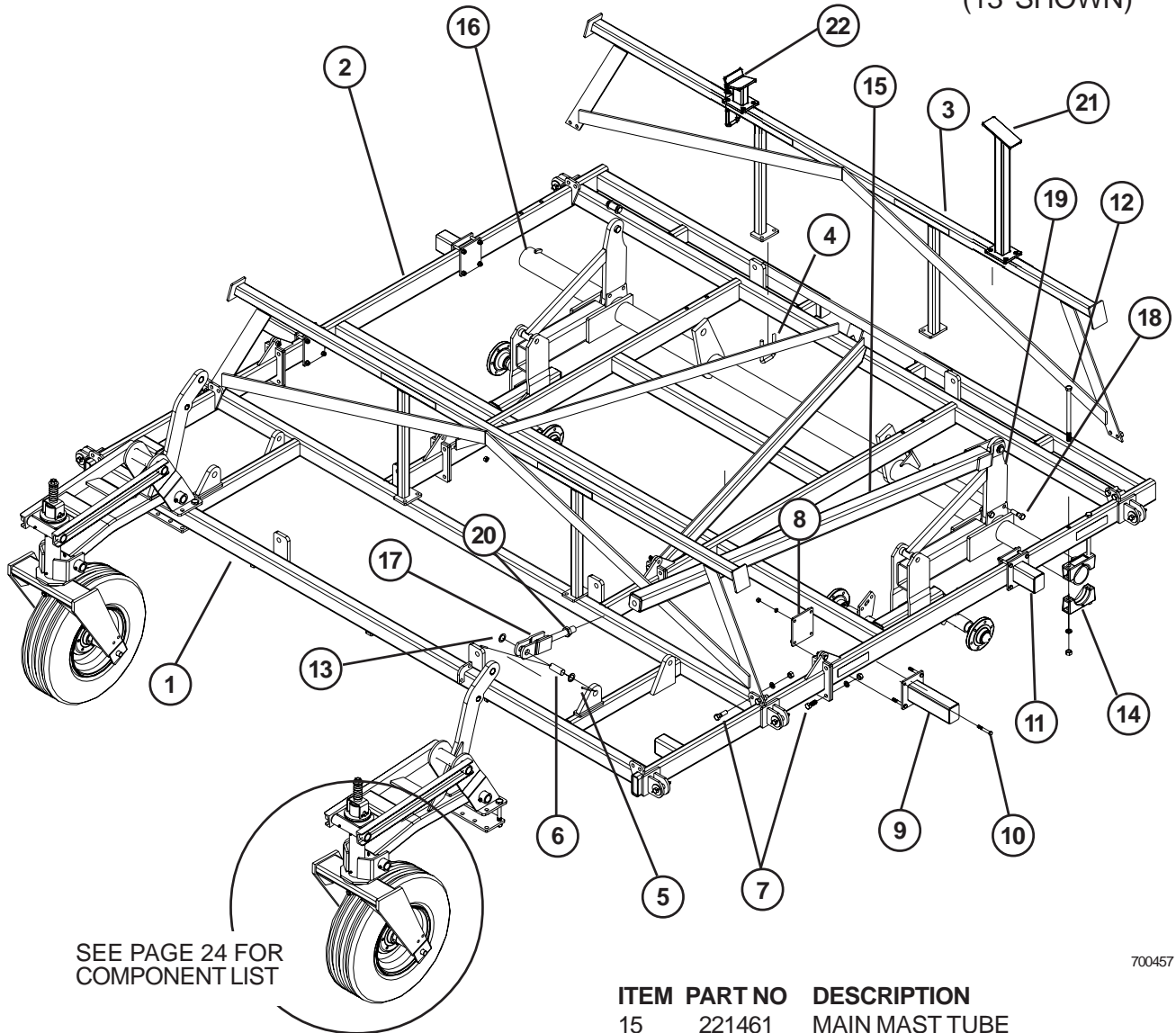
Standard Nuts and Lock Washers

88172	1/4NC Nut	88262	1/4 Lock Washer
88103	3/8NC Nut	88362	3/8 Lock Washer
88104	1/2NC Nut	88303	1/2 Lock Washer
88126	5/8NC Nut	88129	5/8 Lock Washer
88110	3/4NC Nut	88130	3/4 Lock Washer
88371	7/8NC Nut	88341	7/8 Lock Washer

Note: Standard nuts and lock washers are not called out. Anything other than standard will be called out.

13' & 16' QX² MAIN FRAME

(13' SHOWN)



SEE PAGE 24 FOR
COMPONENT LIST

700457

ITEM	PART NO	DESCRIPTION
1	240811	13' FRONT FRAME BAR
	241877	16' FRONT FRAME BAR
2	240810	13' MAIN FRAME
	241876	16' MAIN FRAME
3	240818	13' WING REST
	241878	16' WING REST
4	88503	BLT-U 5/8-11NCX3X5-1/4 Z
5	42484	SPIROL LOCK PIN
6	68034	PIN (1-1/4"x3-3/8")
7	88290	3/4"NCx2" GR8 BOLT
8	65688	3/8" BOLT PLATE 5-1/2"x4-3/4"
9	68020	12-1/2" SHANK STUB
10	88507	1/2"NCx3-1/2" GR5 BOLT
11	68021	6-1/2" SHANK STUB
12	89165	3/4"NCx13" GR5 BOLT
13	88440	1-1/4"x1-7/8"x 14 GA BUSHING
14	34132	AXLE CLAMP ASSEMBLY

ITEM	PART NO	DESCRIPTION
15	221461	MAIN MAST TUBE
16	221465	13' MAIN AXLE ASSY
	221325	16' MAIN AXLE ASSY
17	54800	CLEVIS ADJUST ROD
18	88841	3/4"NC x 2-3/4" GR5 BOLT
19	220769	AXLE ANCHOR (QUADX)
20	88622	1-1/4"NC JAM NUT
21	221578	WING REST (5-SEC ONLY) (7' OUTER WING)
22	221381	WING REST (5SEC ONLY) (9'4" OUTER WING)

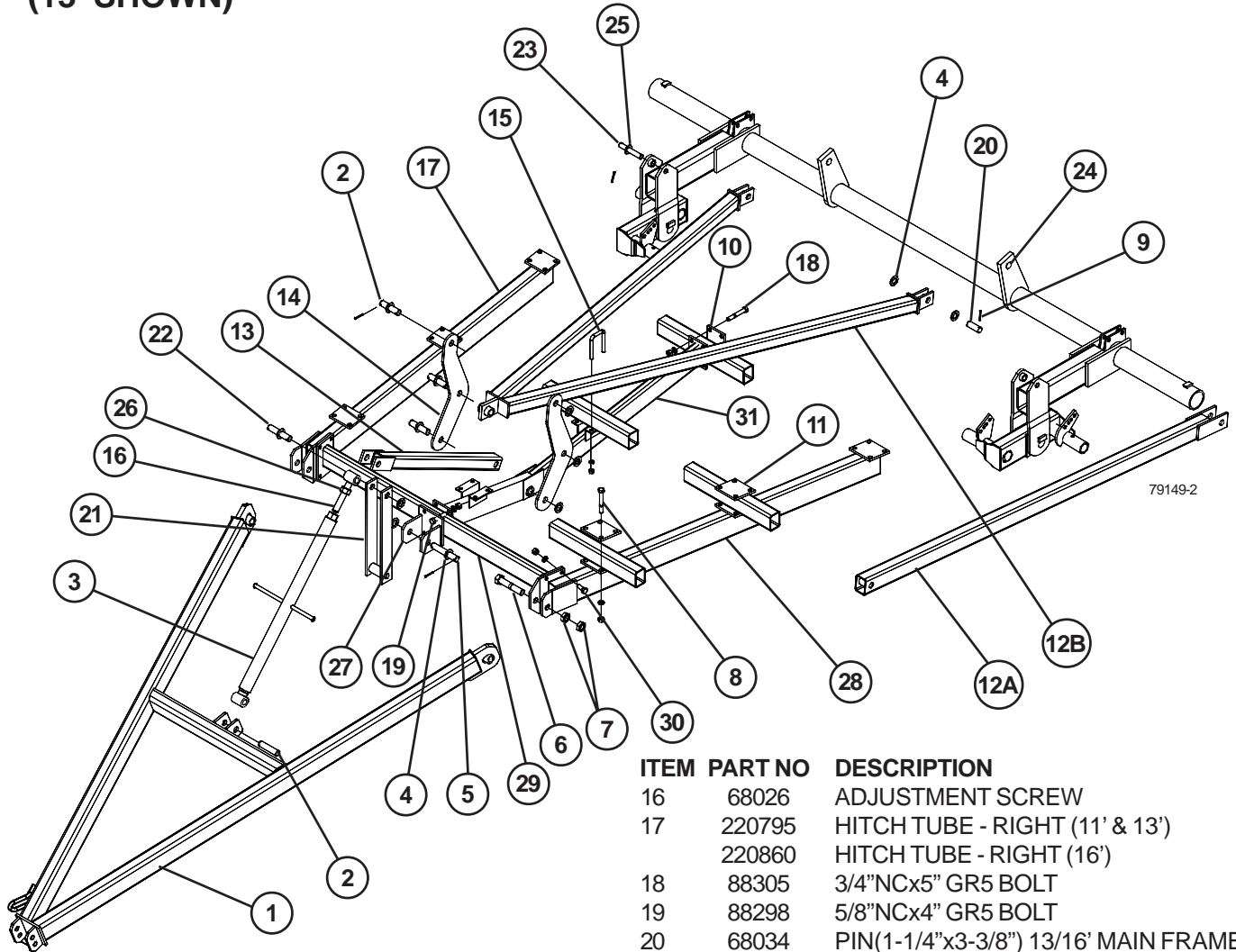
Standard Nuts and Lock Washers

88172	1/4NC Nut	88262	1/4 Lock Washer
88103	3/8NC Nut	88362	3/8 Lock Washer
88104	1/2NC Nut	88303	1/2 Lock Washer
88126	5/8NC Nut	88129	5/8 Lock Washer
88110	3/4NC Nut	88130	3/4 Lock Washer
88371	7/8NC Nut	88341	7/8 Lock Washer

Note: Standard nuts and lock washers are not called out. Anything other than standard will be called out.

XL² 11', 13' & 16' HITCH ASSEMBLY

(13' SHOWN)



ITEM	PART NO	DESCRIPTION
1	68086	11' XL ² MAIN FRAME HITCH
	233672	13' XL ² MAIN FRAME HITCH
	221161	16' XL ² MAIN FRAME HITCH
2	68031	PIN (1-1/4"ODx5-1/8")
3	68036	ADJUSTER ASSEMBLY
4	88440	MACHINERY BUSHING 1-1/4"x1-7/8"x14 GA
5	68032	PIN (1-1/4"ODx7-1/4")
6	88349	1-1/4"NCx6-1/2" GR5 BOLT
7	88622	1-1/4"NC JAM NUT
8	88293	3/4"NCx6" GR5 BOLT
9	42484	SPIROL PIN 1/4"x2-1/4"
10	68354	4 HOLE BOLT PLATE(3.5"x4.75")
11	68040	4 HOLE DIAMOND PLATE 65°
	68083	4 HOLE DIAMOND PLATE 81°
12A	68084	11 XL ² CENTER LIFT TUBE BRACKET
12B	67743	13 XL ² CENTER LIFT TUBE BRACKET
	68071	16 XL ² CENTER LIFT TUBE BRACKET
13	67906	LINKAGE
14	67933	PLATE
15	88503	5/8"NCx3"x5-1/4" U-BOLT

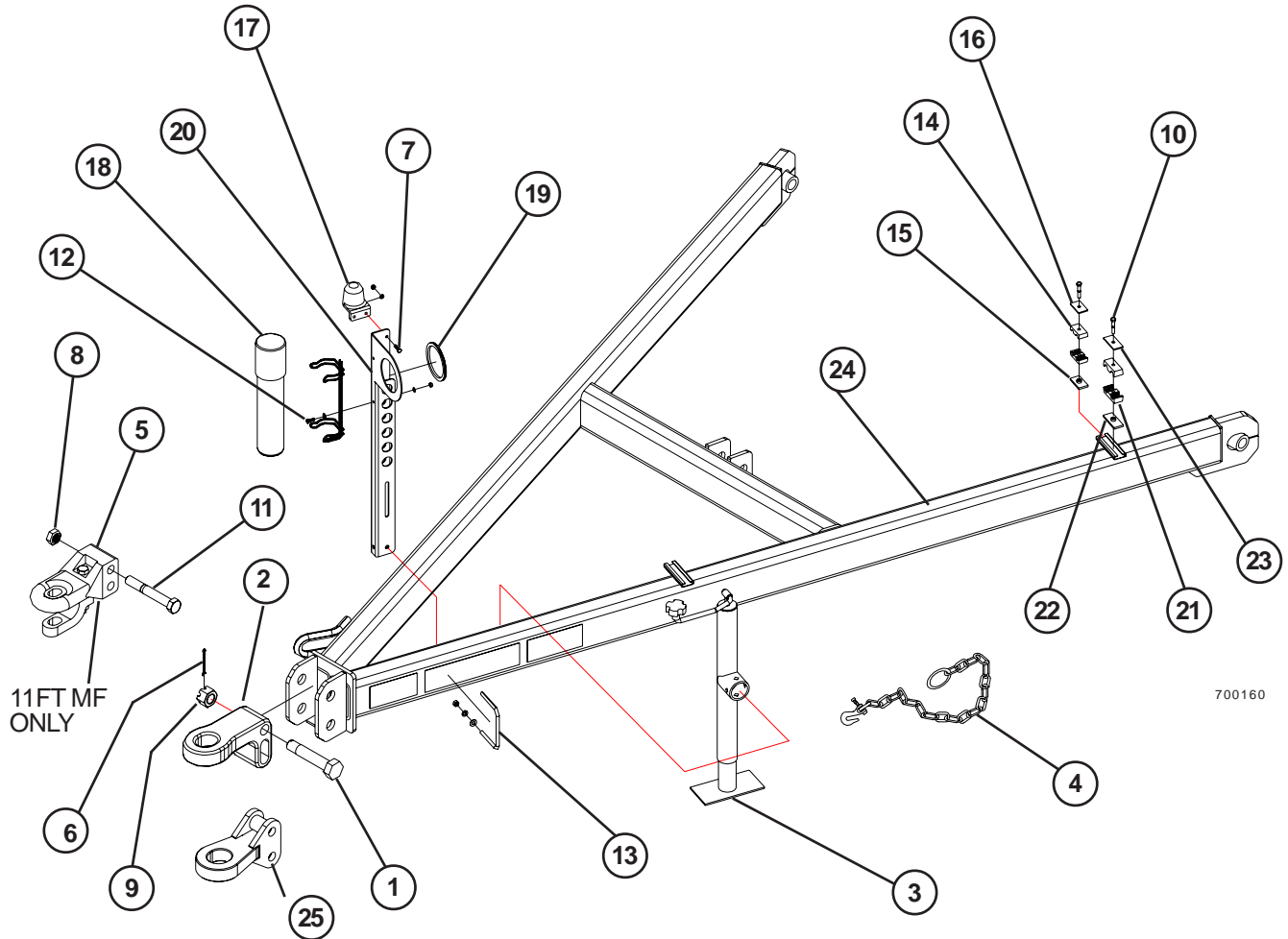
ITEM	PART NO	DESCRIPTION
16	68026	ADJUSTMENT SCREW
17	220795	HITCH TUBE - RIGHT (11' & 13')
	220860	HITCH TUBE - RIGHT (16')
18	88305	3/4"NCx5" GR5 BOLT
19	88298	5/8"NCx4" GR5 BOLT
20	68034	PIN(1-1/4"x3-3/8") 13/16' MAIN FRAME
	68031	PIN(1-1/4"x5-1/8") 11FT MAIN FRAME
21	67937	CENTER HITCH BRACKET
22	68030	PIN (1-1/4"x6-1/8")
23	68033	PIN (1x6-3/8")
24	33535	SPRING TENSION BUSHING(1-1/4")
25	88196	1" FLAT WASHER
26	88622	1-1/4"NC JAM NUT
27	221062	CENTER HITCH BRACKET
28	220796	HITCH TUBE - LEFT(11' & 13')
	220859	HITCH TUBE - LEFT (16')
29	220791	HITCH TUBE (11')
	220792	HITCH TUBE (13')
	220858	HITCH TUBE (16')
30	88294	5/8"NCx2" GR5 BOLT
31	220785	CENTER FRAME HITCH ATTACH

Standard Nuts and Lock Washers

88172	1/4NC Nut	88262	1/4 Lock Washer
88103	3/8NC Nut	88362	3/8 Lock Washer
88104	1/2NC Nut	88303	1/2 Lock Washer
88126	5/8NC Nut	88129	5/8 Lock Washer
88110	3/4NC Nut	88130	3/4 Lock Washer
88371	7/8NC Nut	88341	7/8 Lock Washer

Note: Standard nuts and lock washers are not called out. Anything other than standard will be called out.

XL² HITCH ASSEMBLY CONTINUED



ITEM	PART NO	DESCRIPTION
1	11638	1-1/4"NCX6-1/2" HITCH BOLT
2	18236	CAST DUAL HITCH
3	24415	JACK
4	24459	SAFETY CHAIN
5	68057	PERFECT HITCH
	68055	PERFECT HITCH-BASE
	68056	PERFECT HITCH-CLEVIS
6	88133	3/16"X2" COTTER PIN
7	88203	1/4"NC X 1" HEX BOLT
8	88348	1"NC CENTER LOCK NUT
9	88350	1-1/4"NC SLOTTED NUT
10	88480	5/16"NC X 1-3/4" HEX BOLT
11	88687	1"NC X 7" GR8 HEX BOLT
12	88993	1/4"NC X 3/4" HEX BOLT
13	89069	3/8"NC X 4" X 5" U-BOLT
14	220645	CUSHION CLAMP 3/8"
15	221443	BASE PLATE 3/8"
16	221445	COVER PLATE 3/8"
17	223329	PLUG HOLDER
18	234313	STORAGE TUBE-MANUAL
19	236092	RUBBER EDGE
20	236142	HYDRAULIC HOSE BRACKET

ITEM	PART NO	DESCRIPTION
21	238400	CUSHION CLAMP 1/2"
22	238401	BASE PLATE 1/2"
23	238402	COVER PLATE 1/2"
24	68086	11' XL2 HITCH
	233672	13' XL2 HITCH
25	246795	CAT 5 HITCH

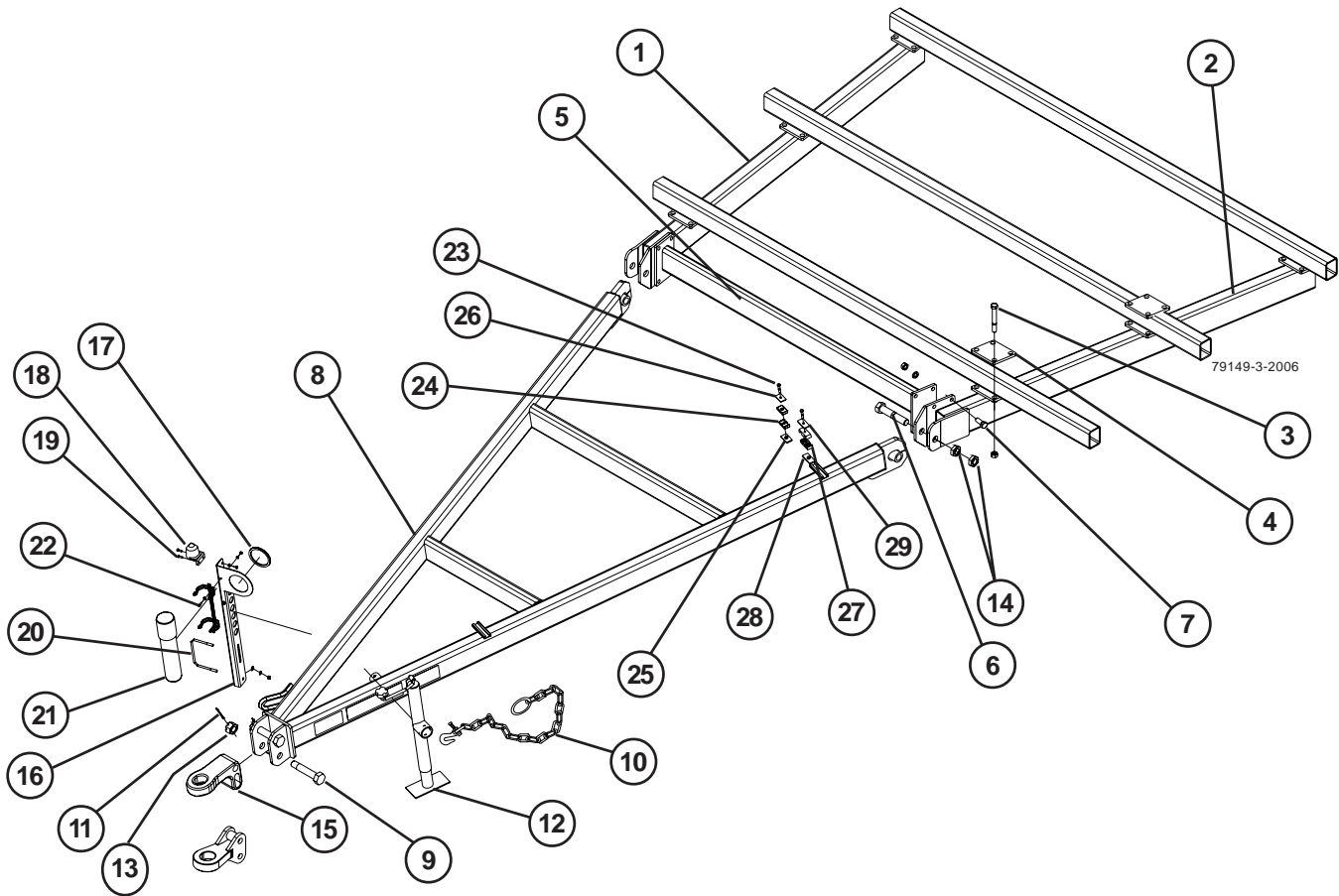
Standard Nuts and Lock Washers

88172	1/4NC Nut	88262	1/4 Lock Washer
88103	3/8NC Nut	88362	3/8 Lock Washer
88104	1/2NC Nut	88303	1/2 Lock Washer
88126	5/8NC Nut	88129	5/8 Lock Washer
88110	3/4NC Nut	88130	3/4 Lock Washer
88371	7/8NC Nut	88341	7/8 Lock Washer

Note: Standard nuts and lock washers are not called out. Anything other than standard will be called out.

QX² 13' & 16' HITCH ASSEMBLY

(13' SHOWN)



ITEM	PART NO	DESCRIPTION
1	220860	RIGHT HITCH TUBE (16')
	220795	RIGHT HITCH TUBE (13')
2	220796	LEFT HITCH TUBE (13')
	220859	LEFT HITCH TUBE (16')
3	88293	3/4"NCx6" GR5 BOLT
4	68083	PLATE (16')
	68040	PLATE (13')
5	220858	16' HITCH TUBE
	220792	13' HITCH TUBE
6	88349	1-1/4"NCx6-1/2" GR5 BOLT
7	88294	5/8"NCx2" GR5 BOLT
8	233670	13' QX HITCH
	233671	16' QX HITCH
9	11638	1-1/4"NCx6-1/2" HITCH BOLT
10	24459	SAFETY CHAIN
11	88133	3/16"X2" COTTER PIN
12	24415	JACK
13	88350	1-1/4"NC SLOTTED NUT
14	88622	1-1/4"NC JAM NUT
15	18236	CAST DUAL HITCH
16	236142	HYDRAULIC HOSE BRACKET

ITEM	PART NO	DESCRIPTION
17	236092	RUBBER EDGE
18	223329	PLUG HOLDER
19	88203	1/4"NC X 1" HEX BOLT
20	89069	3/8"NC X 4" X 5" U-BOLT
21	234313	STORAGE TUBE-MANUAL
22	88993	1/4"NC X 3/4" HEX BOLT
23	88480	5/16"NC X 1-3/4" HEX BOLT
24	220645	CUSHION CLAMP 3/8"
25	221443	BASE PLATE 3/8"
26	221445	COVER PLATE 3/8"
27	238400	CUSHION CLAMP 1/2"
28	238401	BASE PLATE 1/2"
29	238402	COVER PLATE 1/2"

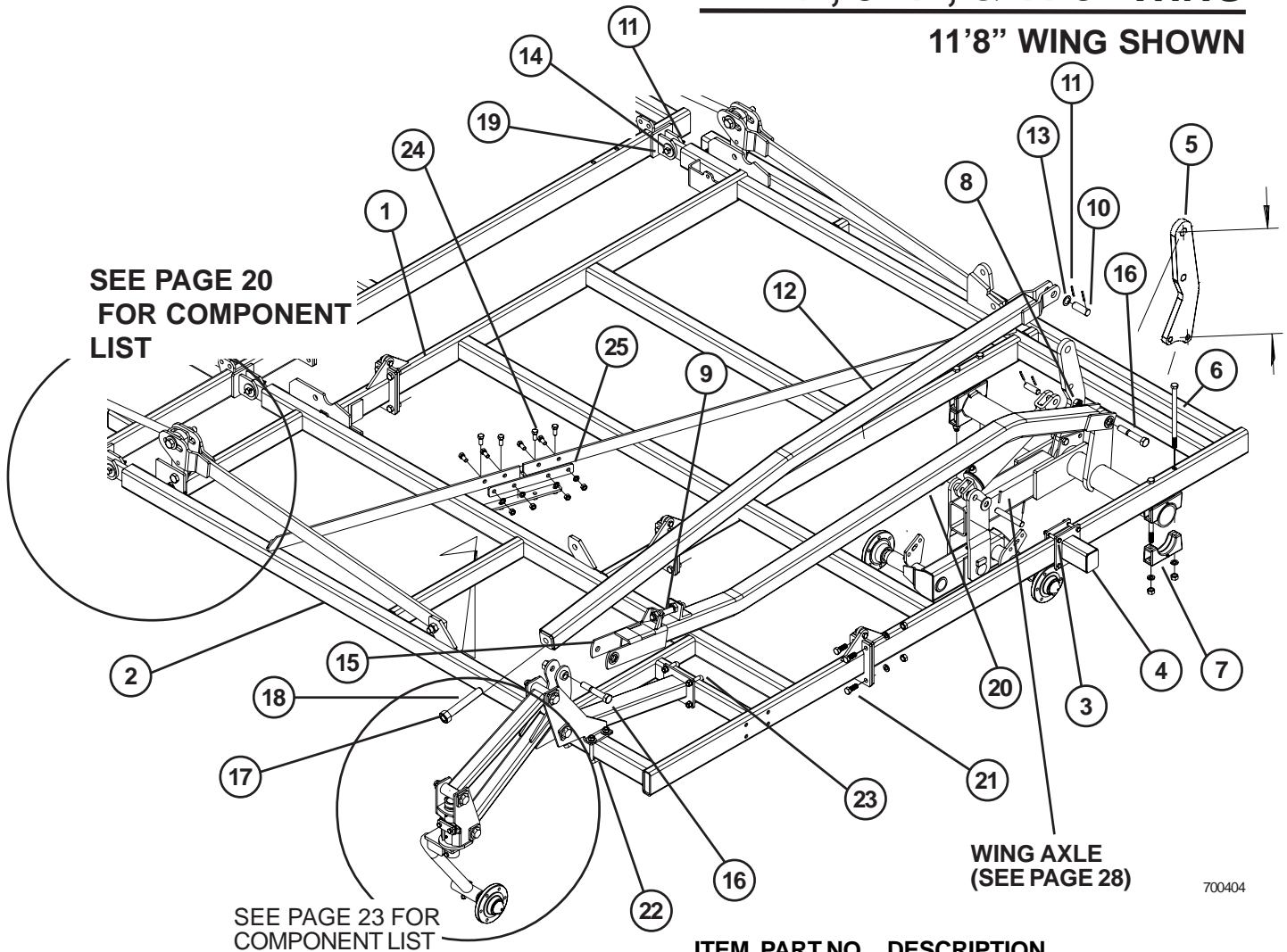
Standard Nuts and Lock Washers

88172	1/4NC Nut	88262	1/4 Lock Washer
88103	3/8NC Nut	88362	3/8 Lock Washer
88104	1/2NC Nut	88303	1/2 Lock Washer
88126	5/8NC Nut	88129	5/8 Lock Washer
88110	3/4NC Nut	88130	3/4 Lock Washer
88371	7/8NC Nut	88341	7/8 Lock Washer

Note: Standard nuts and lock washers are not called out. Anything other than standard will be called out.

XL² 7', 9' 4", & 11'8" WING

11'8" WING SHOWN



700404

ITEM	PART NO	DESCRIPTION
1	241856	7' WING RIGHT
	241857	7' WING LEFT
	241864	9'4" WING RIGHT
	241865	9'4" WING LEFT
	240814	11'8" WING RIGHT
2	240815	11'8" WING LEFT (SHOWN)
	241861	7' WING FRONT RIGHT
	241862	7' WING FRONT LEFT
	241866	9'4" WING FRONT RIGHT
	241867	9'4" WING FRONT LEFT
3	240816	11'8" WING RIGHT
	240817	11'8" WING LEFT (SHOWN)
	88507	1/2"NCx3-1/2" GR5 BOLT
	68021	6-1/2" SHANK STUB
	221261	10.8 MAST ANCHOR
89165	3/4"NCx13" GR5 BOLT	
34132	AXLE CLAMP ASSY	
89075	1"NC NYLON LOCK NUT	
48890	ADJUSTMENT ROD	
68034	PIN (1-1/4"x3-3/8")	
42484	ROLL PIN 1/4"x2-1/4"	
67709	WING ADJUST ARM	

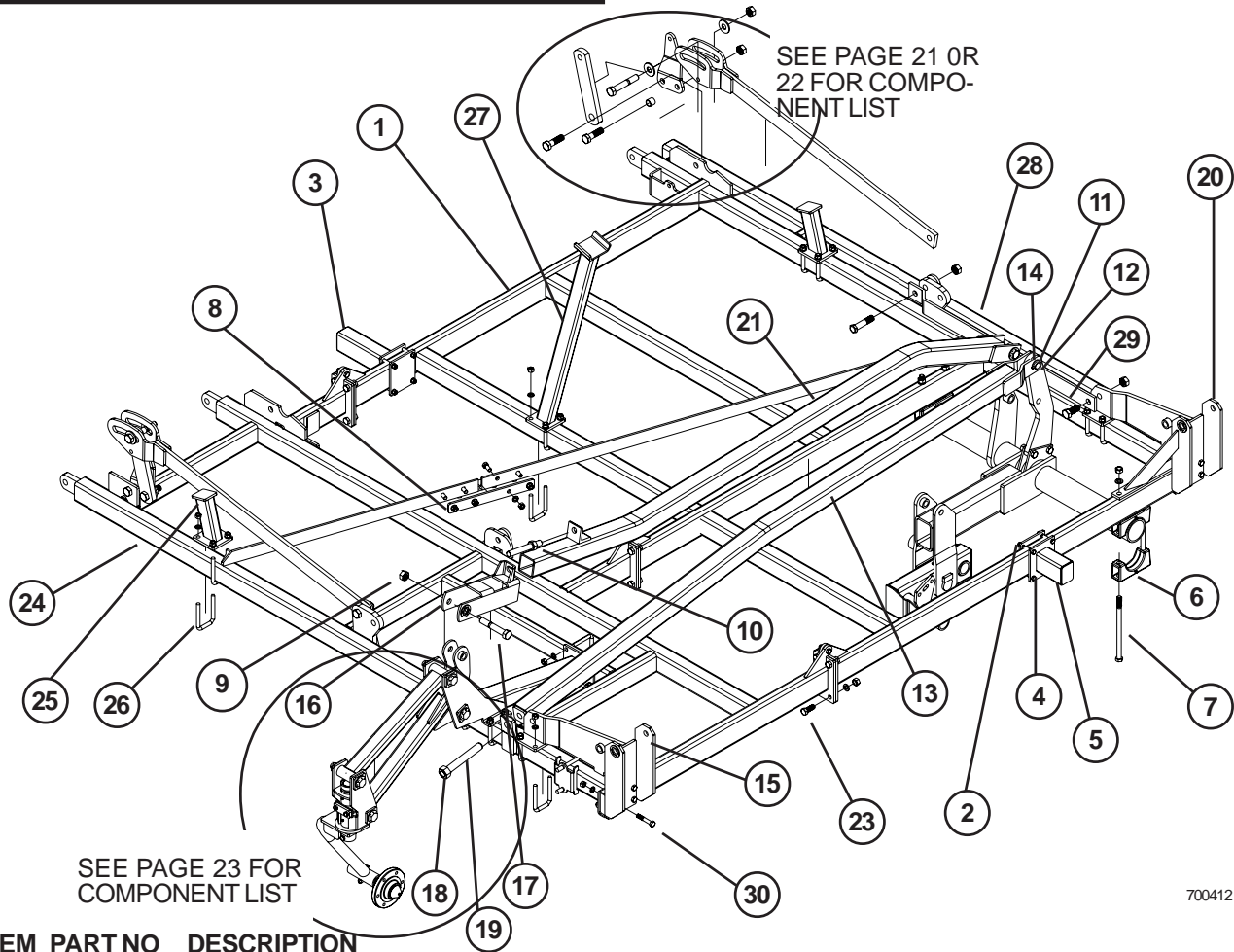
ITEM	PART NO	DESCRIPTION
13	88440	MACHINERY BUSHING (1-1/4"x1-7/8"x14 GA.)
14	221714	PIN 1"x3-7/8"
15	220843	GAUGE TUBE ADJUST BRKT
16	88670	1"NCx5-1/2" GR5 BOLT
17	69799	ADJUSTER ROD (9.5)
18	88622	1-1/4"NC JAM NUT
19	88196	1" FLAT WASHER
20	220776	XL ² WING TUBE 130"
21	88290	3/4"NCx2" GR8 BOLT
22	88503	5/8"NCx3"x5-1/4" U-BOLT
23	88388	5/8"NCx4"x3-1/4" U-BOLT
24	88577	5/8"NCx1-1/2" GR5 BOLT
25	241810	PLATE (2)

Standard Nuts and Lock Washers

88172	1/4NC Nut	88262	1/4 Lock Washer
88103	3/8NC Nut	88362	3/8 Lock Washer
88104	1/2NC Nut	88303	1/2 Lock Washer
88126	5/8NC Nut	88129	5/8 Lock Washer
88110	3/4NC Nut	88130	3/4 Lock Washer
88371	7/8NC Nut	88341	7/8 Lock Washer

Note: Standard nuts and lock washers are not called out. Anything other than standard will be called out.

XL² 5 SECTION INNER WING



700412

ITEM	PART NO	DESCRIPTION
1	240820	11'8" WING RIGHT
	240821	11'8" WING LEFT (SHOWN)
2	65688	BOLT PLATE
3	68020	12-1/2" SHANK STUB
4	88507	1/2"NCx3-1/2" GR5 BOLT
5	68021	6-1/2" SHANK STUB
6	34132	AXLE CLAMP ASSY
7	89165	3/4"NCx13" GR5 BOLT
8	241810	PLATE
9	89075	1"NC NYLON LOCK NUT
10	48890	ADJUSTMENT ROD
11	68034	PIN (1-1/4"x3-3/8")
12	42484	SPIROL PIN 1/4"x2-1/4"
13	67709	WING ADJUST ARM
14	88440	MACHINERY BUSHING (1-1/4"x1-7/8"x14 GA.)
15	221067	XL ² 5SEC HINGE ASSY RH FRONT
	221068	XL ² 5SEC HINGE ASSY LH FRONT
16	220843	GAUGE TUBE ADJUST BRACKET
17	88264	1"NCx6" GR5 BOLT
18	69799	ADJUSTER ROD (9.5)
19	88622	1-1/4"NC JAM NUT
20	221498	XL ² 5SEC HINGE ASSY RH REAR
	221499	XL ² 5SEC HINGE ASSY LH REAR
21	220776	XL ² WING TUBE 130"

ITEM	PART NO	DESCRIPTION
23	88290	3/4"NCx2" GR8 BOLT
24	240822	5SEC FRONT WING BAR - RH
	240823	5SEC FRONT WING BAR - LH
25	221358	(4.53") WING FOLD STUB
26	88503	5/8"NCx3"x5-1/4" U-BOLT
27	221356	XL ² 5SEC OUTER WING REST
28	221693	ANCHOR STRAP
29	88293	1"NC X 2-1/2" GR5 BOLT
30	88292	5/8"NC X 3-1/2" GR5 BOLT

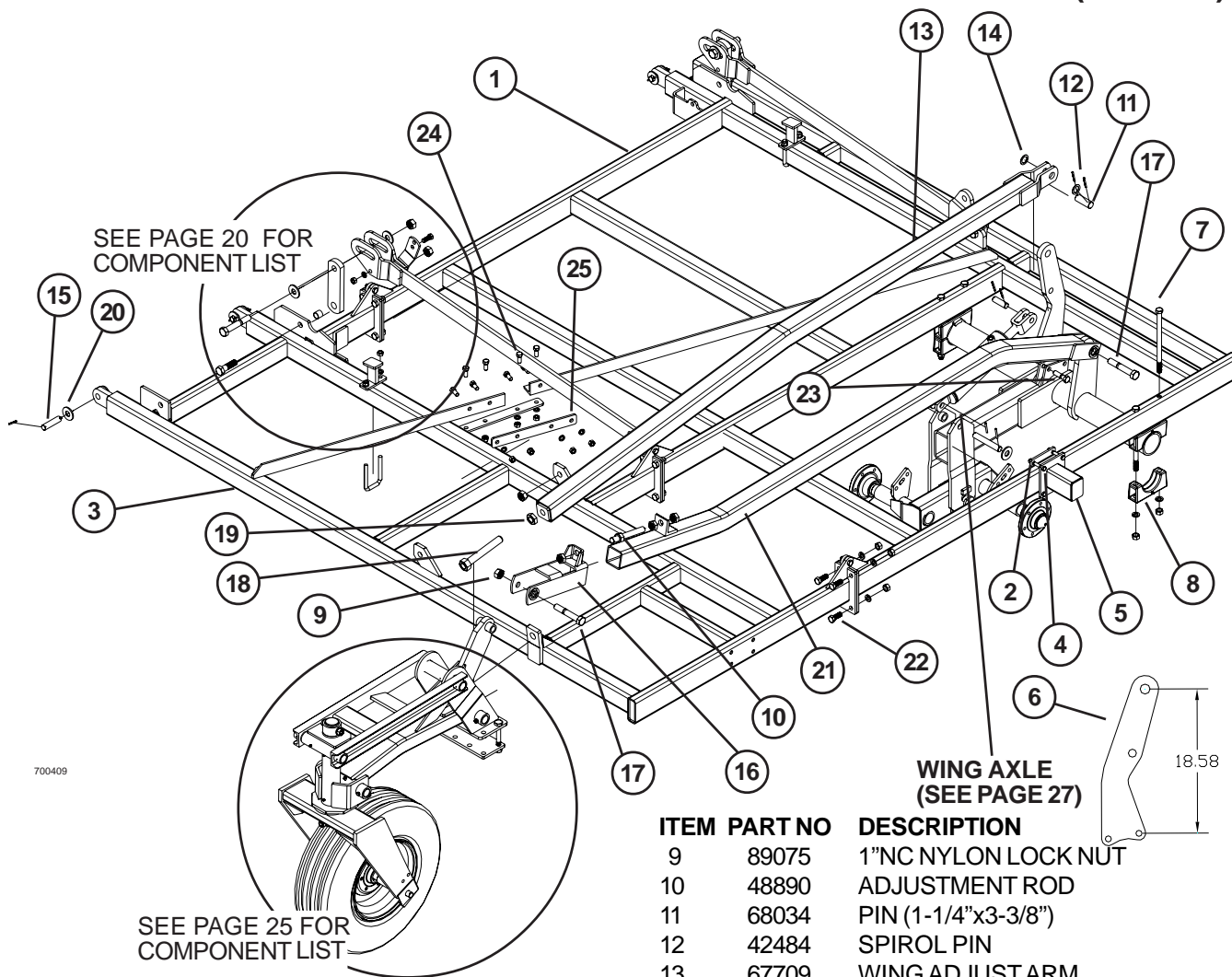
Standard Nuts and Lock Washers

88172	1/4NC Nut	88262	1/4 Lock Washer
88103	3/8NC Nut	88362	3/8 Lock Washer
88104	1/2NC Nut	88303	1/2 Lock Washer
88126	5/8NC Nut	88129	5/8 Lock Washer
88110	3/4NC Nut	88130	3/4 Lock Washer
88371	7/8NC Nut	88341	7/8 Lock Washer

Note: Standard nuts and lock washers are not called out. Anything other than standard will be called out.

QX² 7', 9' 4" & 11'8" WING

11'8" LEFT WING (SHOWN)



700409

ITEM	PART NO	DESCRIPTION
1	241856	7' WING RIGHT
	241857	7' WING LEFT
	241864	9'4" WING RIGHT
	241865	9'4" WING LEFT
	240814	11'8" WING RIGHT
	240815	11'8" WING LEFT (SHOWN)
	2	65688
3	241861	7' WING RIGHT
	241862	7' WING LEFT
4	241866	9'4" WING RIGHT
	241867	9'4" WING LEFT
5	240816	11'8" WING RIGHT
	240817	11'8" WING LEFT (SHOWN)
4	88507	1/2"NCx3-1/2" GR5 BOLT
5	68021	6-1/2" SHANK STUB
6	221261	MAST ANCHOR FOR 108 CYL
7	89165	3/4"NCx13" GR5 BOLT
8	34132	AXLE CLAMP ASSY

ITEM	PART NO	DESCRIPTION
9	89075	1"NC NYLON LOCK NUT
10	48890	ADJUSTMENT ROD
11	68034	PIN (1-1/4"x3-3/8")
12	42484	SPIROL PIN
13	67709	WING ADJUST ARM
14	88440	MACHINERY BUSHING (1-1/4"x1-7/8"x14 GA.)
15	221714	PIN 1"x3-7/8"
16	220843	GAUGE TUBE ADJUST BRACKET
17	88264	1"NCx6" GR5 BOLT
18	69799	ADJUSTER ROD (9.5)
19	88622	1-1/4"NC JAM NUT
20	88196	1" FLAT WASHER
21	221504	QUADX WING TUBE 121"
22	88290	3/4"NCx2" GR8 BOLT
23	88841	3/4"NC x 2-3/4" GR5 BOLT
24	88577	5/8"NCx1-1/2" GR5 BOLT
25	241810	PLATE

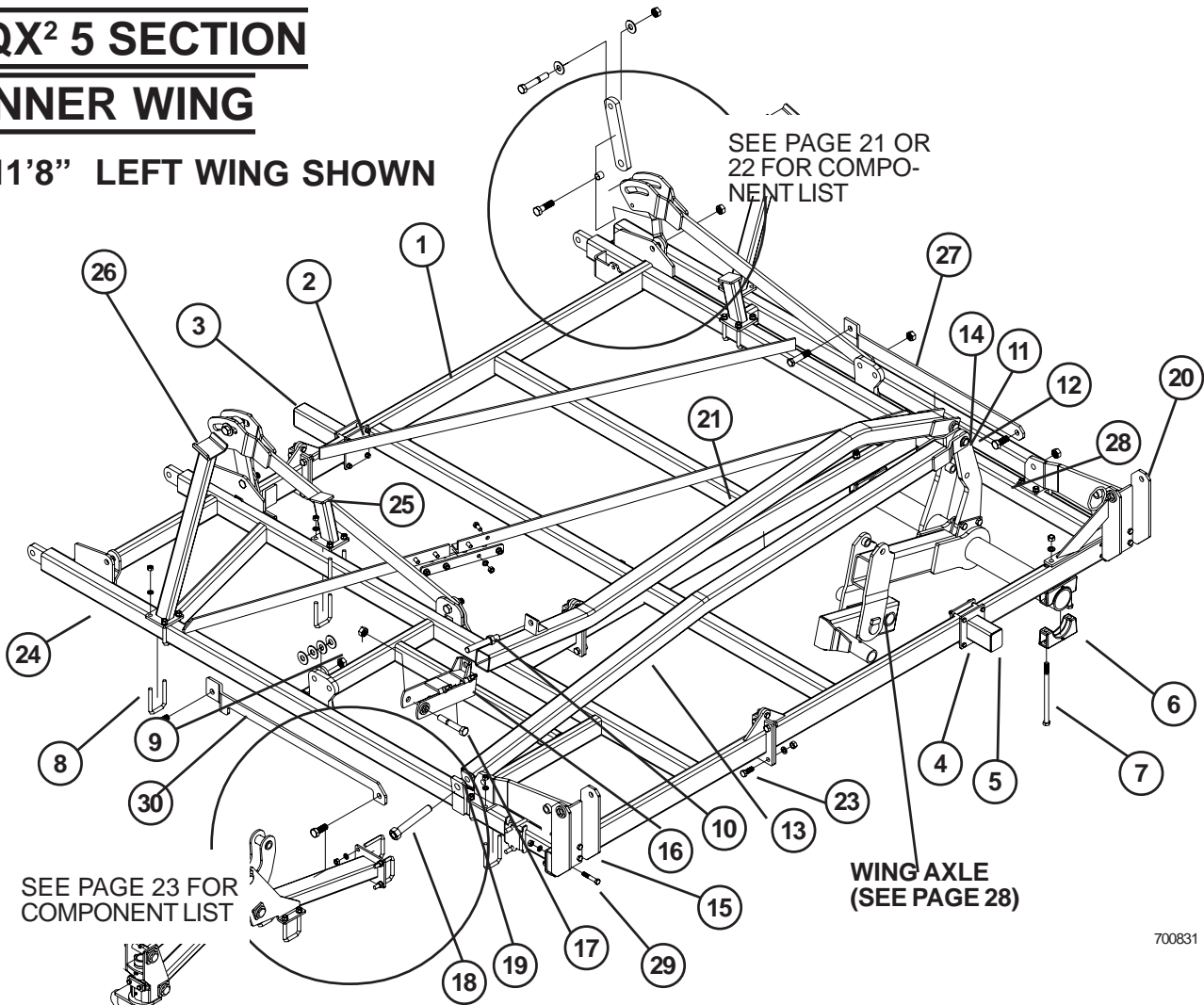
Standard Nuts and Lock Washers

88172	1/4NC Nut	88262	1/4 Lock Washer
88103	3/8NC Nut	88362	3/8 Lock Washer
88104	1/2NC Nut	88303	1/2 Lock Washer
88126	5/8NC Nut	88129	5/8 Lock Washer
88110	3/4NC Nut	88130	3/4 Lock Washer
88371	7/8NC Nut	88341	7/8 Lock Washer

Note: Standard nuts and lock washers are not called out. Anything other than standard will be called out.

QX² 5 SECTION INNER WING

11'8" LEFT WING SHOWN



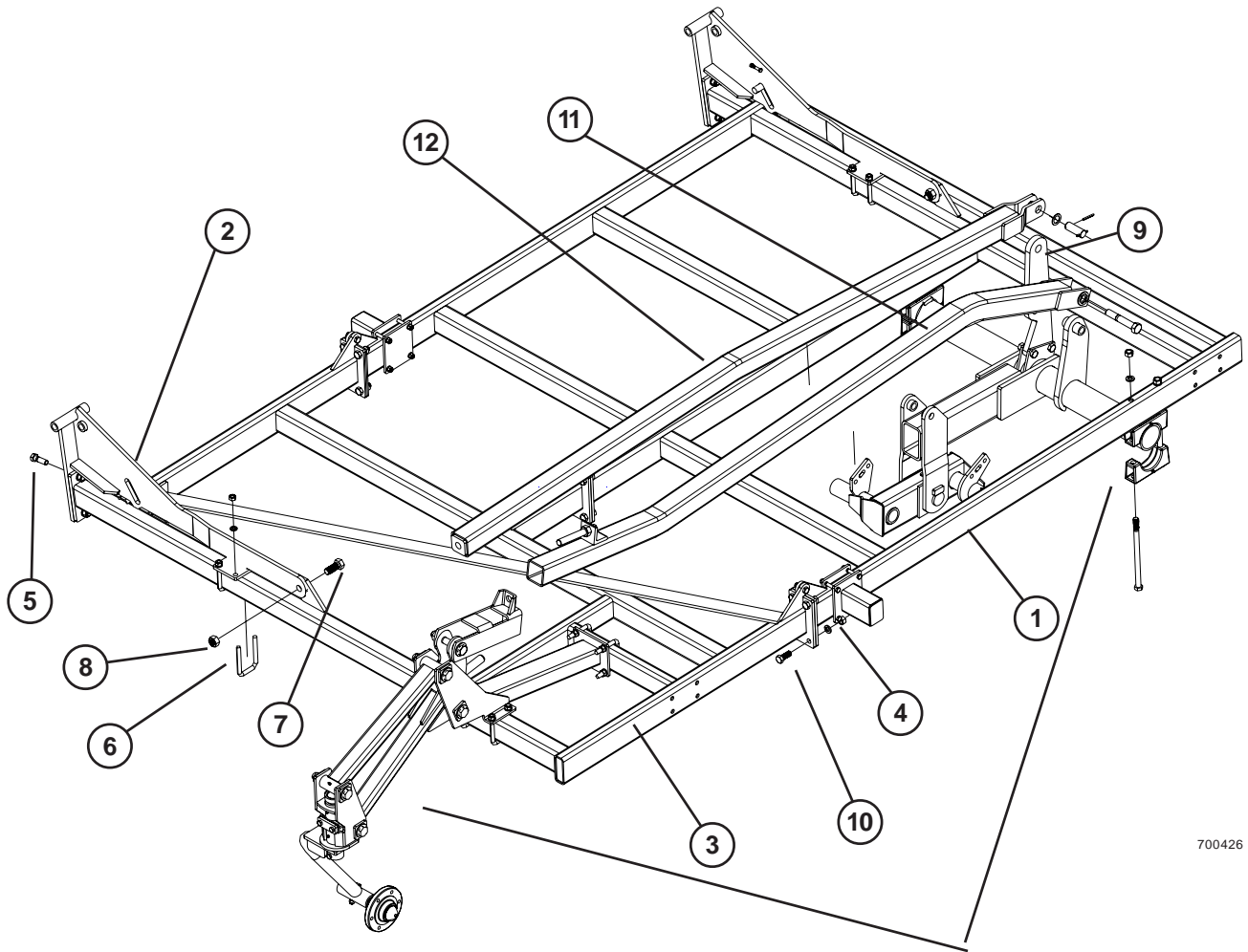
700831

ITEM	PART NO	DESCRIPTION	ITEM	PART NO	DESCRIPTION	
1	240820	11'8" WING RIGHT	18	69799	ADJUSTER ROD (9.5)	
	240821	11'8" WING LEFT (SHOWN)	19	88622	1-1/4"NC JAM NUT	
2	65688	BOLT PLATE	20	221498	5SEC HINGE ASSY RH REAR	
3	68020	12-1/2" SHANK STUB		221499	5SEC HINGE ASSY LH REAR	
4	88507	1/2"NCx3-1/2" GR5 BOLT	21	220776	5-SEC WING TUBE 130"	
5	68021	6-1/2" SHANK STUB	22	88125	1"NC NUT	
6	34132	AXLE CLAMP ASSY	23	88290	3/4"NCx2" GR8 BOLT	
7	89165	3/4"NCx13" GR5 BOLT	24	240822	5SEC 11'8" FRONT WING BAR -RH	
8	88503	5/8"NCx3"x5-1/4" U-BOLT		240823	5SEC 11'8" FRONT WING BAR - LH	
9	89075	1"NC NYLON LOCK NUT	25	221358	5 SEC INNER WING STOP	
10	48890	ADJUSTMENT ROD	26	221356	5SEC OUTER WING REST	
11	68034	PIN (1-1/4"x3-3/8")	27	221693	ANCHOR STRAP	
12	42484	SPIROL PIN	28	88293	1"NC X 2-1/2" GR5 BOLT	
13	67709	WING ADJUST ARM	29	88292	5/8"NC X 3-1/2" GR5 BOLT	
14	88440	MACHINERY BUSHING (1-1/4"x1-7/8"x14 GA.)	30	350605	ANCHOR STRAP LH (SHOWN)	
15	221067	5SEC HINGE ASSY RH FRONT		350611	ANCHOR STRAP RH	
	221068	5SEC HINGE ASSY LH FRONT	Standard Nuts and Lock Washers			
16	220843	GAUGE TUBE ADJUST BRACKET	88172	1/4NC Nut	88262	1/4 Lock Washer
17	88264	1"NCx6" GR5 BOLT	88103	3/8NC Nut	88362	3/8 Lock Washer
			88104	1/2NC Nut	88303	1/2 Lock Washer
			88126	5/8NC Nut	88129	5/8 Lock Washer
			88110	3/4NC Nut	88130	3/4 Lock Washer
			88371	7/8NC Nut	88341	7/8 Lock Washer

Note: Standard nuts and lock washers are not called out. Anything other than standard will be called out.

QX²/XL² 7' OR 9'4" OUTER WING

(RIGHT 9'4" SHOWN)



700426

ITEM	PART NO	DESCRIPTION
1	241888	7' WING RIGHT
	241889	7' WING LEFT
	241891	9'4" WING RIGHT
	241892	9'4" WING LEFT (SHOWN)
2	222848	5SEC XL/QX OUTER HINGE - L
	222849	5SEC XL/QX OUTER HINGE - R
3	241898	7' WING FRONT RIGHT
	241899	7' WING FRONT LEFT
	241894	9'4' WING FRONT RIGHT
	241895	9'4" WING FRONT LEFT (SHOWN)
4	88507	1/2"NCx3-1/2" GR5 BOLT
5	88404	3/4"NCx2-1/2" GR5 BOLT
6	88503	5/8"NCx3"x5-1/4" U-BOLT
7	88393	1"NCx2-1/2" GR5 BOLT
8	89075	1"NC NYLON LOCK NUT
9	221260	9.3" MAST ANCHOR
10	88290	3/4" NCx2" GR8 BOLT
11	220776	5-SEC WING TUBE 130"
12	67709	WING ADJUST ARM

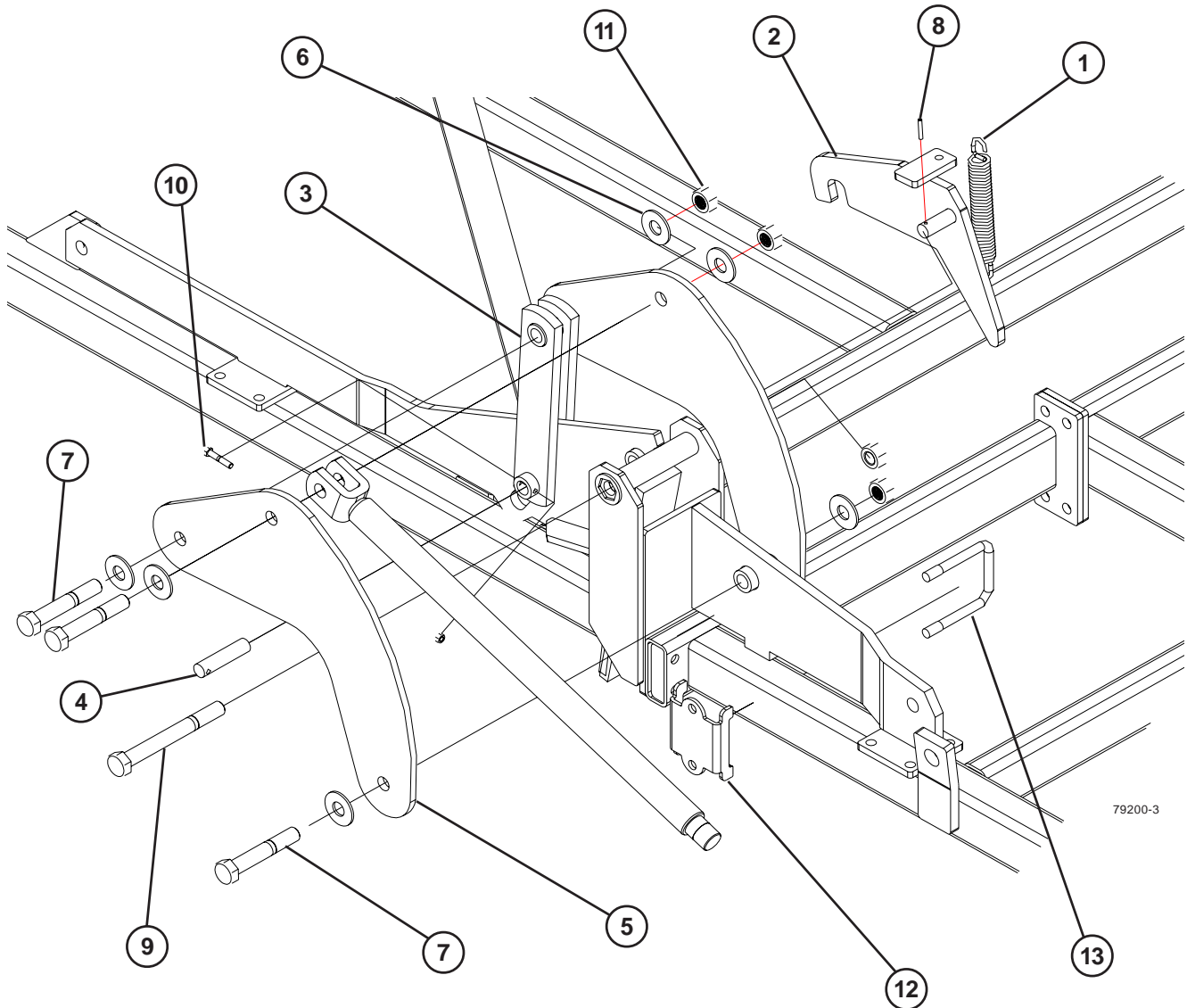
GAUGEWHEEL & AXLE COMPONENTS ARE SAME AS 5 SECTION 11'8" WING, PAGE 14

Standard Nuts and Lock Washers

88172	1/4NC Nut	88262	1/4 Lock Washer
88103	3/8NC Nut	88362	3/8 Lock Washer
88104	1/2NC Nut	88303	1/2 Lock Washer
88126	5/8NC Nut	88129	5/8 Lock Washer
88110	3/4NC Nut	88130	3/4 Lock Washer
88371	7/8NC Nut	88341	7/8 Lock Washer

Note: Standard nuts and lock washers are not called out. Anything other than standard will be called out.

QX²/XL² 5 SECTION OUTER WING HINGE



79200-3

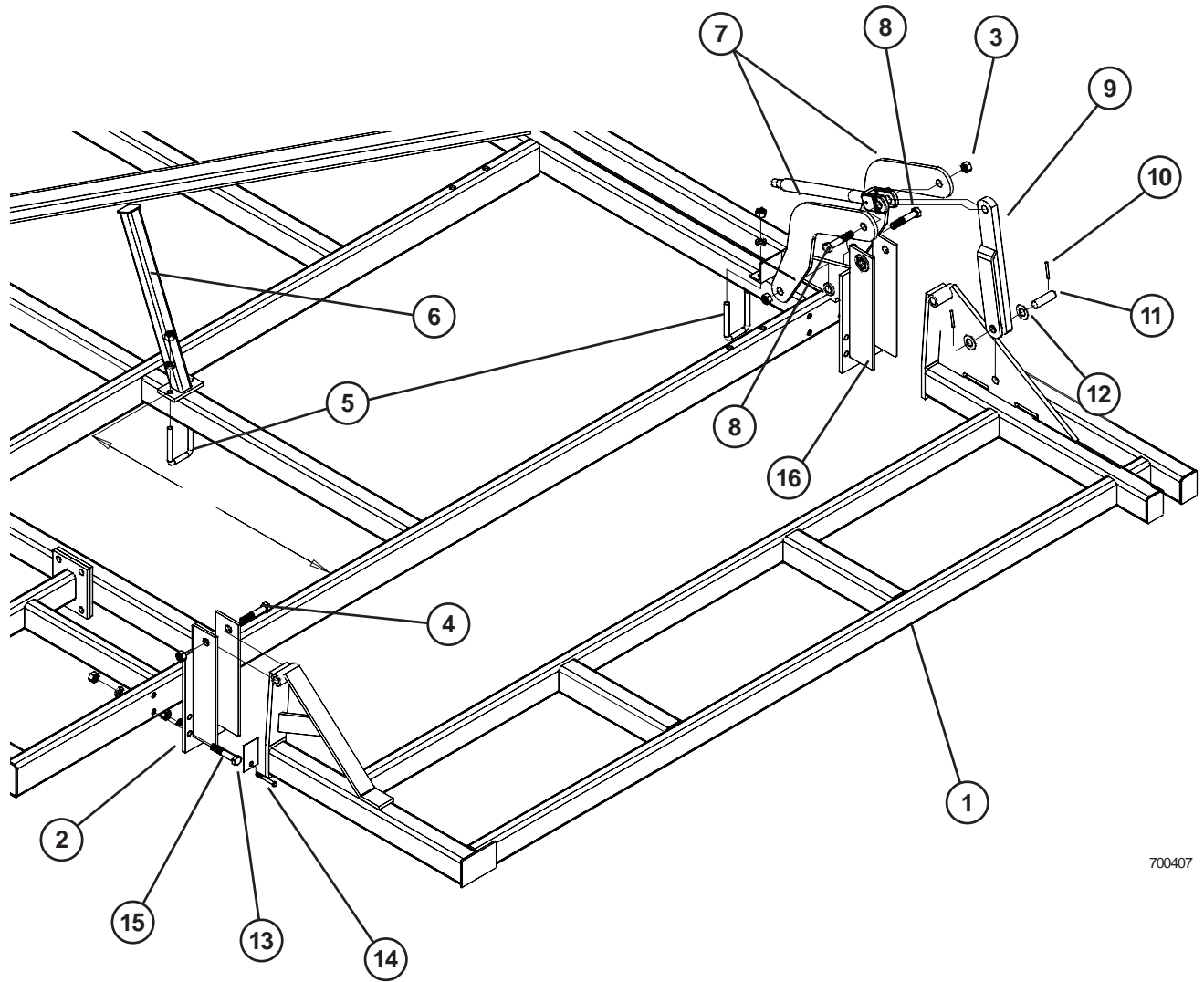
ITEM	PART NO	DESCRIPTION
1	25863	SPRING(1-1/2"x9-1/2")
2	221695	5SEC OUTER WING LATCH - RH (SHOWN)
	221696	5SEC OUTER WING LATCH - LH
3	221189	5SEC OUTER WING LINK
4	221692	PIN (1"ODx4-1/4")
5	221190	WING ARM
6	88196	1" FLAT WASHER
7	88264	1"NCx6" GR5 BOLT
8	42484	1/4"x2-1/4" SPIROL PIN
9	88901	1"NCx9-1/2" GR5 BOLT
10	89011	3/8"NCx2" GR5 BOLT
11	89075	1"NYLON LOCK NUT
12	236400	SHANK SPACER
13	45633	5/8"NCX4"X5-1/2" U-BOLT

Standard Nuts and Lock Washers

88172	1/4NC Nut	88262	1/4 Lock Washer
88103	3/8NC Nut	88362	3/8 Lock Washer
88104	1/2NC Nut	88303	1/2 Lock Washer
88126	5/8NC Nut	88129	5/8 Lock Washer
88110	3/4NC Nut	88130	3/4 Lock Washer
88371	7/8NC Nut	88341	7/8 Lock Washer

Note: Standard nuts and lock washers are not called out. Anything other than standard will be called out.

3' OUTER WING



700407

ITEM	PART NO	DESCRIPTION
1	241882	3' OUTER WING - RH
	241883	3' OUTER WING - LH (SHOWN)
2	67932	WING HINGE
3	89075	1"NC NYLON TOPLOCK NUT
4	88264	1"NCx6" GR5 BOLT
5	88503	5/8"NCx3"x5-1/4" U-BOLT
6	68066	OUTER WING REST
7	67934	PLATE
8	88312	1"NCx5" GR5 BOLT
9	67903	LINKAGE ARM

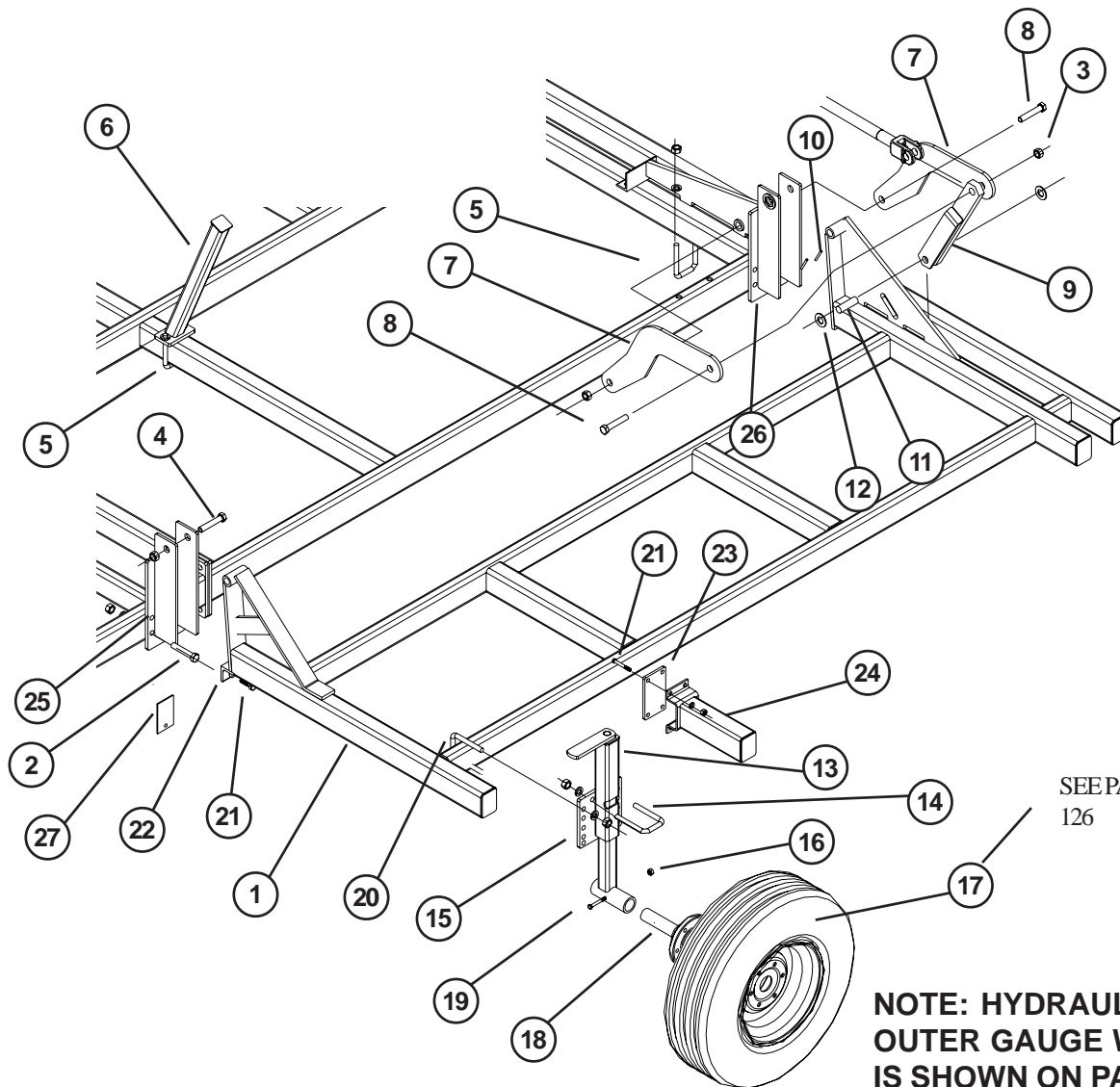
ITEM	PART NO	DESCRIPTION
10	42484	SPIROL PIN (1/4 X 2-1/4)
11	42473	PIN (1"x3-1/4")
12	88196	1" FLAT WASHER
13	51469	SHIM
14	88475	1/2"NCx1-1/2" GR5 BOLT
15	88292	5/8"NCx3-1/2" GR5 BOLT
16	68023	WING HINGE RIGHT
	68024	WING HINGE LEFT (SHOWN)

Standard Nuts and Lock Washers

88172	1/4NC Nut	88262	1/4 Lock Washer
88103	3/8NC Nut	88362	3/8 Lock Washer
88104	1/2NC Nut	88303	1/2 Lock Washer
88126	5/8NC Nut	88129	5/8 Lock Washer
88110	3/4NC Nut	88130	3/4 Lock Washer
88371	7/8NC Nut	88341	7/8 Lock Washer

Note: Standard nuts and lock washers are not called out. Anything other than standard will be called out.

5' FLOATING OUTER WING W/GAUGE WHEEL

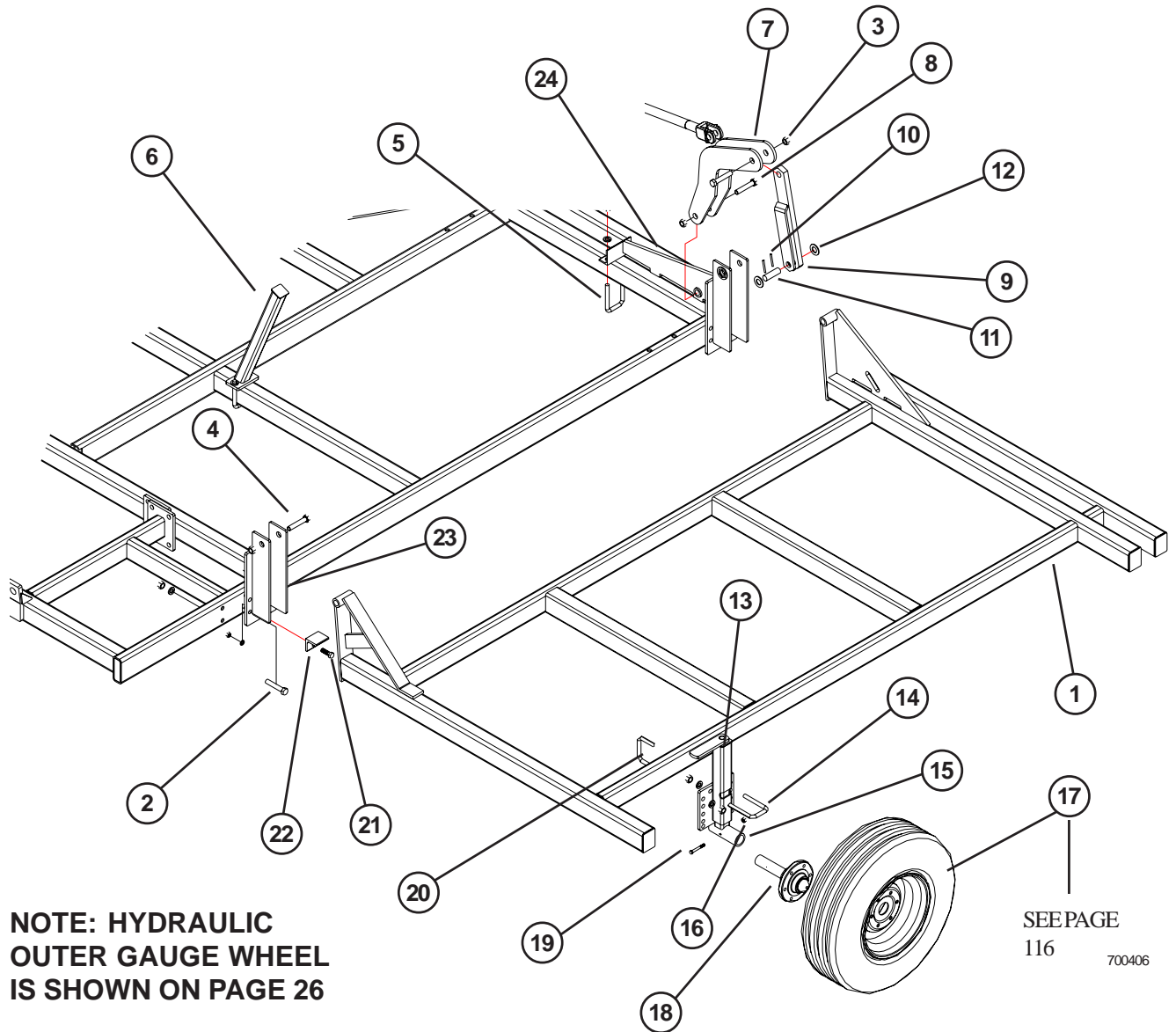


SEE PAGE 700405
126

**NOTE: HYDRAULIC
OUTER GAUGE WHEEL
IS SHOWN ON PAGE 26**

ITEM	PART NO	DESCRIPTION	ITEM	PART NO	DESCRIPTION
1	241884	5' OUTER WING - RH	17	16290	95Lx15 6 BLT 8PLY WHL ASSY
	241885	5' OUTER WING - LH (SHOWN)		10498	15x8 WHEEL RIM
2	88292	5/8"NCx3-1/2" GR5 BOLT		16287	95Lx15 8PLY TUBELESS TIRE
3	89075	1"NC NYLON TOPLOCK NUT		30784	VALVE STEM
4	88264	1"NCx6" GR5 BOLT	18	41234	6-BOLT HUB & SPINDLE (1-3/4")
5	88503	5/8"NCx3"x5-1/4" U-BOLT	19	88313	1/2"NFx3" GR5 BOLT
6	68066	OUTER WING REST	20	88388	5/8"NCx4"x3-1/4" U-BOLT
7	67934	PLATE	21	88475	1/2"NCx1-1/2" GR5 BOLT
8	88312	1"NCx5" GR5 BOLT	22	222156	WING STOP FOLD
9	67903	LINKAGE ARM	23	26817	BACKING PLATE
10	42484	SPIROL PIN (1/4" X 2-1/4")	24	49025	12" SADDLE STUB
11	42473	PIN (1"x3-1/4")	25	67932	WING HINGE
12	88196	1" FLAT WASHER	26	68023	WING HINGE RIGHT
13	15485	TOP ADJUSTMENT ASSEMBLY		68024	WING HINGE LEFT (SHOWN)
14	88311	5/8"NCx2-1/2"x3-3/4" U-BOLT	27	51469	SHIM
15	15475	GAUGE WHEEL LEG			
16	88304	1/2"NF LOCK NUT			

6' FLOATING OUTER WING W/GAUGE WHEEL



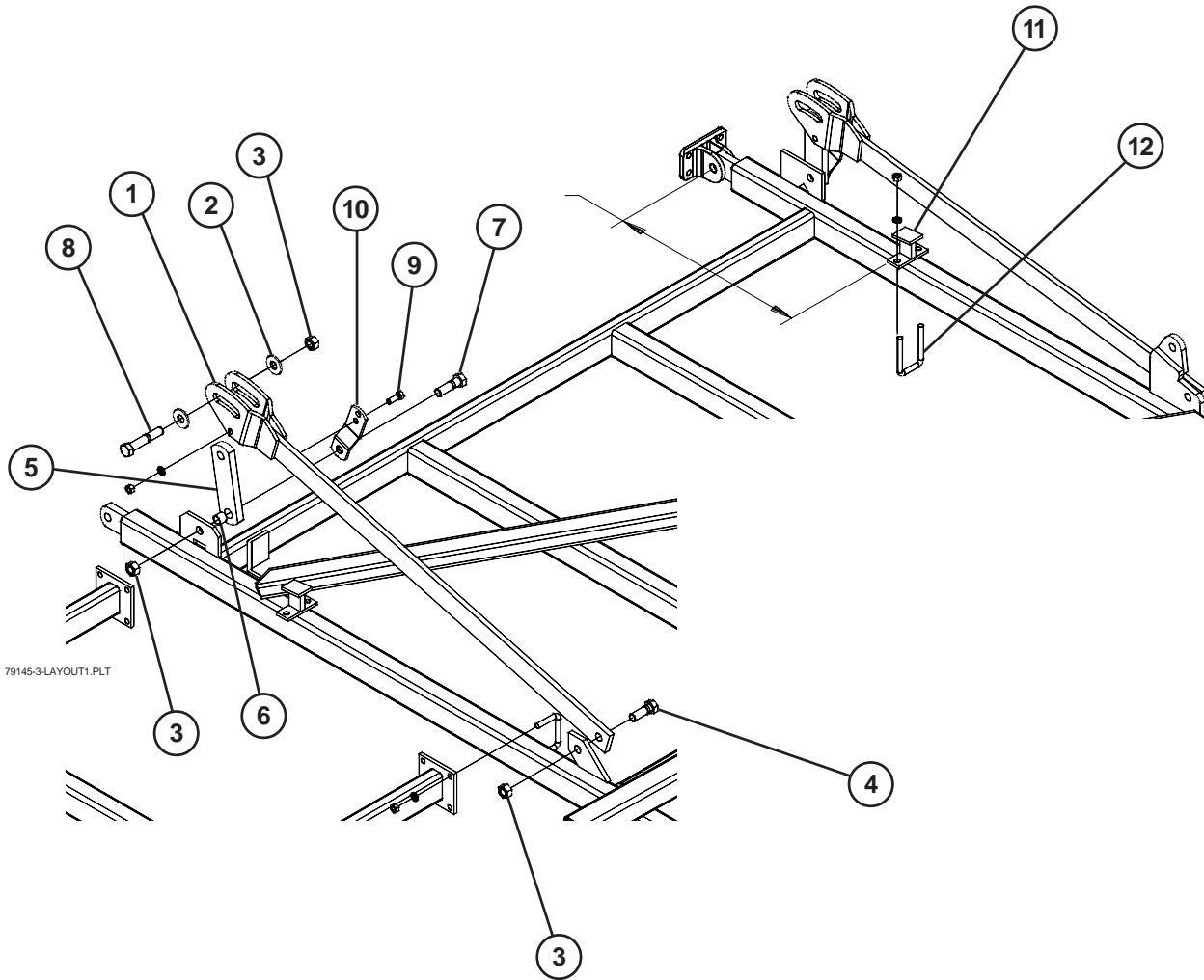
**NOTE: HYDRAULIC
OUTER GAUGE WHEEL
IS SHOWN ON PAGE 26**

SEE PAGE
116
700406

ITEM	PART NO	DESCRIPTION
1	241887	6' OUTER WING - RH
	241886	6' OUTER WING - LH (SHOWN)
2	88292	5/8"NCx3-1/2" GR5 BOLT
3	89075	1"NC NYLON TOPLOCK NUT
4	88264	1"NCx6" GR5 BOLT
5	88503	5/8"NCx3"x5-1/4" U-BOLT
6	68066	OUTER WING REST
7	67934	PLATE
8	88312	1"NCx5" GR5 BOLT
9	67903	LINKAGE ARM
10	42484	SPIROL PIN (1/4" X 2-1/4")
11	42473	PIN (1"x3-1/4")
12	88196	1" FLAT WASHER
13	15485	TOP ADJUSTMENT ASSEMBLY
14	88311	5/8"NCx2-1/2"x3-3/4" U-BOLT
15	15475	GAUGE WHEEL LEG
16	88304	1/2"NF LOCK NUT

ITEM	PART NO	DESCRIPTION
17	16290	95Lx15 6 BLT 8PLY WHL ASSY
	10498	15x8 WHEEL RIM
	16287	95Lx15 8PLY TUBELESS TIRE
	30784	VALVE STEM
18	41234	6-BOLT HUB & SPINDLE (1-3/4")
19	88313	1/2"NFx3" GR5 BOLT
20	88388	5/8"NCx4"x3-1/4" U-BOLT
21	88475	1/2"NCx1-1/2" GR5 BOLT
22	222156	WING STOP FOLD
23	67932	WING HINGE
24	68023	WING HINGE RIGHT
	68024	WING HINGE LEFT (SHOWN)

3-SECTION INNER WING LIFT COMPONENTS



79145-3-LAYOUT1.PLT

ITEM	PART NO	DESCRIPTION	ITEM	PART NO	DESCRIPTION
1	220870	LIFT LINK ARM(7' & 9'4" WING) - SHORT	8	88264	1"NCx6" GR5 BOLT
	222082	LIFT LINK ARM - LONG(11'8" WING)	9	88838	5/8"NCx1-3/4" GR5 BOLT
2	88196	1" FLAT WASHER	10	220871	WING LINK STRAP
3	89075	1"NC NYLON TOPLOCK NUT	11	220874	(4.53") WING FOLD STUB
4	88393	1"NCx2-1/2" GR5 BOLT		220875	(3.50") WING FOLD STUB
5	48522	WING LIFT LINK 8" C TO C"	12	88503	5/8"NCx3"x5-1/4" U-BOLT
	220867	WING LIFT LINK 9.31" C TO C"			
6	48523	WING LIFT BUSHING (1.032"ID x 1-1/4" OD x 1.06")			
7	88447	1"NCx3-1/2" GR5 BOLT			

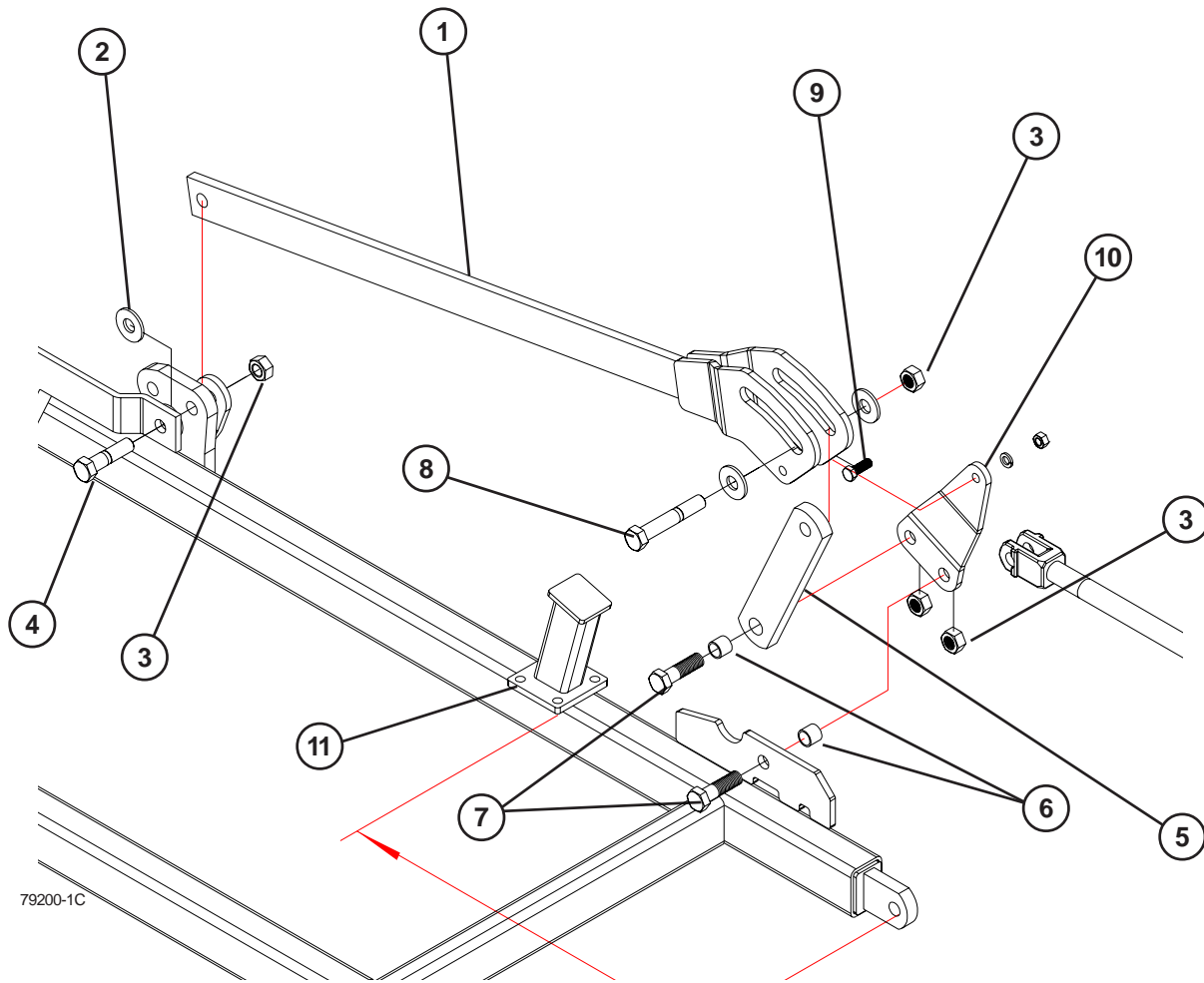
Standard Nuts and Lock Washers

88172	1/4NC Nut	88262	1/4 Lock Washer
88103	3/8NC Nut	88362	3/8 Lock Washer
88104	1/2NC Nut	88303	1/2 Lock Washer
88126	5/8NC Nut	88129	5/8 Lock Washer
88110	3/4NC Nut	88130	3/4 Lock Washer
88371	7/8NC Nut	88341	7/8 Lock Washer

Note: Standard nuts and lock washers are not called out. Anything other than standard will be called out.

5-SECTION INNER WING LIFT COMPONENTS

SERIAL #'S UP TO 458829



79200-1C

ITEM	PART NO	DESCRIPTION
1	233370	LIFT LINK ARM (5 SECTION)
2	88196	1" FLAT WASHER
3	89075	1"NC NYLON TOPLOCK NUT
4	88580	1"NCx4-1/2" GR5 BOLT
5	221267	WING LIFT LINK (5 SECTION)
6	48523	WING LIFT BUSHING (1.032"ID x 1-1/4" OD x 1.06")
7	88447	1"NCx3-1/2" GR5 BOLT

ITEM	PART NO	DESCRIPTION
8	88264	1"NCx6" GR5 BOLT
9	88838	5/8"NCx1-3/4" GR5 BOLT
10	233348	WING LINK STRAP (5 SECTION)
11	221358	INNER WING FOLD STOP (5 SECTION)

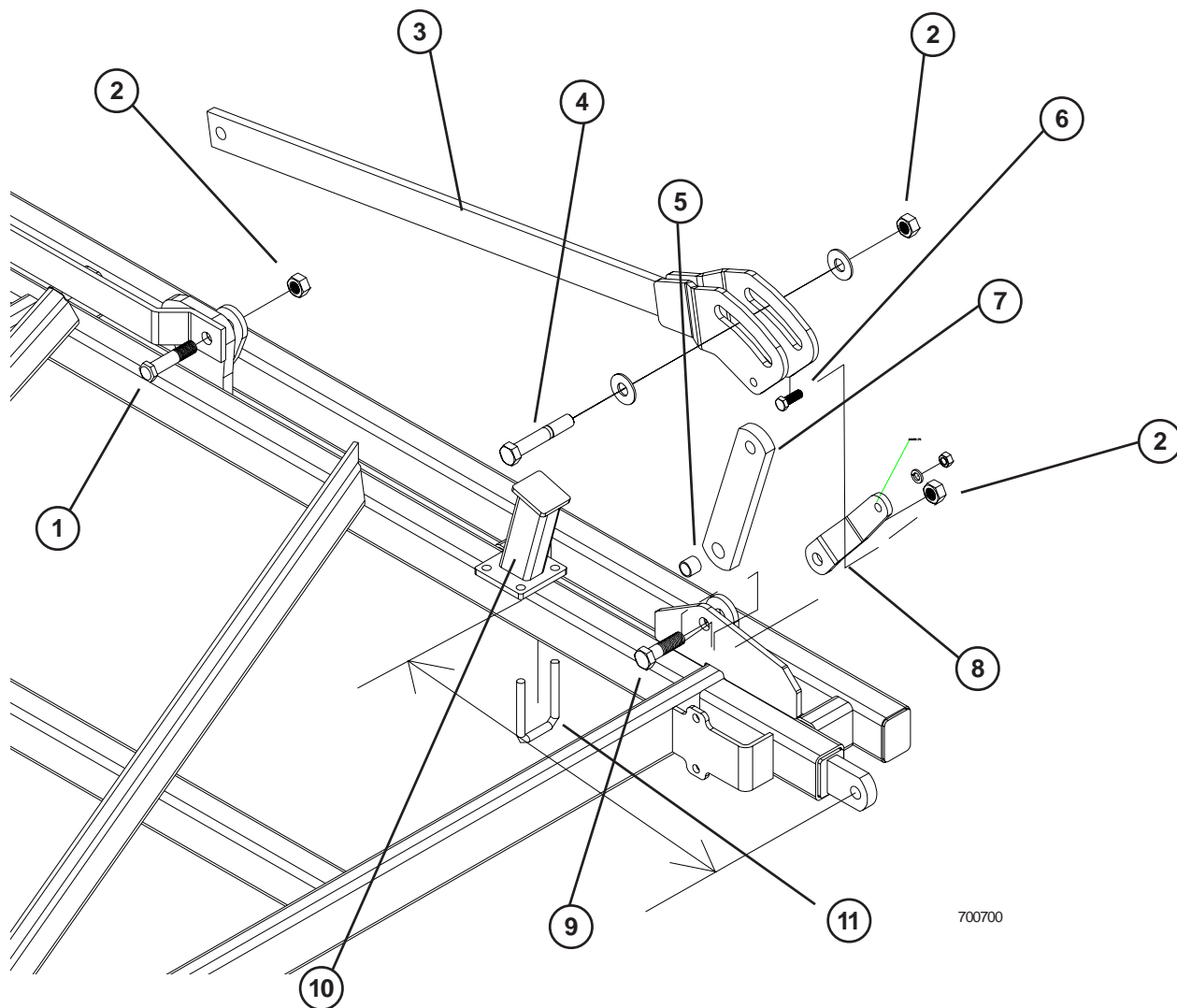
Standard Nuts and Lock Washers

88172	1/4NC Nut	88262	1/4 Lock Washer
88103	3/8NC Nut	88362	3/8 Lock Washer
88104	1/2NC Nut	88303	1/2 Lock Washer
88126	5/8NC Nut	88129	5/8 Lock Washer
88110	3/4NC Nut	88130	3/4 Lock Washer
88371	7/8NC Nut	88341	7/8 Lock Washer

Note: Standard nuts and lock washers are not called out. Anything other than standard will be called out.

5 SECTION INNER WING HINGE

SERIAL #'S 458830 AND UP

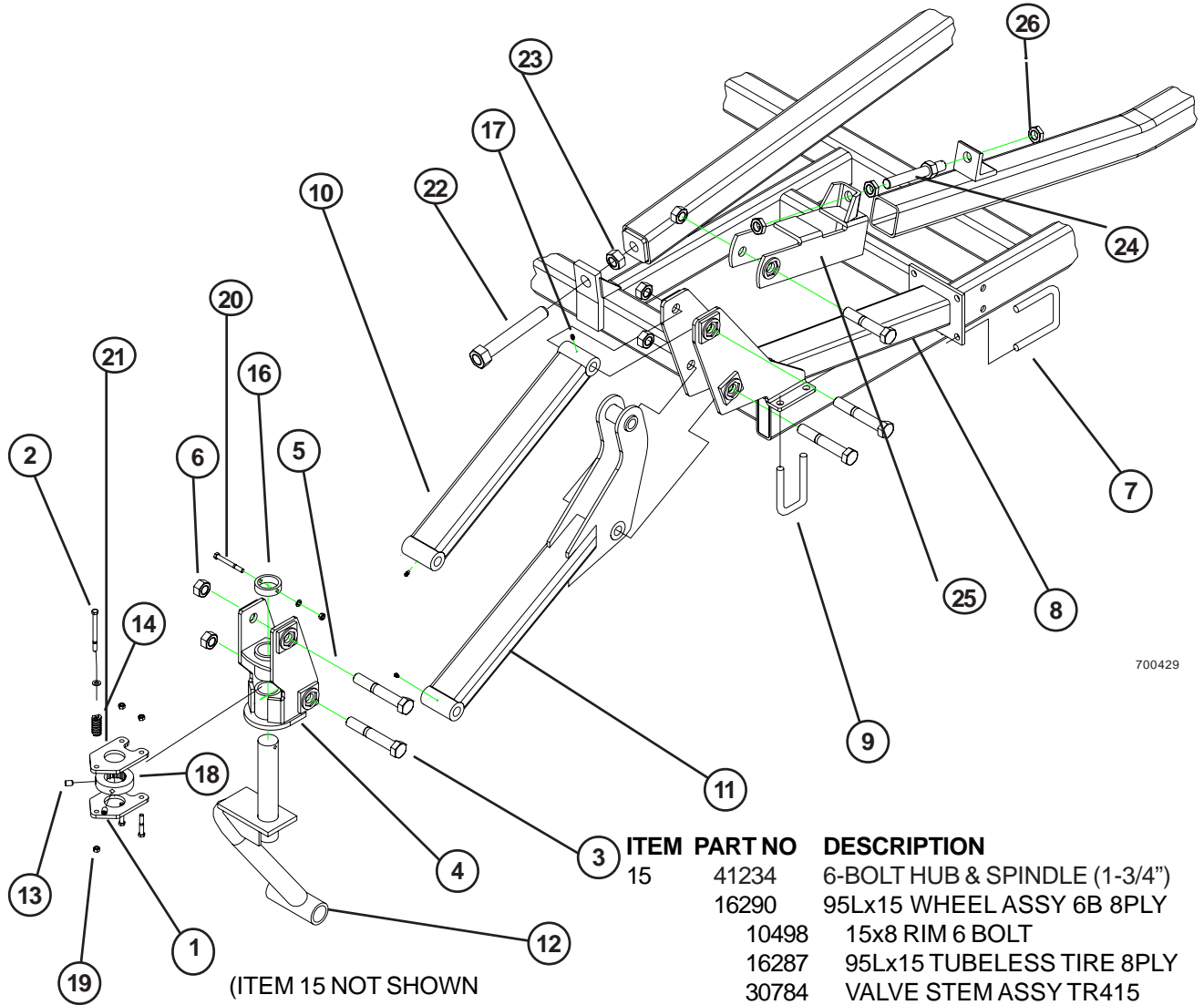


700700

ITEM	PART NO	DESCRIPTION
1	88580	1"NCx4-1/2' GR5 BOLT
2	89075	1"NC NYLON TOPLOCK NUT
3	233370	LINK LIFT ARM (63-1/8")
	242870	LINK LIFT ARM (34-1/4")
4	88264	1"NCx6" GR5 BOLT
5	48523	WING LIFT BUSHING (1.032"ID x 1-1/4" OD x 1.06"
6	88838	5/8NCx1-3/4 GR5 BOLT
7	221267	WING LIFT LINK

ITEM	PART NO	DESCRIPTION
8	245306	WING LINK STRAP
9	88447	1"NCx3-1/2 GR5 BOLT
10	221358	INNER WING FOLD STOP (5 SECTION)
11	88503	5/8 U-BOLT

PARALLEL LINK GAUGE WHEEL



700429

(ITEM 15 NOT SHOWN
SEE PAGE 29)

ITEM	PART NO	DESCRIPTION
1	242289	BREAK PLATE
2	89013	3/8"NCx4-1/2 GR5 BOLT
3	221336	1"NCx6-5/8" GR5 BOLT
4	220850	GAUGE WHEEL PIVOT BRACKET
5	88382	1/2"NCx4-1/2" GR5 BOLT
6	89075	1"NC NYLON TOPLOCK NUT
7	88388	5/8"NCx4"x3-1/4" U-BOLT
8	220853	GAUGE WHEEL MOUNT
9	88503	5/8"NCx3"x5-1/4" U-BOLT
10	221100	UPPER GAUGE WHEEL ARM
11	220840	LOWER GAUGE WHEEL ARM
12	240360	CASTER WHEEL LEG RED
13	88984	SET SCREW (1/2-13NC X 3/4)
14	242217	SPRING (1" DIA X 2" LONG)

ITEM	PART NO	DESCRIPTION
15	41234	6-BOLT HUB & SPINDLE (1-3/4")
	16290	95Lx15 WHEEL ASSY 6B 8PLY
	10498	15x8 RIM 6 BOLT
	16287	95Lx15 TUBELESS TIRE 8PLY
	30784	VALVE STEM ASSY TR415

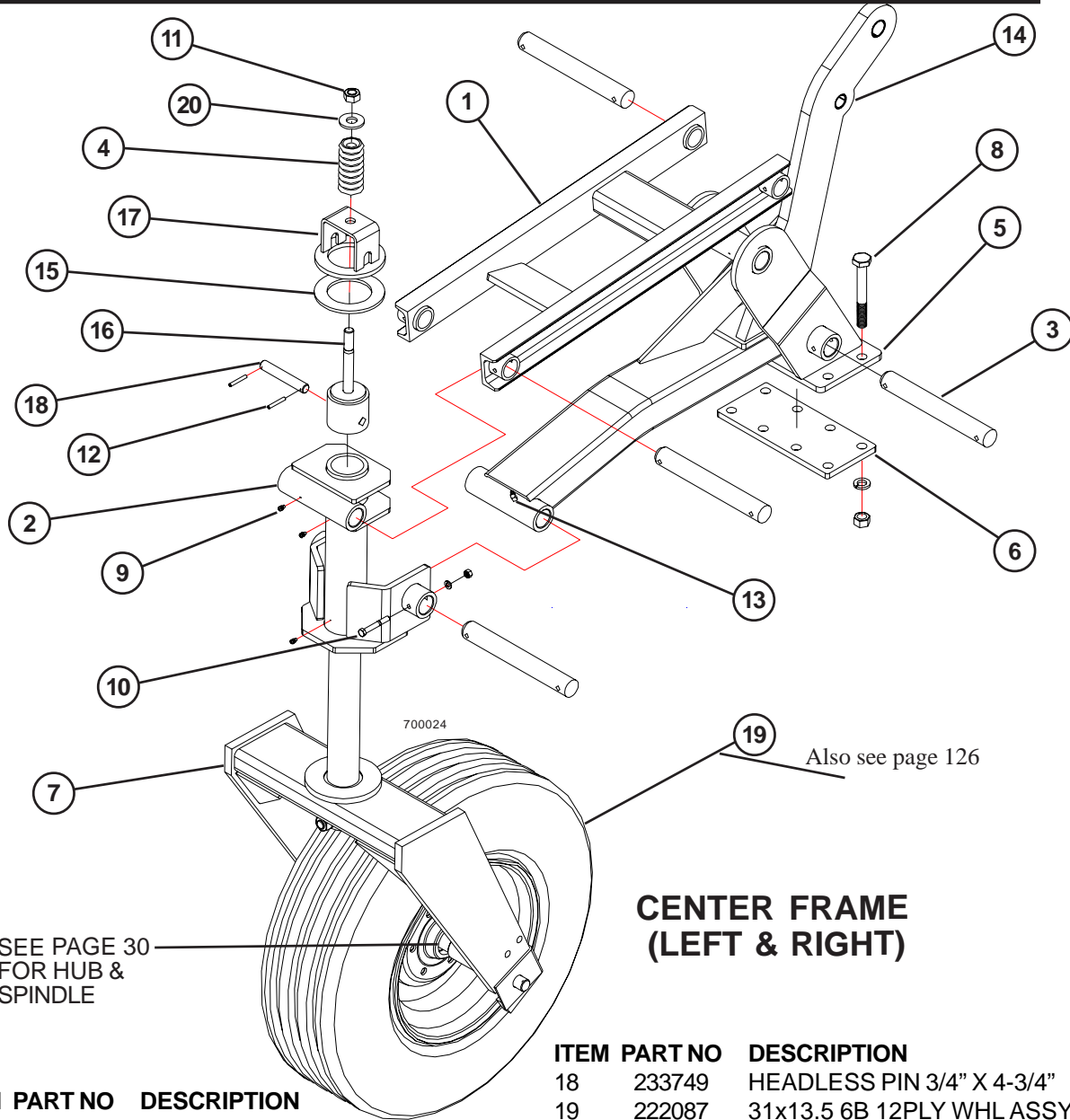
16	14189	STOP COLLAR
17	88550	1/4" GREASE FITTING
18	242443	INNER BREAK PLATE
19	88626	3/8NC NLK NUT
20	88531	3/8 NC X 3 GRD 5 BOLT
21	242216	BREAK ASSY
22	69799	ADJUSTMENT ROD
23	88622	JAM NUT
24	48890	ADJUSTMENT ROD
25	220843	GAUGE WHEEL ADJUST BRKT
26	88125	1" NC NUT

Standard Nuts and Lock Washers

88172	1/4NC Nut	88262	1/4 Lock Washer
88103	3/8NC Nut	88362	3/8 Lock Washer
88104	1/2NC Nut	88303	1/2 Lock Washer
88126	5/8NC Nut	88129	5/8 Lock Washer
88110	3/4NC Nut	88130	3/4 Lock Washer
88371	7/8NC Nut	88341	7/8 Lock Washer

Note: Standard nuts and lock washers are not called out. Anything other than standard will be called out.

QX² PARALLEL LINK GAUGE WHEEL (MAIN FRAME)



CENTER FRAME (LEFT & RIGHT)

ITEM	PART NO	DESCRIPTION
1	54559	TOP LINK ARM (8")
2	54571	GAUGE WHEEL PIVOT
3	54595	HEADLESS PIN 1-1/2"X9-19/32"
4	54834	4-1/2" COMPRESSION SPRING
5	55659	GAUGE WHEEL MAST
6	222353	LOWER MAST PLATE
7	58203	YOKE (18")
8	88293	3/4"NCx6" GR5 BOLT
9	88550	1/4"NF GREASE FITTING
10	88582	3/8"NCx2-3/4" GR5 BOLT
11	88611	3/4"NC NYLON TOPLOCK NUT
12	88628	ROLL PIN 1/4" X 1-3/4"
13	88778	1/4"NF 45° GREASE FITTING
14	233740	CENTER LIFT ARM - RIGHT
	233741	CENTER LIFT ARM - LEFT
15	233742	DAMPER BRAKE PAD
16	233746	DAMPER CAP
17	233748	TOP DAMPER BRACKET

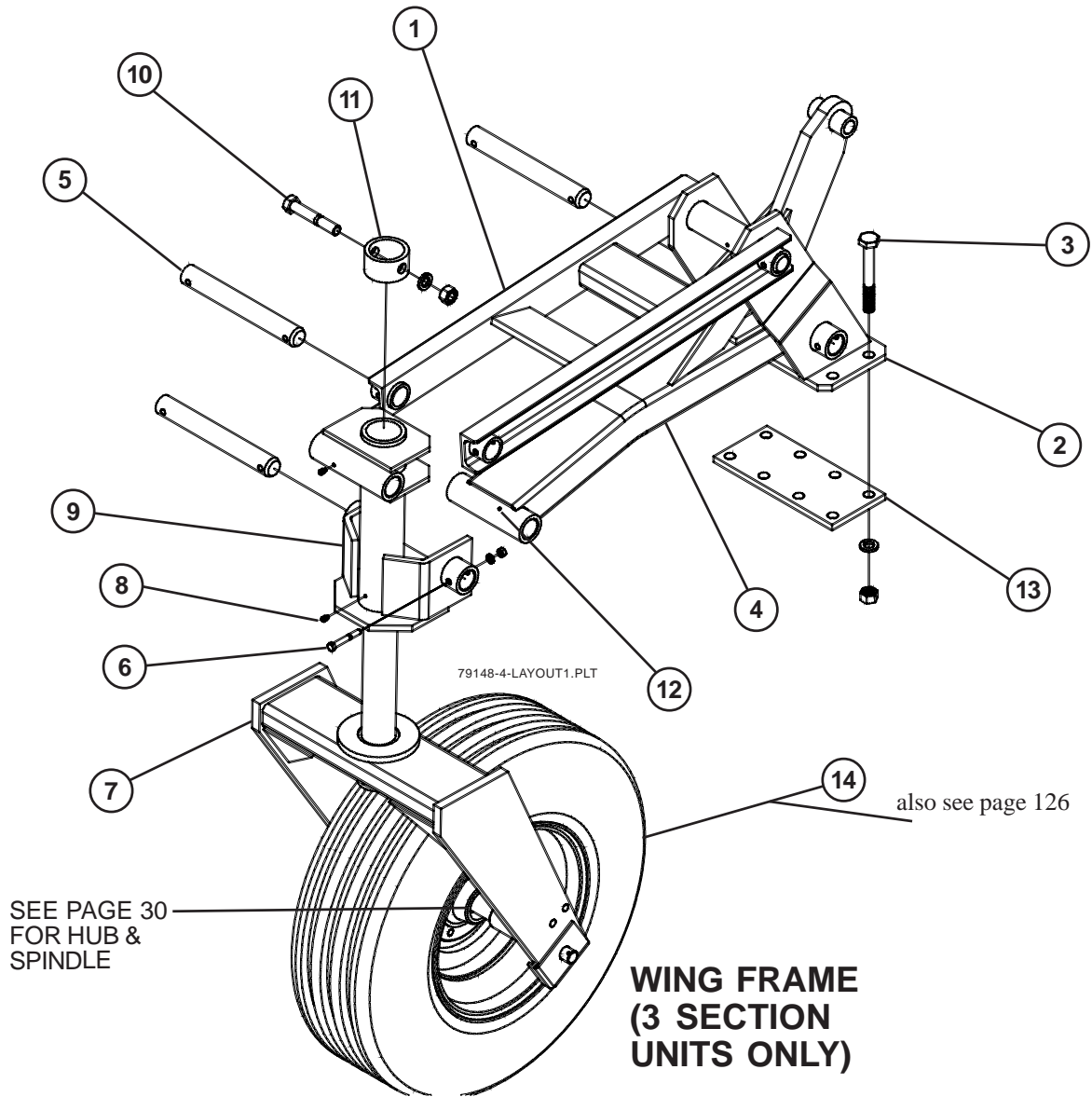
ITEM	PART NO	DESCRIPTION
18	233749	HEADLESS PIN 3/4" X 4-3/4"
19	222087	31x13.5 6B 12PLY WHL ASSY
	46714	15x10 6B WHEEL RIM
	222088	31x13.5 12PLY TUBELESS TIRE
	57908	VALVE STEM ASSEMBLY
20	88131	3/4" FLAT WASHER

Standard Nuts and Lock Washers

88172	1/4NC Nut	88262	1/4 Lock Washer
88103	3/8NC Nut	88362	3/8 Lock Washer
88104	1/2NC Nut	88303	1/2 Lock Washer
88126	5/8NC Nut	88129	5/8 Lock Washer
88110	3/4NC Nut	88130	3/4 Lock Washer
88371	7/8NC Nut	88341	7/8 Lock Washer

Note: Standard nuts and lock washers are not called out. Anything other than standard will be called out.

QX² PARALLEL LINK GAUGE WHEEL (WING)



ITEM	PART NO	DESCRIPTION
1	54559	TOP LINK ARM (8")
2	55659	GAUGE WHEEL MAST
3	88293	3/4"NCx6" GR5 BOLT
4	221502	LOWER OUTER GAUGE ARM
5	54595	PIVOT PIN
6	88582	3/8"NCx2-3/4" GR5 BOLT
7	58203	YOKE (18")
8	88550	1/4"NF GREASE FITTING
9	54571	GAUGE WHEEL PIVOT
10	88272	3/4"NCx4" GR5 BOLT
11	16009	COLLAR
12	88778	1/4"NF 45° GREASE FITTING
13	222353	LOWER MAST PLATE

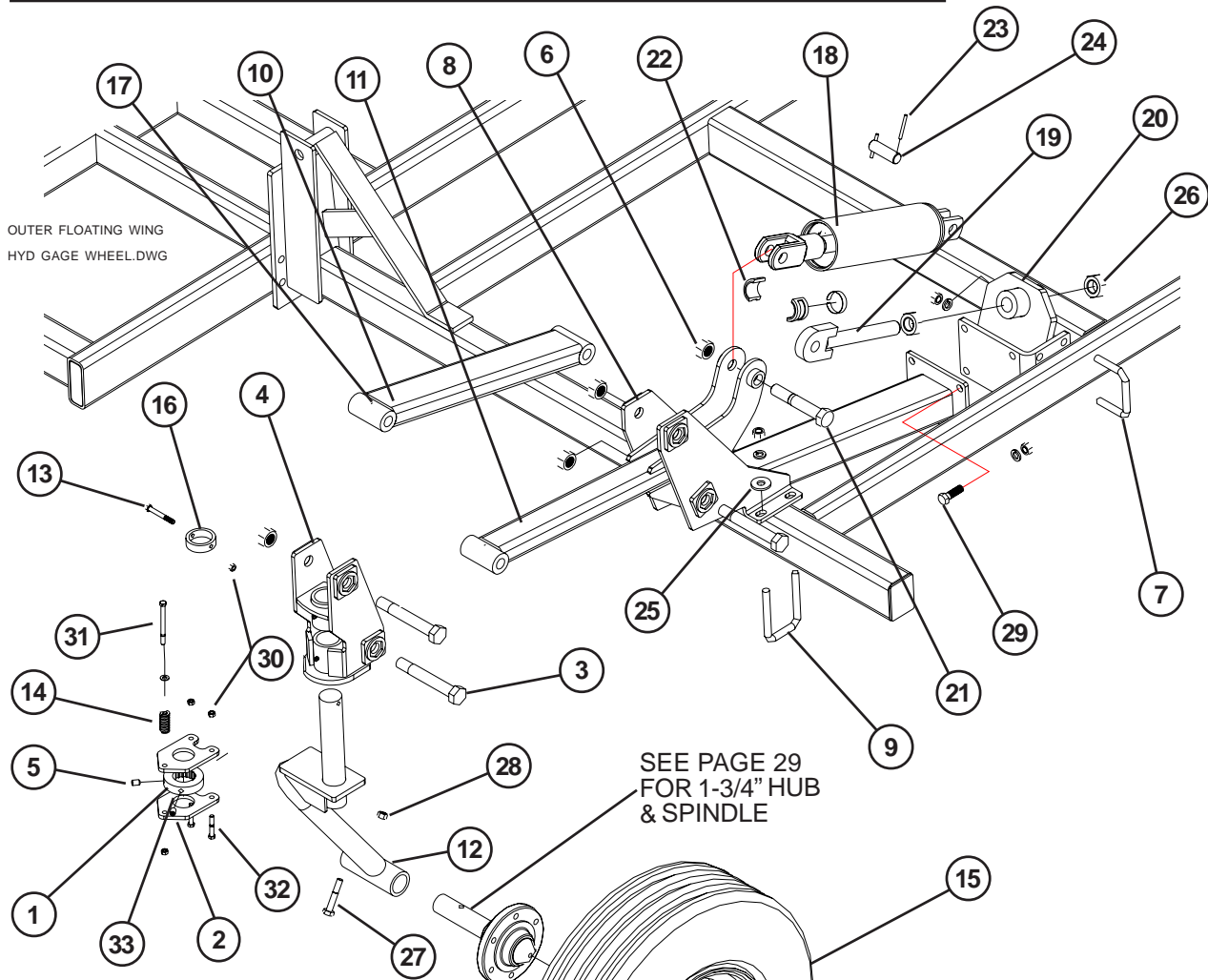
ITEM	PART NO	DESCRIPTION
14	222087	31x13.5 6B 12PLY WHL ASSY
	46714	15x10 6B WHEEL RIM
	222088	31x13.5 12PLY TUBELESS TIRE
	57908	VALVE STEM ASSEMBLY

Standard Nuts and Lock Washers

88172	1/4NC Nut	88262	1/4 Lock Washer
88103	3/8NC Nut	88362	3/8 Lock Washer
88104	1/2NC Nut	88303	1/2 Lock Washer
88126	5/8NC Nut	88129	5/8 Lock Washer
88110	3/4NC Nut	88130	3/4 Lock Washer
88371	7/8NC Nut	88341	7/8 Lock Washer

Note: Standard nuts and lock washers are not called out. Anything other than standard will be called out.

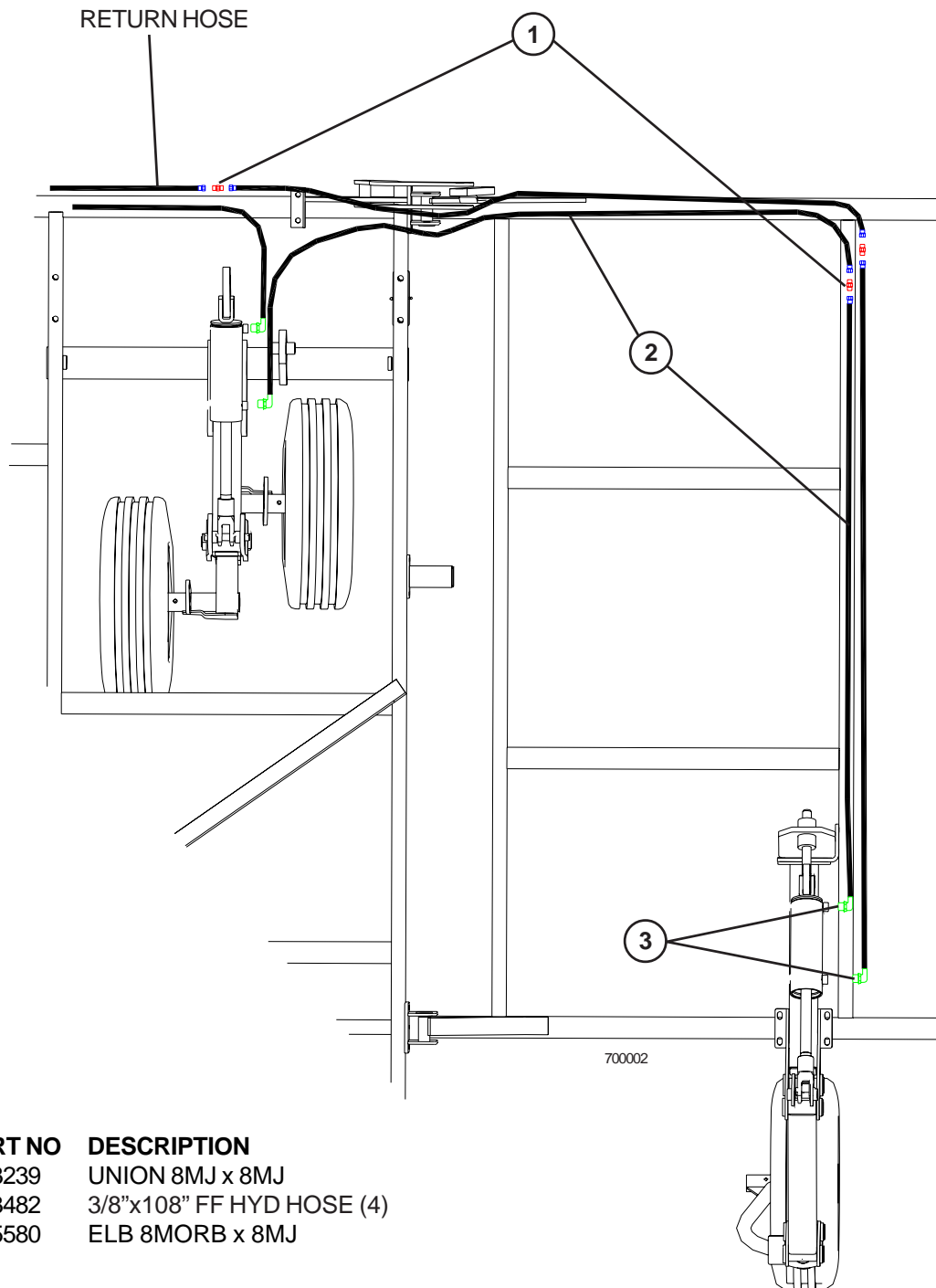
OUTER WING HYDRAULIC GAUGE WHEEL



ITEM	PART NO	DESCRIPTION
1	242443	INNER BREAK PLATE
2	242289	BREAK PLATE
3	221336	1"NCx6-5/8" GR5 BOLT
4	220850	GAUGE WHL PIVOT BRKT
5	88984	SET SCREW
6	89075	1"NC NYLON TOPLOCK NUT
7	88388	5/8"NCx4"x3-1/4" U-BOLT
8	220853	GAUGE WHEEL MOUNT
9	88503	5/8"NCx3"x5-1/4" U-BOLT
10	221100	UPPER GAUGE WHEEL ARM
11	222961	LOWER GAUGE WHEEL ARM
12	240360	CASTER WHEEL LEG RED
13	88531	3/8"NCx3" GR5 BOLT
14	242217	SPRING
15	16290	95Lx15 WHEEL ASSY 6B 8PLY
	10498	15x8 RIM 6 BOLT
	16287	95Lx15 TUBELESS TIRE 8PLY
	30784	VALVE STEM ASSY TR415
16	14189	STOP COLLAR
17	88550	1/4" GREASE FITTING
18	220761F1	HYD CYLINDER 4x9.3 W/TOP BP
	239904	SEAL KIT
19	54621	ADJUST ROD

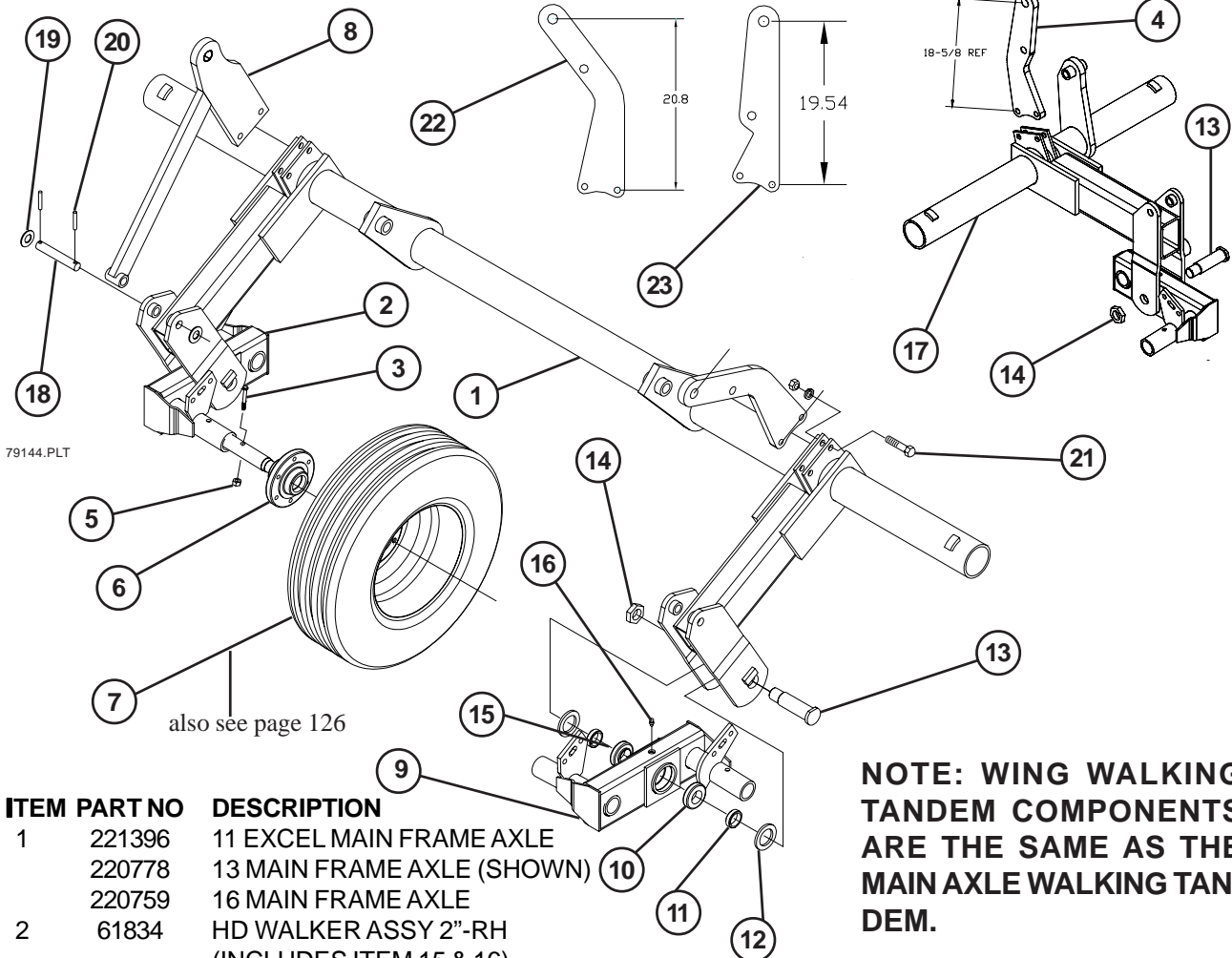
ITEM	PART NO	DESCRIPTION
20	235271	OUTER WING ANCHOR-RH
	235247	OUTER WING ANCHOR-LH(SHOWN)
21	88264	1"NCx6" GR5 BOLT
22	15113	1-1/2" STOP COLLAR
23	42484	1/4"x2-1/4" ROLL PIN
24	42473	1"x2-3/8" HEADLESS PIN
25	88277	5/8" FLAT WASHER
26	88622	1-1/4"NC JAM NUT
27	88313	1/2"NFx3" GR5 BOLT
28	88304	1/2"NF NUT
29	88294	5/8"NCx2" GR5 BOLT
30	88162	3/8"NC LOCK NUT
31	89013	3/8"NCx4-1/2 GR5 BOLT
32	88581	3/8"NCx2-1/4 GR5 BOLT
33	242216	BREAK ASSY

HYDRAULICS-OUTER GAUGE WHEEL



ITEM	PART NO	DESCRIPTION
1	13239	UNION 8MJ x 8MJ
2	13482	3/8"x108" FF HYD HOSE (4)
3	25580	ELB 8MORB x 8MJ

QX² & XL² MAIN AXLE & WALKING TANDEM



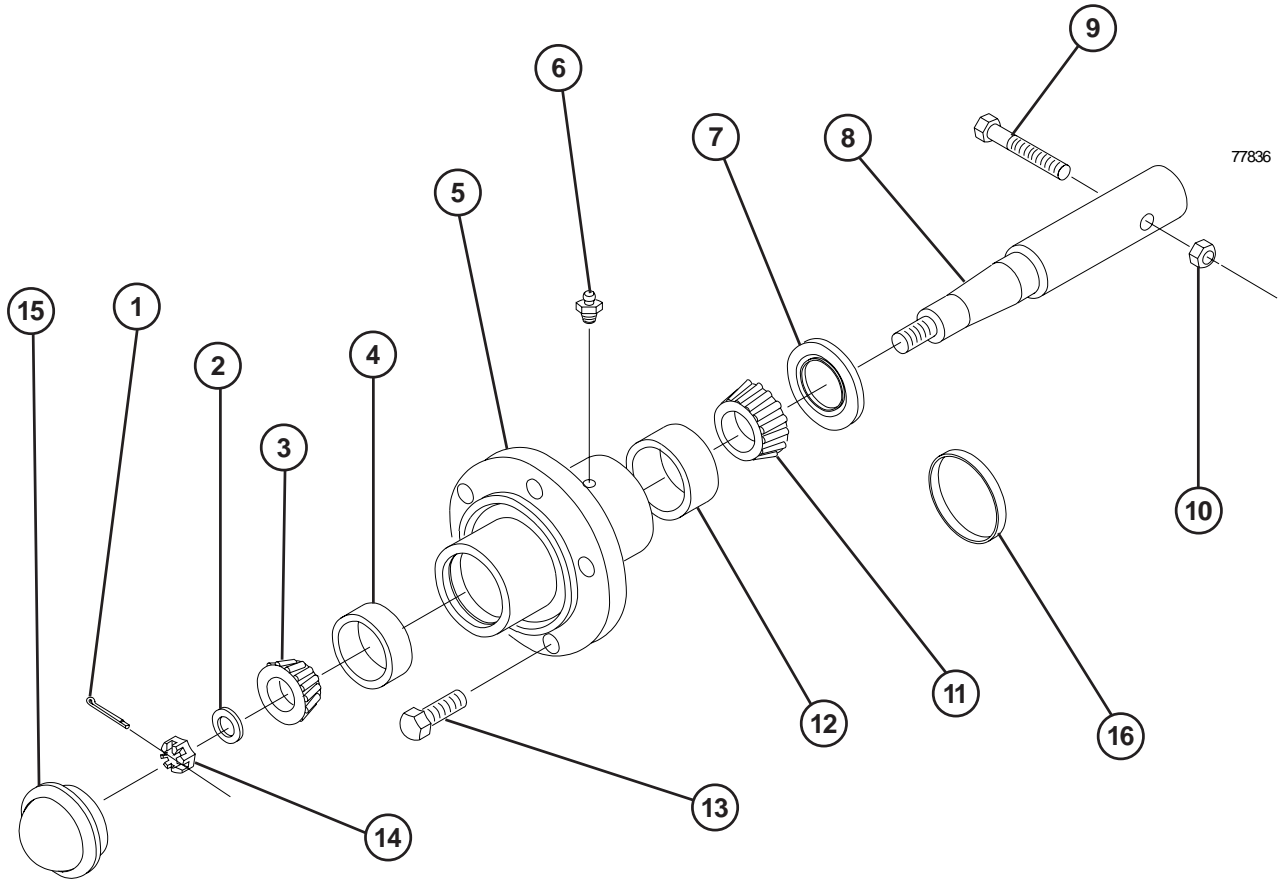
79144.PLT

NOTE: WING WALKING TANDEM COMPONENTS ARE THE SAME AS THE MAIN AXLE WALKING TANDEM.

ITEM	PART NO	DESCRIPTION
1	221396	11 EXCEL MAIN FRAME AXLE
	220778	13 MAIN FRAME AXLE (SHOWN)
	220759	16 MAIN FRAME AXLE
2	61834	HD WALKER ASSY 2"-RH (INCLUDES ITEM 15 & 16)
	221479	5 SEC HD WALKER ASSY 2-1/2"-RH (INCLUDES ITEM 15 & 16)
3	89343	5/8"NCx3-1/4" GR5 BOLT
4	221261	10.8" MAST ANCHOR
5	88304	1/2"NF LOCK NUT
6	14131	6-BOLT HUB & 2" SPINDLE (SEE PAGE 29)
	16154	8-BOLT HUB & 2-1/2" SPINDLE (SEE PAGE 29)
7	16290	9.5Lx15 WHEEL ASSY 6B 8PLY
	10498	15x8 RIM 6 BOLT
	16287	9.5Lx15 TIRE 8PLY
	30784	VALVE STEM ASSY TR415
	24538	11Lx15 WHEEL ASSY 6B 8PLY
	10498	15x8 RIM 6 BOLT
	29066	11Lx15 TIRE 8PLY
	30784	VALVE STEM ASSY TR415
	222087	31x13.50-15 WHEEL ASSY 12PLY
	46714	15 x10 RIM 6 BOLT
	222088	31x13.50-15 TIRE 12PLY
	57908	VALVE STEM ASSY
	203196	15 x 10 8 BOLT RIM
	246254	TIRE & RIM 5-SEC (HWY TIRE)
	57908	

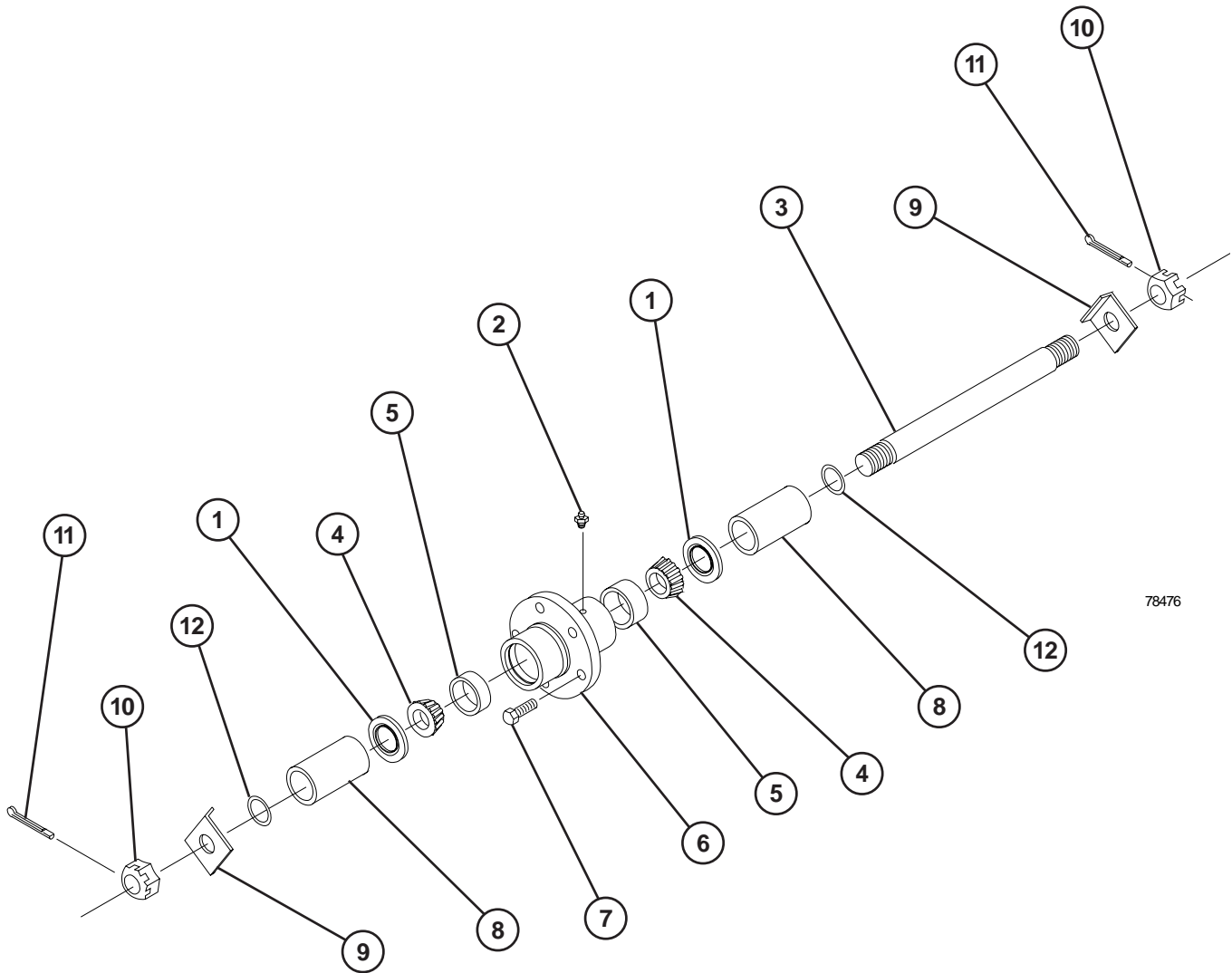
ITEM	PART NO	DESCRIPTION
8	220769	AXLE ANCHOR (QUAD X)
9	61832	HD WALKER ASSY 2"-LH (INCLUDES ITEM 15 & 16)
	221478	5 SEC HD WALKER ASSY 2-1/2"-LH (INCLUDES ITEM 15 & 16)
10	12103	1.75" BORE BRG CONE (25580)
11	16278	BEARING BUSHING
12	26120	SEAL REPLACE BY 23733
13	16277	TANDEM PIN
14	42082	1-1/2"NF HYDRA LOCK NUT
15	12104	3.265" OD BEARING CUP (NOT SHOWN)
16	88550	1/4"NF GREASE FITTING
17	220938	RIGHT WING AXLE
	220939	LEFT WING AXLE (SHOWN)
18	68033	PIN (1"x6.38")
19	88196	1" FLAT WASHER
20	42484	1/4"x2-1/4" SPIROL PIN
21	88841	3/4"NCx2-3/4" GR5 BOLT
22	221262	12.6" MAST ANCHOR (EXCEL)
23	221260	9.3" MAST ANCHOR

1-3/4", 2" & 2-1/2" HUB & SPINDLE



ITEM	PART NO	DESCRIPTION	ITEM	PART NO	DESCRIPTION
	41234	1-3/4" HUB & SPINDLE (INCLUDES ITEMS 1-8 & 11-15)	8	16156	2-1/2" SPINDLE
	14131	2" HUB & SPINDLE (INCLUDES ITEMS 1-8 & 11-15)		14251	2" AXLE SPINDLE
	16154	2-1/2" HUB & SPINDLE (INCLUDES ITEMS 1-8 & 11-15)	9	88298	5/8"NCx4" GR5 BOLT (2-1/2")
1	88301	3/16"x1-1/2" COTTER PIN		88429	1/2"NFx3-1/4" GR5 BOLT (2")
	88133	3/16"x2" COTTER PIN (2-1/2")		88313	1/2"NFx3" GR5 BOLT (1-3/4")
2	16094	7/8" SPINDLE WASHER	10	88304	1/2"NF LOCK NUT
	64050	HARD WR 2-1/2"ODx1-1/16"ID(2-1/2")		88369	5/8"NC LOCK NUT
3	10345	OUTER BEARING CONE	11	16083	INNER BEARING CONE (2-1/2")
	16081	OUTER BEARING CONE (2-1/2")		14248	INNER BEARING CONE (2")
4	10344	OUTER BEARING CUP	12	16084	INNER BEARING CUP (2-1/2")
	16082	OUTER BEARING CUP (2-1/2")		14249	INNER BEARING CUP (2")
5	24097	6-BOLT HUB 2" SPINDLE (INCLUDES ITEMS 4, 6 & 12)		11379	INNER BEARING CUP (1-3/4")
	30405	6 BOLT HUB 1-3/4" SPINDLE (INCLUDES ITEMS 4, 6, 12 & 16)	13	88142	1/2"NFx1 90° WHEEL BOLT
	41054	8 BOLT HUB 2-1/2" SPINDLE (INCLUDES ITEMS 4, 6, 12 & 16)		63831	9/16"NFx1-1/8" WHL BOLT (2-1/2")
6	88263	1/8"NPT GREASE FITTING	14	88340	7/8"NF SLOTTED NUT
	88143	1/4 GREASE FITTING (2-1/2")		88299	1"NF SLOTTED NUT (2-1/2")
7	58546	2" TRIPLE LIP SEAL	15	11381	DUST CAP
	25585	1-3/4" TRIPLE LIP SEAL		16077	HUB CAP (2-1/2")
	235298	2-1/2" SPINDLE SEAL	16	25586	WEAR SLEEVE (1-3/4")

GAUGE WHEEL HUB & SPINDLE

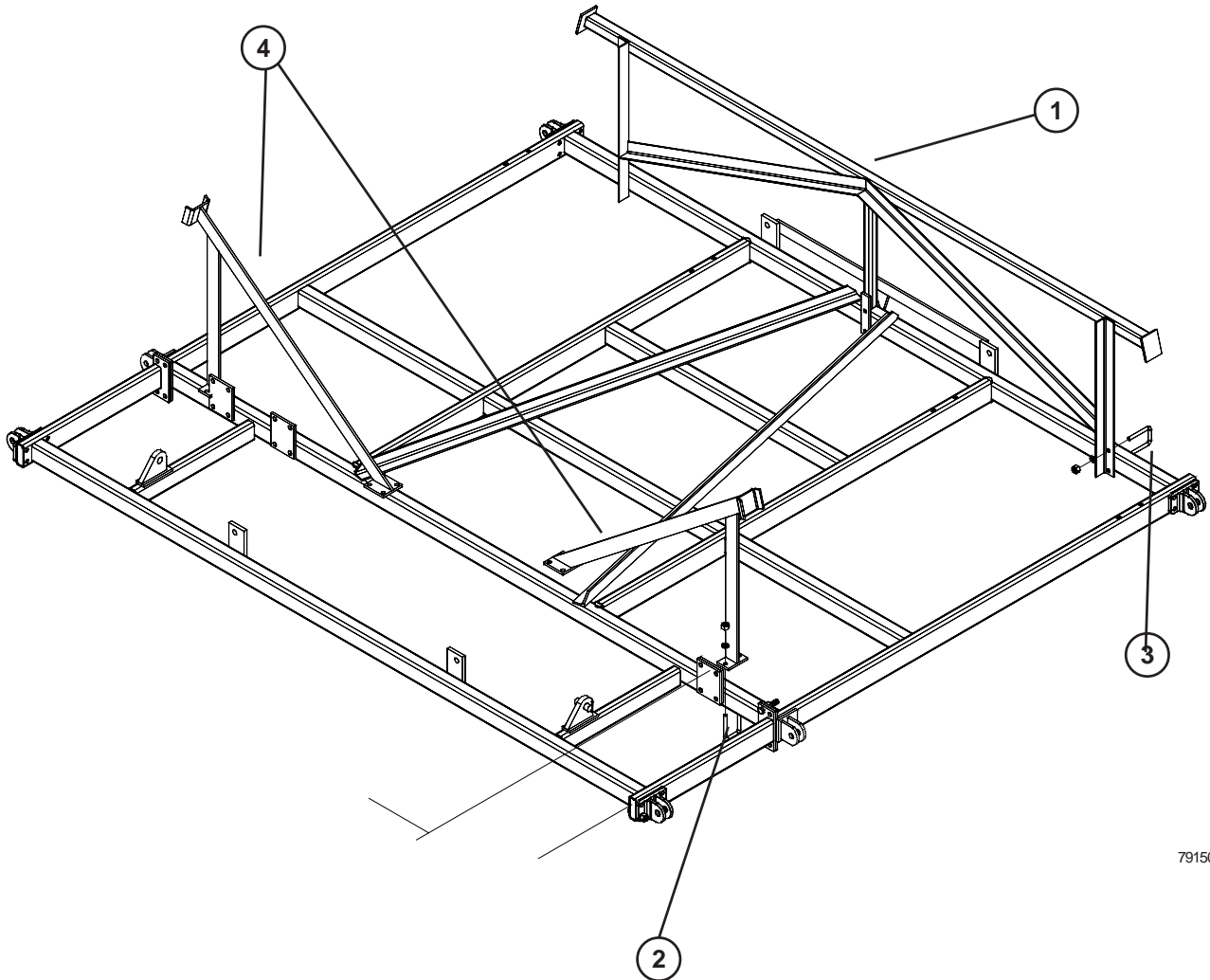


ITEM	PART NO	DESCRIPTION
	55562	YOKE HUB ASSEMBLY (22" SPINDLE)
1	208981	2" INTERNAL TRIPLE LIP SEAL
2	88263	1/8"NPT GREASE FITTING
3	58204	1-1/2" DIAx22" SPINDLE
4	54731	BEARING CONE
5	16082	BEARING CUP
6	62389	6-BOLT HUB W/CUPS (INCLUDES ITEM 5) REPLACE BY 54729

ITEM	PART NO	DESCRIPTION
7	63831	9/16"NFx1-1/8" WHEEL BOLT
8	62400	2"ODx6" SEALED SPINDLE TUBE MUST ORDER ITEM 12 WITH TUBE
9	55150	SPINDLE LOCK
10	88299	1"NF SLOTTED NUT
11	88133	3/16"x2" COTTER PIN
12	12456	O-RING (REQ. W/62400)

11' XL² WING REST

13' AND 16'
WING RESTS
ARE SHOWN
WITH THEIR
RESPECTIVE
MAIN FRAMES



79150

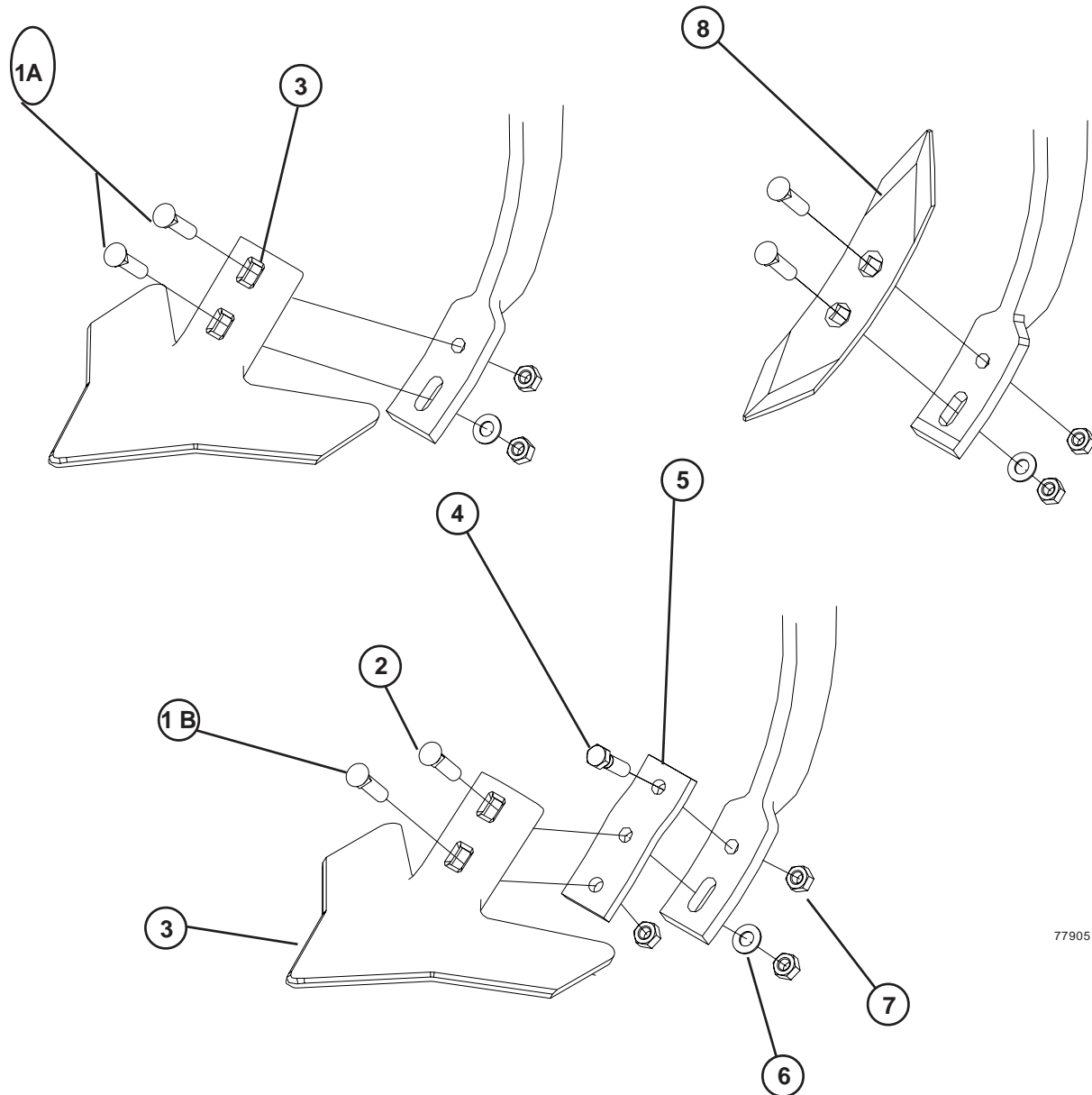
ITEM	PART NO	DESCRIPTION
1	65683	11' WING REST
2	88503	5/8"NCx3"x5-1/4" U-BOLT
3	88501	5/8"NCx4"x4-1/4" U-BOLT
4	67794	11' FRONT WING REST(9' WING)

Standard Nuts and Lock Washers

88172	1/4NC Nut	88262	1/4 Lock Washer
88103	3/8NC Nut	88362	3/8 Lock Washer
88104	1/2NC Nut	88303	1/2 Lock Washer
88126	5/8NC Nut	88129	5/8 Lock Washer
88110	3/4NC Nut	88130	3/4 Lock Washer
88371	7/8NC Nut	88341	7/8 Lock Washer

Note: Standard nuts and lock washers are not called out. Anything other than standard will be called out.

SHOVELS

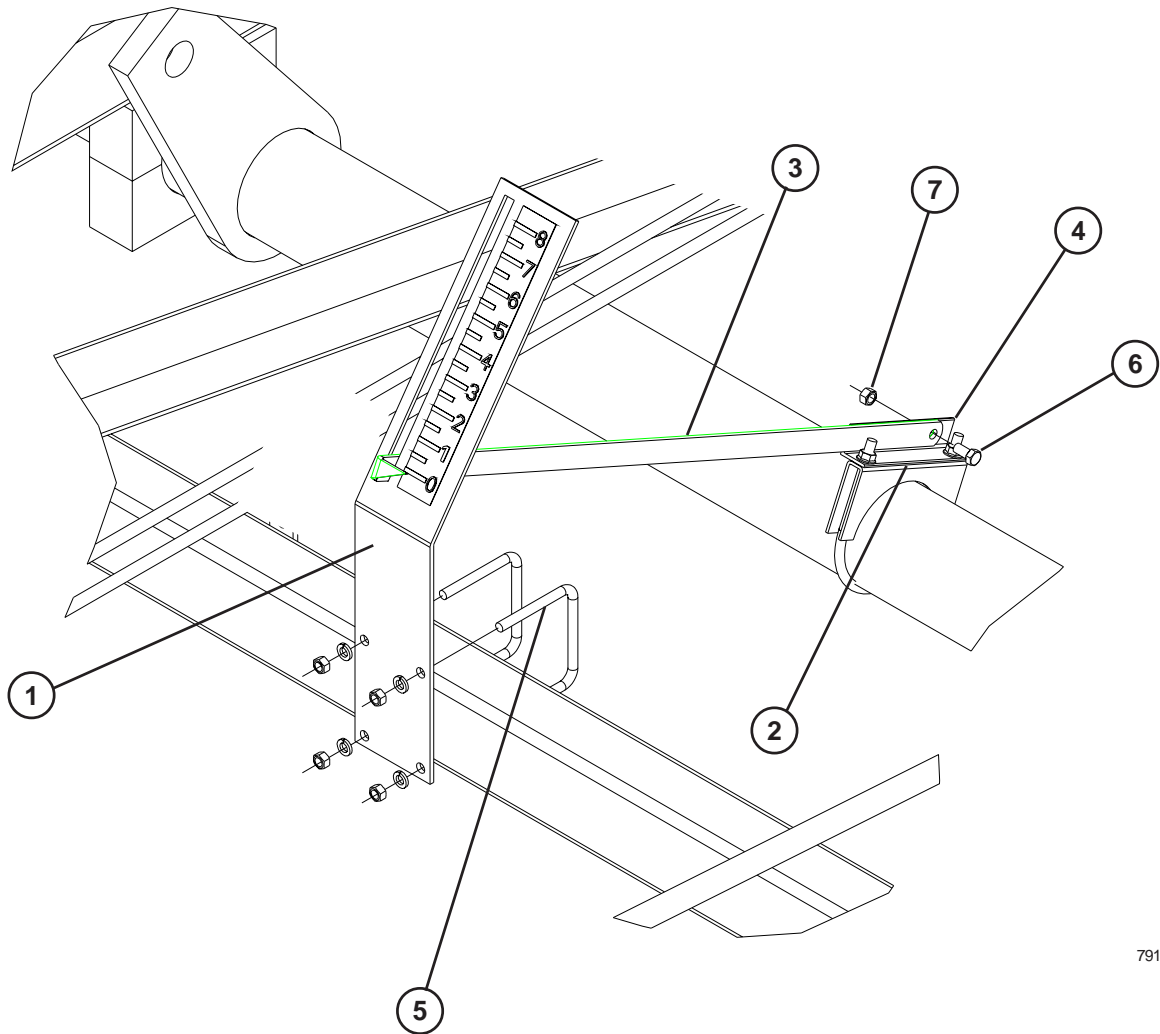


77905

ITEM	PART NO	DESCRIPTION
	16339	FC SHOVEL EXT (REF. ITEMS 1,2,4,5,6 & 7 KIT EXTENSION CONTAINS HDWE FOR 4 SHOVELS)
1A	88599	PLOW BOLT 7/16NCX1-1/2 GR5
1B	88849	PLOW BOLT 7/16NCX1-3/4 GR5
2	88464	PLOW BOLT 7/16NCX2-1/4 GR5

ITEM	PART NO	DESCRIPTION
3	222682	9" TERMINATOR SWEEP 47° STEM ANGLE W/HWDR
	222681	7" TERMINATOR SWEEP 47° STEM ANGLE W/ HDWR
4	88392	7/16NCX1-1/2 BOLT
5	41575	FC SHOVEL EXTENSION
6	88152	7/16 FLAT WASHER
7	88344	7/16NC NUT
8	222680	2" REVERSIBLE SPIKE W/HDWR

DEPTH GAUGE



79120.PLT

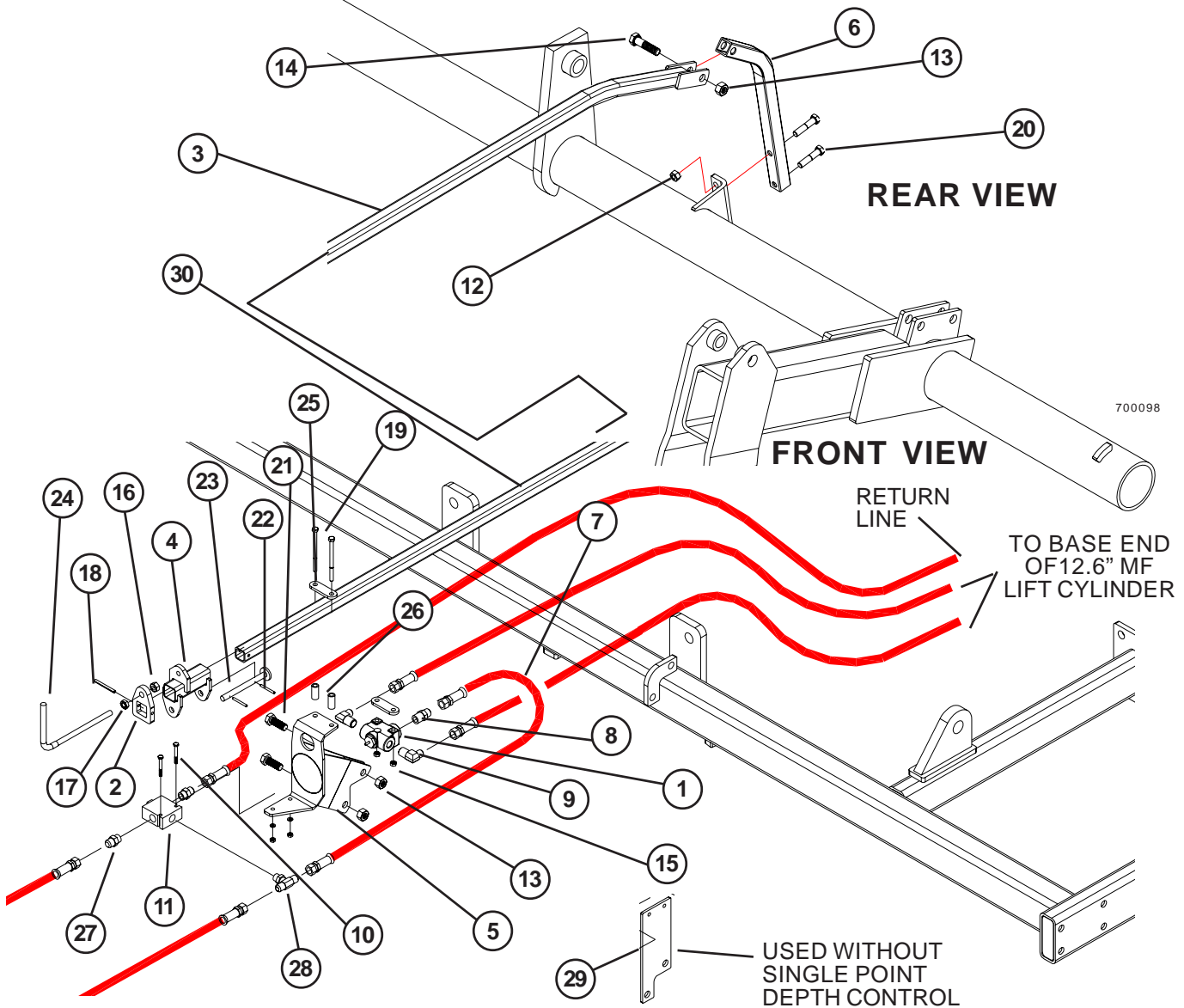
ITEM	PART NO	DESCRIPTION
1	69303	DEPTH GAUGE
2	69314	4-1/2" EXHAUST CLAMP
3	69309	DEPTH INDICATOR ARM
4	69310	ANGLE
5	88514	3/8"NCx4"x3-3/4" U-BOLT
6	88566	3/8"NCx3/4" GR5 BOLT
7	88162	3/8"NC LOCK NUT

Standard Nuts and Lock Washers

88172	1/4NC Nut	88262	1/4 Lock Washer
88103	3/8NC Nut	88362	3/8 Lock Washer
88104	1/2NC Nut	88303	1/2 Lock Washer
88126	5/8NC Nut	88129	5/8 Lock Washer
88110	3/4NC Nut	88130	3/4 Lock Washer
88371	7/8NC Nut	88341	7/8 Lock Washer

Note: Standard nuts and lock washers are not called out. Anything other than standard will be called out.

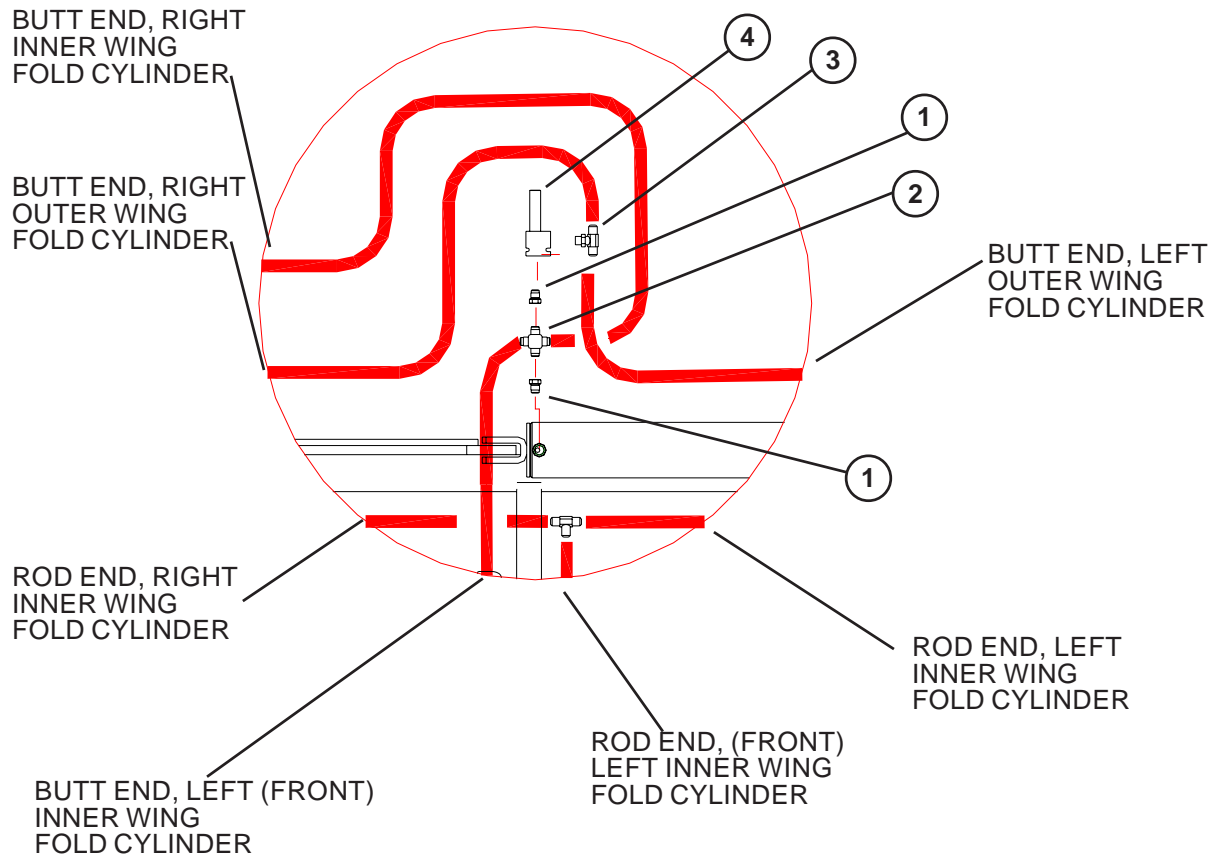
SINGLE POINT DEPTH CONTROL



ITEM	PART NO	DESCRIPTION
1	51975	SINGLE POINT DCV ASSY
	55836	REPAIR KIT
2	222107	ADJUST EAR
3	241487	BENT TUBE
4	222111	SLIDE ADJUST
5	238638	SINGLE POINT BRACKET
6	238652	SINGLE POINT TUBE-SHORT
7	242448	HYD HOSE 1/2"x30" 8FJX-8FJX
8	13234	ADP 8MJ X 8MPT
9	13236	ELB 8MJ X 8MPT
10	89058	1/4"NC x 1 GR5 BOLT
11	241317	CHECK VALVE
12	88363	1/2" NC LOCK NUT
13	88369	5/8" NC LOCK NUT
14	88409	5/8"NCx2-1/2" GR5 BOLT
15	88540	5/16" NC LOCK NUT

ITEM	PART NO	DESCRIPTION
16	88561	1/2" NC JAM NUT
17	88621	1/2" NC NYLON LOCK NUT
18	88767	1/4"x2-1/2" ROLL PIN
19	88812	5/16"NCx4-1/2" GR5 BOLT
20	88825	1/2"NCx2-1/4" GR5 BOLT
21	88838	5/8"NCx1-3/4" GR5 BOLT
22	89078	3/16"x1-3/4" ROLL PIN
23	222180	SPRING PIN
24	222182	ADJUST CRANK
25	238636	VALVE SPACER
26	238637	SPACER TUBE
27	24024	ADP 8MORB X 8MJ
28	56534	TEE 8MORB X 8MJ X 8MJ
29	242469	VALVE MNT
30	241488	INNER TUBE

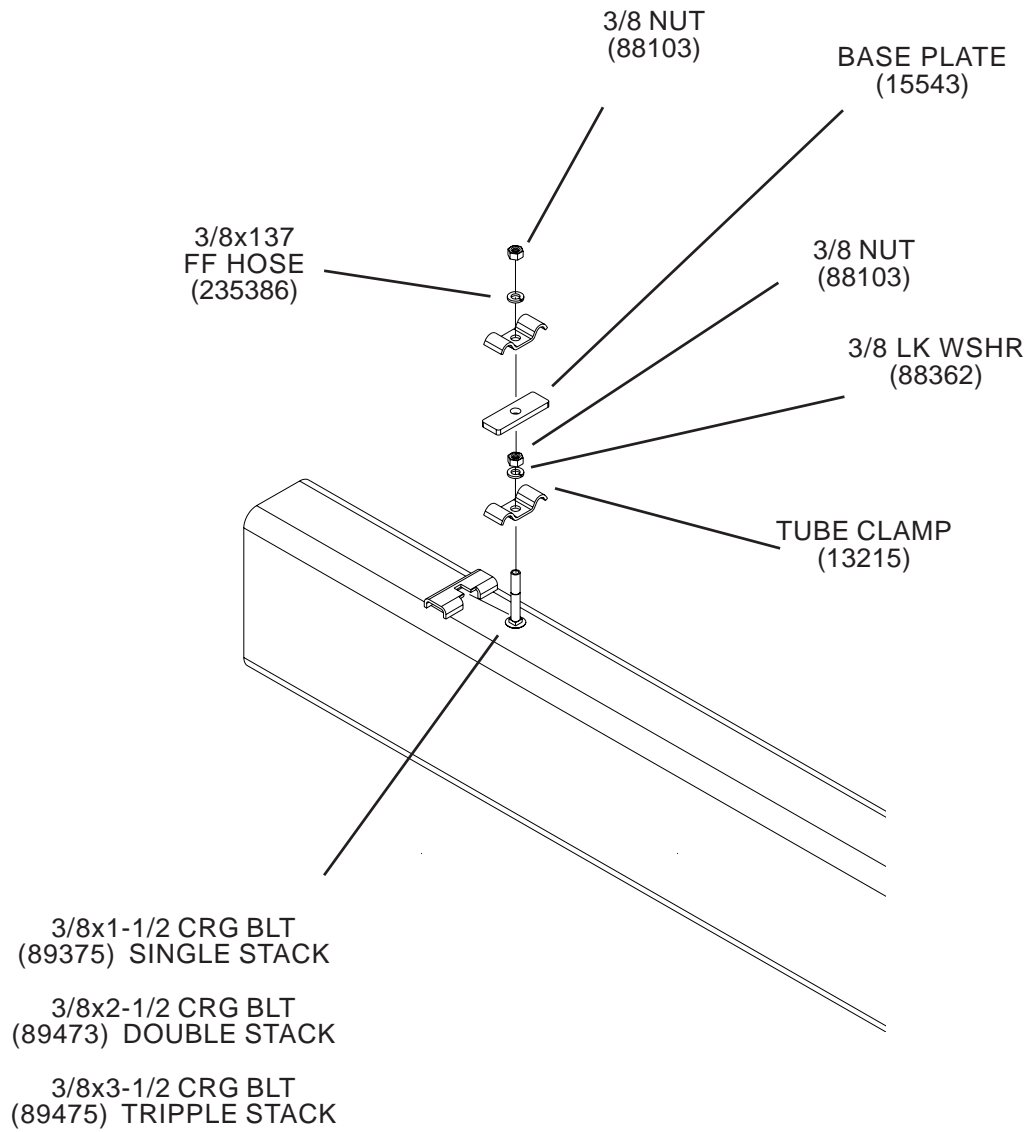
SEQUENCE VALVE



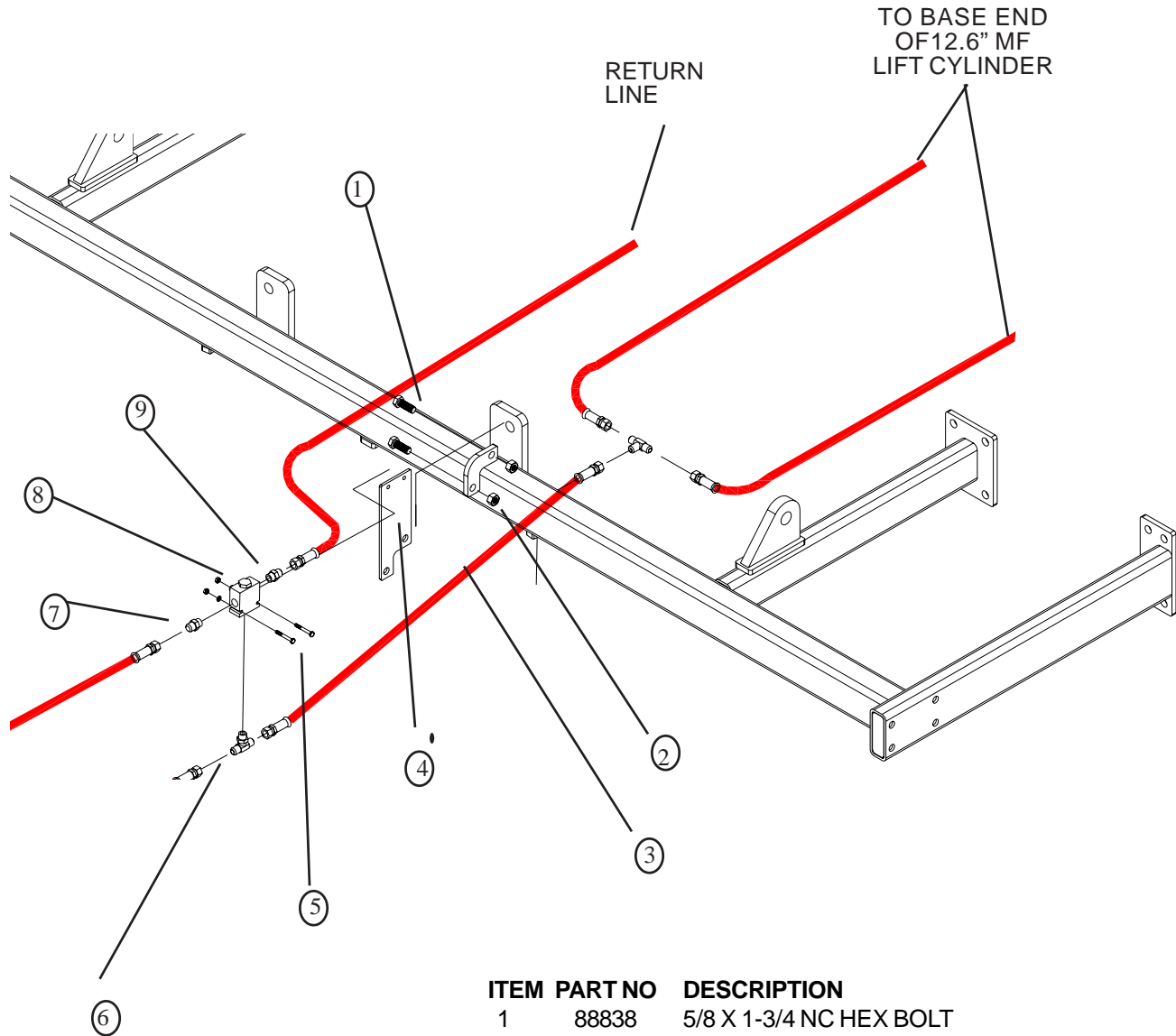
700154

ITEM	PART NO	DESCRIPTION
1	24004	ADP 8MORB x 8FJX
2	15910	CROSS 8MJ
3	56534	TEE 8MJ X 8MJ x 8MORB
4	65870	SEQUENCE VALVE

HOSE CLAMP



STANDARD - CHECK VALVE WITHOUT SINGLE POINT



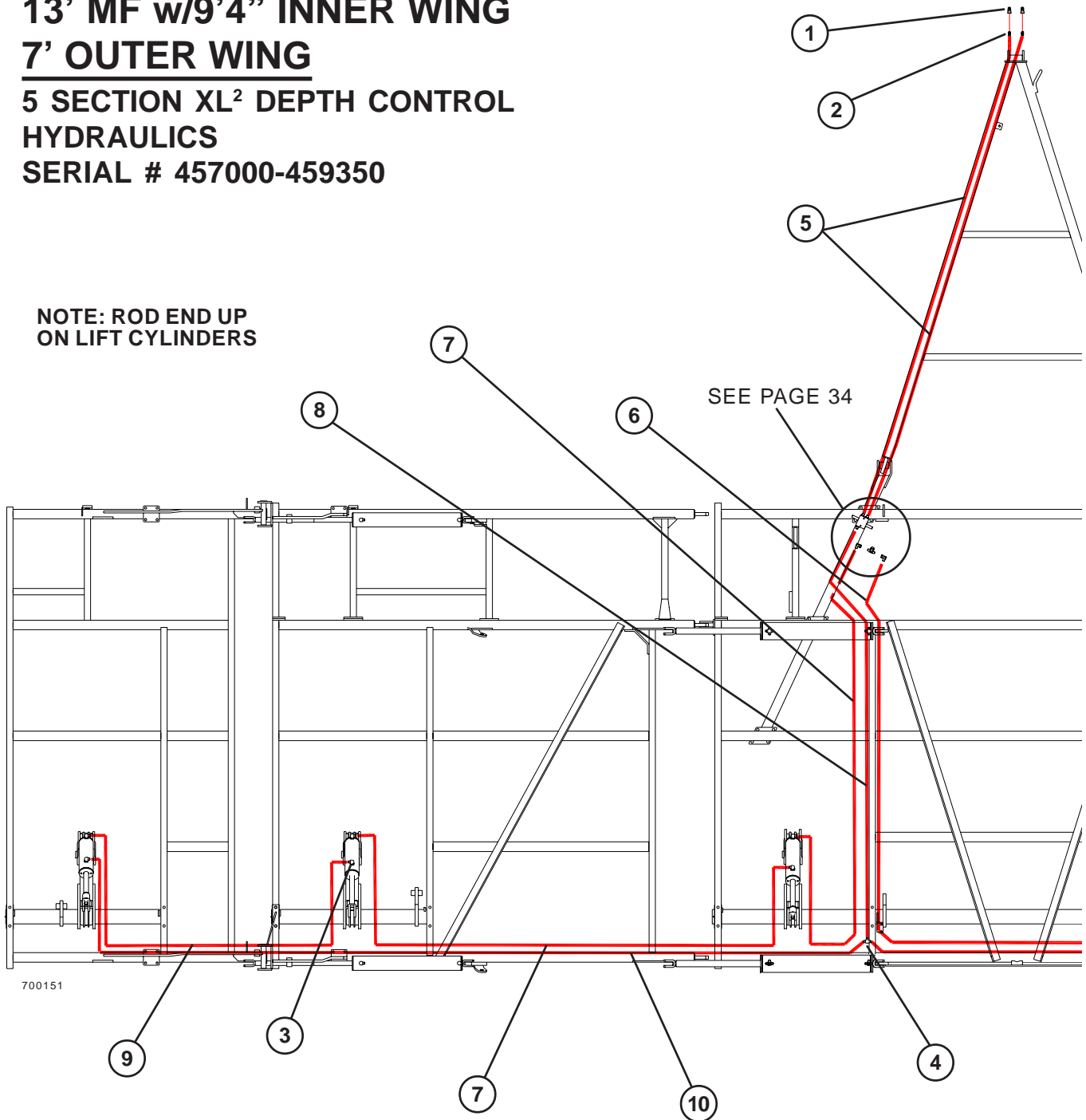
ITEM	PART NO	DESCRIPTION
1	88838	5/8 X 1-3/4 NC HEX BOLT
2	88369	5/8 NC LOCK NUT
3	242448	HOSE 1/2 X 30 8F JX-8FJX
4	243632	VALVE MNT (ONLY USE WITH OUT SINGLE POINT)
5	89058	1/4 X 1 NC HEX BOLT
6	56534	TEE 8MORB X 8MJ X 8MJ (PORT 1)
7	24024	ADP 8MORB X 8MJ (PORT 2)
8	241317	CHECK VALVE
9	24024	ADP 8MORB X 8MJ (PORT 3)

13' MF w/9'4" INNER WING 7' OUTER WING

5 SECTION XL² DEPTH CONTROL HYDRAULICS

SERIAL # 457000-459350

NOTE: ROD END UP
ON LIFT CYLINDERS



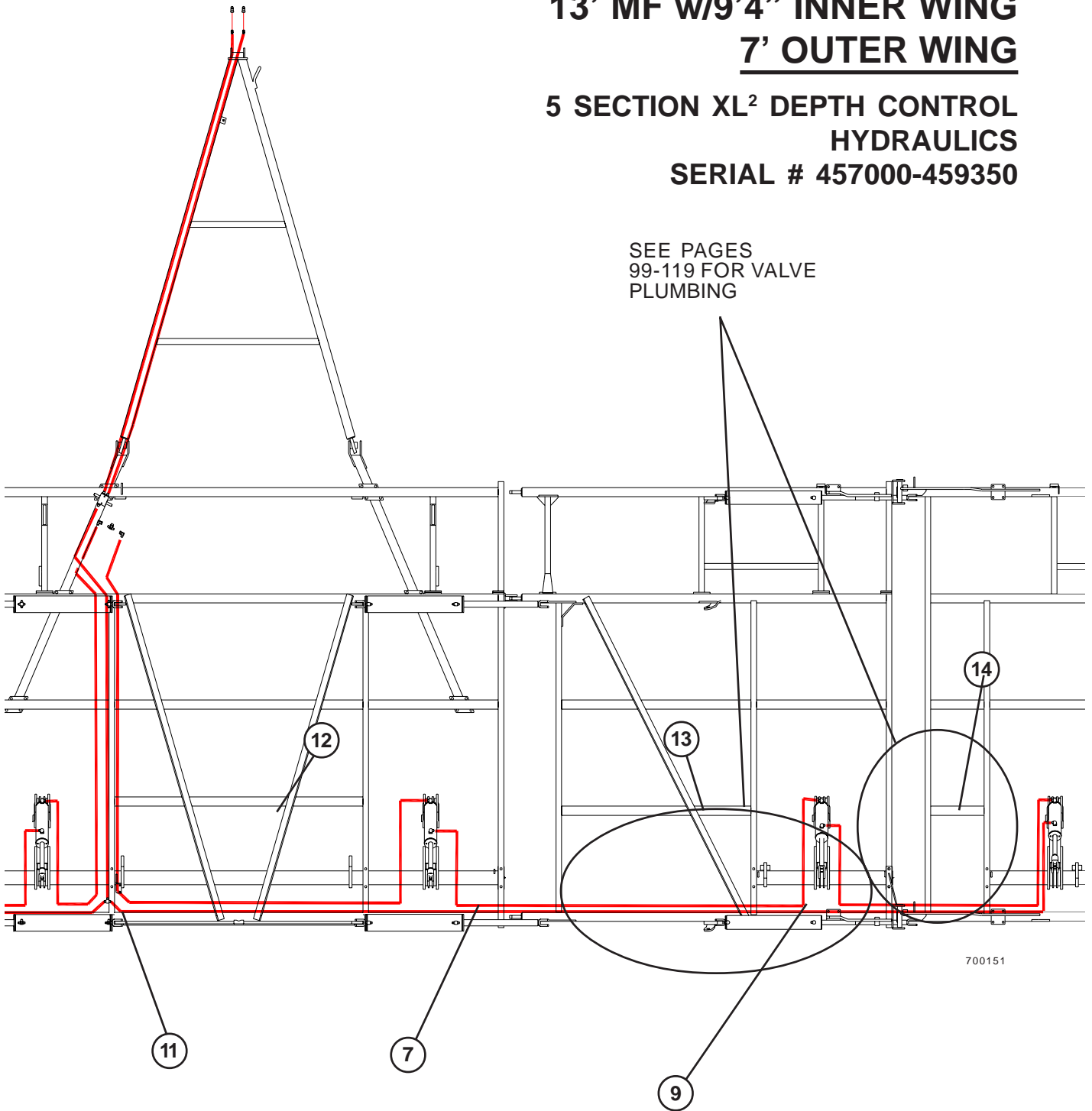
ITEM	PART NO	DESCRIPTION
1	60640	QUICK DISCONNECT COUPLER
2	13234	ADP 8MJ X 8MPT
3	25580	ELB 8MJ X 8MORB
4	13238	TEE 8MJ X 8MJ X 8MJ
5	234940	HYD HOSE 1/2"x216" FF
6	67576	HYD HOSE 3/8"x276" FF
7	233689	HYD HOSE 3/8"x180" FF
8	13484	HYD HOSE 3/8"x156" FF
9	13483	HYD HOSE 3/8"x120" FF
10	67576	HYD HOSE 3/8"x276" FF
11	240604	HYD HOSE 3/8"x300" FF

ITEM	PART NO	DESCRIPTION
12	67683F1	HYD CYL 4"X12.56" BP FGS A519CY24
	239904	SEAL KIT 4" BP (FGS SK-ACXL4Q1S)
13	67688F1	HYD CYL 4"X10.8" BP FGAA519CY25
	239904	SEAL KIT 4" BP (FGS SK-ACXL4Q1S)
14	67687F1	HYD CYL 4"X9.3" BP FGS A519CY31
	239904	SEAL KIT 4" BP (FGS SK-ACXL4Q1S)
15	220061	1-1/2" CHANNEL LOCK 10"(NOT SHOWN)
16	42505	CYLINDER PIN KIT(NOT SHOWN)

**13' MF w/9'4" INNER WING
7' OUTER WING**

**5 SECTION XL² DEPTH CONTROL
HYDRAULICS
SERIAL # 457000-459350**

SEE PAGES
99-119 FOR VALVE
PLUMBING

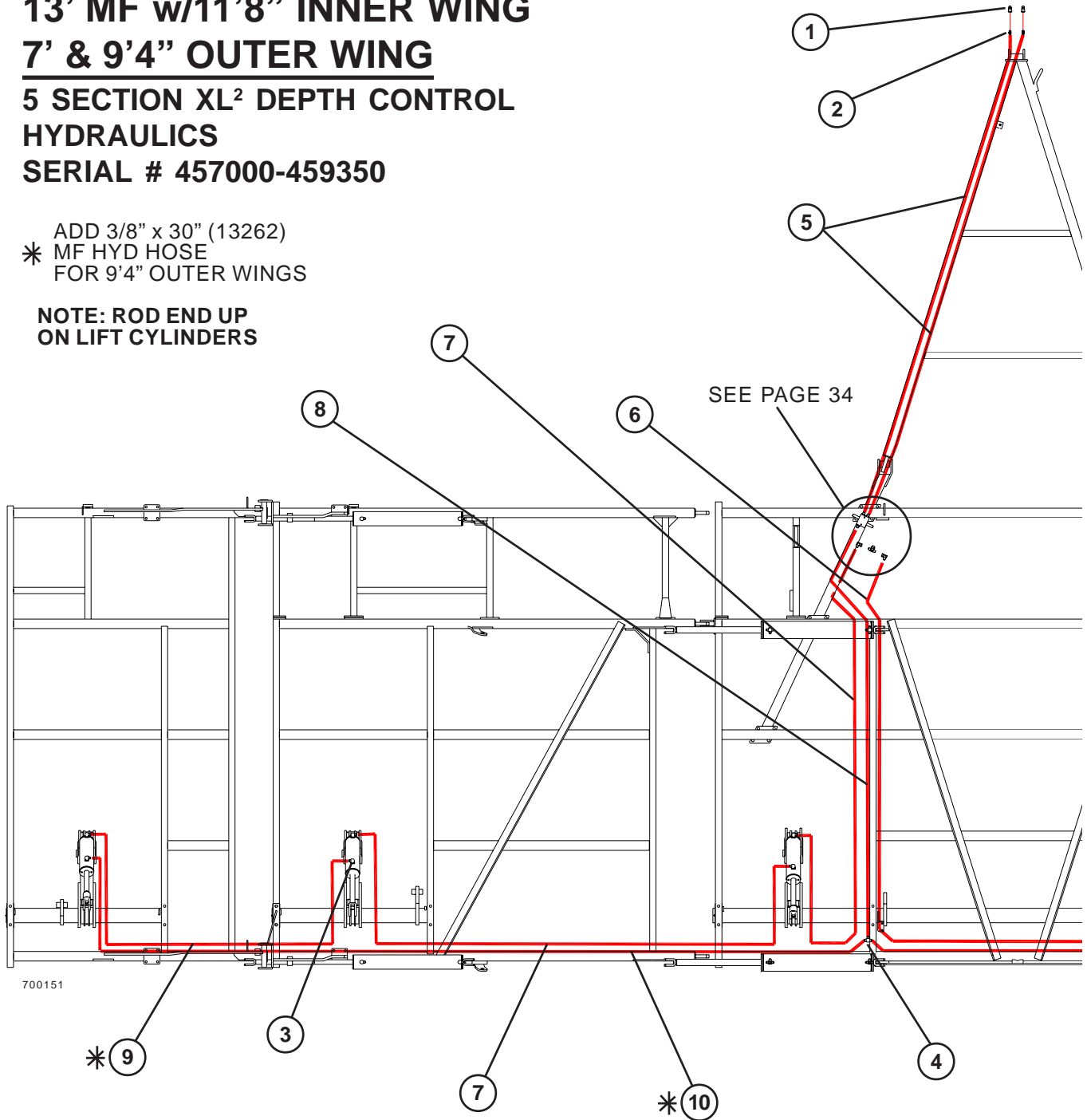


700151

**13' MF w/11'8" INNER WING
7' & 9'4" OUTER WING
5 SECTION XL² DEPTH CONTROL
HYDRAULICS
SERIAL # 457000-459350**

ADD 3/8" x 30" (13262)
* MF HYD HOSE
FOR 9'4" OUTER WINGS

**NOTE: ROD END UP
ON LIFT CYLINDERS**



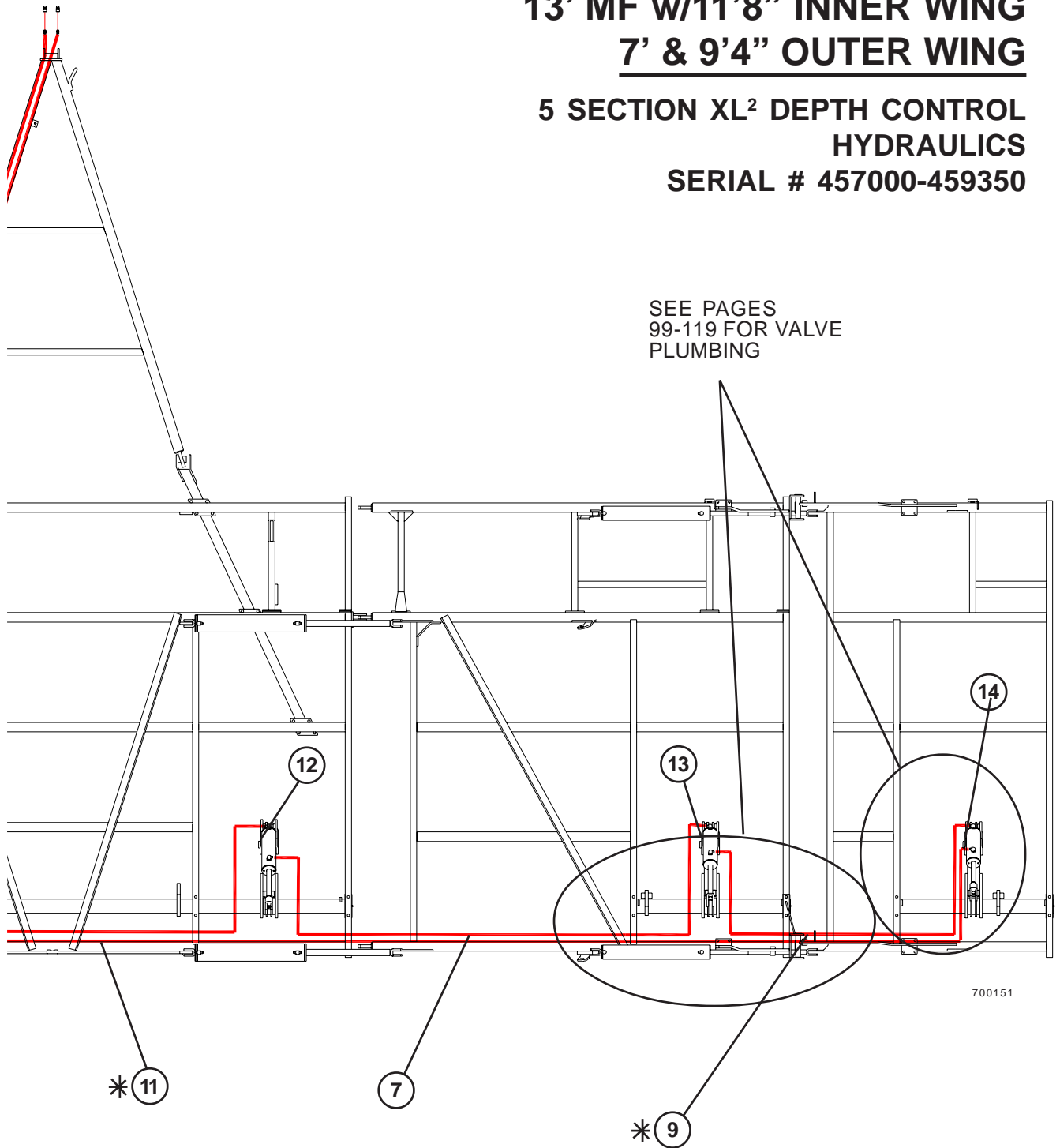
ITEM	PART NO	DESCRIPTION
1	60640	QUICK DISCONNECT COUPLER
2	13234	ADP 8MJ X 8MPT
3	25580	ELB 8MJ X 8MORB
4	13238	TEE 8MJ X 8MJ X 8MJ
5	234940	HYD HOSE 1/2"x216" FF
6	67576	HYD HOSE 3/8"x276" FF
7	240605	HYD HOSE 3/8"x216" FF
8	13484	HYD HOSE 3/8"x156" FF
9	13483	HYD HOSE 3/8"x120" FF
10	240604	HYD HOSE 3/8"x300" FF
11	240609	HYD HOSE 3/8"x324" FF

ITEM	PART NO	DESCRIPTION
12	67683F1	HYD CYL 4"x12.56" BP FGS A519CY24
	239904	SEAL KIT 4" BP (FGS SK-ACXL4Q1S)
13	67688F1	HYD CYL 4"x10.8" BP FGA A519CY25
	239904	SEAL KIT 4" BP (FGS SK-ACXL4Q1S)
14	67687F1	HYD CYL 4"x9.3" BP FGS A519CY31
	239904	SEAL KIT 4" BP (FGS SK-ACXL4Q1S)
15	220061	1-1/2" CHANNEL LOCK 10"(NOT SHOWN)
16	42505	CYLINDER PIN KIT(NOT SHOWN)

13' MF w/11'8" INNER WING 7' & 9'4" OUTER WING

5 SECTION XL² DEPTH CONTROL
HYDRAULICS

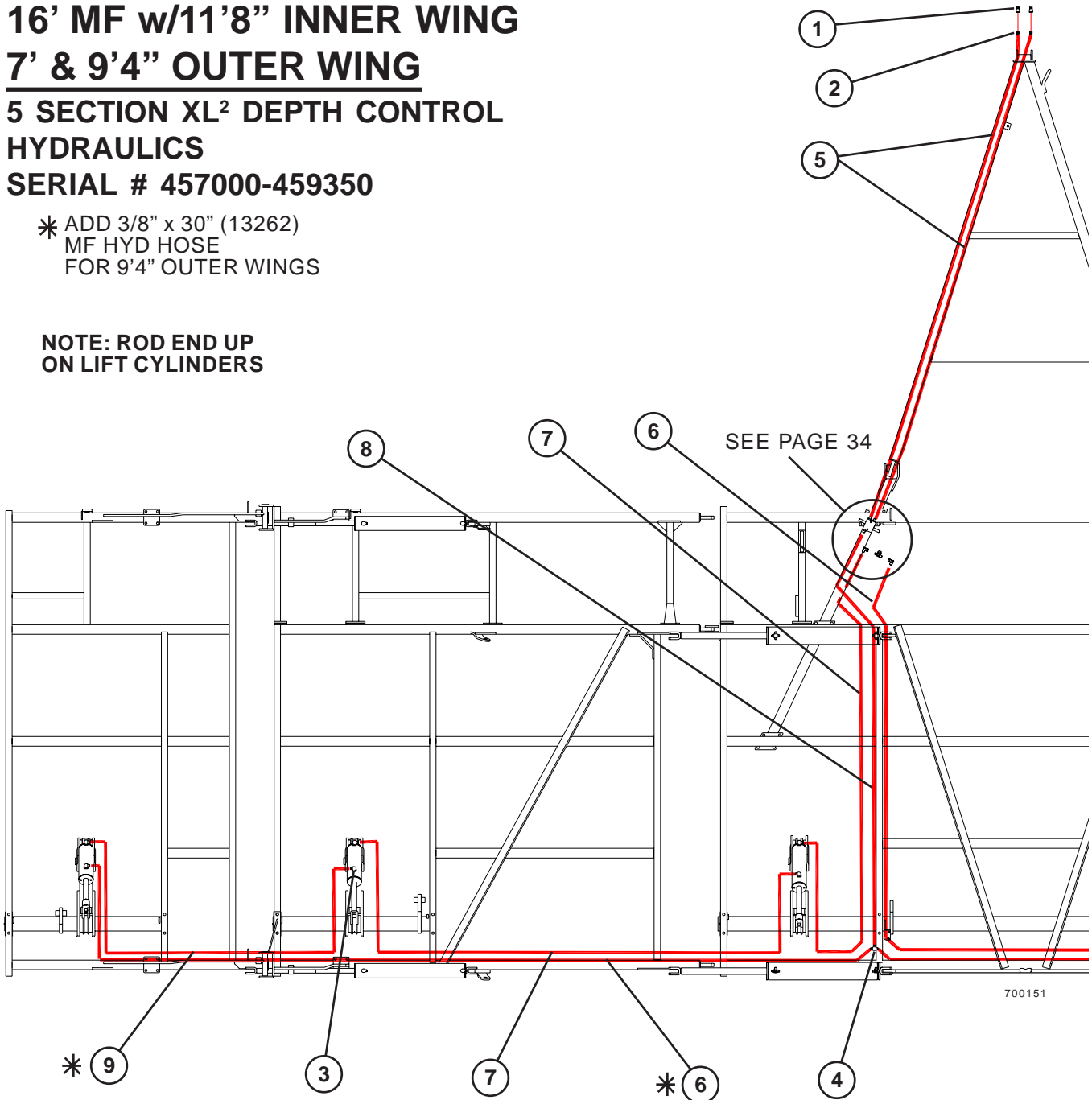
SERIAL # 457000-459350



**16' MF w/11'8" INNER WING
7' & 9'4" OUTER WING
5 SECTION XL² DEPTH CONTROL
HYDRAULICS
SERIAL # 457000-459350**

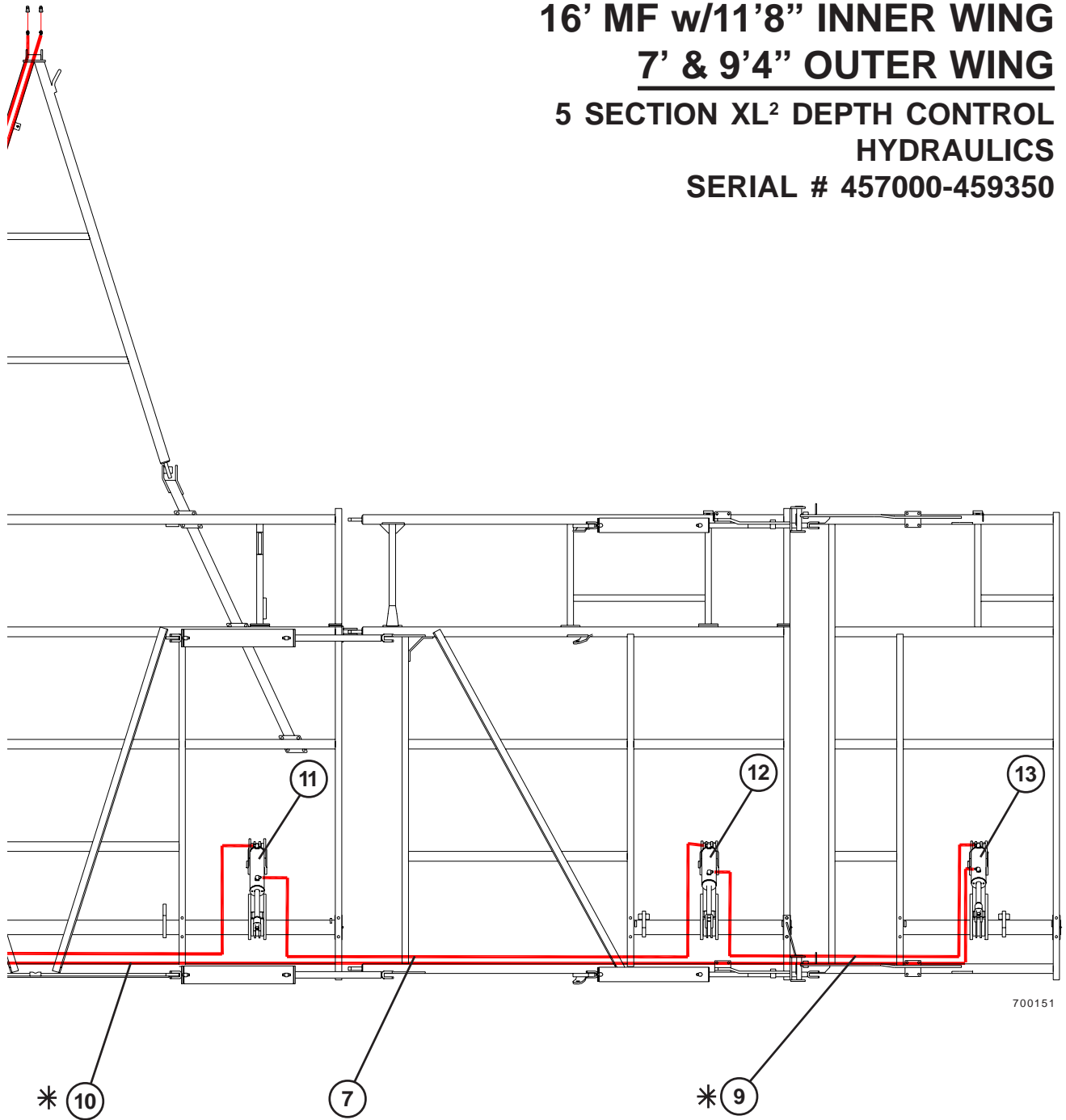
* ADD 3/8" x 30" (13262)
MF HYD HOSE
FOR 9'4" OUTER WINGS

**NOTE: ROD END UP
ON LIFT CYLINDERS**



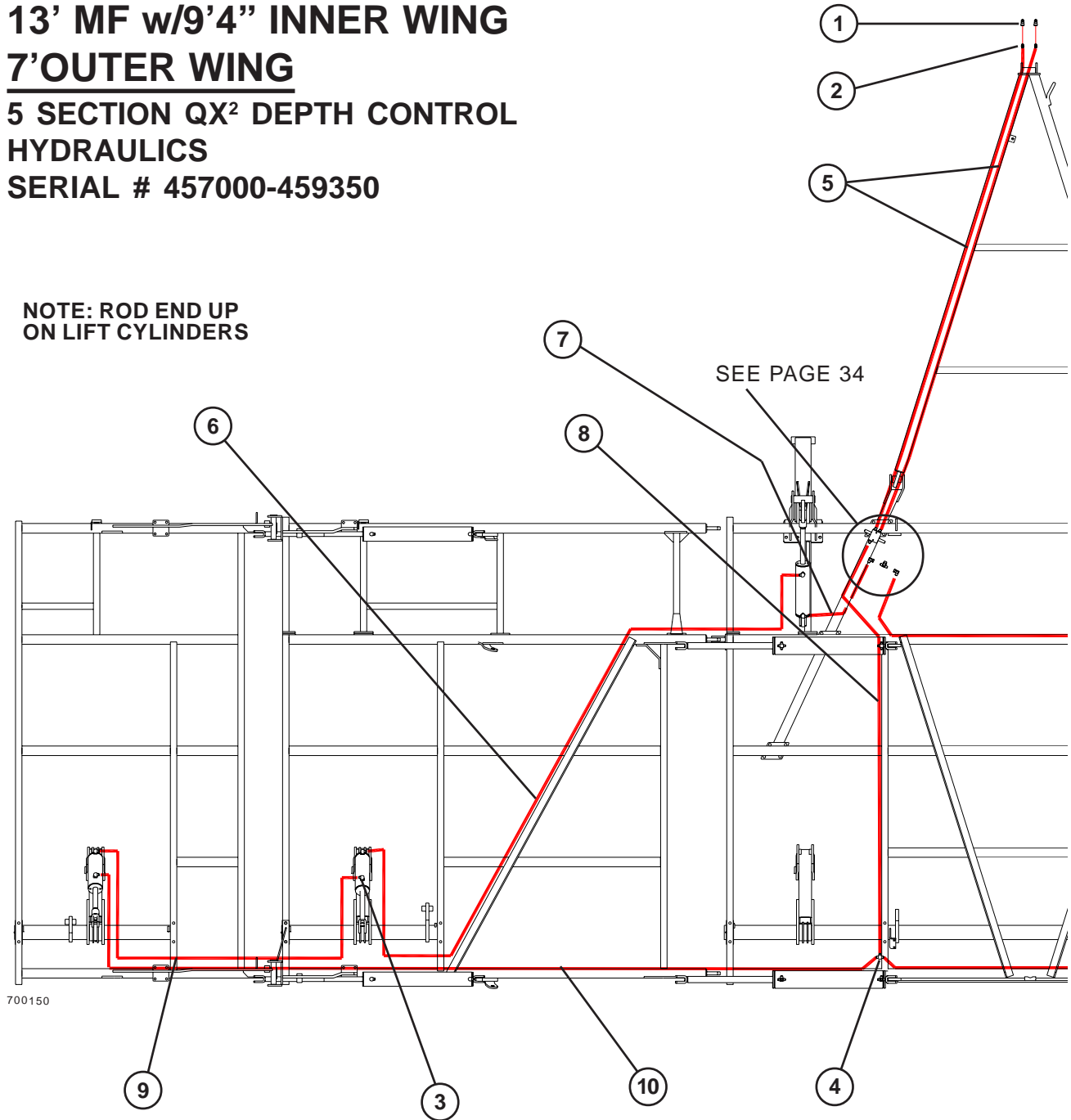
ITEM	PART NO	DESCRIPTION	ITEM	PART NO	DESCRIPTION
1	60640	QUICK DISCONNECT COUPLER	11	67683F1	HYD CYL 4"X12.56" BP FGS A519CY24
2	13234	ADP 8MJ X 8MPT		239904	SEAL KIT 4" BP (FGS SK-ACXL4Q1S)
3	25580	ELB 8MJ X 8MORB	12	67688F1	HYD CYL 4"X10.8" BP FGA A519CY25
4	13238	TEE 8MJ X 8MJ X 8MJ		239904	SEAL KIT 4" BP (FGS SK-ACXL4Q1S)
5	234940	HYD HOSE 1/2"x216" FF	13	67687F1	HYD CYL 4"X9.3" BP FGS A519CY31
6	240604	HYD HOSE 3/8"x300" FF		239904	SEAL KIT 4" BP (FGS SK-ACXL4Q1S)
7	240605	HYD HOSE 3/8"x216" FF	14	220061	1-1/2" CHANNEL LOCK 10"(NOT SHOWN)
8	13484	HYD HOSE 3/8"x156" FF	15	42505	CYLINDER PIN KIT(NOT SHOWN)
9	13483	HYD HOSE 3/8"x120" FF			
10	240611	HYD HOSE 3/8"x360" FF			

**16' MF w/11'8" INNER WING
7' & 9'4" OUTER WING**
**5 SECTION XL² DEPTH CONTROL
HYDRAULICS**
SERIAL # 457000-459350



**13' MF w/9'4" INNER WING
7' OUTER WING
5 SECTION QX² DEPTH CONTROL
HYDRAULICS
SERIAL # 457000-459350**

**NOTE: ROD END UP
ON LIFT CYLINDERS**



ITEM	PART NO	DESCRIPTION
1	60640	QUICK DISCONNECT COUPLER
2	13234	ADP 8MJ X 8MPT
3	25580	ELB 8MJ X 8MORB
4	13238	TEE 8MJ X 8MJ X 8MJ
5	234940	HYD HOSE 1/2"x216" FF
6	67576	HYD HOSE 3/8"x276" FF
7	13265	HYD HOSE 3/8"x56" FF
8	13484	HYD HOSE 3/8"x156" FF
9	13483	HYD HOSE 3/8"x120" FF
10	67576	HYD HOSE 3/8"x276" FF
11	240609	HYD HOSE 3/8"x324" FF

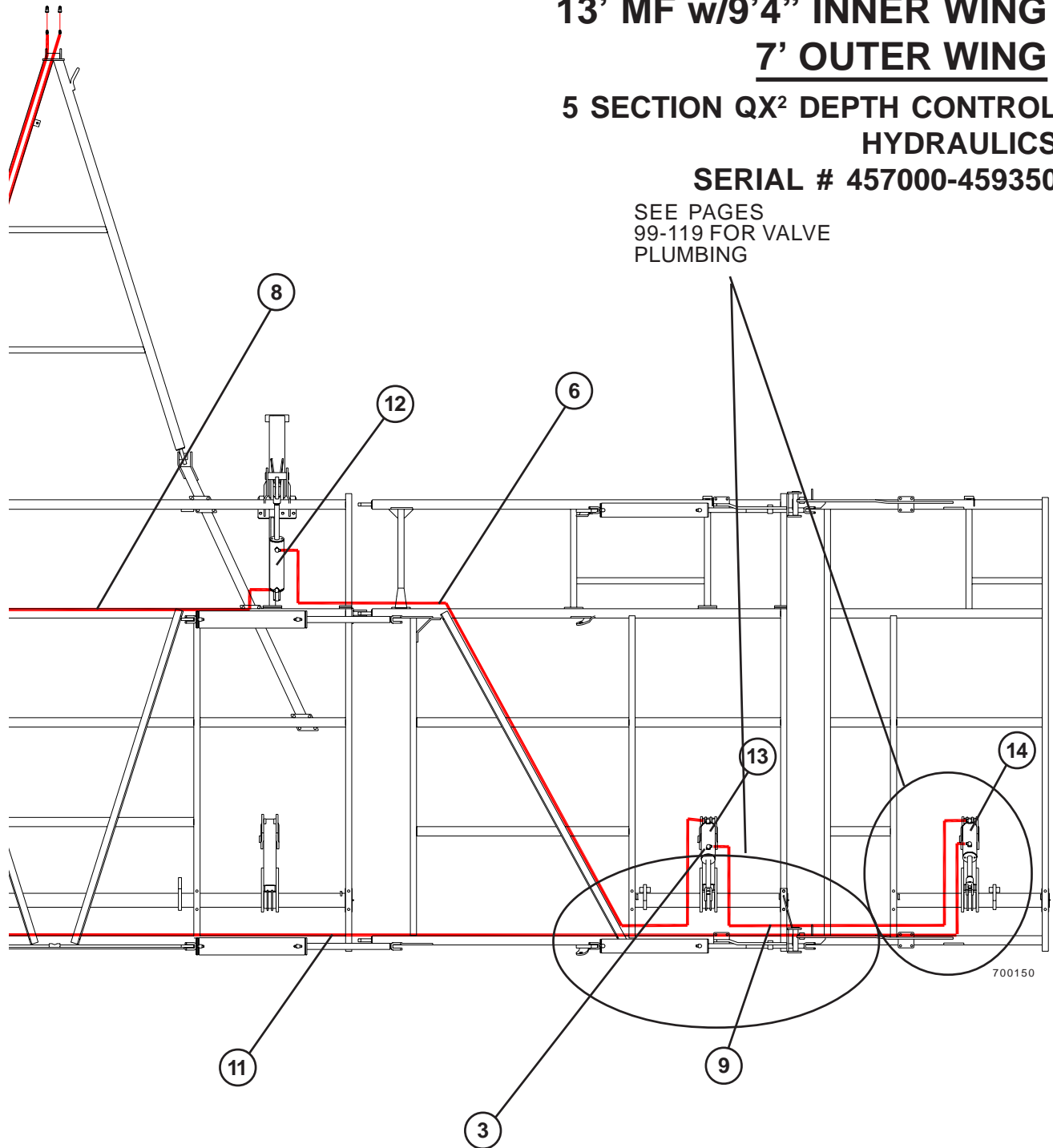
ITEM	PART NO	DESCRIPTION
12	67683F1	HYD CYL 4"x12.56" BP FGS A519CY24
	239904	SEAL KIT 4" BP (FGS SK-ACXL4Q1S)
13	67688F1	HYD CYL 4"x10.8" BP FGAA519CY25
	239904	SEAL KIT 4" BP (FGS SK-ACXL4Q1S)
14	67687F1	HYD CYL 4"x9.3" BP FGS A519CY31
	239904	SEAL KIT 4" BP (FGS SK-ACXL4Q1S)
15	220061	1-1/2" CHANNEL LOCK 10"(NOT SHOWN)
16	42505	CYLINDER PIN KIT(NOT SHOWN)

13' MF w/9'4" INNER WING 7' OUTER WING

5 SECTION QX² DEPTH CONTROL HYDRAULICS

SERIAL # 457000-459350

SEE PAGES
99-119 FOR VALVE
PLUMBING



13' MF w/11'8" INNER WING 7' & 9'4" OUTER WING

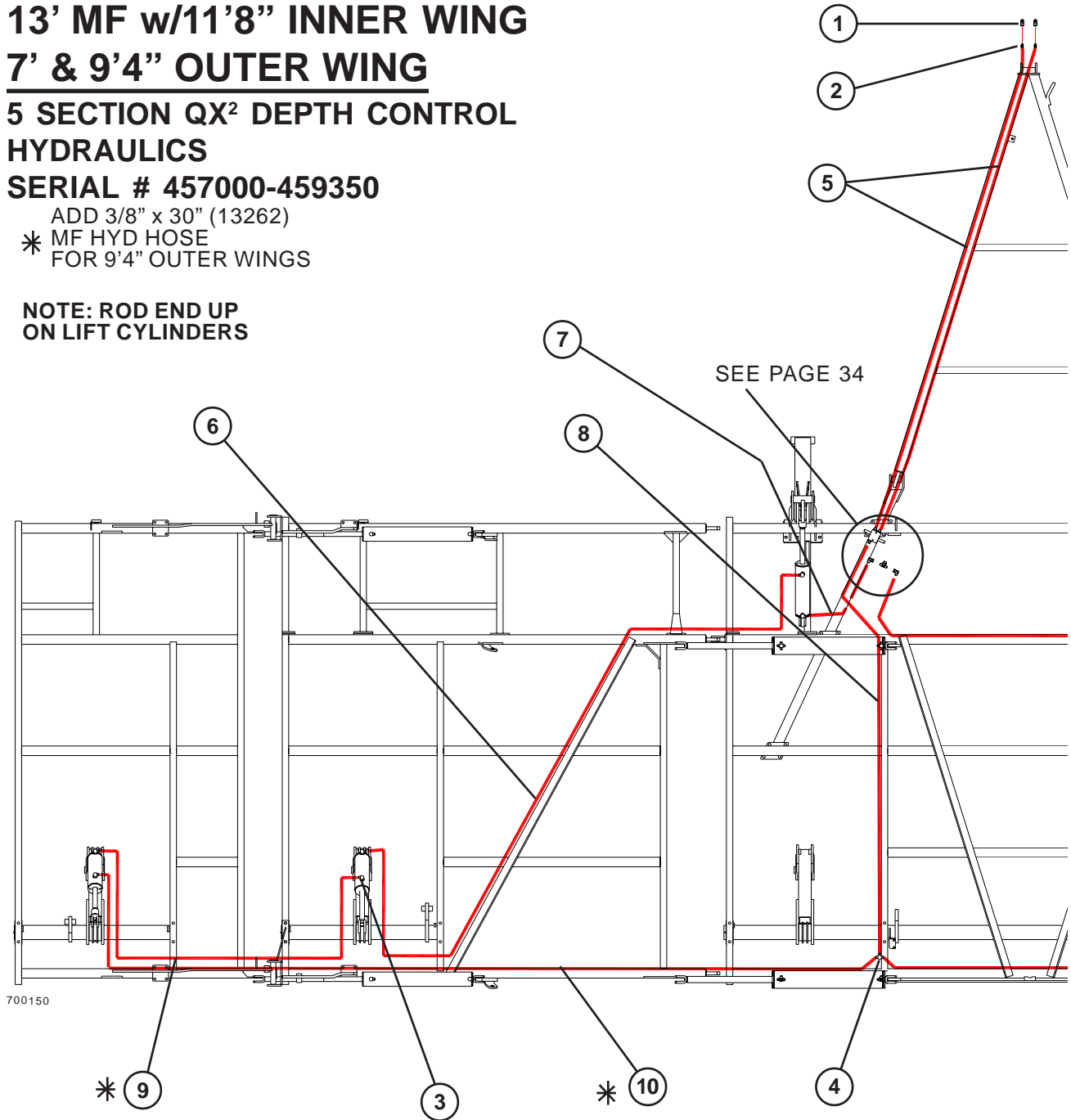
5 SECTION QX² DEPTH CONTROL HYDRAULICS

SERIAL # 457000-459350

ADD 3/8" x 30" (13262)

* MF HYD HOSE
FOR 9'4" OUTER WINGS

**NOTE: ROD END UP
ON LIFT CYLINDERS**



700150

ITEM	PART NO	DESCRIPTION
1	60640	QUICK DISCONNECT COUPLER
2	13234	ADP 8MJ X 8MPT
3	25580	ELB 8MJ X 8MORB
4	13238	TEE 8MJ X 8MJ X 8MJ
5	234940	HYD HOSE 1/2"x216" FF
6	67576	HYD HOSE 3/8"x276" FF
7	13265	HYD HOSE 3/8"x56" FF
8	13484	HYD HOSE 3/8"x156" FF
9	13483	HYD HOSE 3/8"x120" FF
10	240604	HYD HOSE 3/8"x300" FF
11	240609	HYD HOSE 3/8"x324" FF

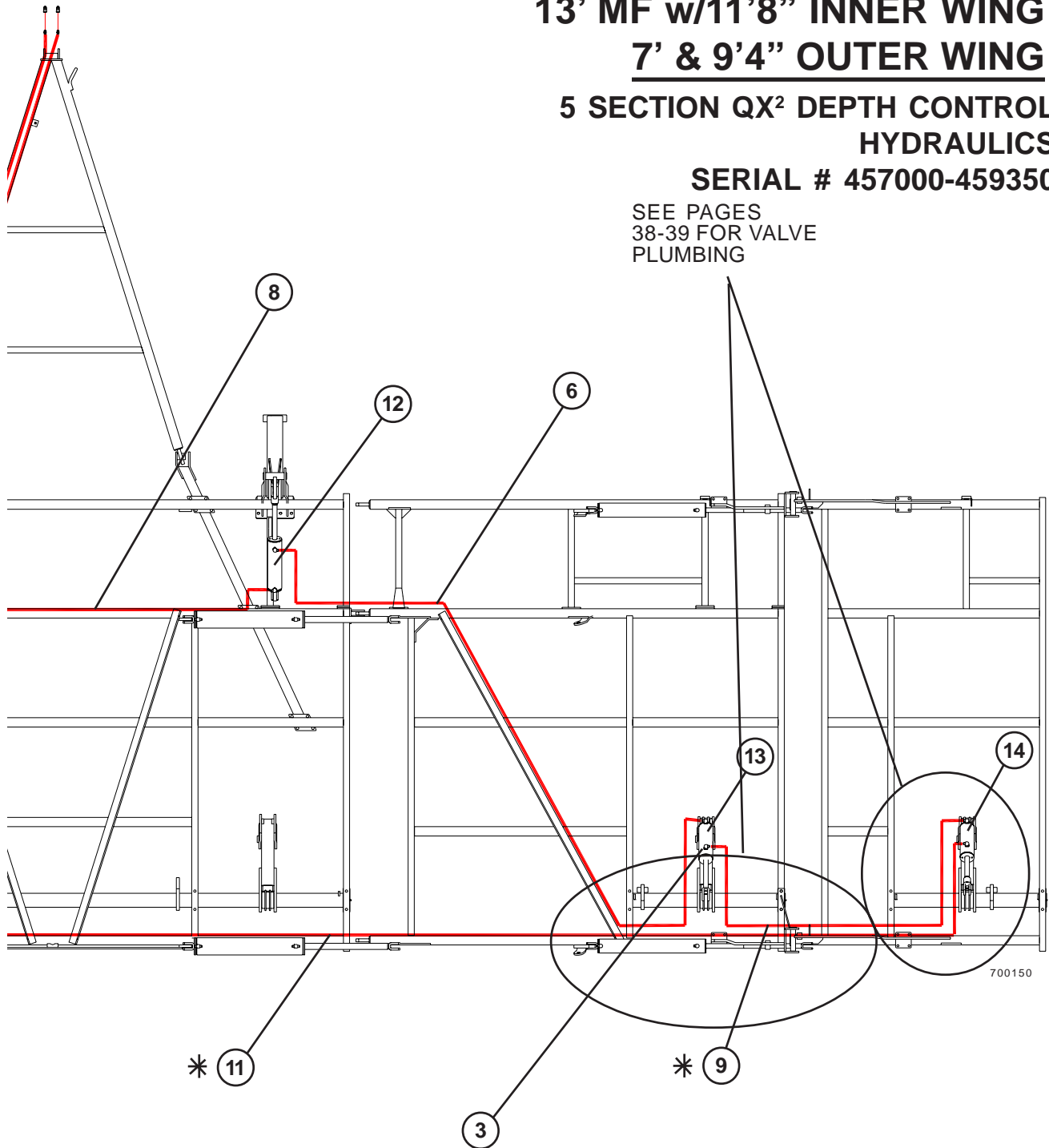
ITEM	PART NO	DESCRIPTION
12	67683F1	HYD CYL 4"x12.56" BP FGS A519CY24
	239904	SEAL KIT 4" BP (FGS SK-ACXL4Q1S)
13	67688F1	HYD CYL 4"x10.8" BP FGAA519CY25
	239904	SEAL KIT 4" BP (FGS SK-ACXL4Q1S)
14	67687F1	HYD CYL 4"x9.3" BP FGS A519CY31
	239904	SEAL KIT 4" BP (FGS SK-ACXL4Q1S)
15	220061	1-1/2" CHANNEL LOCK 10"(NOT SHOWN)
16	42505	CYLINDER PIN KIT(NOT SHOWN)

**13' MF w/11'8" INNER WING
7' & 9'4" OUTER WING**

**5 SECTION QX² DEPTH CONTROL
HYDRAULICS**

SERIAL # 457000-459350

SEE PAGES
38-39 FOR VALVE
PLUMBING



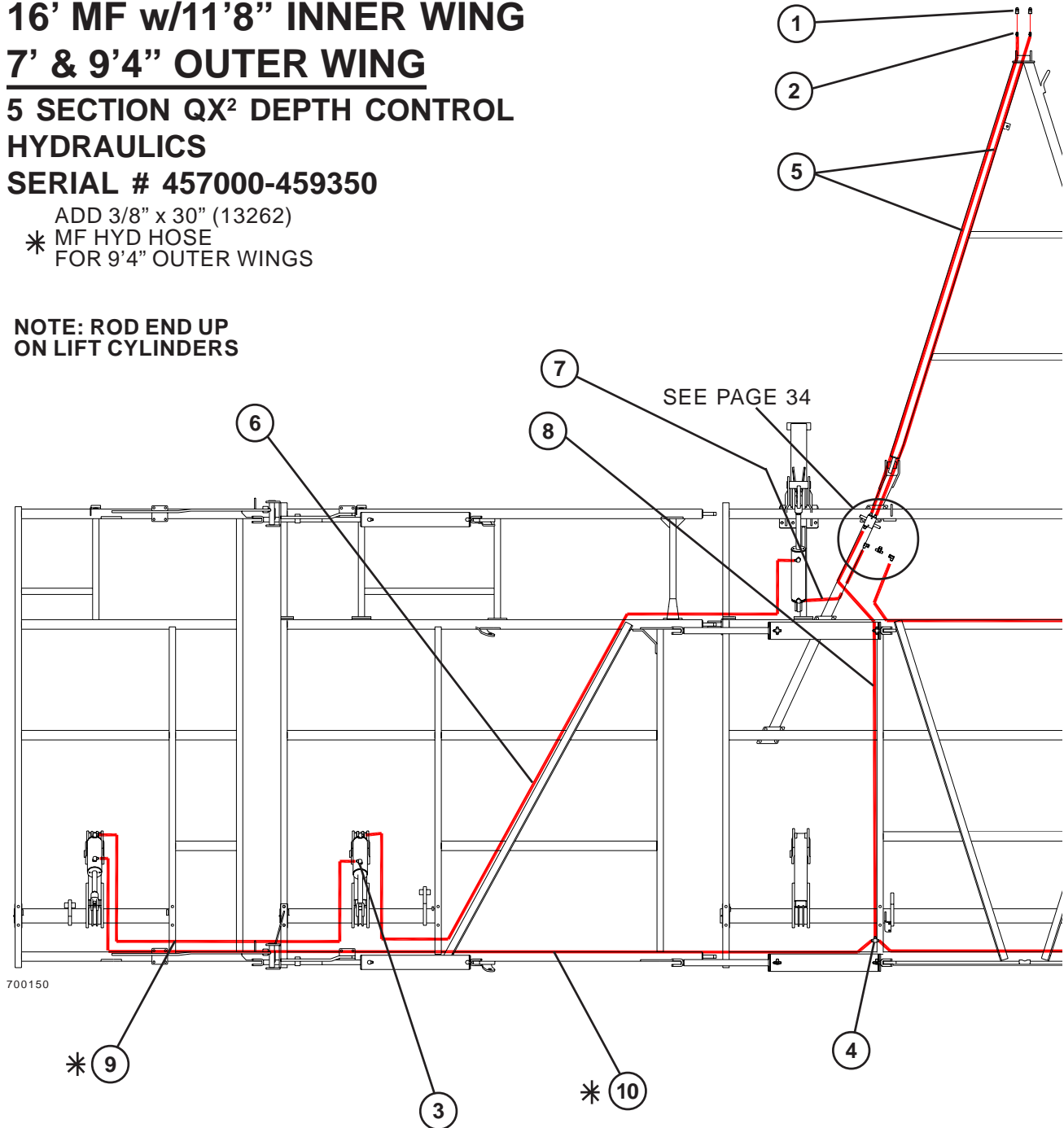
16' MF w/11'8" INNER WING 7' & 9'4" OUTER WING

5 SECTION QX² DEPTH CONTROL HYDRAULICS

SERIAL # 457000-459350

- ADD 3/8" x 30" (13262)
- * MF HYD HOSE FOR 9'4" OUTER WINGS

NOTE: ROD END UP ON LIFT CYLINDERS



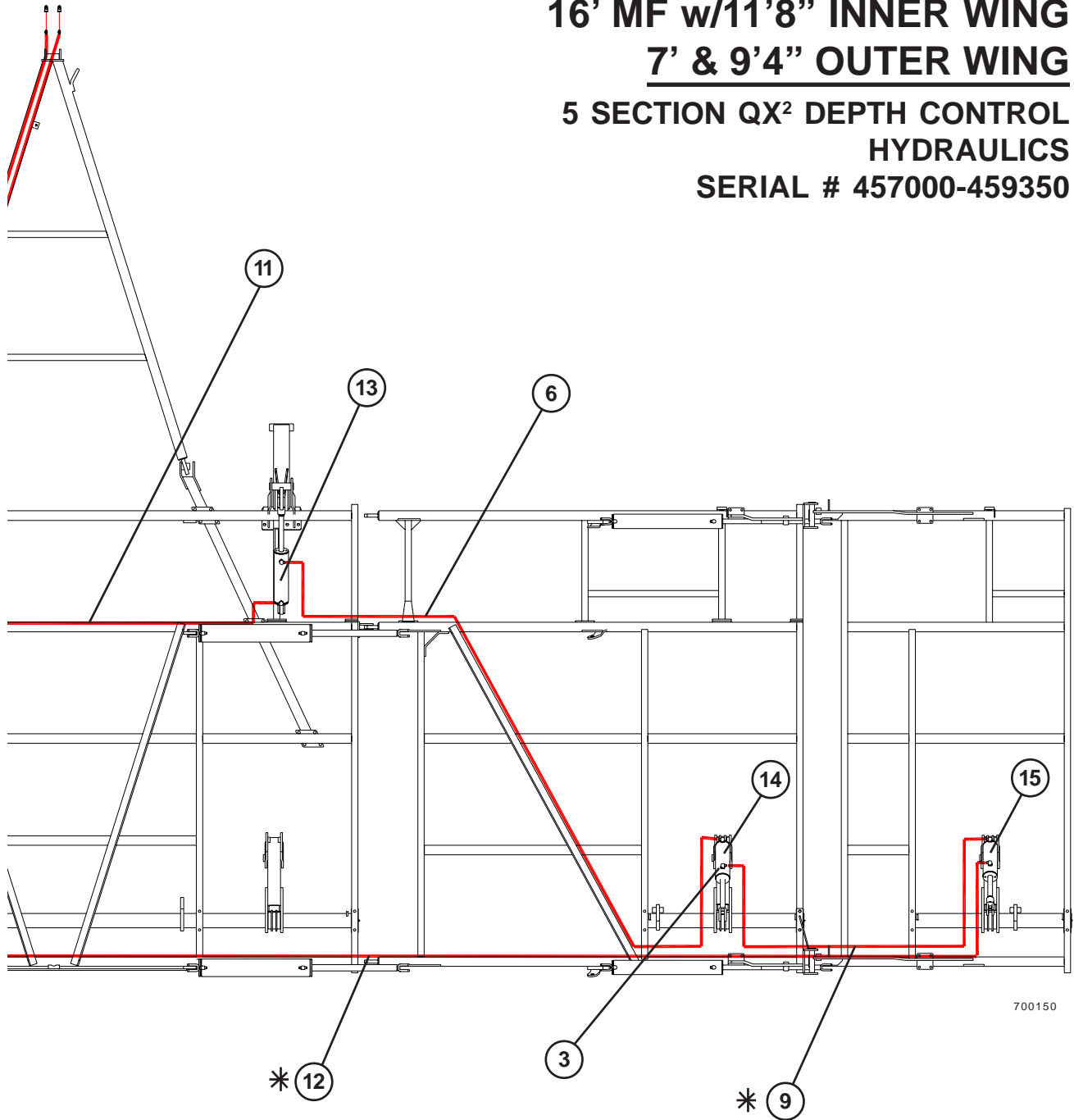
ITEM	PART NO	DESCRIPTION
1	60640	QUICK DISCONNECT COUPLER
2	13234	ADP 8MJ X 8MPT
3	25580	ELB 8MJ X 8MORB
4	13238	TEE 8MJ X 8MJ X 8MJ
5	234940	HYD HOSE 1/2"x216" FF
6	67576	HYD HOSE 3/8"x276" FF
7	13265	HYD HOSE 3/8"x56" FF
8	13484	HYD HOSE 3/8"x156" FF
9	13483	HYD HOSE 3/8"x120" FF
10	240604	HYD HOSE 3/8"x300" FF
11	233689	HYD HOSE 3/8"x180" FF
12	240611	HYD HOSE 3/8"x360" FF

ITEM	PART NO	DESCRIPTION
13	67683F1	HYD CYL 4"X12.56" BP FGS A519CY24
	239904	SEAL KIT 4" BP (FGS SK-ACXL4Q1S)
14	67688F1	HYD CYL 4"X10.8" BP FGAA519CY25
	239904	SEAL KIT 4" BP (FGS SK-ACXL4Q1S)
15	67687F1	HYD CYL 4"X9.3" BP FGS A519CY31
	239904	SEAL KIT 4" BP (FGS SK-ACXL4Q1S)
16	220061	1-1/2" CHANNEL LOCK 10"(NOT SHOWN)
17	42505	CYLINDER PIN KIT(NOT SHOWN)

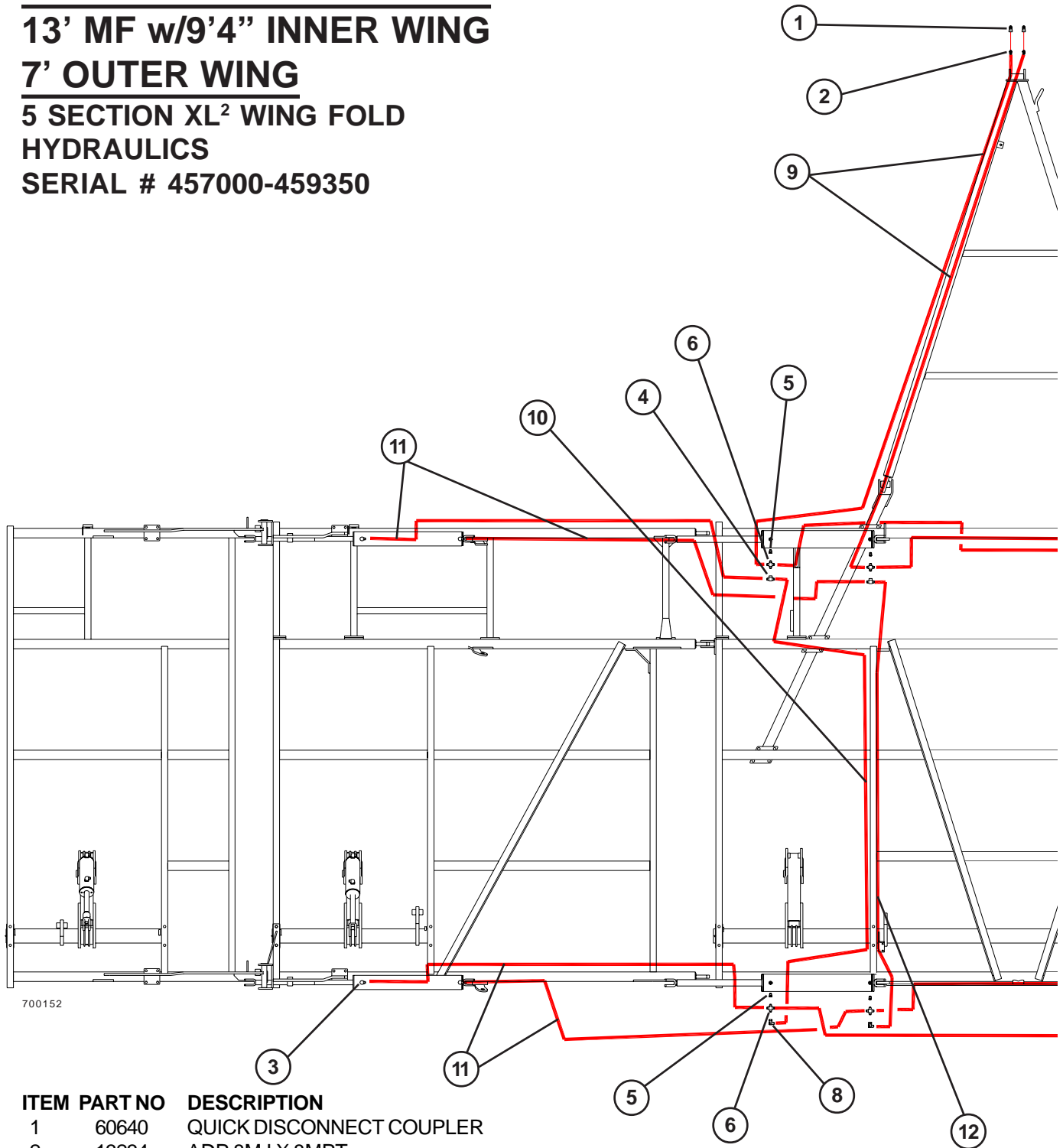
**16' MF w/11'8" INNER WING
7' & 9'4" OUTER WING**

**5 SECTION QX² DEPTH CONTROL
HYDRAULICS**

SERIAL # 457000-459350



13' MF w/9'4" INNER WING
7' OUTER WING
5 SECTION XL² WING FOLD
HYDRAULICS
SERIAL # 457000-459350



700152

ITEM	PART NO	DESCRIPTION
1	60640	QUICK DISCONNECT COUPLER
2	13234	ADP 8MJ X 8MPT
3	25580	ELB 8MJ X 8MORB
4	69080	TEE 8MJ X 8MJ X 8FJX
5	24004	ADP 8MORB X 8FJX
6	15910	CROSS 8MJ x 8MJ x 8MJ x 8MJ
7	56534	TEE 8MJ x 8MJ x 8MORB
8	25591	ELB 8MJ X 8FJX
9	233688	HYD HOSE 3/8"x252" FF
10	240605	HYD HOSE 3/8"x216" FF
11	235388	HYD HOSE 3/8"x102" FF
12	13484	HYD HOSE 3/8"x156" FF
13	13268	HYD HOSE 3/8"x78" FF

ITEM	PART NO	DESCRIPTION
14	20966F	HYD CYL 5X30 FGS #A519CY07
	233731	SEAL KIT 5IN (FGS-SK-ACBX5Q2Q)
15	51229F	HYD CYL 4X30 FGS #A519CY02
	233730	SEAL KIT 4IN (FGS-SK-ACBS4Q1S)

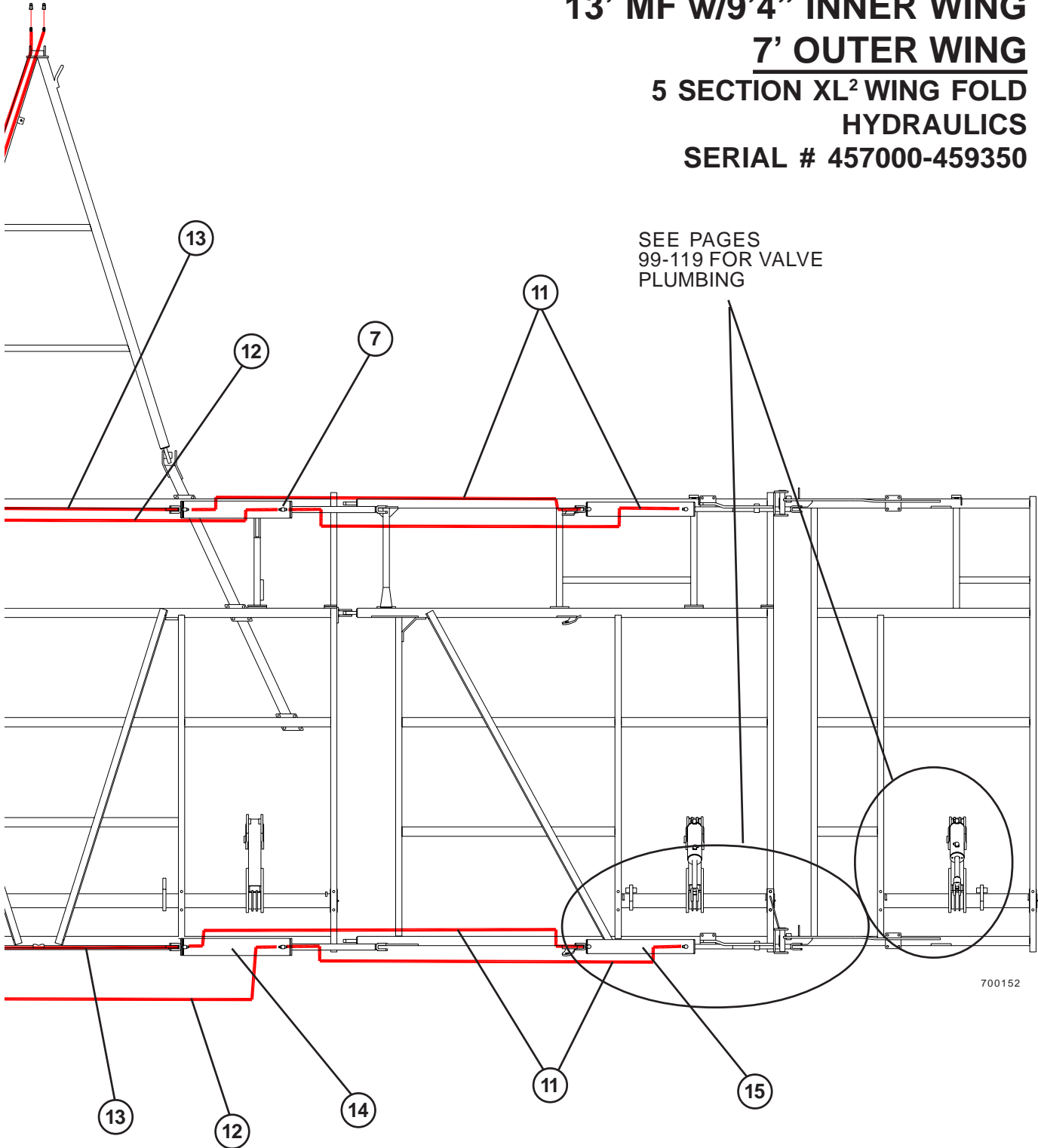
13' MF w/9'4" INNER WING

7' OUTER WING

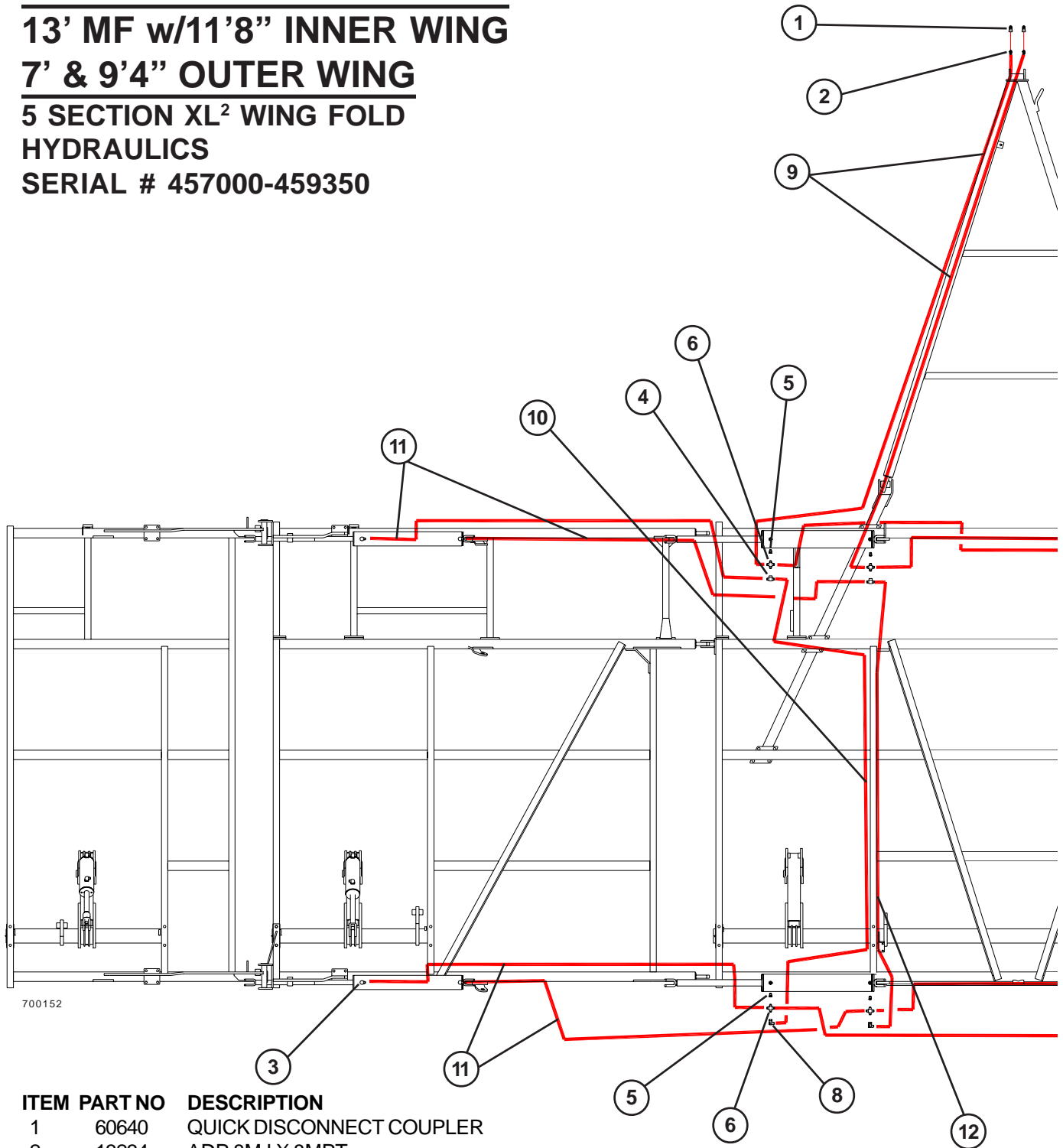
5 SECTION XL² WING FOLD

HYDRAULICS

SERIAL # 457000-459350



13' MF w/11'8" INNER WING
7' & 9'4" OUTER WING
5 SECTION XL² WING FOLD
HYDRAULICS
SERIAL # 457000-459350

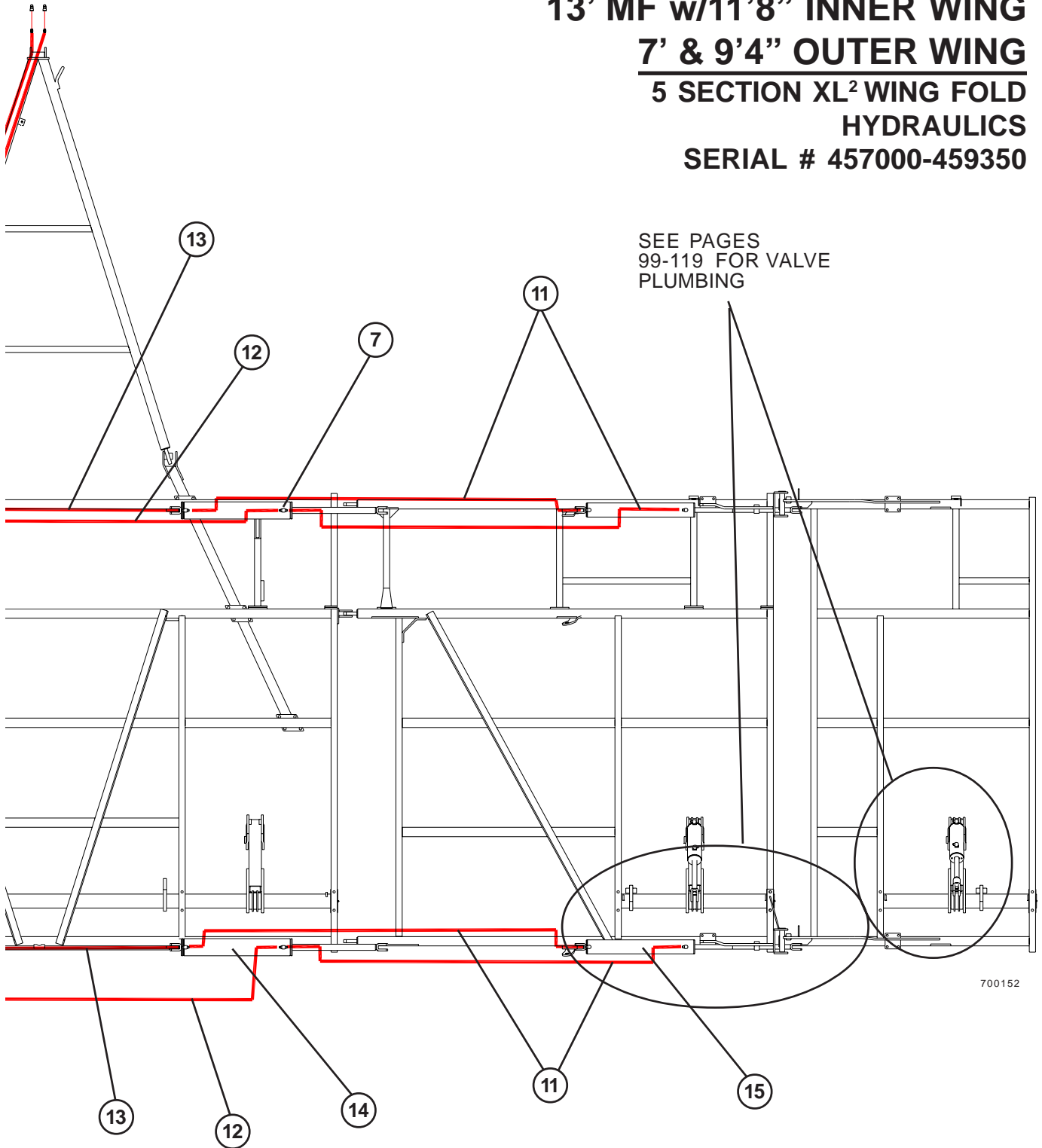


700152

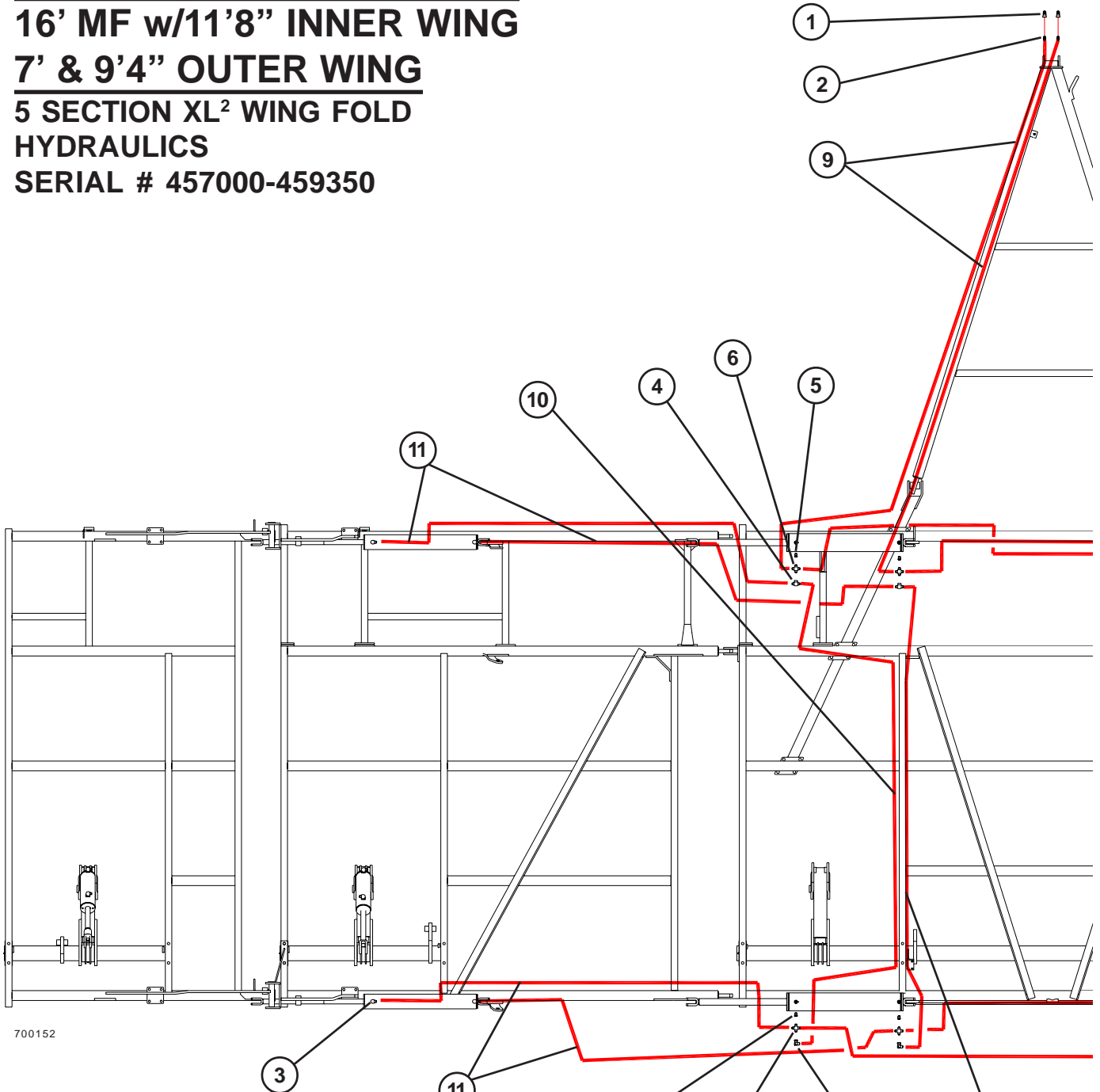
ITEM	PART NO	DESCRIPTION
1	60640	QUICK DISCONNECT COUPLER
2	13234	ADP 8MJ X 8MPT
3	25580	ELB 8MJ X 8MORB
4	69080	TEE 8MJ X 8MJ X 8FJX
5	24004	ADP 8MORB X 8FJX
6	15910	CROSS 8MJ x 8MJ x 8MJ x 8MJ
7	56534	TEE 8MJ x 8MJ x 8MORB
8	25591	ELB 8MJ X 8FJX
9	233688	HYD HOSE 3/8"x252" FF
10	240605	HYD HOSE 3/8"x216" FF
11	235386	HYD HOSE 3/8"x137" FF
12	13484	HYD HOSE 3/8"x156" FF
13	13268	HYD HOSE 3/8"x78" FF

ITEM	PART NO	DESCRIPTION
14	20966F	HYD CYL 5X30 FGS #A519CY07
	233731	SEAL KIT 5IN (FGS-SK-ACBX5Q2Q)
15	51229F	HYD CYL 4X30 FGS #A519CY02
	233730	SEAL KIT 4IN (FGS-SK-ACBS4Q1S)

13' MF w/11'8" INNER WING
7' & 9'4" OUTER WING
5 SECTION XL² WING FOLD
HYDRAULICS
SERIAL # 457000-459350



16' MF w/11'8" INNER WING
7' & 9'4" OUTER WING
5 SECTION XL² WING FOLD
HYDRAULICS
SERIAL # 457000-459350

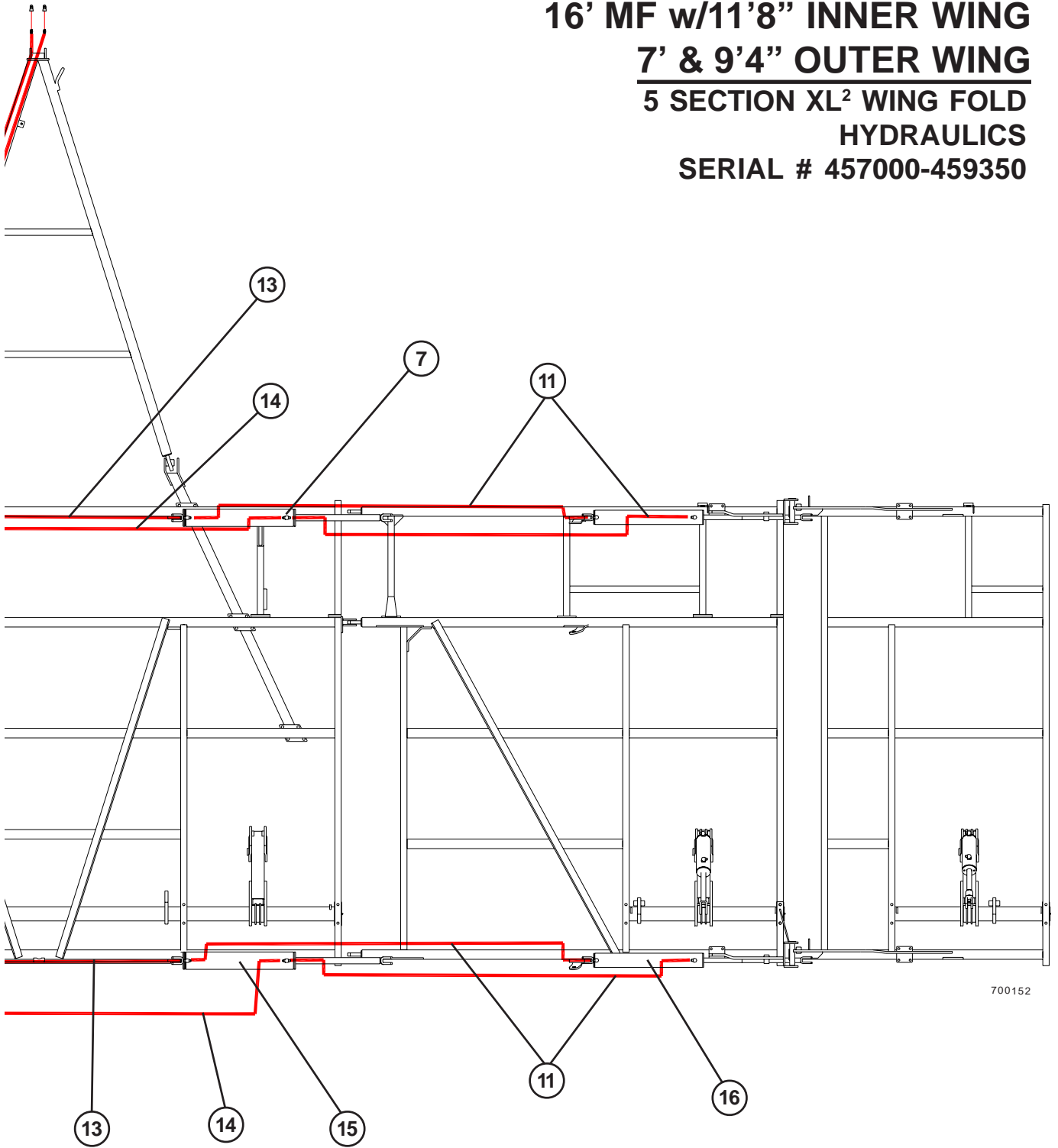


700152

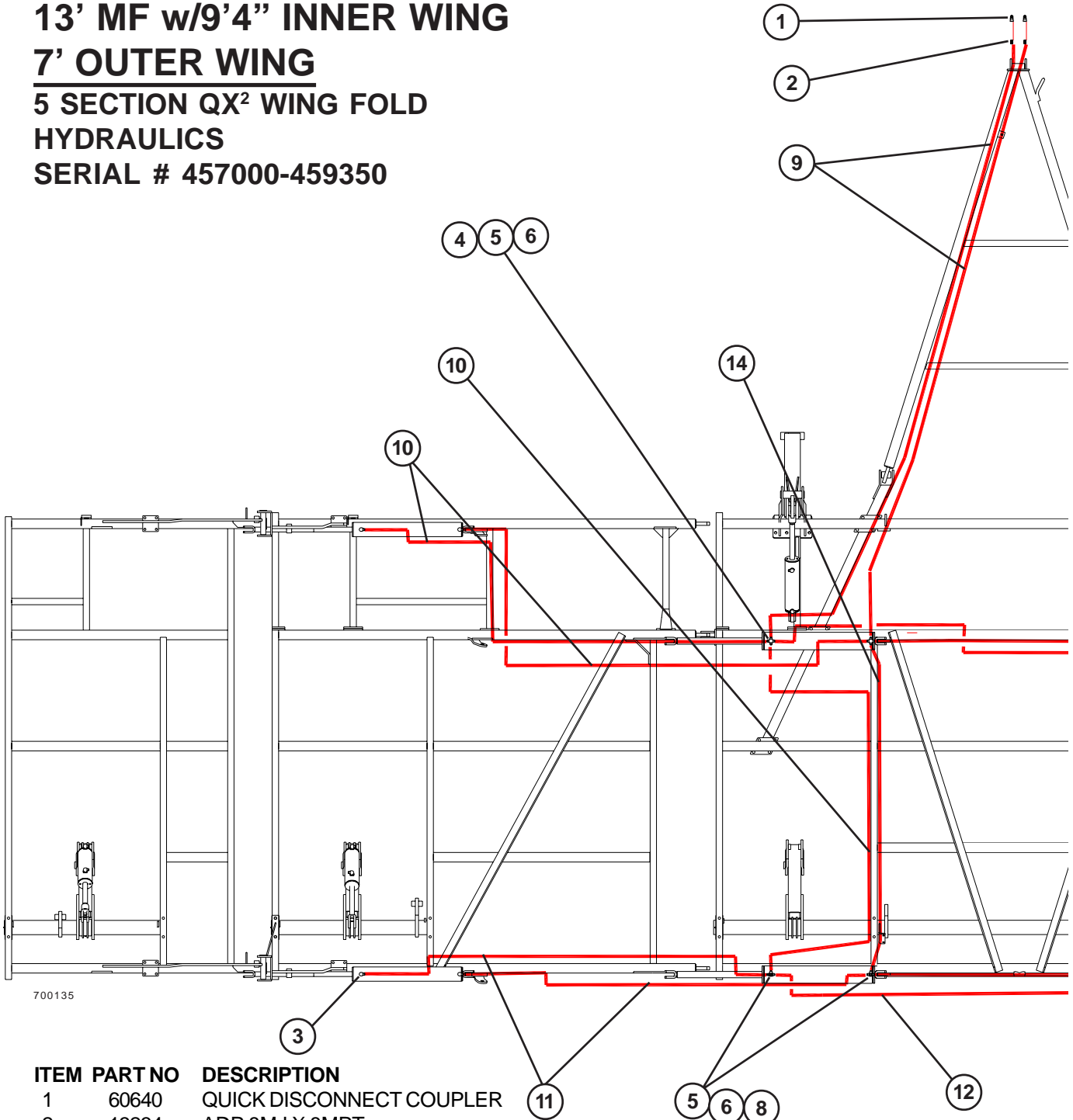
ITEM	PART NO	DESCRIPTION
1	60640	QUICK DISCONNECT COUPLER
2	13234	ADP 8MJ X 8MPT
3	25580	ELB 8MJ X 8MORB
4	69080	TEE 8MJ X 8MJ X 8FJX
5	24004	ADP 8MORB X 8FJX
6	15910	CROSS 8MJ x 8MJ x 8MJ x 8MJ
7	56534	TEE 8MJ x 8MJ x 8MORB
8	25591	ELB 8MJ X 8FJX
9	233688	HYD HOSE 3/8"x252" FF
10	240605	HYD HOSE 3/8"x216" FF
11	235386	HYD HOSE 3/8"x137" FF
12	13484	HYD HOSE 3/8"x156" FF

ITEM	PART NO	DESCRIPTION
13	235388	HYD HOSE 3/8"x102" FF
14	235387	HYD HOSE 3/8"x168" FF
15	20966F	HYD CYL 5X30 FGS #A519CY07
	233731	SEAL KIT 5IN (FGS-SK-ACBX5Q2Q)
16	51229F	HYD CYL 4X30 FGS #A519CY02
	233730	SEAL KIT 4IN (FGS-SK-ACBS4Q1S)

16' MF w/11'8" INNER WING
7' & 9'4" OUTER WING
5 SECTION XL² WING FOLD
HYDRAULICS
SERIAL # 457000-459350



13' MF w/9'4" INNER WING
7' OUTER WING
5 SECTION QX² WING FOLD
HYDRAULICS
SERIAL # 457000-459350



ITEM	PART NO	DESCRIPTION
1	60640	QUICK DISCONNECT COUPLER
2	13234	ADP 8MJ X 8MPT
3	25580	ELB 8MJ X 8MORB
4	69080	TEE 8MJ X 8MJ X 8FJX
5	24004	ADP 8MORB X 8FJX
6	15910	CROSS 8MJ x 8MJ x 8MJ x 8MJ
7	56534	TEE 8MJ x 8MJ x 8MORB
8	25591	ELB 8MJ X 8FJX
9	233688	HYD HOSE 3/8"x252" FF
10	13484	HYD HOSE 3/8"x156" FF
11	13483	HYD HOSE 3/8"x120" FF
12	13484	HYD HOSE 3/8"x156" FF
13	13268	HYD HOSE 3/8"x78" FF
14	13483	HYD HOSE 3/8"x120" FF

ITEM	PART NO	DESCRIPTION
15	20966F	HYD CYL 5X30 FGS #A519CY07
	233731	SEAL KIT 5IN (FGS-SK-ACBX5Q2Q)
16	51229F	HYD CYL 4X30 FGS #A519CY02
	233730	SEAL KIT 4IN (FGS-SK-ACBS4Q1S)

13' MF w/9'4" INNER WING

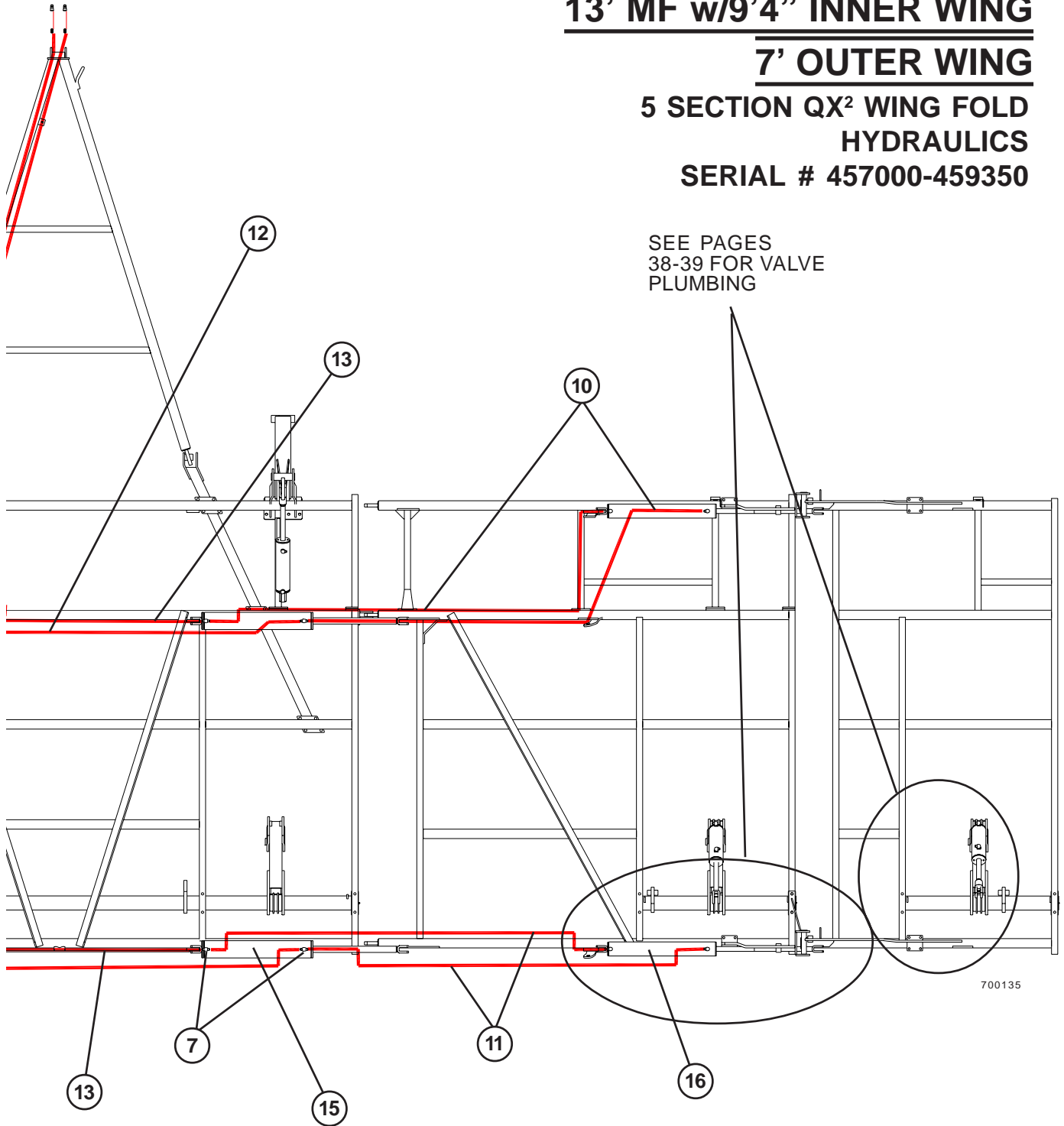
7' OUTER WING

5 SECTION QX² WING FOLD

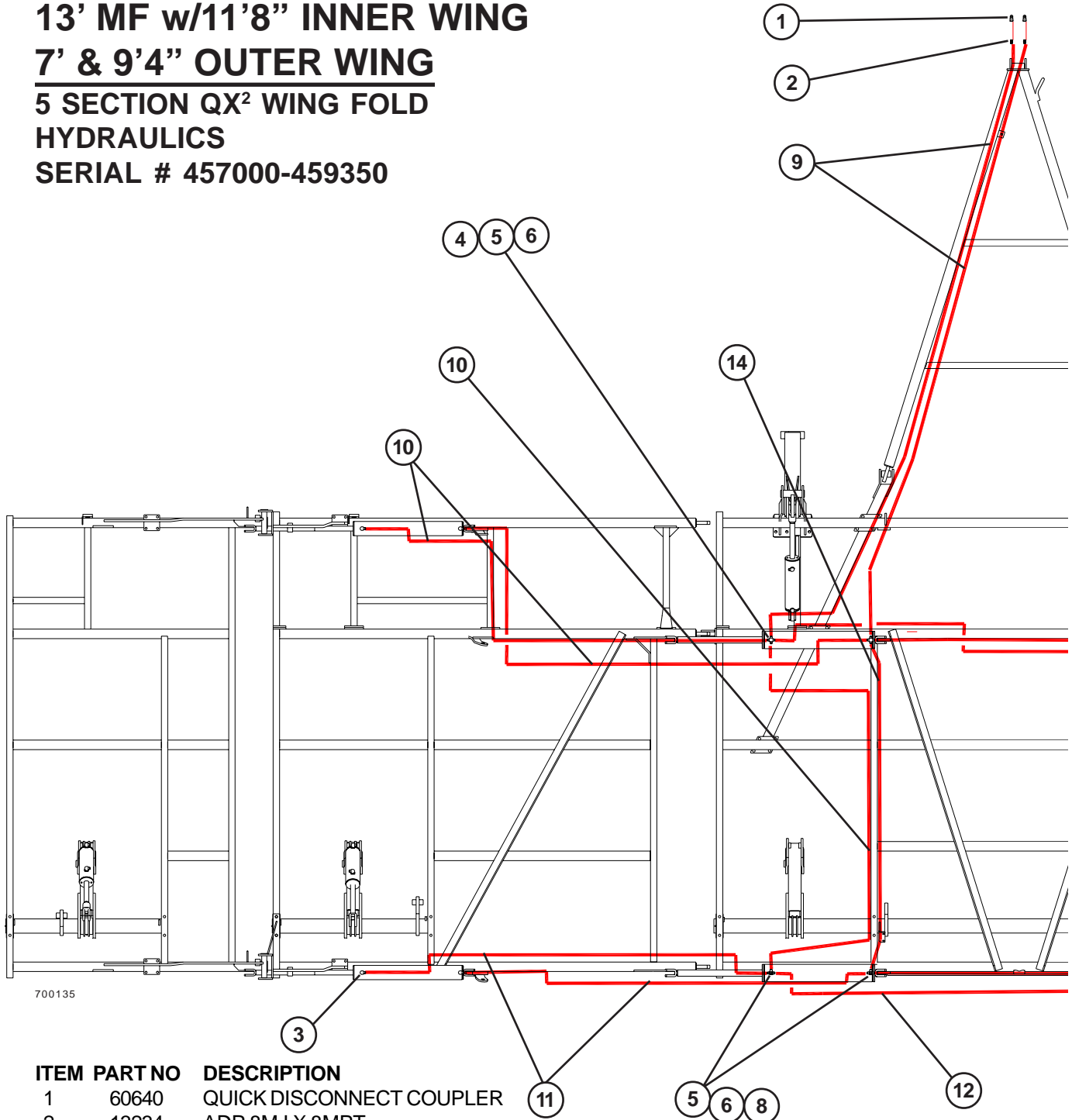
HYDRAULICS

SERIAL # 457000-459350

SEE PAGES
38-39 FOR VALVE
PLUMBING



13' MF w/11'8" INNER WING
7' & 9'4" OUTER WING
5 SECTION QX² WING FOLD
HYDRAULICS
SERIAL # 457000-459350

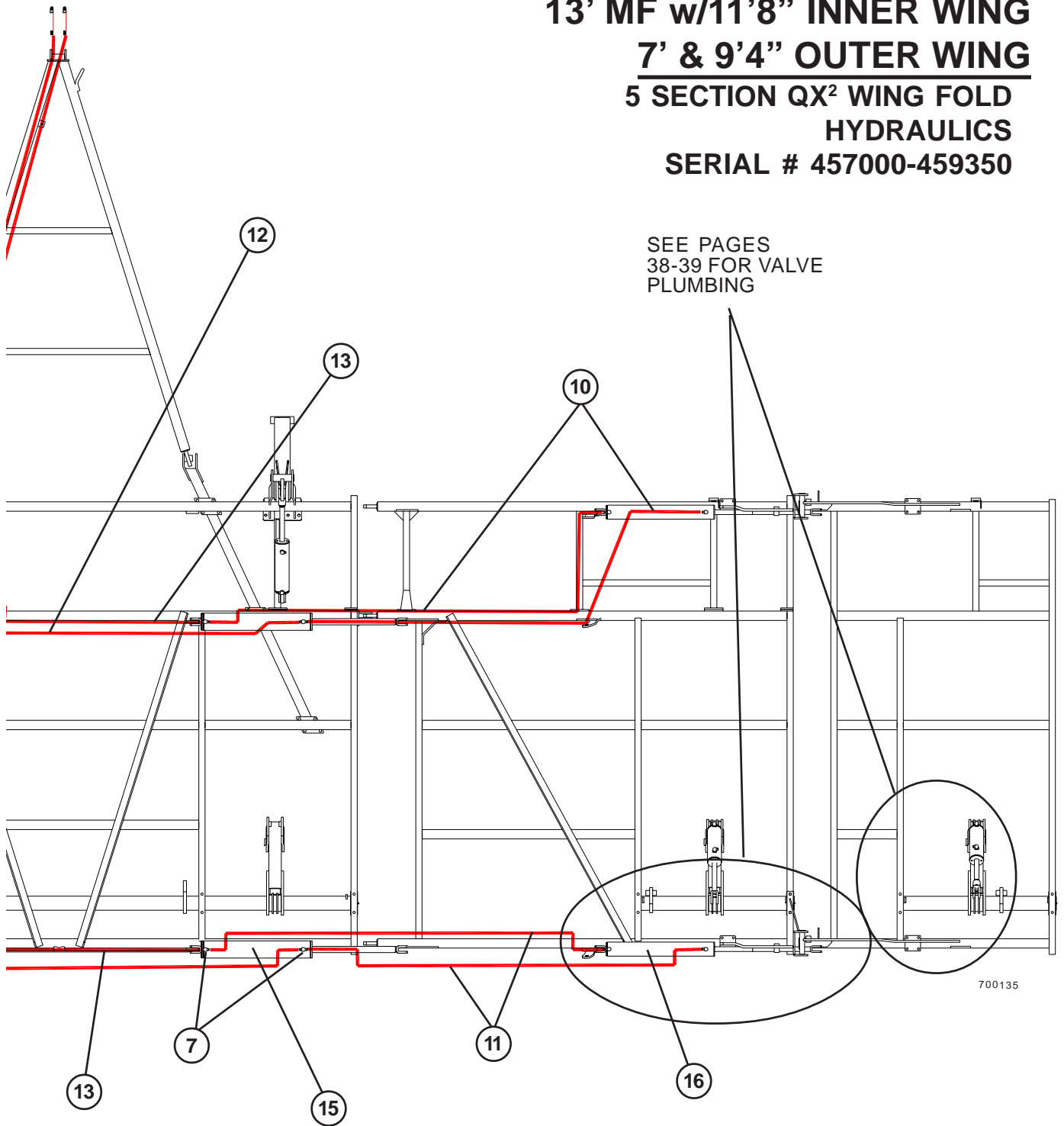


700135

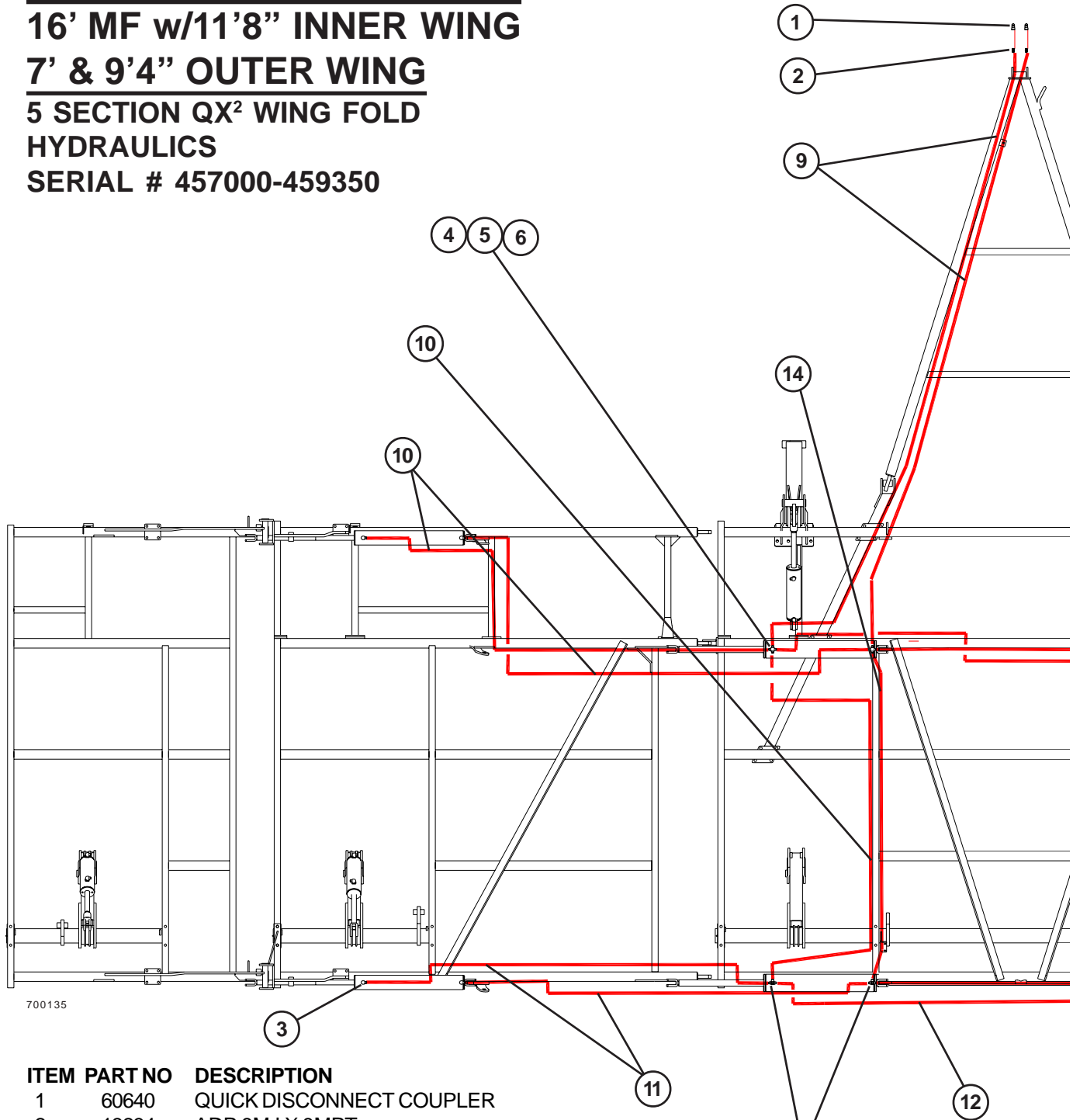
ITEM	PART NO	DESCRIPTION
1	60640	QUICK DISCONNECT COUPLER
2	13234	ADP 8MJ X 8MPT
3	25580	ELB 8MJ X 8MORB
4	69080	TEE 8MJ X 8MJ X 8FJX
5	24004	ADP 8MORB X 8FJX
6	15910	CROSS 8MJ x 8MJ x 8MJ x 8MJ
7	56534	TEE 8MJ x 8MJ x 8MORB
8	25591	ELB 8MJ X 8FJX
9	233688	HYD HOSE 3/8"x252" FF
10	233689	HYD HOSE 3/8"x180" FF
11	235386	HYD HOSE 3/8"x137" FF
12	13484	HYD HOSE 3/8"x156" FF
13	13268	HYD HOSE 3/8"x78" FF
14	13483	HYD HOSE 3/8"x120" FF

ITEM	PART NO	DESCRIPTION
15	20966F	HYD CYL 5X30 FGS #A519CY07
	233731	SEAL KIT 5IN (FGS-SK-ACBX5Q2Q)
16	51229F	HYD CYL 4X30 FGS #A519CY02
	233730	SEAL KIT 4IN (FGS-SK-ACBS4Q1S)

**13' MF w/11'8" INNER WING
7' & 9'4" OUTER WING
5 SECTION QX² WING FOLD
HYDRAULICS
SERIAL # 457000-459350**



16' MF w/11'8" INNER WING
7' & 9'4" OUTER WING
5 SECTION QX² WING FOLD
HYDRAULICS
SERIAL # 457000-459350

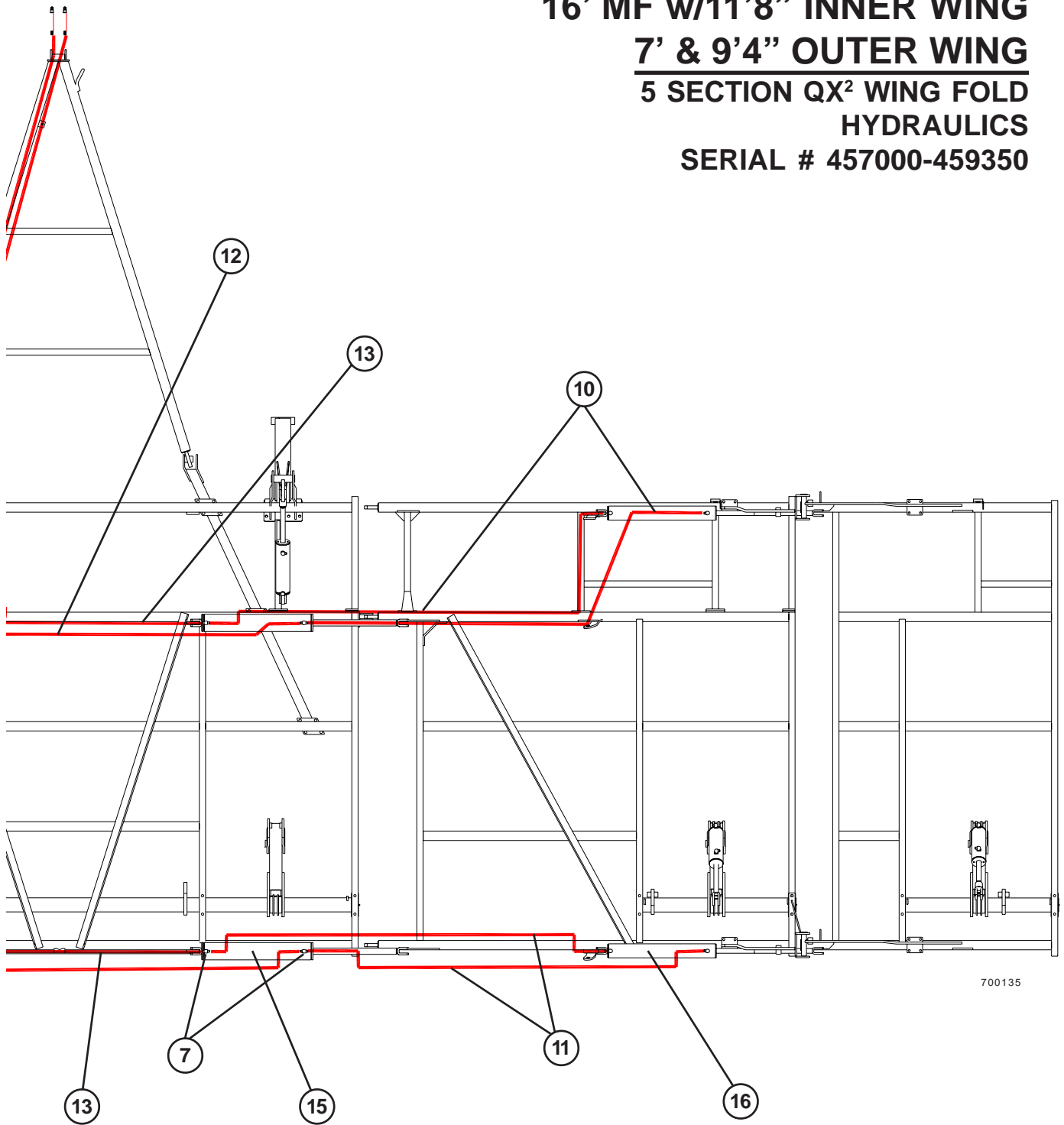


700135

ITEM	PART NO	DESCRIPTION
1	60640	QUICK DISCONNECT COUPLER
2	13234	ADP 8MJ X 8MPT
3	25580	ELB 8MJ X 8MORB
4	69080	TEE 8MJ X 8MJ X 8FJX
5	24004	ADP 8MORB X 8FJX
6	15910	CROSS 8MJ x 8MJ x 8MJ x 8MJ
7	56534	TEE 8MJ x 8MJ x 8MORB
8	25591	ELB 8MJ X 8FJX
9	233688	HYD HOSE 3/8"x252" FF
10	233689	HYD HOSE 3/8"x180" FF
11	235386	HYD HOSE 3/8"x137" FF
12	235387	HYD HOSE 3/8"x168" FF
13	235388	HYD HOSE 3/8"x102" FF
14	13483	HYD HOSE 3/8"x120" FF

ITEM	PART NO	DESCRIPTION
15	20966F	HYD CYL 5X30 FGS #A519CY07
	233731	SEAL KIT 5IN (FGS-SK-ACBX5Q2Q)
16	51229F	HYD CYL 4X30 FGS #A519CY02
	233730	SEAL KIT 4IN (FGS-SK-ACBS4Q1S)

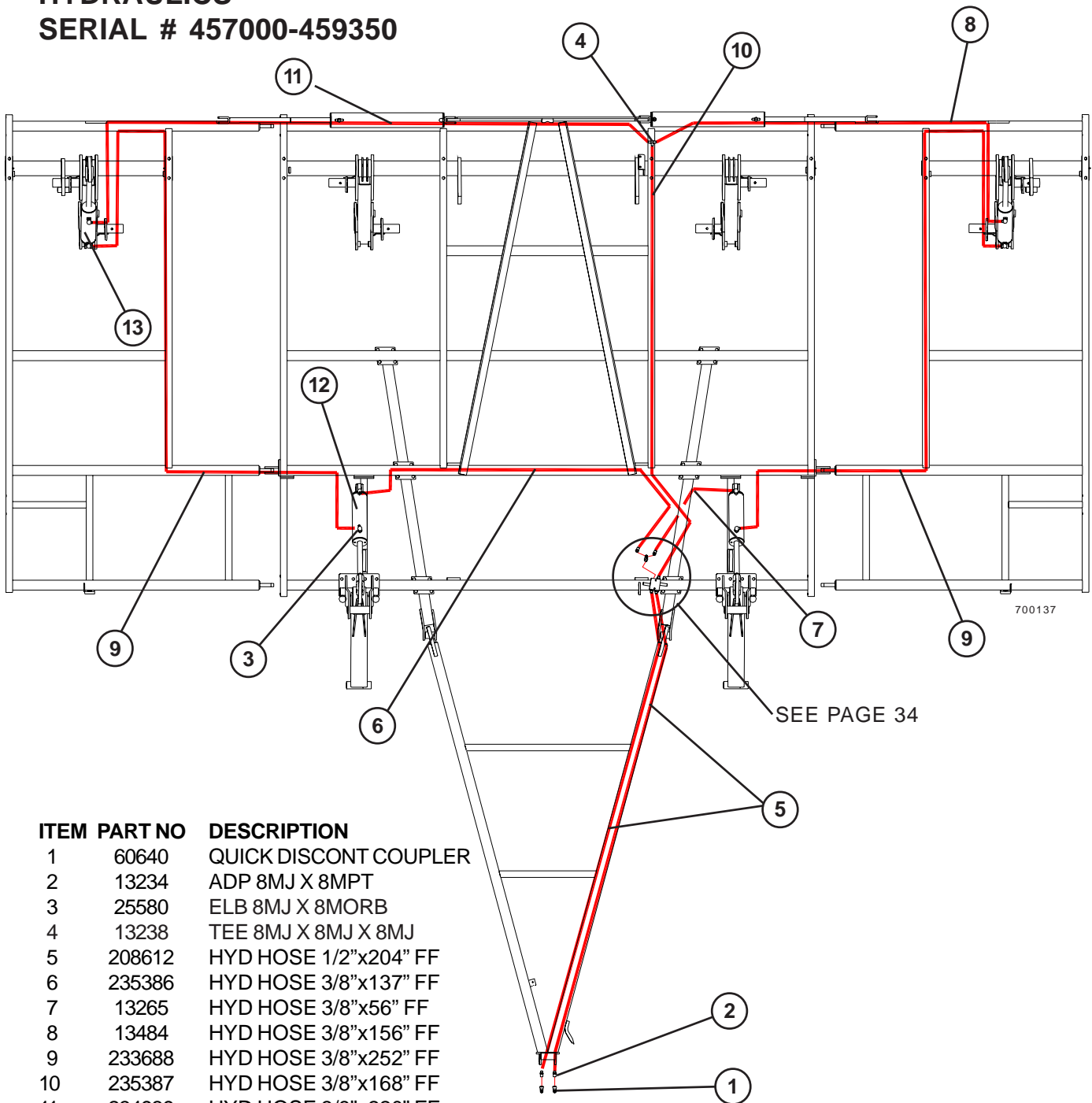
16' MF w/11'8" INNER WING
7' & 9'4" OUTER WING
5 SECTION QX² WING FOLD
HYDRAULICS
SERIAL # 457000-459350



13' MF w/7' WING

QX² DEPTH CONTROL HYDRAULICS

SERIAL # 457000-459350

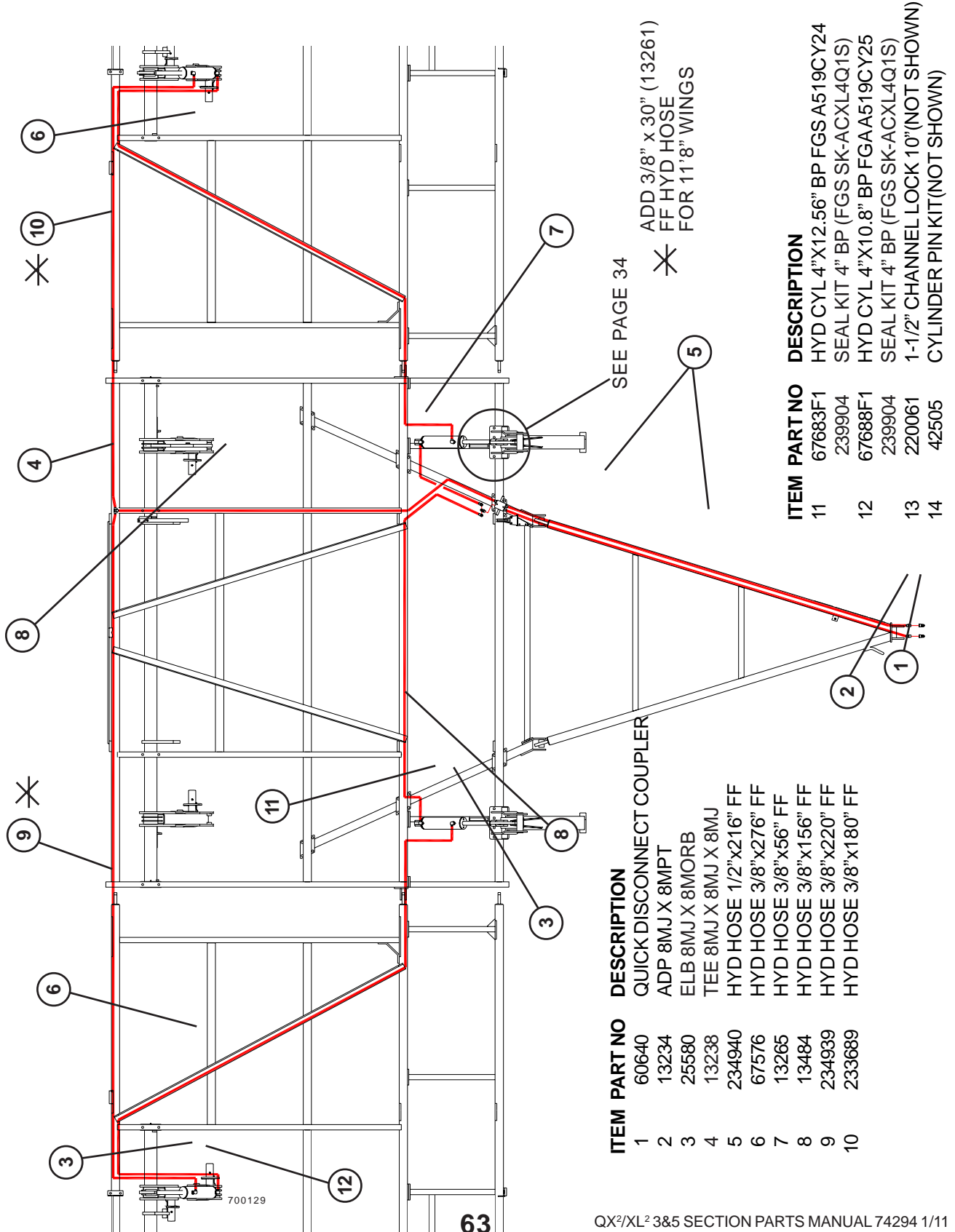


ITEM	PART NO	DESCRIPTION
1	60640	QUICK DISCONT COUPLER
2	13234	ADP 8MJ X 8MPT
3	25580	ELB 8MJ X 8MORB
4	13238	TEE 8MJ X 8MJ X 8MJ
5	208612	HYD HOSE 1/2"x204" FF
6	235386	HYD HOSE 3/8"x137" FF
7	13265	HYD HOSE 3/8"x56" FF
8	13484	HYD HOSE 3/8"x156" FF
9	233688	HYD HOSE 3/8"x252" FF
10	235387	HYD HOSE 3/8"x168" FF
11	234939	HYD HOSE 3/8"x220" FF
12	67683F1	HYD CYL 4"X12.56" BP FGS A519CY24
	239904	SEAL KIT 4" BP (FGS SK-ACXL4Q1S)
13	67688F1	HYD CYL 4"X10.8" BP FGAA519CY25
	239904	SEAL KIT 4" BP (FGS SK-ACXL4Q1S)
14	220061	1-1/2" CHANNEL LOCK 10"(NOT SHOWN)
15	42505	CYLINDER PIN KIT(NOT SHOWN)

13' MF w/9' 4" & 11' 8" WING

QX² DEPTH CONTROL HYDRAULICS

SERIAL # 457000-459350



ITEM	PART NO	DESCRIPTION
1	60640	QUICK DISCONNECT COUPLER
2	13234	ADP 8MJ X 8MPT
3	25580	ELB 8MJ X 8MORB
4	13238	TEE 8MJ X 8MJ X 8MJ
5	234940	HYD HOSE 1/2" X 216" FF
6	67576	HYD HOSE 3/8" X 276" FF
7	13265	HYD HOSE 3/8" X 56" FF
8	13484	HYD HOSE 3/8" X 156" FF
9	234939	HYD HOSE 3/8" X 220" FF
10	233689	HYD HOSE 3/8" X 180" FF

ITEM	PART NO	DESCRIPTION
11	67683F1	HYD CYL 4" X 12.56" BP FGS A519CY24
	239904	SEAL KIT 4" BP (FGS SK-ACXL4Q1S)
12	67688F1	HYD CYL 4" X 10.8" BP FGAA519CY25
	239904	SEAL KIT 4" BP (FGS SK-ACXL4Q1S)
13	220061	1-1/2" CHANNEL LOCK 10" (NOT SHOWN)
14	42505	CYLINDER PIN KIT (NOT SHOWN)

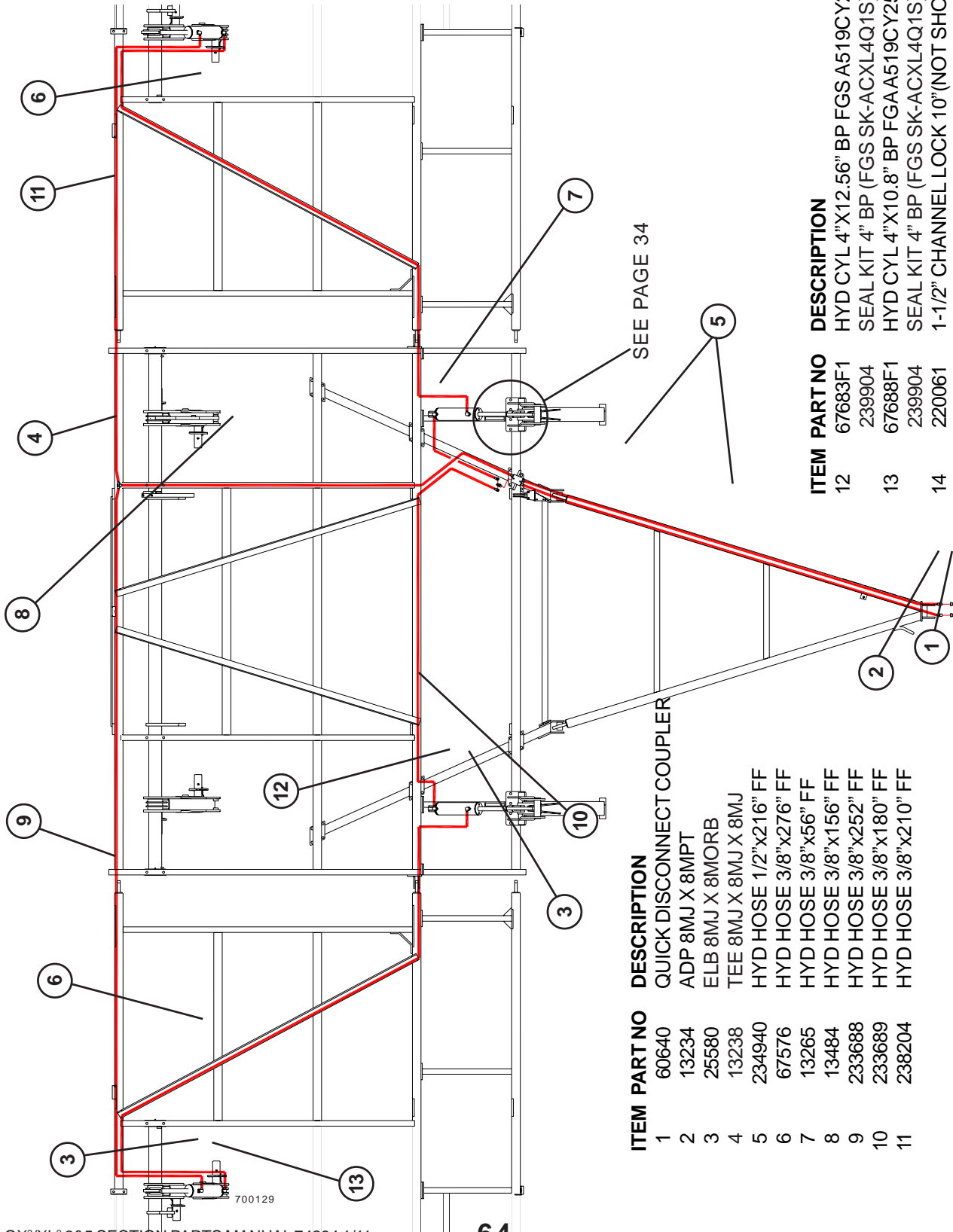
ADD 3/8" x 30" (13261)
FF HYD HOSE
FOR 11' 8" WINGS

SEE PAGE 34

16FT MF w/11' 8" WING

QX² DEPTH CONTROL HYDRAULICS

SERIAL # 457000-459350



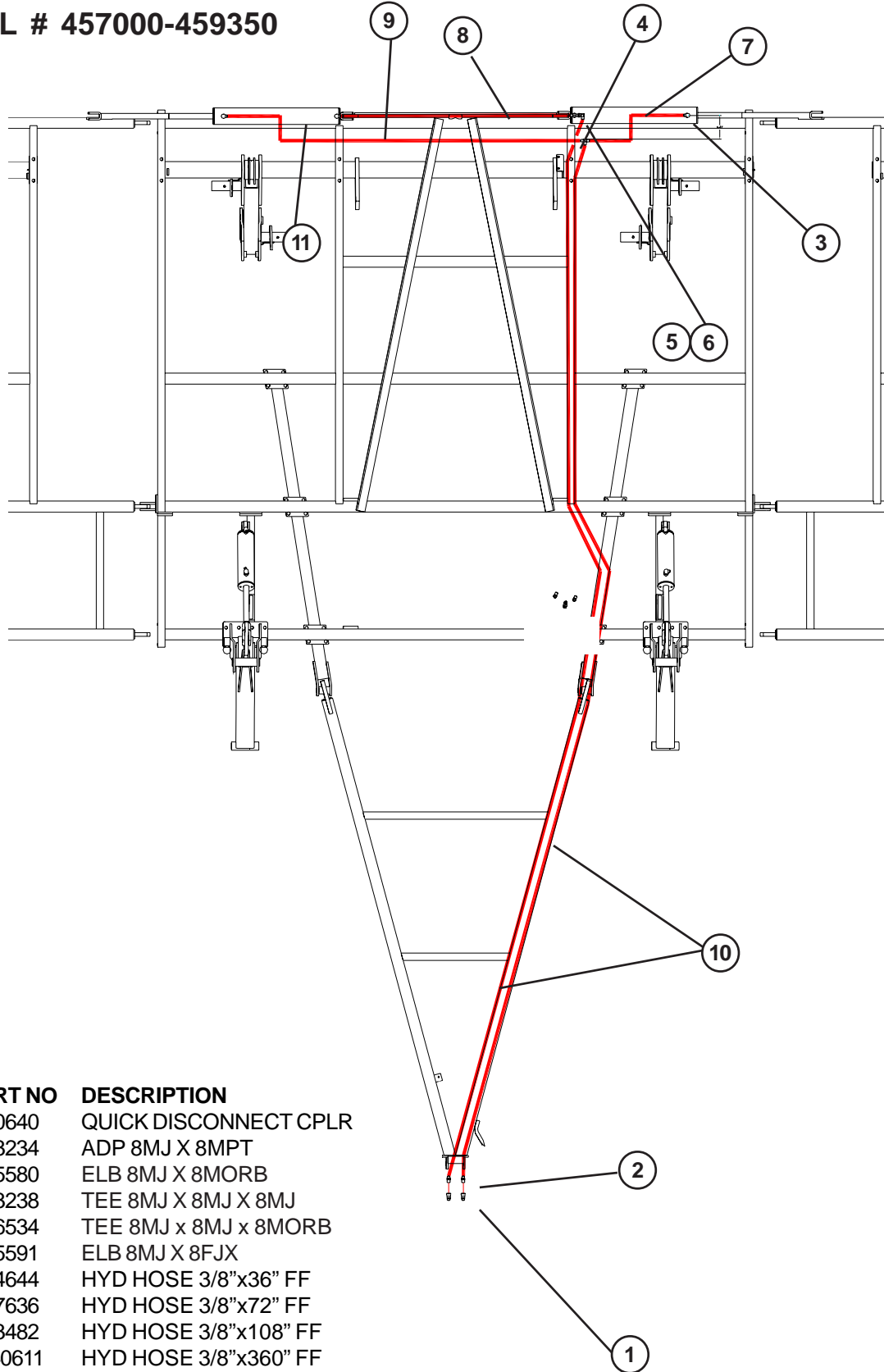
ITEM	PART NO	DESCRIPTION
12	67683F1	HYD CYL 4"X12.56" BP FGS A519CY24
	239904	SEAL KIT 4" BP (FGS SK-ACXL4Q1S)
13	67688F1	HYD CYL 4"X10.8" BP FGA A519CY25
	239904	SEAL KIT 4" BP (FGS SK-ACXL4Q1S)
14	220061	1-1/2" CHANNEL LOCK 10"(NOT SHOWN)
15	42505	CYLINDER PIN KIT(NOT SHOWN)

ITEM	PART NO	DESCRIPTION
1	60640	QUICK DISCONNECT COUPLER
2	13234	ADP 8MJ X 8MPT
3	25580	ELB 8MJ X 8MORB
4	13238	TEE 8MJ X 8MJ X 8MJ
5	234940	HYD HOSE 1/2"x216" FF
6	67576	HYD HOSE 3/8"x276" FF
7	13265	HYD HOSE 3/8"x56" FF
8	13484	HYD HOSE 3/8"x156" FF
9	233688	HYD HOSE 3/8"x252" FF
10	233689	HYD HOSE 3/8"x180" FF
11	238204	HYD HOSE 3/8"x210" FF

13' MF W/7' WING

QX² WING FOLD HYDRAULICS

SERIAL # 457000-459350



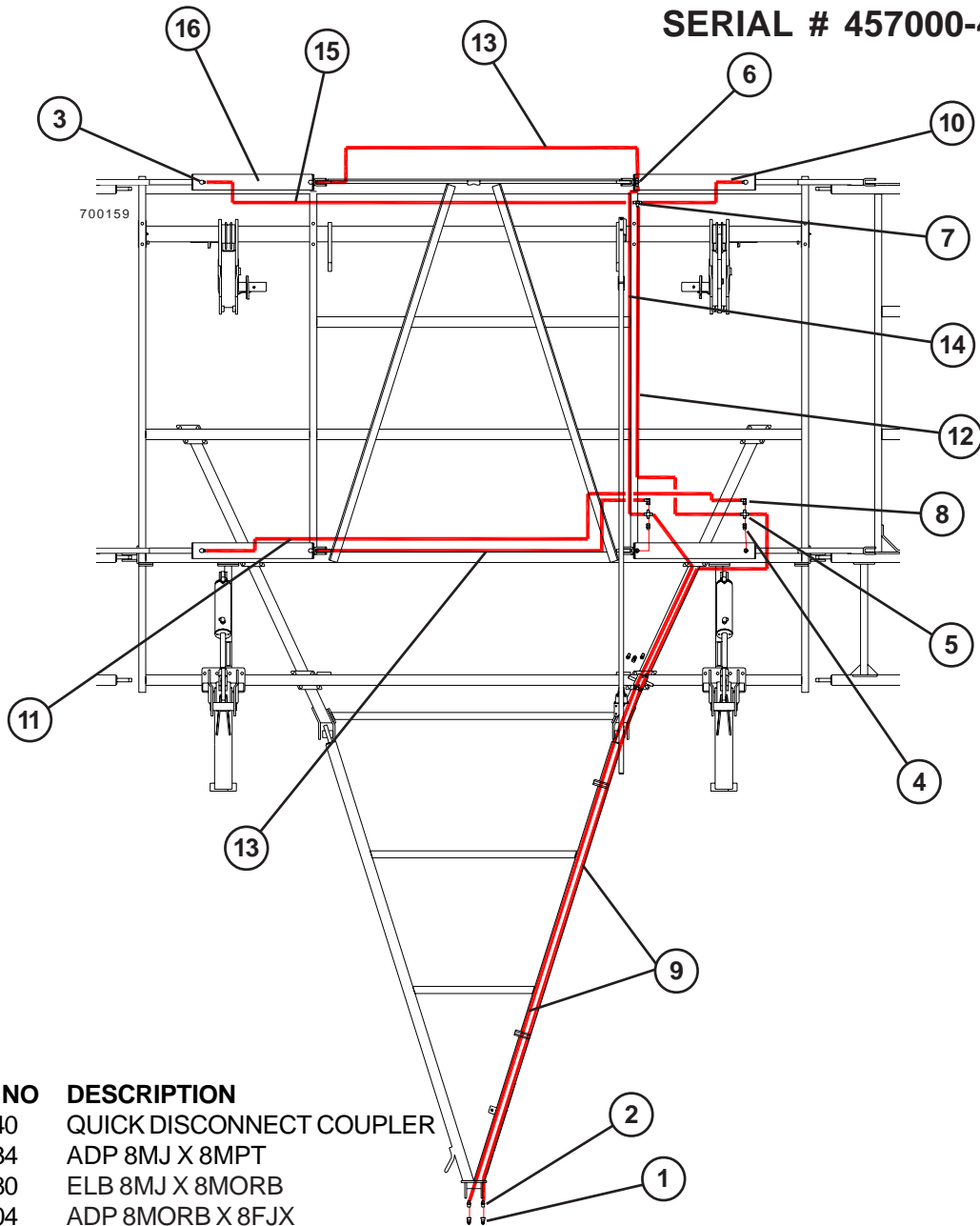
700138

ITEM	PART NO	DESCRIPTION
1	60640	QUICK DISCONNECT CPLR
2	13234	ADP 8MJ X 8MPT
3	25580	ELB 8MJ X 8MORB
4	13238	TEE 8MJ X 8MJ X 8MJ
5	56534	TEE 8MJ x 8MJ x 8MORB
6	25591	ELB 8MJ X 8FJX
7	14644	HYD HOSE 3/8"x36" FF
8	67636	HYD HOSE 3/8"x72" FF
9	13482	HYD HOSE 3/8"x108" FF
10	240611	HYD HOSE 3/8"x360" FF
11	51229F	HYD CYL 4X30 FGS #A519CY02
	233730	SEAL KIT 4IN (FGS-SK-ACBS4Q1S)

13' MF w/9' 4" & 11' 8" WINGS

QX² WING FOLD HYDRAULICS

SERIAL # 457000-459350



ITEM	PART NO	DESCRIPTION
1	60640	QUICK DISCONNECT COUPLER
2	13234	ADP 8MJ X 8MPT
3	25580	ELB 8MJ X 8MORB
4	24004	ADP 8MORB X 8FJX
5	15910	CROSS 8MJ x 8MJ x 8MJ x 8MJ
6	56534	TEE 8MJ x 8MJ x 8MORB
7	13238	TEE 8MJ x 8MJ x 8MJ
8	25591	ELB 8MJ X 8FJX
9	233688	HYD HOSE 3/8"x252" FF
10	14644	HYD HOSE 3/8"x36" FF
11	235386	HYD HOSE 3/8"x137" FF
12	13484	HYD HOSE 3/8"x156" FF
13	13268	HYD HOSE 3/8"x78" FF
14	13483	HYD HOSE 3/8"x120" FF
15	235388	HYD HOSE 3/8"x102" FF
16	51229F	HYD CYL 4X30 FGS #A519CY02
	233730	SEAL KIT 4IN (FGS-SK-ACBS4Q1S)

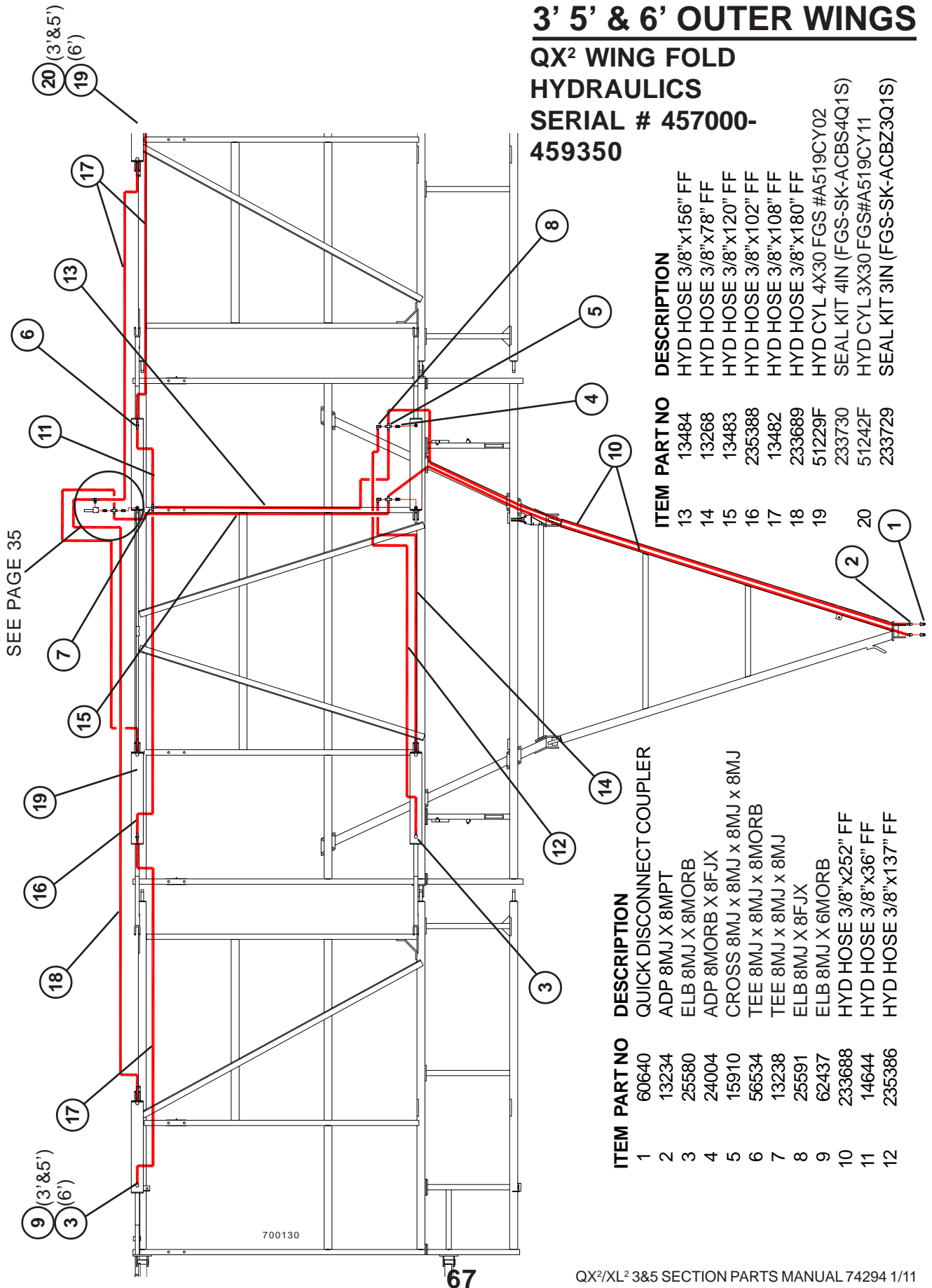
13' MF w/9' 4" INNER WING

3' 5' & 6' OUTER WINGS

QX² WING FOLD

HYDRAULICS

SERIAL # 457000-459350



ITEM PART NO DESCRIPTION

13	13484	HYD HOSE 3/8"x156" FF
14	13268	HYD HOSE 3/8"x78" FF
15	13483	HYD HOSE 3/8"x120" FF
16	235388	HYD HOSE 3/8"x102" FF
17	13482	HYD HOSE 3/8"x108" FF
18	233689	HYD HOSE 3/8"x180" FF
19	51229F	HYD CYL 4X30 FGS #A519CY02
20	233730	SEAL KIT 4IN (FGS-SK-ACBS4Q1S)
	51242F	HYD CYL 3X30 FGS#A519CY11
	233729	SEAL KIT 3IN (FGS-SK-ACBZ3Q1S)

ITEM PART NO DESCRIPTION

1	60640	QUICK DISCONNECT COUPLER
2	13234	ADP 8MJ X 8MPT
3	25580	ELB 8MJ X 8MORB
4	24004	ADP 8MORB X 8FJX
5	15910	CROSS 8MJ x 8MJ x 8MJ x 8MJ
6	56534	TEE 8MJ x 8MJ x 8MORB
7	13238	TEE 8MJ x 8MJ x 8MJ
8	25591	ELB 8MJ X 8FJX
9	62437	ELB 8MJ X 6MORB
10	233688	HYD HOSE 3/8"x252" FF
11	14644	HYD HOSE 3/8"x36" FF
12	235386	HYD HOSE 3/8"x137" FF

SEE PAGE 35

700130

13' MF w/11' 8" INNER WING

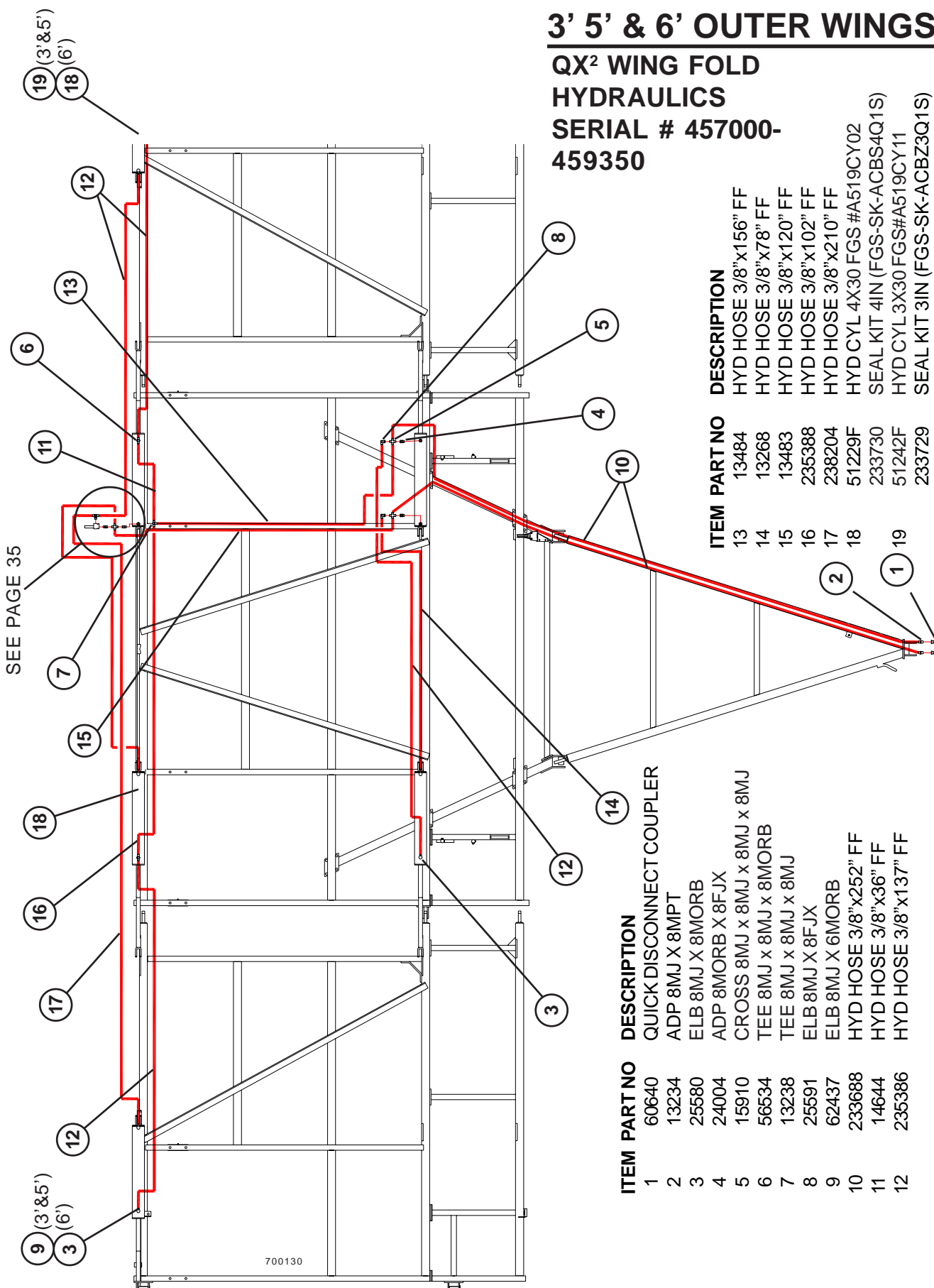
3' 5' & 6' OUTER WINGS

QX² WING FOLD

HYDRAULICS

SERIAL # 457000-

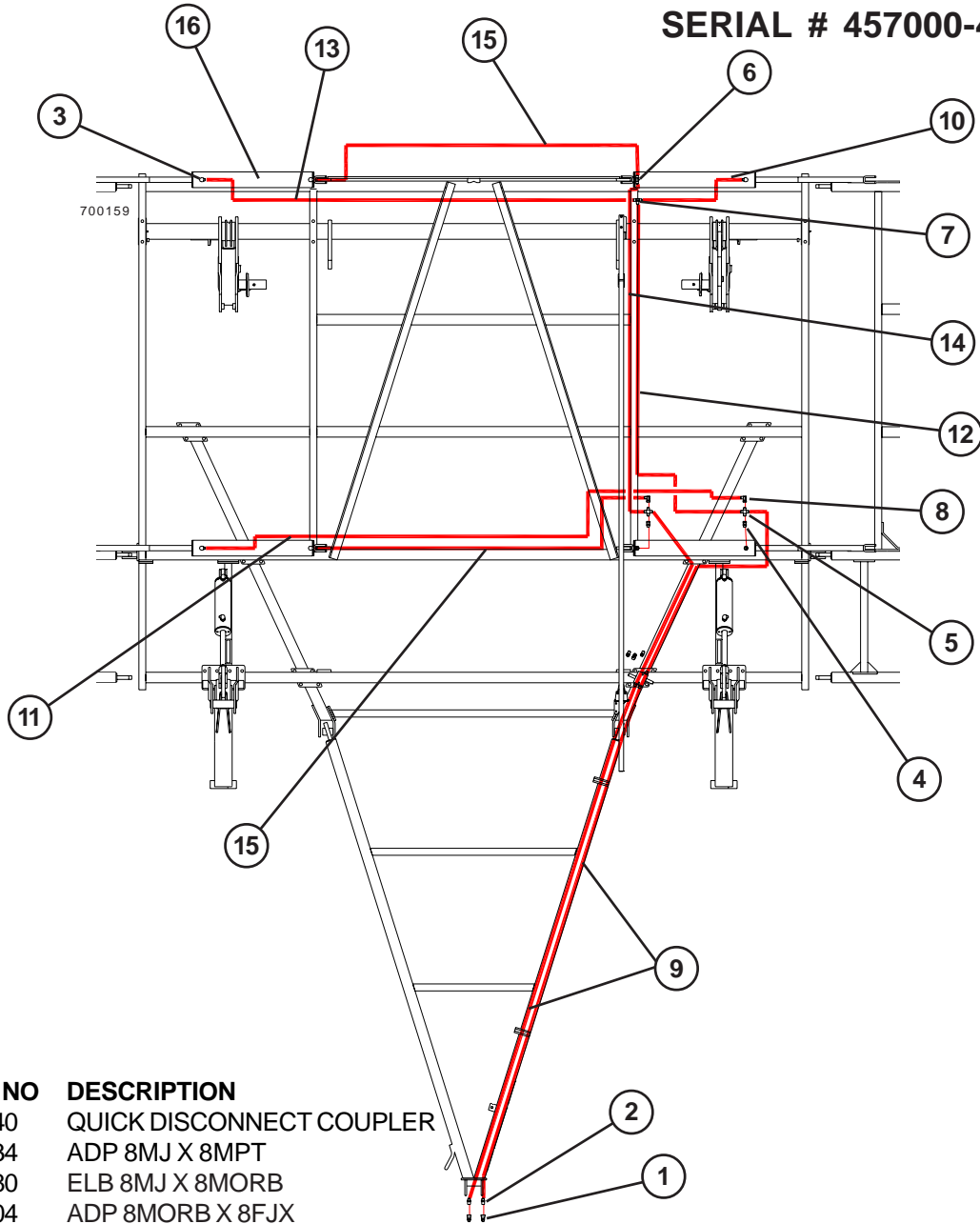
459350



ITEM	PART NO	DESCRIPTION
1	60640	QUICK DISCONNECT COUPLER
2	13234	ADP 8MJ X 8MPT
3	25580	ELB 8MJ X 8MORB
4	24004	ADP 8MORB X 8FJX
5	15910	CROSS 8MJ x 8MJ x 8MJ x 8MJ x 8MJ
6	56534	TEE 8MJ x 8MJ x 8MORB
7	13238	TEE 8MJ x 8MJ x 8MJ
8	25591	ELB 8MJ X 8FJX
9	62437	ELB 8MJ X 6MORB
10	233688	HYD HOSE 3/8"x252" FF
11	14644	HYD HOSE 3/8"x36" FF
12	235386	HYD HOSE 3/8"x137" FF

ITEM	PART NO	DESCRIPTION
13	13484	HYD HOSE 3/8"x156" FF
14	13268	HYD HOSE 3/8"x78" FF
15	13483	HYD HOSE 3/8"x120" FF
16	235388	HYD HOSE 3/8"x102" FF
17	238204	HYD HOSE 3/8"x210" FF
18	51229F	HYD CYL 4X30 FGS #A519CY02
19	233730	SEAL KIT 4IN (FGS-SK-ACBS4Q1S)
	51242F	HYD CYL 3X30 FGS#A519CY11
	233729	SEAL KIT 3IN (FGS-SK-ACBZ3Q1S)

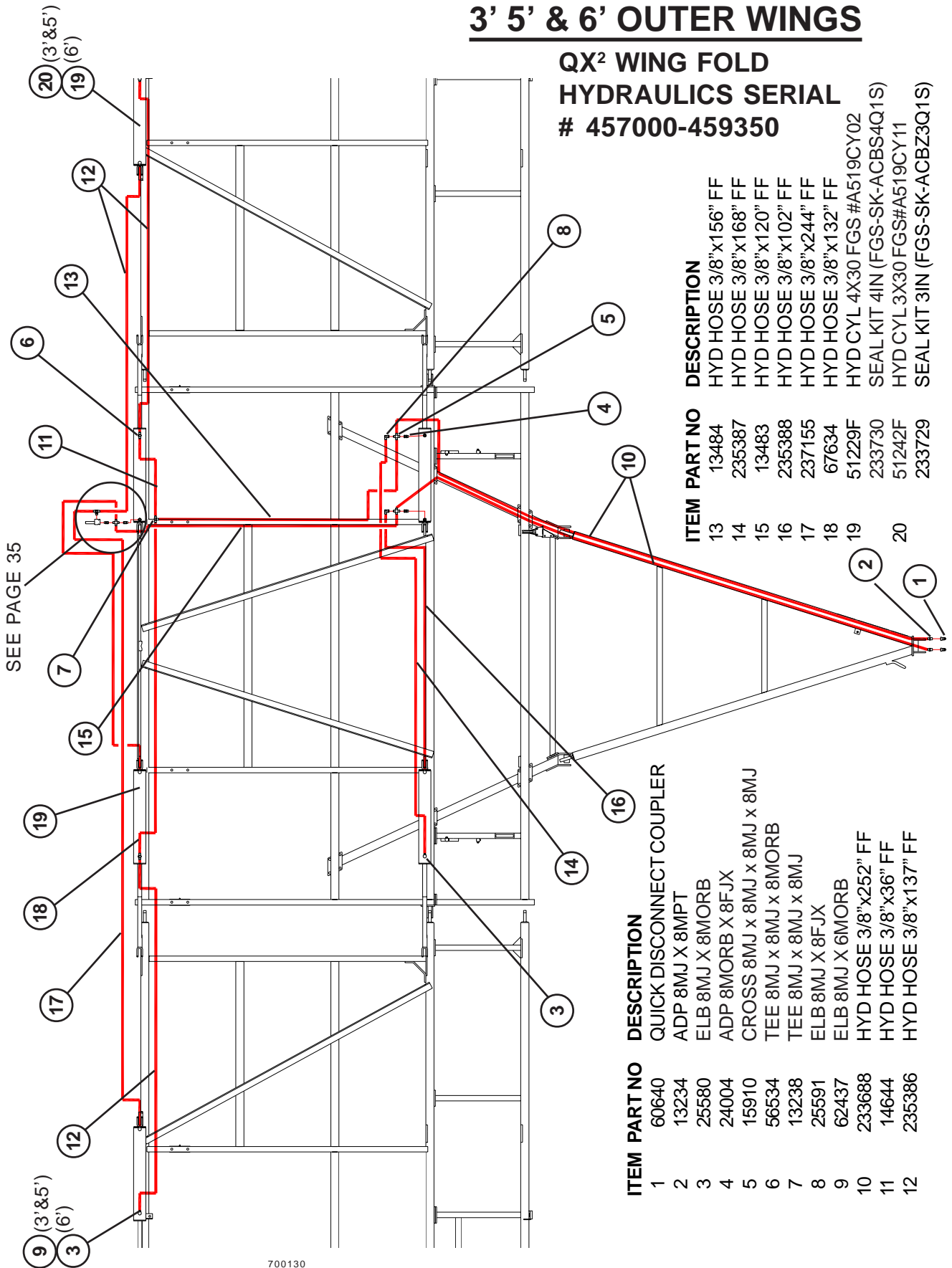
16' MF w/11' 8" WINGS
QX² WING FOLD HYDRAULICS
SERIAL # 457000-459350



ITEM	PART NO	DESCRIPTION
1	60640	QUICK DISCONNECT COUPLER
2	13234	ADP 8MJ X 8MPT
3	25580	ELB 8MJ X 8MORB
4	24004	ADP 8MORB X 8FJX
5	15910	CROSS 8MJ x 8MJ x 8MJ x 8MJ
6	56534	TEE 8MJ x 8MJ x 8MORB
7	13238	TEE 8MJ x 8MJ x 8MJ
8	25591	ELB 8MJ X 8FJX
9	233688	HYD HOSE 3/8"x252" FF
10	14644	HYD HOSE 3/8"x36" FF
11	235387	HYD HOSE 3/8"x168" FF
12	13484	HYD HOSE 3/8"x156" FF
13	67634	HYD HOSE 3/8"x132" FF
14	13483	HYD HOSE 3/8"x120" FF
15	235388	HYD HOSE 3/8"x102" FF
16	51229F	HYD CYL 4X30 FGS #A519CY02
	233730	SEAL KIT 4IN (FGS-SK-ACBS4Q1S)

16' MF w/11' 8" INNER WING 3' 5' & 6' OUTER WINGS

**QX² WING FOLD
HYDRAULICS SERIAL
457000-459350**



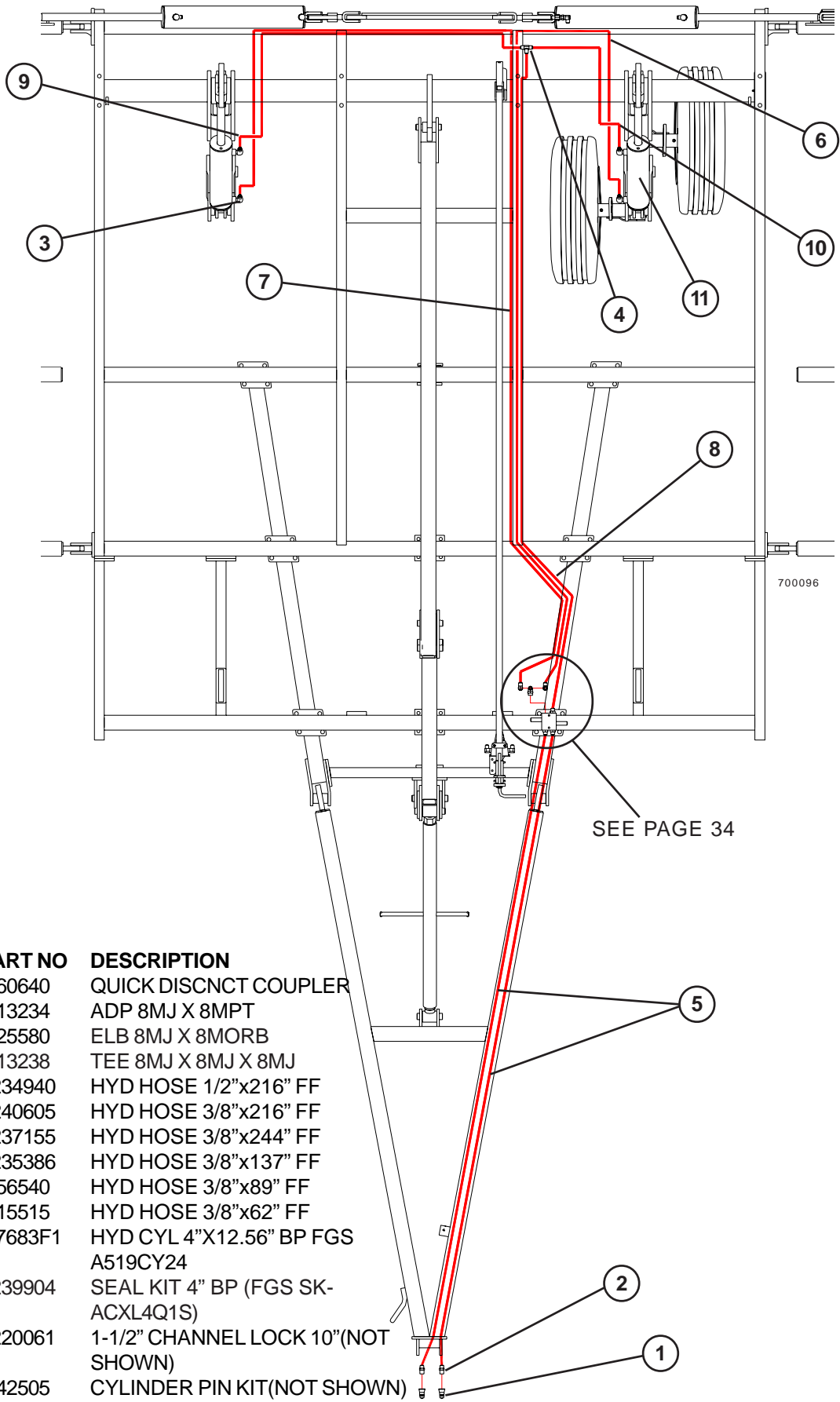
700130

ITEM PART NO	DESCRIPTION
1	60640 QUICK DISCONNECT COUPLER
2	13234 ADP 8MJ X 8MPT
3	25580 ELB 8MJ X 8MORB
4	24004 ADP 8MORB X 8FJX
5	15910 CROSS 8MJ x 8MJ x 8MJ x 8MJ
6	56534 TEE 8MJ x 8MJ x 8MORB
7	13238 TEE 8MJ x 8MJ x 8MJ
8	25591 ELB 8MJ X 8FJX
9	62437 ELB 8MJ X 6MORB
10	233688 HYD HOSE 3/8"x252" FF
11	14644 HYD HOSE 3/8"x36" FF
12	235386 HYD HOSE 3/8"x137" FF

ITEM PART NO	DESCRIPTION
13	13484 HYD HOSE 3/8"x156" FF
14	235387 HYD HOSE 3/8"x168" FF
15	13483 HYD HOSE 3/8"x120" FF
16	235388 HYD HOSE 3/8"x102" FF
17	237155 HYD HOSE 3/8"x244" FF
18	67634 HYD HOSE 3/8"x132" FF
19	51229F HYD CYL 4X30 FGS #A519CY02
20	233730 SEAL KIT 4IN (FGS-SK-ACBS4Q1S)
	51242F HYD CYL 3X30 FGS#A519CY11
	233729 SEAL KIT 3IN (FGS-SK-ACBZ3Q1S)

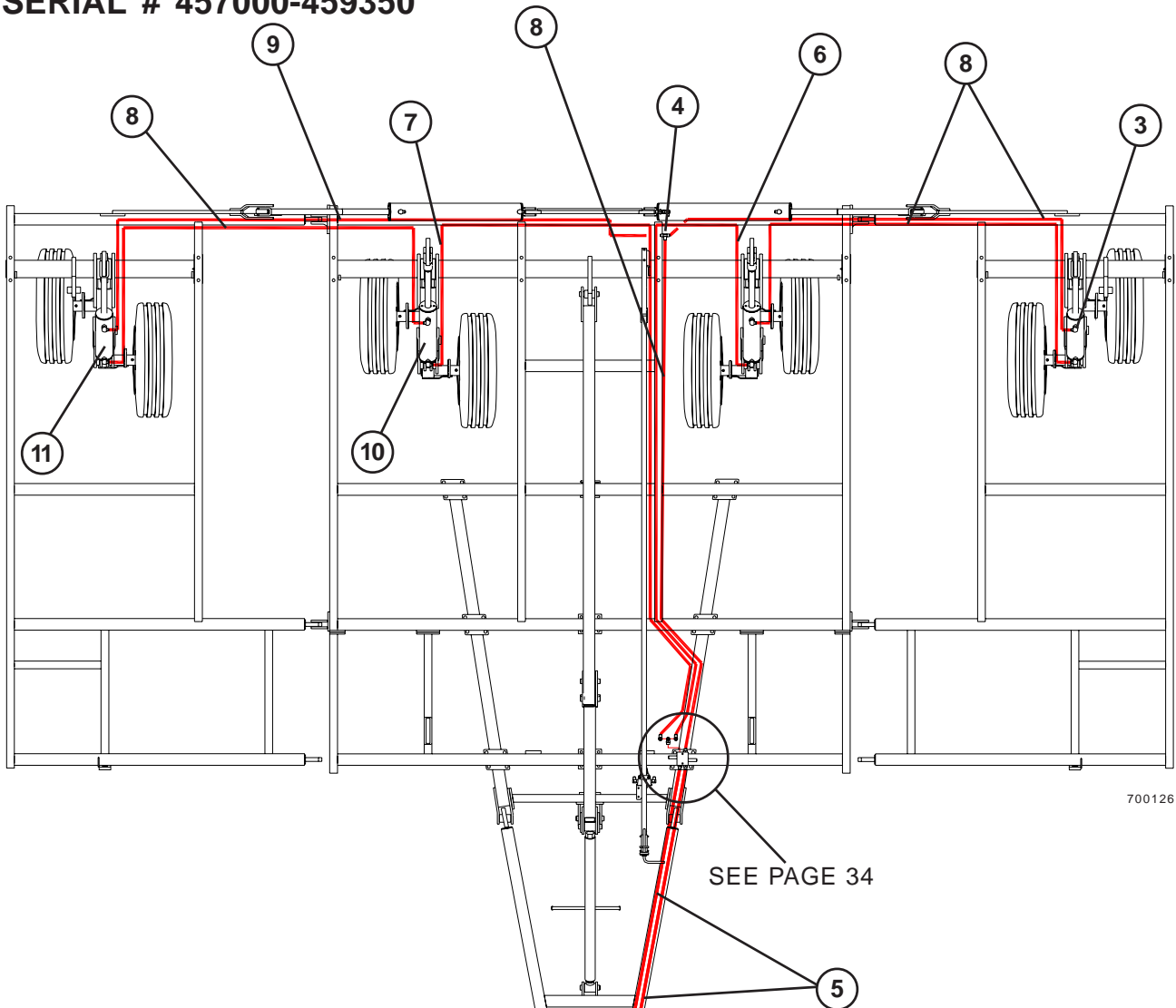
11'MF W/4' WING

XL² DEPTH CONTROL HYDRAULICS



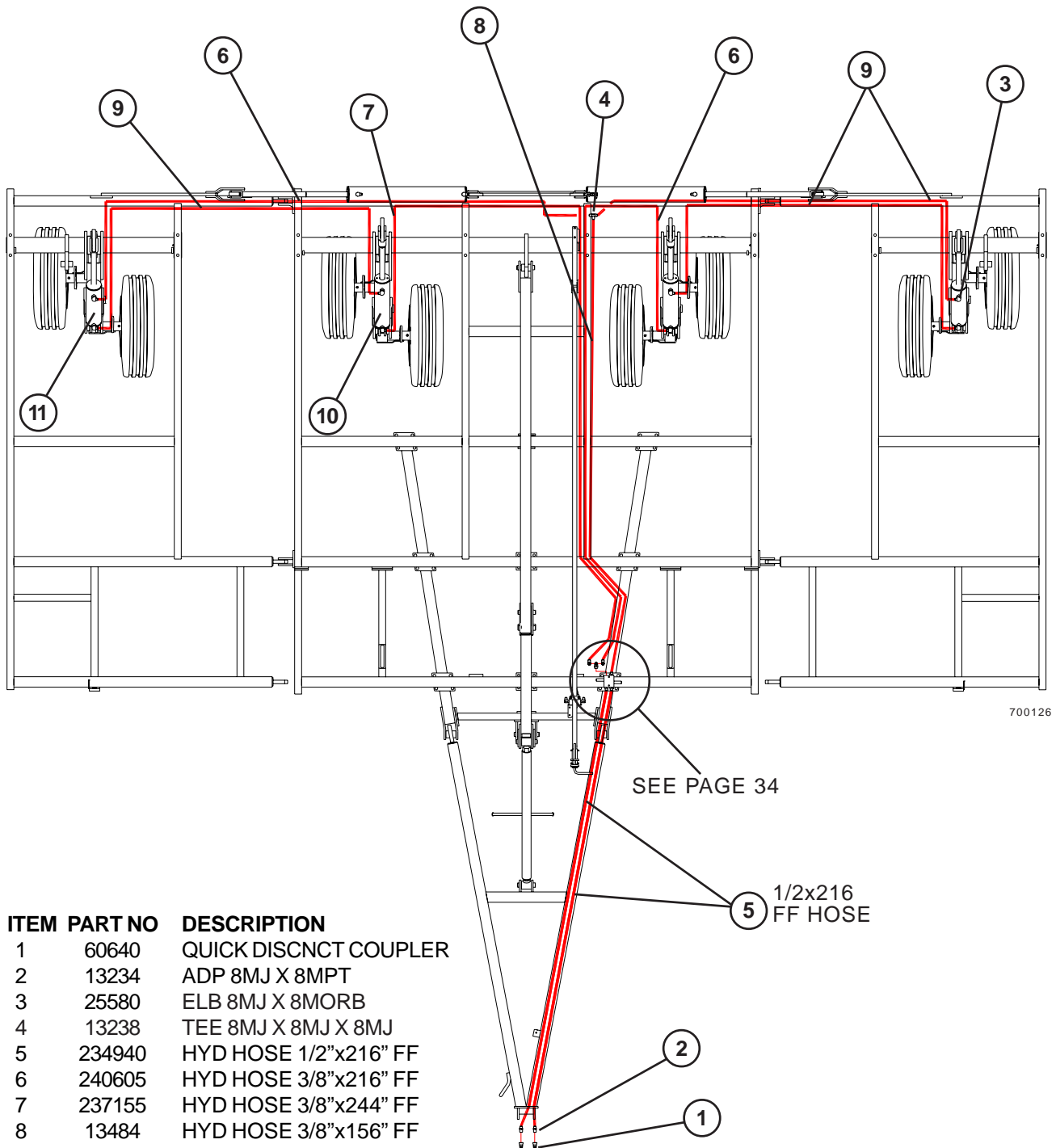
ITEM	PART NO	DESCRIPTION
1	60640	QUICK DISCNCT COUPLER
2	13234	ADP 8MJ X 8MPT
3	25580	ELB 8MJ X 8MORB
4	13238	TEE 8MJ X 8MJ X 8MJ
5	234940	HYD HOSE 1/2"x216" FF
6	240605	HYD HOSE 3/8"x216" FF
7	237155	HYD HOSE 3/8"x244" FF
8	235386	HYD HOSE 3/8"x137" FF
9	56540	HYD HOSE 3/8"x89" FF
10	15515	HYD HOSE 3/8"x62" FF
11	67683F1	HYD CYL 4"X12.56" BP FGS A519CY24
	239904	SEAL KIT 4" BP (FGS SK- ACXL4Q1S)
12	220061	1-1/2" CHANNEL LOCK 10"(NOT SHOWN)
13	42505	CYLINDER PIN KIT(NOT SHOWN)

11' MF w/7' WING
XL² DEPTH CONTROL
HYDRAULICS
SERIAL # 457000-459350



ITEM	PART NO	DESCRIPTION
1	60640	QUICK DISCNCT COUPLER
2	13234	ADP 8MJ X 8MPT
3	25580	ELB 8MJ X 8MORB
4	13238	TEE 8MJ X 8MJ X 8MJ
5	234940	HYD HOSE 1/2"x216" FF
6	240605	HYD HOSE 3/8"x216" FF
7	237155	HYD HOSE 3/8"x244" FF
8	13484	HYD HOSE 3/8"x156" FF
9	233689	HYD HOSE 3/8"x180" FF
10	67683F1	HYD CYL 4"x12.56" BP FGSA519CY24
	239904	SEAL KIT 4" BP (FGS SK-ACXL4Q1S)
11	67688F1	HYD CYL 4"x10.8" BP FGAA519CY25
	239904	SEAL KIT 4" BP (FGS SK-ACXL4Q1S)
12	220061	1-1/2" CHANNEL LOCK 10"(NOT SHOWN)
13	42505	CYLINDER PIN KIT(NOT SHOWN)

11' MF w/9' 4" WING
XL² DEPTH CONTROL
HYDRAULICS
SERIAL # 457000-459350



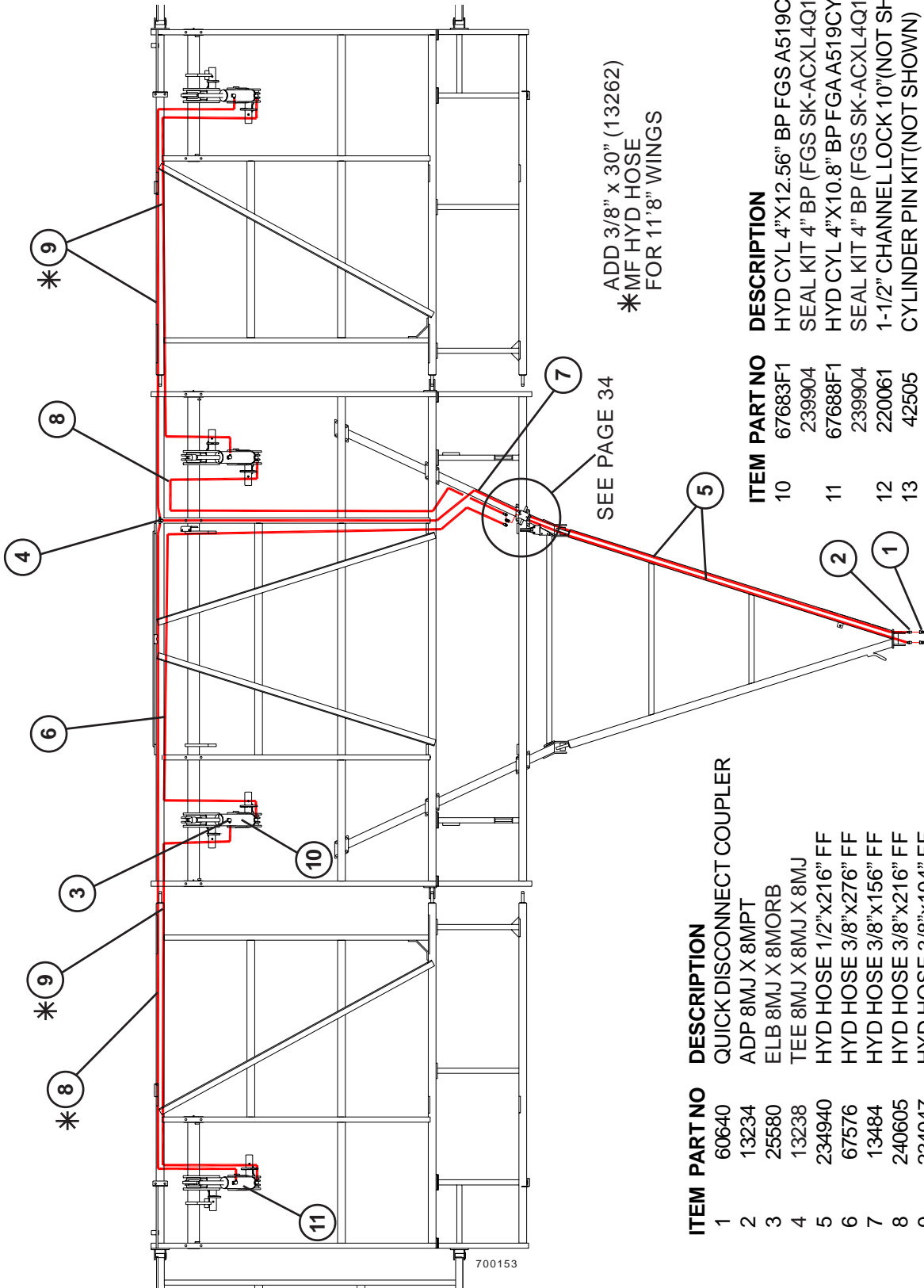
700126

ITEM	PART NO	DESCRIPTION
1	60640	QUICK DISCNCT COUPLER
2	13234	ADP 8MJ X 8MPT
3	25580	ELB 8MJ X 8MORB
4	13238	TEE 8MJ X 8MJ X 8MJ
5	234940	HYD HOSE 1/2"x216" FF
6	240605	HYD HOSE 3/8"x216" FF
7	237155	HYD HOSE 3/8"x244" FF
8	13484	HYD HOSE 3/8"x156" FF
9	233689	HYD HOSE 3/8"x180" FF
10	67683F1	HYD CYL 4"x12.56" BP FGSA519CY24
	239904	SEAL KIT 4" BP (FGS SK-ACXL4Q1S)
11	67688F1	HYD CYL 4"x10.8" BP FGAA519CY25
	239904	SEAL KIT 4" BP (FGS SK-ACXL4Q1S)
12	220061	1-1/2" CHANNEL LOCK 10"(NOT SHOWN)
13	42505	CYLINDER PIN KIT(NOT SHOWN)

13' MF w/9' 4" & 11'8" WING

XL² DEPTH CONTROL HYDRAULICS

SERIAL # 457000-459350



ADD 3/8" x 30" (13262)
 *MF HYD HOSE
 FOR 11'8" WINGS

SEE PAGE 34

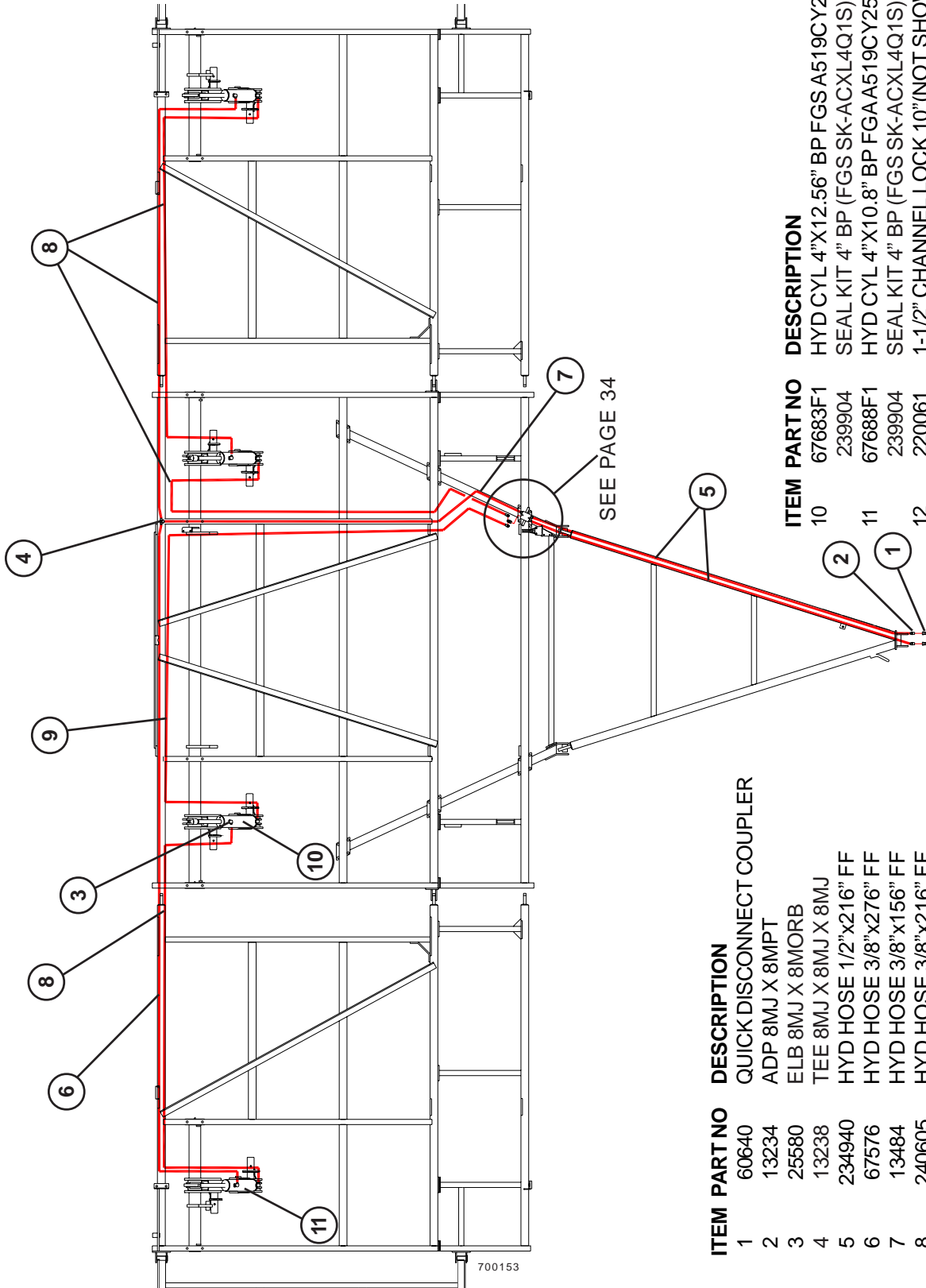
ITEM PART NO	DESCRIPTION
1	60640 QUICK DISCONNECT COUPLER
2	13234 ADP 8MJ X 8MPT
3	25580 ELB 8MJ X 8MORB
4	13238 TEE 8MJ X 8MJ X 8MJ
5	234940 HYD HOSE 1/2"x216" FF
6	67576 HYD HOSE 3/8"x276" FF
7	13484 HYD HOSE 3/8"x156" FF
8	240605 HYD HOSE 3/8"x216" FF
9	234947 HYD HOSE 3/8"x194" FF

ITEM PART NO	DESCRIPTION
10	67683F1 HYD CYL 4"x12.56" BP FGS A519CY24
11	239904 SEAL KIT 4" BP (FGS SK-ACXL4Q1S)
12	67688F1 HYD CYL 4"x10.8" BP FGA A519CY25
13	239904 SEAL KIT 4" BP (FGS SK-ACXL4Q1S)
	220061 1-1/2" CHANNEL LOCK 10"(NOT SHOWN)
	42505 CYLINDER PIN KIT(NOT SHOWN)

16' MF W/11'8" WING

XL² DEPTH CONTROL HYDRAULICS

SERIAL # 457000-459350



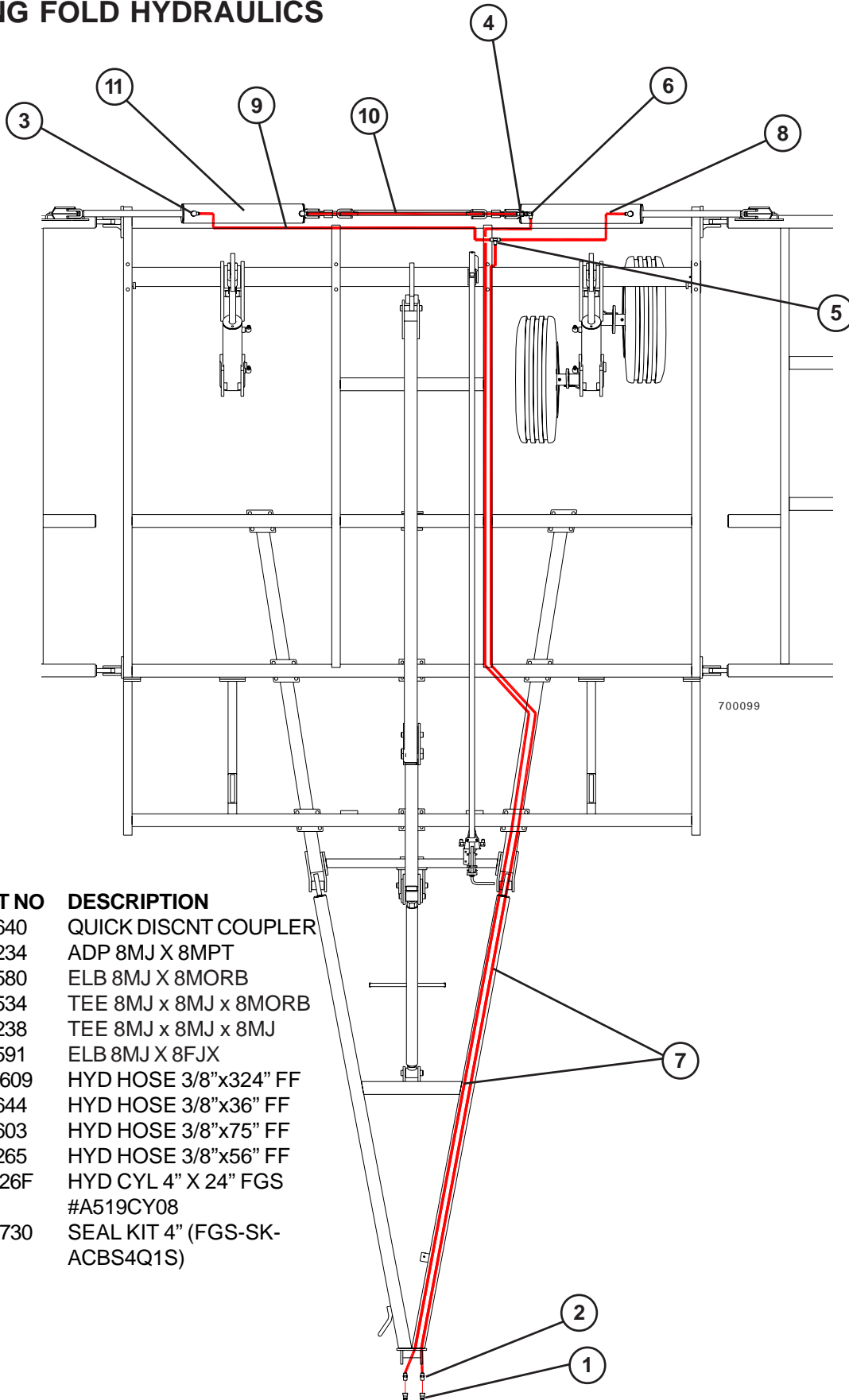
ITEM	PART NO	DESCRIPTION
10	67683F1	HYD CYL 4"X12.56" BP FGS A519CY24
11	239904	SEAL KIT 4" BP (FGS SK-ACXL4Q1S)
11	67688F1	HYD CYL 4"X10.8" BP FGA A519CY25
12	239904	SEAL KIT 4" BP (FGS SK-ACXL4Q1S)
12	220061	1-1/2" CHANNEL LOCK 10"(NOT SHOWN)
13	42505	CYLINDER PIN KIT(NOT SHOWN)

ITEM	PART NO	DESCRIPTION
1	60640	QUICK DISCONNECT COUPLER
2	13234	ADP 8MJ X 8MPT
3	25580	ELB 8MJ X 8MORB
4	13238	TEE 8MJ X 8MJ X 8MJ
5	234940	HYD HOSE 1/2"X216" FF
6	67576	HYD HOSE 3/8"X276" FF
7	13484	HYD HOSE 3/8"X156" FF
8	240605	HYD HOSE 3/8"X216" FF
9	240604	HYD HOSE 3/8"X300" FF

700153

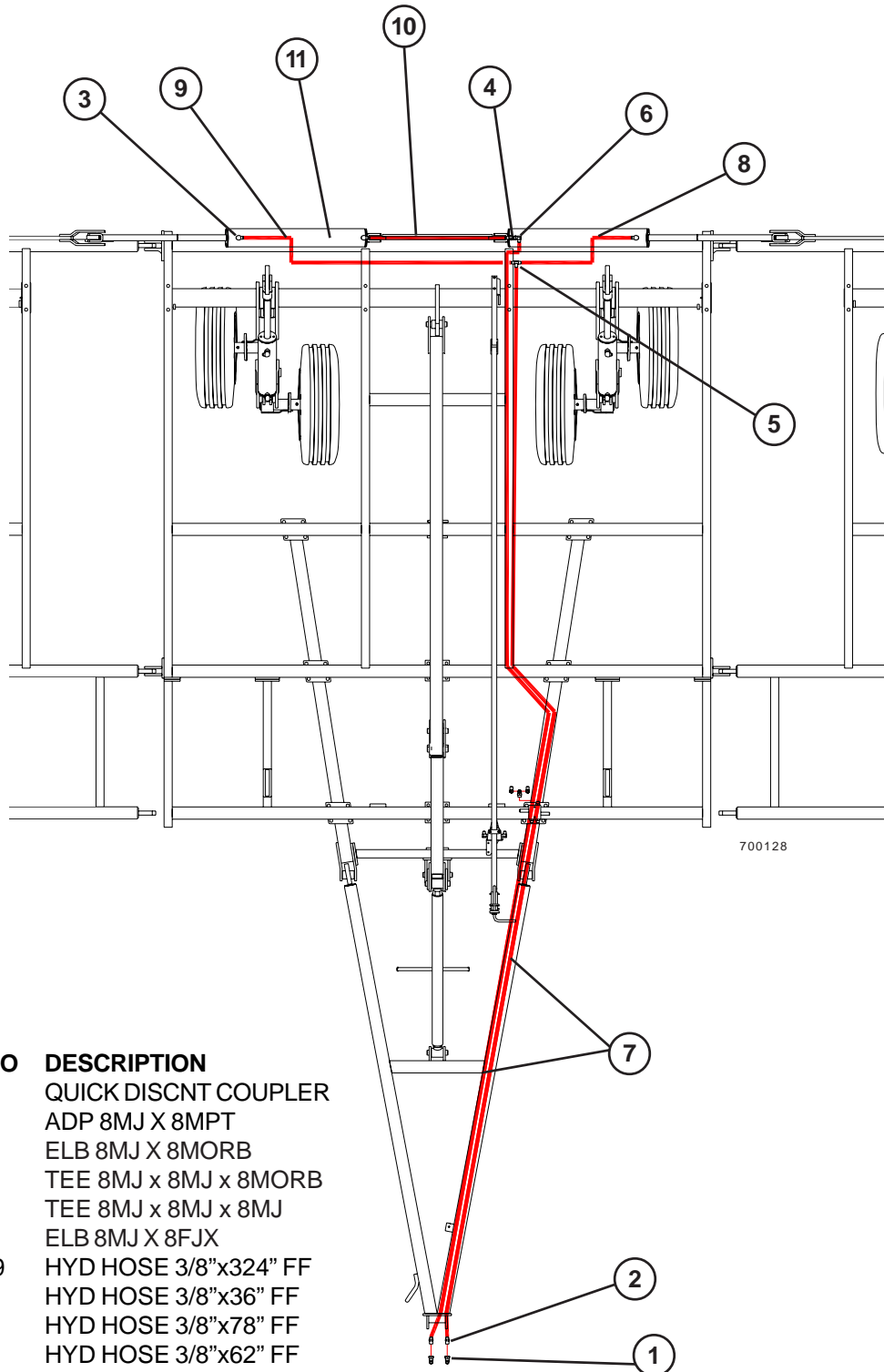
11' MF w/4' WING

XL² WING FOLD HYDRAULICS



ITEM	PART NO	DESCRIPTION
1	60640	QUICK DISCNT COUPLER
2	13234	ADP 8MJ X 8MPT
3	25580	ELB 8MJ X 8MORB
4	56534	TEE 8MJ x 8MJ x 8MORB
5	13238	TEE 8MJ x 8MJ x 8MJ
6	25591	ELB 8MJ X 8FJX
7	240609	HYD HOSE 3/8"x324" FF
8	14644	HYD HOSE 3/8"x36" FF
9	25603	HYD HOSE 3/8"x75" FF
10	13265	HYD HOSE 3/8"x56" FF
11	51226F	HYD CYL 4" X 24" FGS #A519CY08
	233730	SEAL KIT 4" (FGS-SK- ACBS4Q1S)

11' MF w/7' WING
XL² WING FOLD HYDRAULICS
SERIAL # 457000-459350



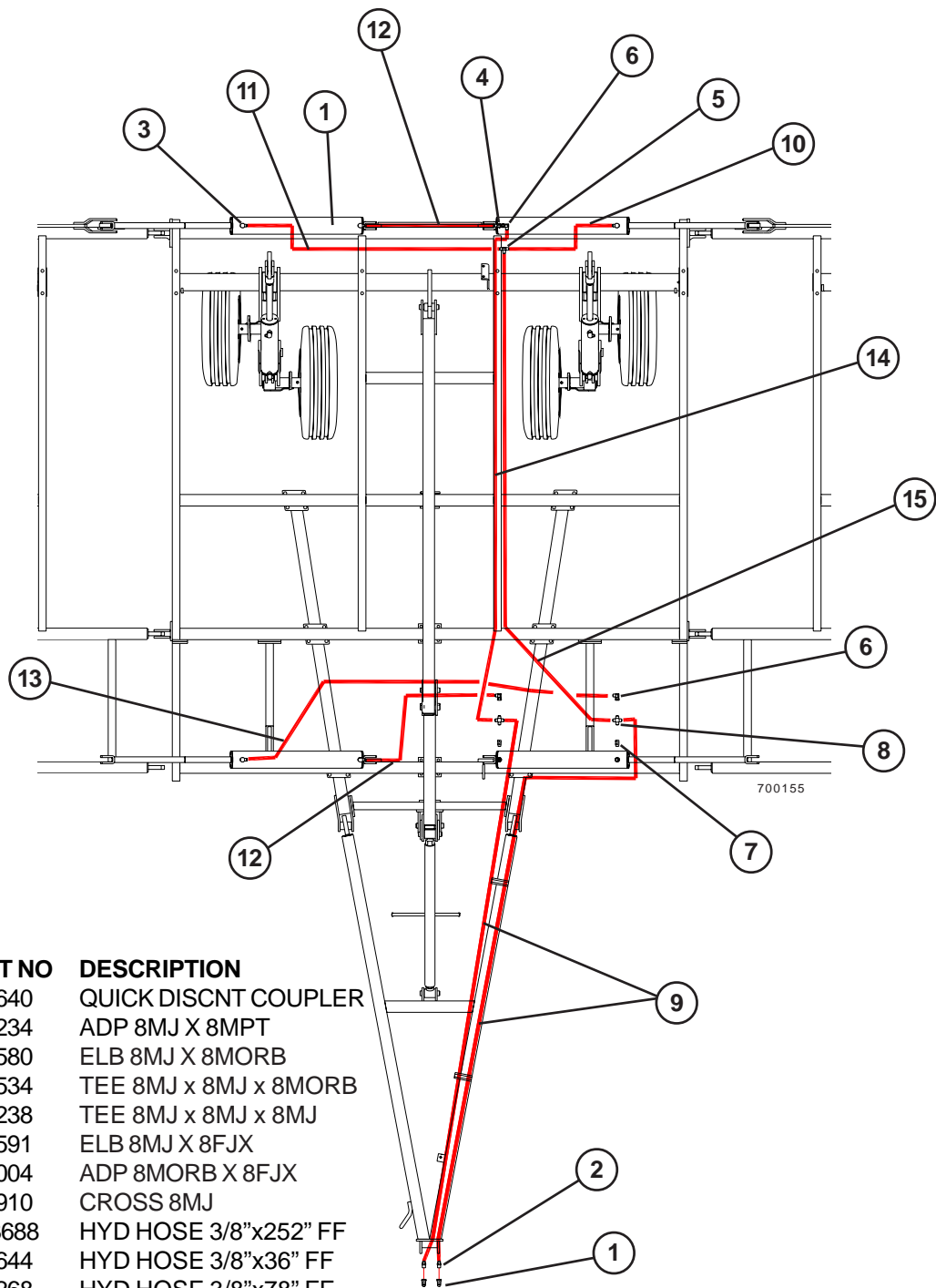
700128

ITEM	PART NO	DESCRIPTION
1	60640	QUICK DISCNT COUPLER
2	13234	ADP 8MJ X 8MPT
3	25580	ELB 8MJ X 8MORB
4	56534	TEE 8MJ x 8MJ x 8MORB
5	13238	TEE 8MJ x 8MJ x 8MJ
6	25591	ELB 8MJ X 8FJX
7	240609	HYD HOSE 3/8"x324" FF
8	14644	HYD HOSE 3/8"x36" FF
9	13268	HYD HOSE 3/8"x78" FF
10	15515	HYD HOSE 3/8"x62" FF
11	51229F	HYD CYL 4X30 FGS #A519CY02
	233730	SEAL KIT 4IN (FGS-SK-ACBS4Q1S)

11' MF w/9'4"WING

XL² WING FOLD HYDRAULICS

SERIAL # 457000-459350

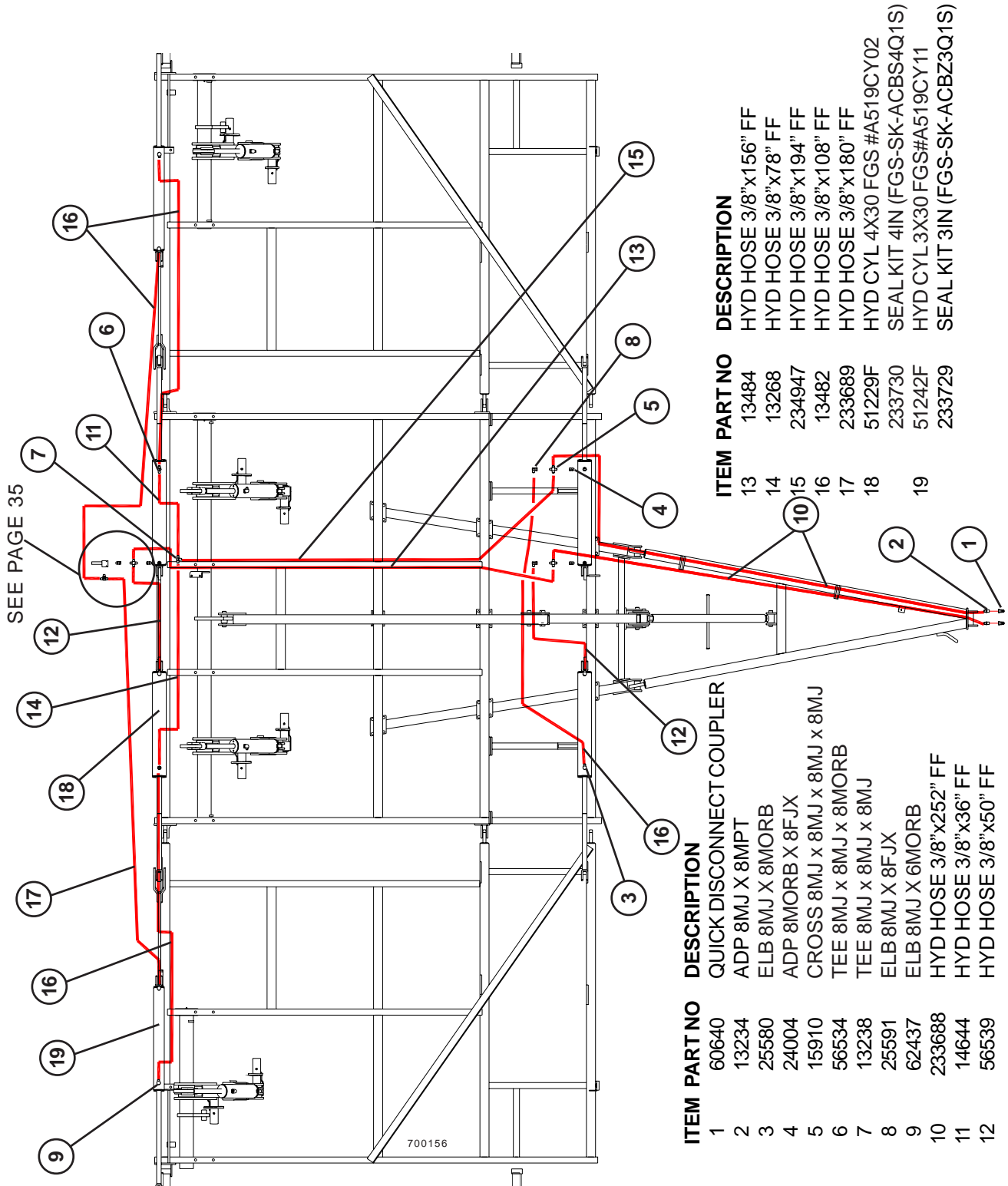


ITEM	PART NO	DESCRIPTION
1	60640	QUICK DISCNT COUPLER
2	13234	ADP 8MJ X 8MPT
3	25580	ELB 8MJ X 8MORB
4	56534	TEE 8MJ x 8MJ x 8MORB
5	13238	TEE 8MJ x 8MJ x 8MJ
6	25591	ELB 8MJ X 8FJX
7	24004	ADP 8MORB X 8FJX
8	15910	CROSS 8MJ
9	233688	HYD HOSE 3/8"x252" FF
10	14644	HYD HOSE 3/8"x36" FF
11	13268	HYD HOSE 3/8"x78" FF
12	56539	HYD HOSE 3/8"x50" FF
13	13482	HYD HOSE 3/8"x108" FF
14	13484	HYD HOSE 3/8"x156" FF
15	234947	HYD HOSE 3/8"x194" FF
16	51229F	HYD CYL 4X30 FGS #A519CY02
	233730	SEAL KIT 4IN (FGS-SK-ACBS4Q1S)

11' MF w/9'4" INNER WING 3'&5' OUTER WING

XL² WING FOLD HYDRAULICS

SERIAL # 457000-459350

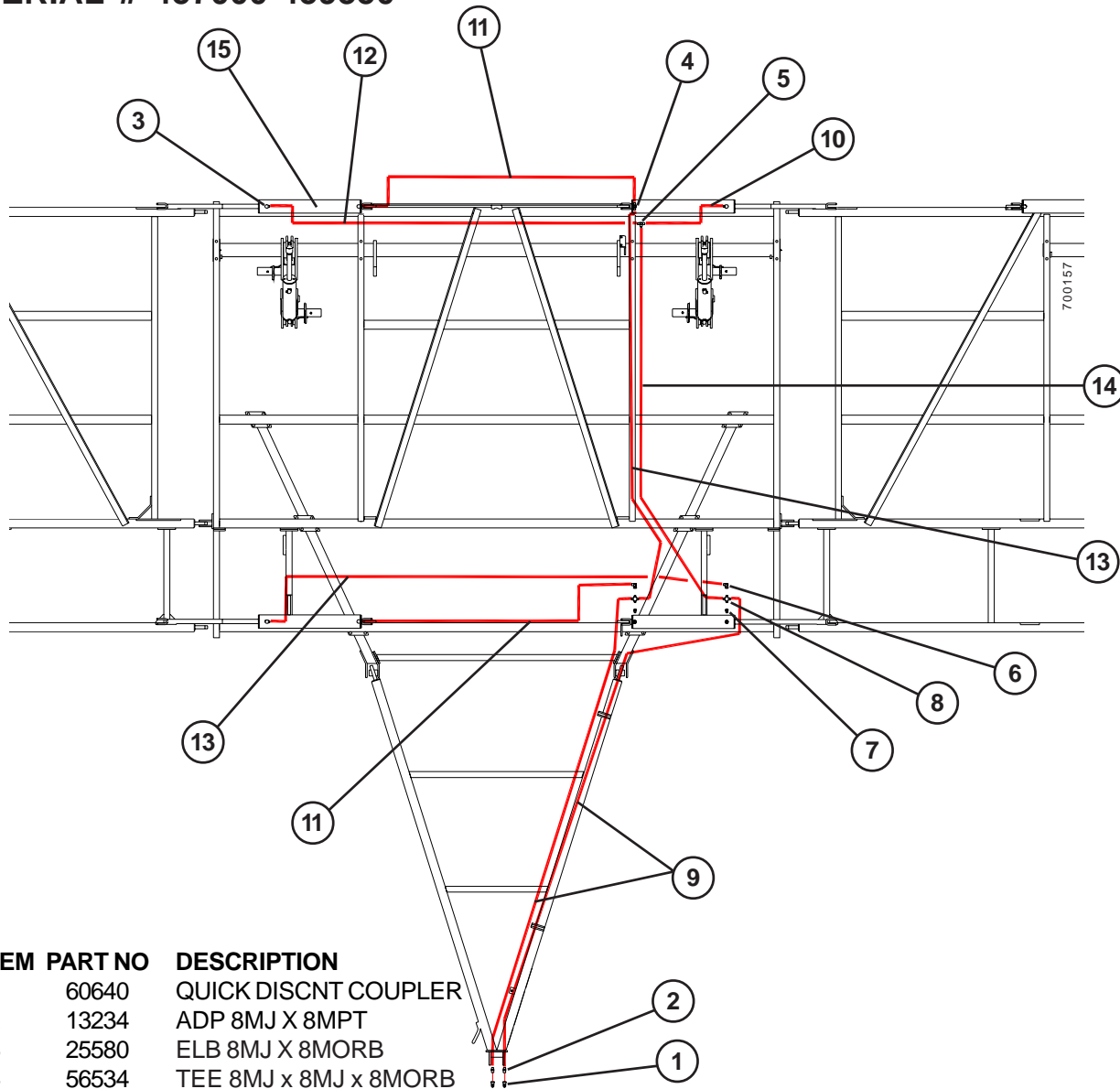


ITEM PART NO	DESCRIPTION	ITEM PART NO	DESCRIPTION
1	60640 QUICK DISCONNECT COUPLER	13	13484 HYD HOSE 3/8"x156" FF
2	13234 ADP 8MJ X 8MPT	14	13268 HYD HOSE 3/8"x78" FF
3	25580 ELB 8MJ X 8MORB	15	234947 HYD HOSE 3/8"x194" FF
4	24004 ADP 8MORB X 8FJX	16	13482 HYD HOSE 3/8"x108" FF
5	15910 CROSS 8MJ x 8MJ x 8MJ x 8MJ	17	233689 HYD HOSE 3/8"x180" FF
6	56534 TEE 8MJ x 8MJ x 8MORB	18	51229F HYD CYL 4X30 FGS #A519CY02
7	13238 TEE 8MJ x 8MJ x 8MJ	19	233730 SEAL KIT 4IN (FGS-SK-ACBS4Q1S)
8	25591 ELB 8MJ X 8FJX		51242F HYD CYL 3X30 FGS#A519CY11
9	62437 ELB 8MJ X 6MORB		233729 SEAL KIT 3IN (FGS-SK-ACBZ3Q1S)
10	233688 HYD HOSE 3/8"x252" FF		
11	14644 HYD HOSE 3/8"x36" FF		
12	56539 HYD HOSE 3/8"x50" FF		

13' MF w/9'4" & 11' 8" WING

XL² WING FOLD HYDRAULICS

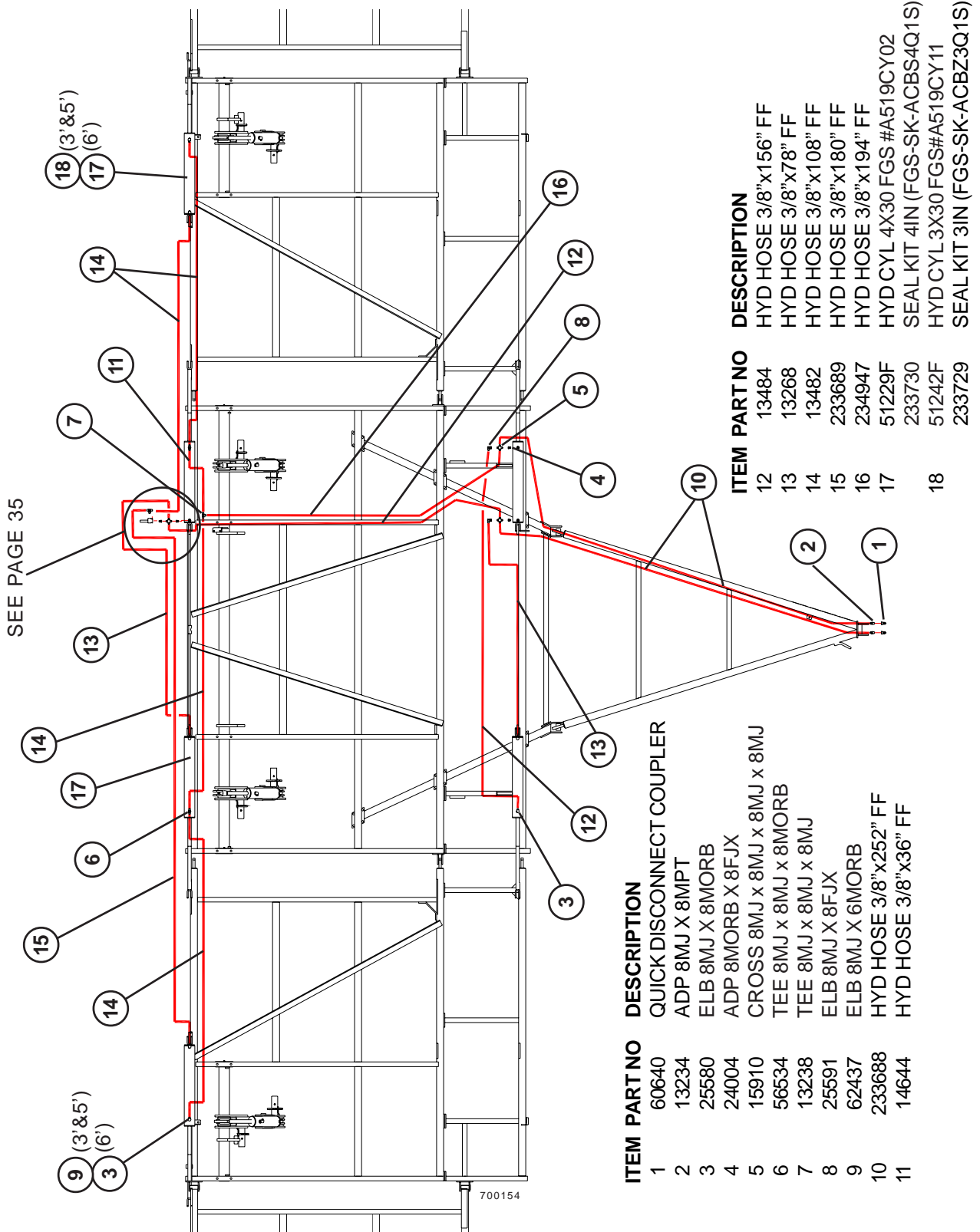
SERIAL # 457000-459350



ITEM	PART NO	DESCRIPTION
1	60640	QUICK DISCNT COUPLER
2	13234	ADP 8MJ X 8MPT
3	25580	ELB 8MJ X 8MORB
4	56534	TEE 8MJ x 8MJ x 8MORB
5	13238	TEE 8MJ x 8MJ x 8MJ
6	25591	ELB 8MJ X 8FJX
7	24004	ADP 8MORB X 8FJX
8	15910	CROSS 8MJ
9	233688	HYD HOSE 3/8"x252" FF
10	14644	HYD HOSE 3/8"x36" FF
11	13268	HYD HOSE 3/8"x78" FF
12	13482	HYD HOSE 3/8"x108" FF
13	13484	HYD HOSE 3/8"x156" FF
14	234947	HYD HOSE 3/8"x194" FF
15	51229F	HYD CYL 4X30 FGS #A519CY02
	233730	SEAL KIT 4IN (FGS-SK-ACBS4Q1S)

13' MF w/9'4" INNER WING 3',5'&6' OUTER WING

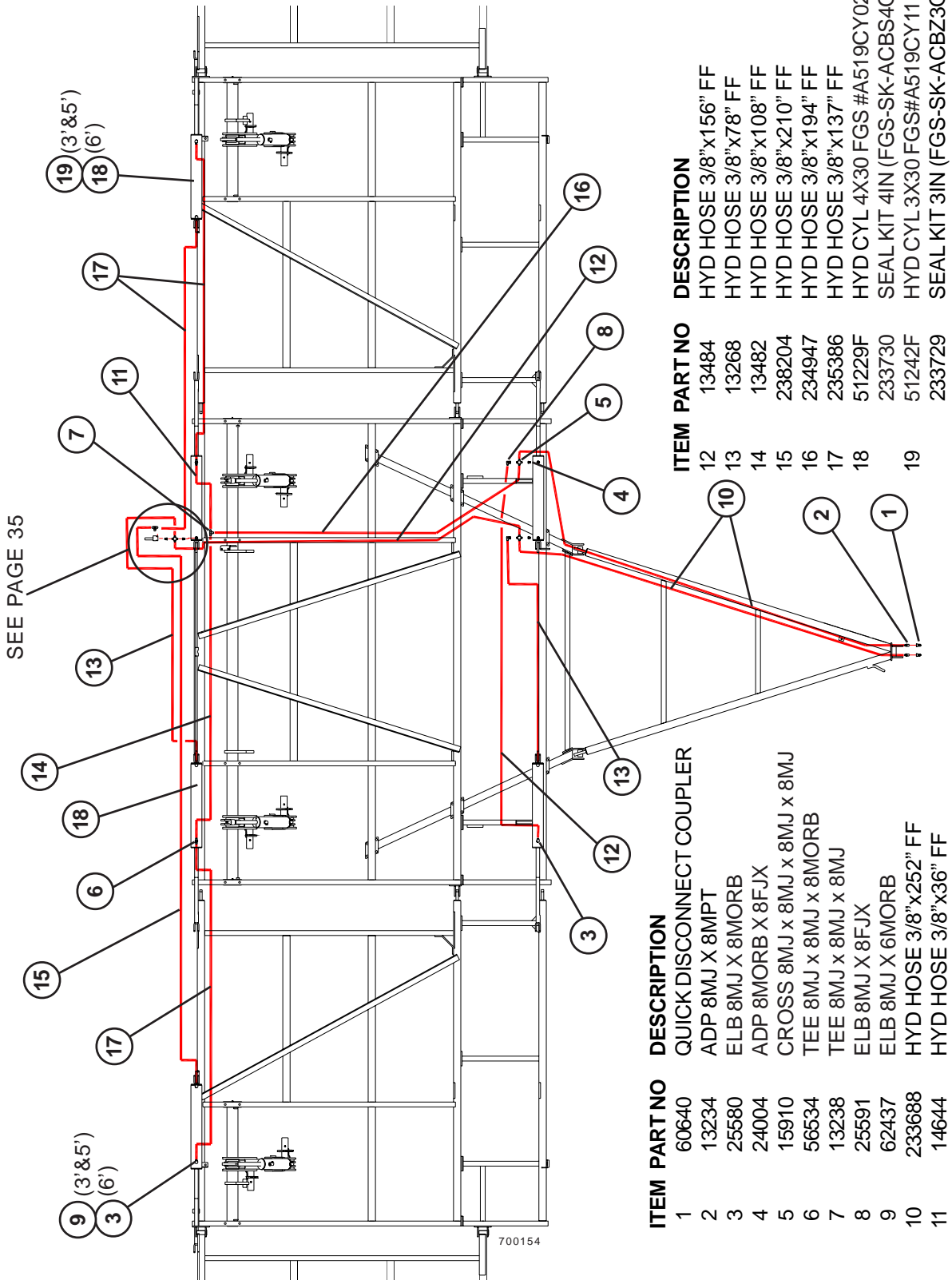
XL² WING FOLD HYDRAULICS SERIAL # 457000-459350



ITEM PART NO	DESCRIPTION
1	60640 QUICK DISCONNECT COUPLER
2	13234 ADP 8MJ X 8MPT
3	25580 ELB 8MJ X 8MORB
4	24004 ADP 8MORB X 8FJX
5	15910 CROSS 8MJ x 8MJ x 8MJ x 8MJ
6	56534 TEE 8MJ x 8MJ x 8MORB
7	13238 TEE 8MJ x 8MJ x 8MJ
8	25591 ELB 8MJ X 8FJX
9	62437 ELB 8MJ X 6MORB
10	233688 HYD HOSE 3/8"x252" FF
11	14644 HYD HOSE 3/8"x36" FF

ITEM PART NO	DESCRIPTION
12	13484 HYD HOSE 3/8"x156" FF
13	13268 HYD HOSE 3/8"x78" FF
14	13482 HYD HOSE 3/8"x108" FF
15	233689 HYD HOSE 3/8"x180" FF
16	234947 HYD HOSE 3/8"x194" FF
17	51229F HYD CYL 4X30 FGS #A519CY02
18	233730 SEAL KIT 4IN (FGS-SK-ACBS4Q1S)
	51242F HYD CYL 3X30 FGS#A519CY11
	233729 SEAL KIT 3IN (FGS-SK-ACBZ3Q1S)

13' MF w/11'8" INNER WING
3',5'&6' OUTER WING
XL² WING FOLD HYDRAULICS
SERIAL # 457000-459350

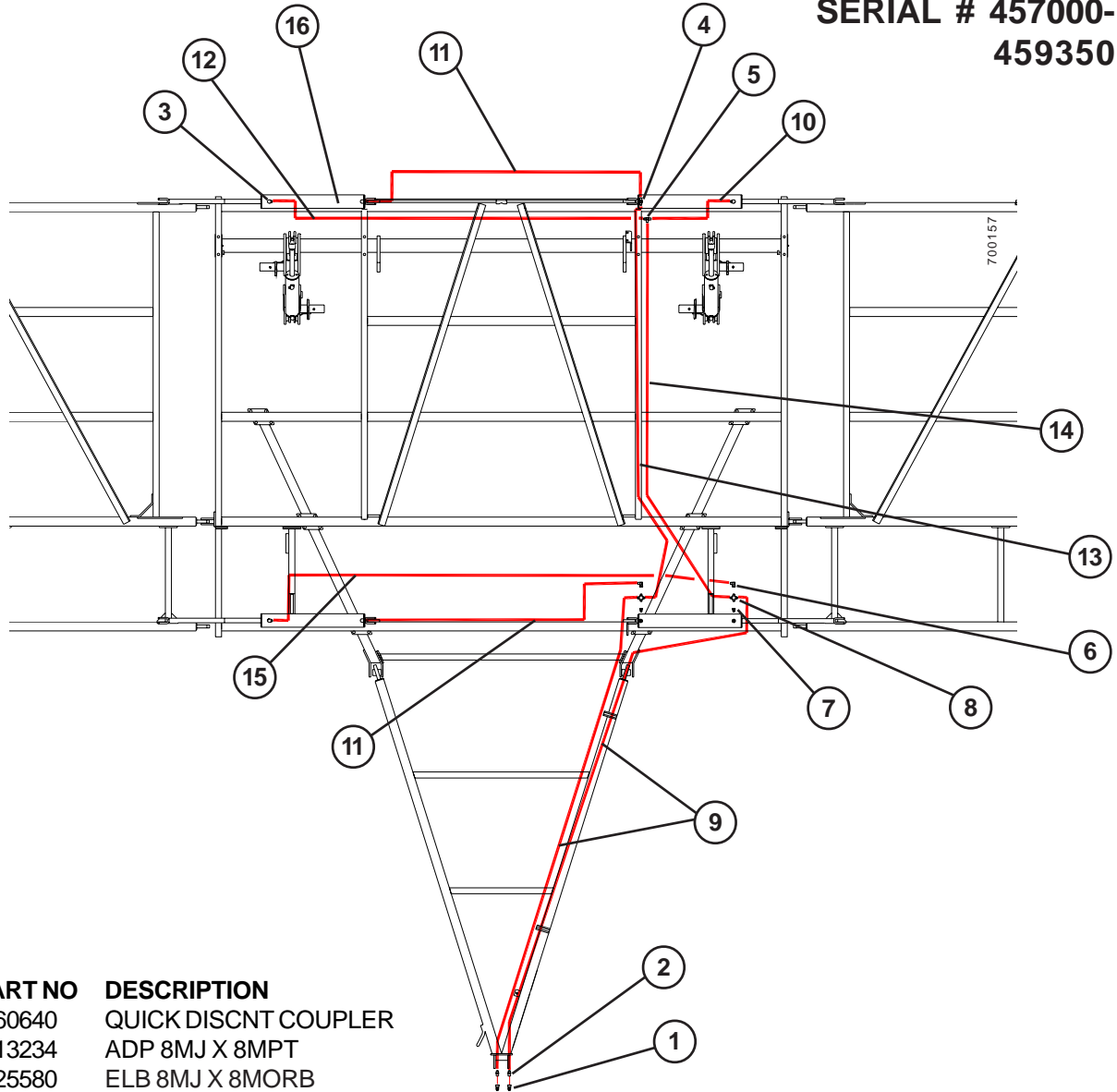


SEE PAGE 35

ITEM PART NO	DESCRIPTION	ITEM PART NO	DESCRIPTION
1	QUICK DISCONNECT COUPLER	12	HYD HOSE 3/8"x156" FF
2	ADP 8MJ X 8MPT	13	HYD HOSE 3/8"x78" FF
3	ELB 8MJ X 8MORB	14	HYD HOSE 3/8"x108" FF
4	ADP 8MORB X 8FJX	15	HYD HOSE 3/8"x210" FF
5	CROSS 8MJ x 8MJ x 8MJ x 8MJ	16	HYD HOSE 3/8"x194" FF
6	TEE 8MJ x 8MJ x 8MORB	17	HYD HOSE 3/8"x137" FF
7	TEE 8MJ x 8MJ x 8MJ	18	HYD CYL 4X30 FGS #A519CY02
8	ELB 8MJ X 8FJX	19	SEAL KIT 4IN (FGS-SK-ACBS4Q1S)
9	ELB 8MJ X 6MORB		HYD CYL 3X30 FGS#A519CY11
10	HYD HOSE 3/8"x252" FF		SEAL KIT 3IN (FGS-SK-ACBZ3Q1S)
11	HYD HOSE 3/8"x36" FF		

16' MF w/11' 8" WING

**XL² WING FOLD
HYDRAULICS
SERIAL # 457000-
459350**



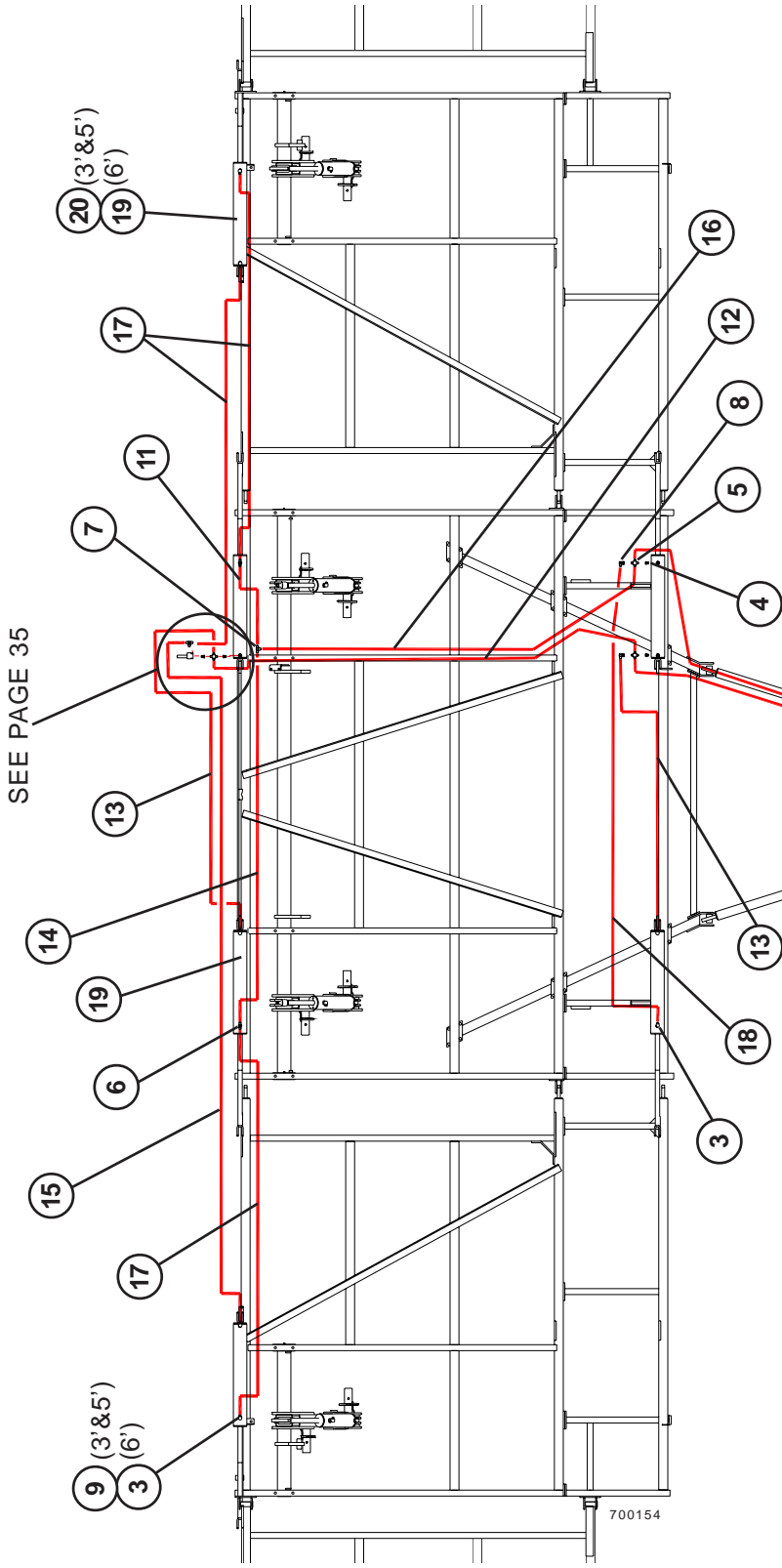
ITEM	PART NO	DESCRIPTION
1	60640	QUICK DISCNT COUPLER
2	13234	ADP 8MJ X 8MPT
3	25580	ELB 8MJ X 8MORB
4	56534	TEE 8MJ x 8MJ x 8MORB
5	13238	TEE 8MJ x 8MJ x 8MJ
6	25591	ELB 8MJ X 8FJX
7	24004	ADP 8MORB X 8FJX
8	15910	CROSS 8MJ
9	233688	HYD HOSE 3/8"x252" FF
10	14644	HYD HOSE 3/8"x36" FF
11	235388	HYD HOSE 3/8"x102" FF
12	67634	HYD HOSE 3/8"x132" FF
13	13484	HYD HOSE 3/8"x156" FF
14	234947	HYD HOSE 3/8"x194" FF
15	235387	HYD HOSE 3/8"x168" FF
16	51229F	HYD CYL 4X30 FGS #A519CY02
	233730	SEAL KIT 4IN (FGS-SK-ACBS4Q1S)

16' MF w/11'8" INNER WING

3',5'&6' OUTER WING

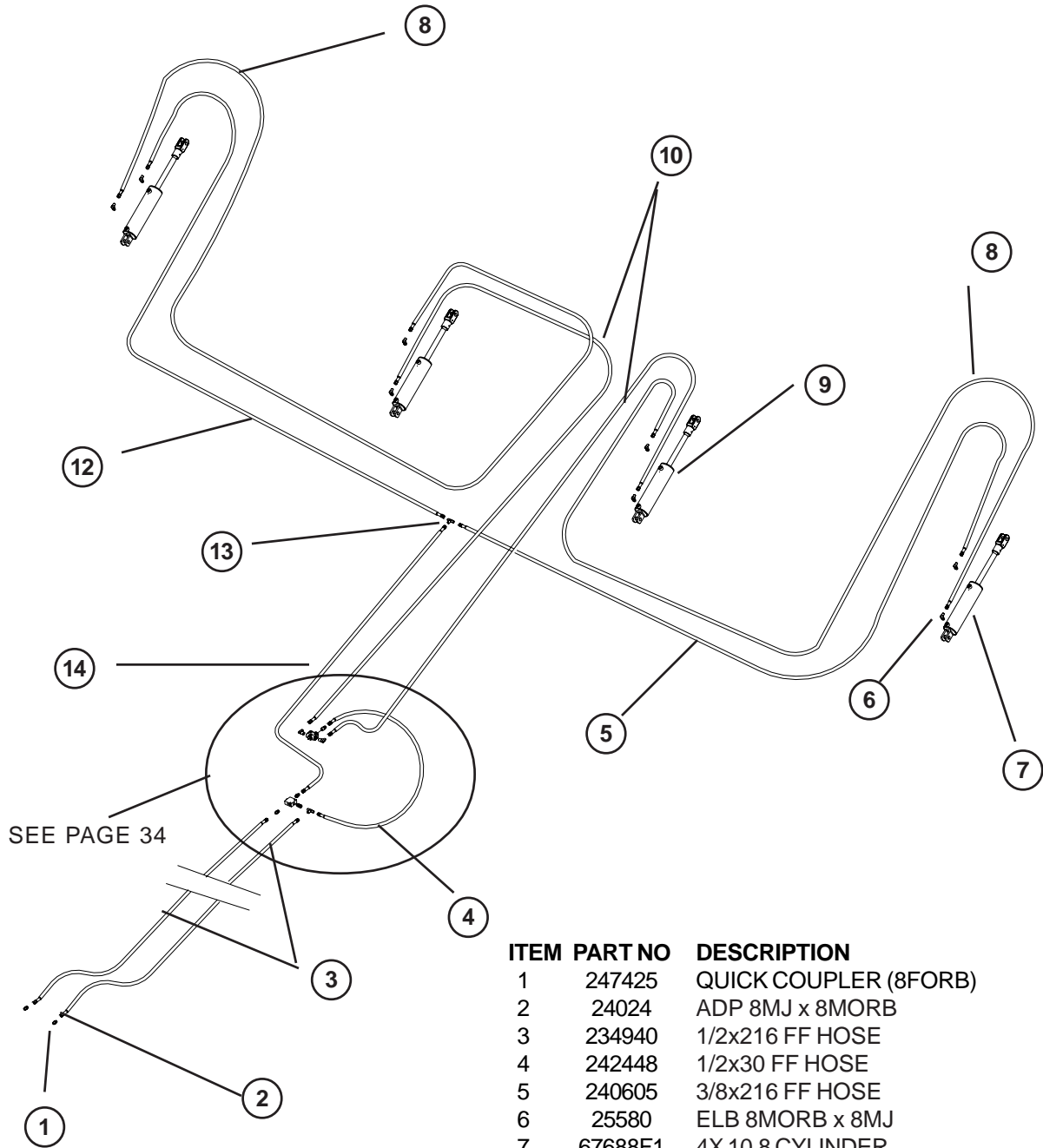
XL² WING FOLD HYDRAULICS

SERIAL # 457000-459350



ITEM	PART NO	DESCRIPTION	ITEM	PART NO	DESCRIPTION
1	60640	QUICK DISCONNECT COUPLER	12	13484	HYD HOSE 3/8" x 156" FF
2	13234	ADP 8MJ X 8MPT	13	235388	HYD HOSE 3/8" x 102" FF
3	25580	ELB 8MJ X 8MORB	14	67634	HYD HOSE 3/8" x 132" FF
4	24004	ADP 8MORB X 8FJX	15	237155	HYD HOSE 3/8" x 244" FF
5	15910	CROSS 8MJ x 8MJ x 8MJ x 8MJ	16	234947	HYD HOSE 3/8" x 194" FF
6	56534	TEE 8MJ x 8MJ x 8MORB	17	235386	HYD HOSE 3/8" x 137" FF
7	13238	TEE 8MJ x 8MJ x 8MJ	18	235387	HYD HOSE 3/8" x 168" FF
8	25591	ELB 8MJ X 8FJX	19	51229F	HYD CYL 4X30 FGS #A519CY02
9	62437	ELB 8MJ X 6MORB	20	233730	SEAL KIT 4IN (FGS-SK-ACBS4Q1S)
10	233688	HYD HOSE 3/8" x 252" FF		51242F	HYD CYL 3X30 FGS#A519CY11
11	14644	HYD HOSE 3/8" x 36" FF		233729	SEAL KIT 3IN (FGS-SK-ACBZ3Q1S)

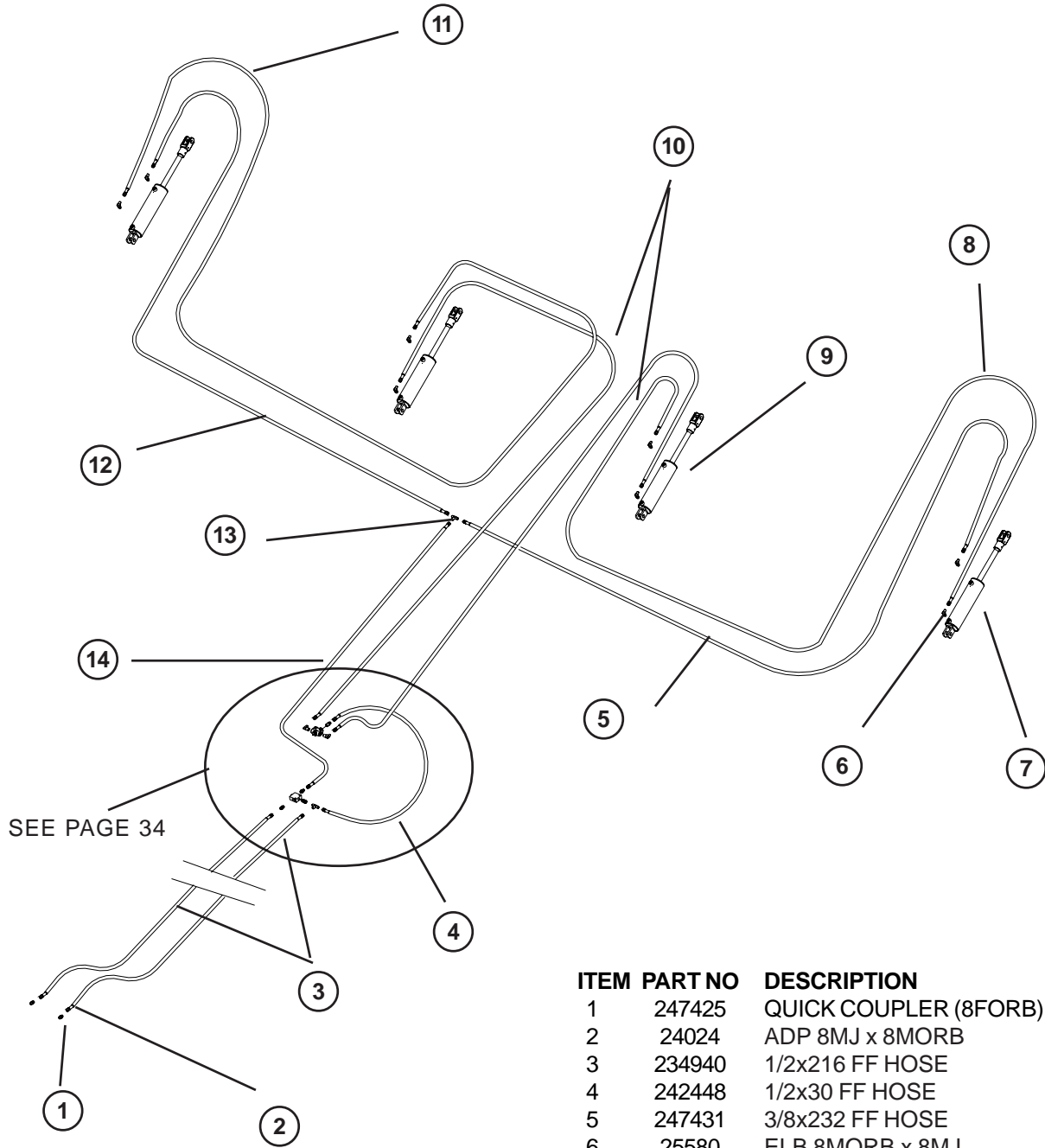
11 XL² 25
DEPTH CONTROL HYDRAULICS
SERIAL # 459350 - UP



ITEM	PART NO	DESCRIPTION
1	247425	QUICK COUPLER (8FORB)
2	24024	ADP 8MJ x 8MORB
3	234940	1/2x216 FF HOSE
4	242448	1/2x30 FF HOSE
5	240605	3/8x216 FF HOSE
6	25580	ELB 8MORB x 8MJ
7	67688F1	4X 10.8 CYLINDER
	239904	SEAL KIT 4" BP (FGS SK-ACXL4Q1S)
8	247432	3/8x400 FF HOSE
9	676831F1	4X 12.6 CYLINDER
	239904	SEAL KIT 4" BP (FGS SK-ACXL4Q1S)
10	247431	3/8x232FF HOSE
11	240605	3/8x216 FF HOSE
12	13238	TEE 8MJ x 8MJ x 8MJ
13	233250	1/2x80 FF HOSE

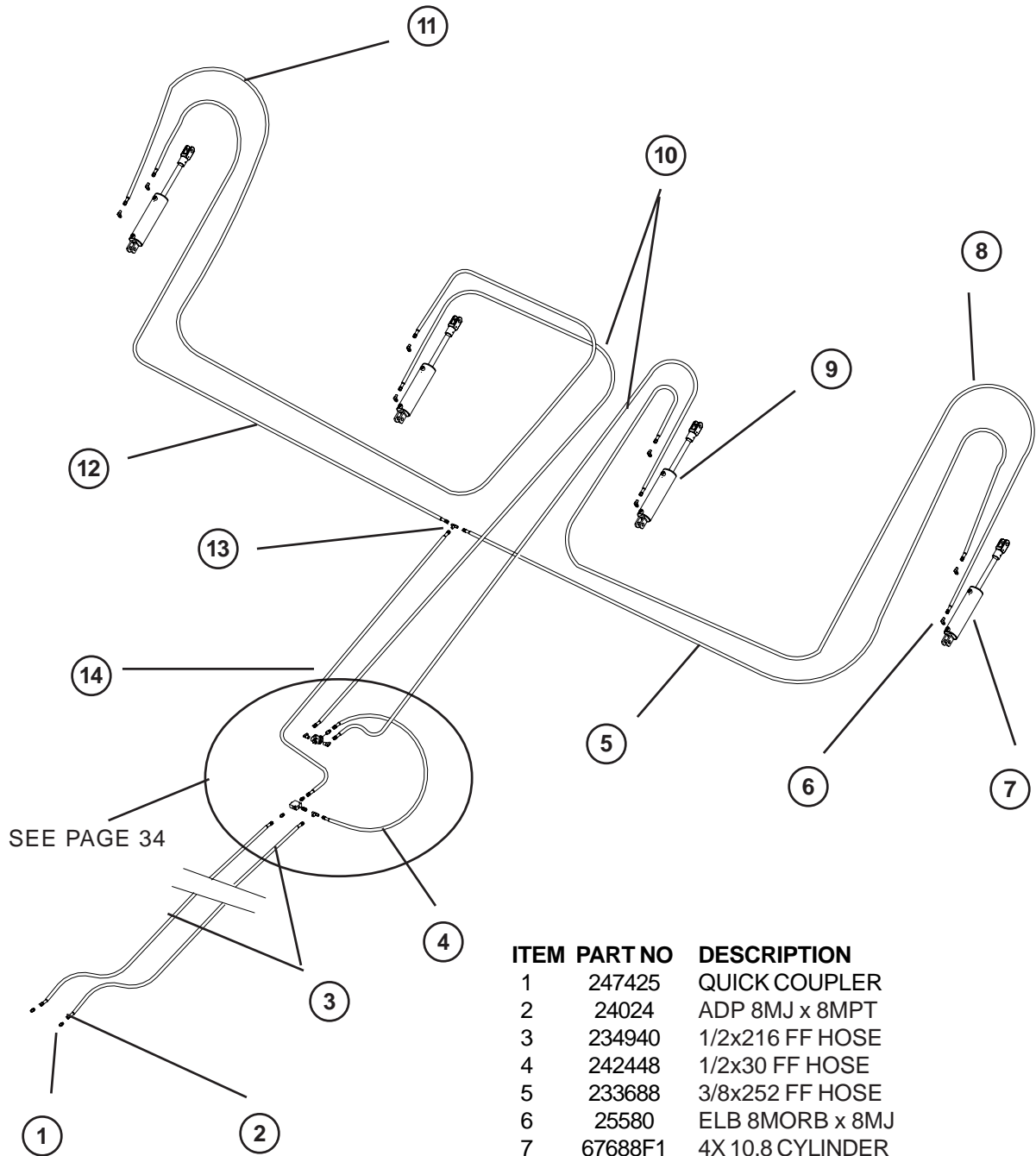
11 XL² 30

DEPTH CONTROL HYDRAULICS SERIAL # 459350 - UP



ITEM	PART NO	DESCRIPTION
1	247425	QUICK COUPLER (8FORB)
2	24024	ADP 8MJ x 8MORB
3	234940	1/2x216 FF HOSE
4	242448	1/2x30 FF HOSE
5	247431	3/8x232 FF HOSE
6	25580	ELB 8MORB x 8MJ
7	67688F1	4X 10.8 CYLINDER
	239904	SEAL KIT 4" BP (FGS SK-ACXL4Q1S)
8	247432	3/8x400 FF HOSE
9	676831F1	4X 12.6 CYLINDER
	239904	SEAL KIT 4" BP (FGS SK-ACXL4Q1S)
10	247431	3/8x232FF HOSE
11	247432	3/8x400 FF HOSE
12	247431	3/8x232 FF HOSE
13	13238	TEE 8MJ x 8MJ x 8MJ
14	233250	1/2x80 FF HOSE

13 XL² 32
DEPTH CONTROL HYDRAULICS
SERIAL # 459350 - UP

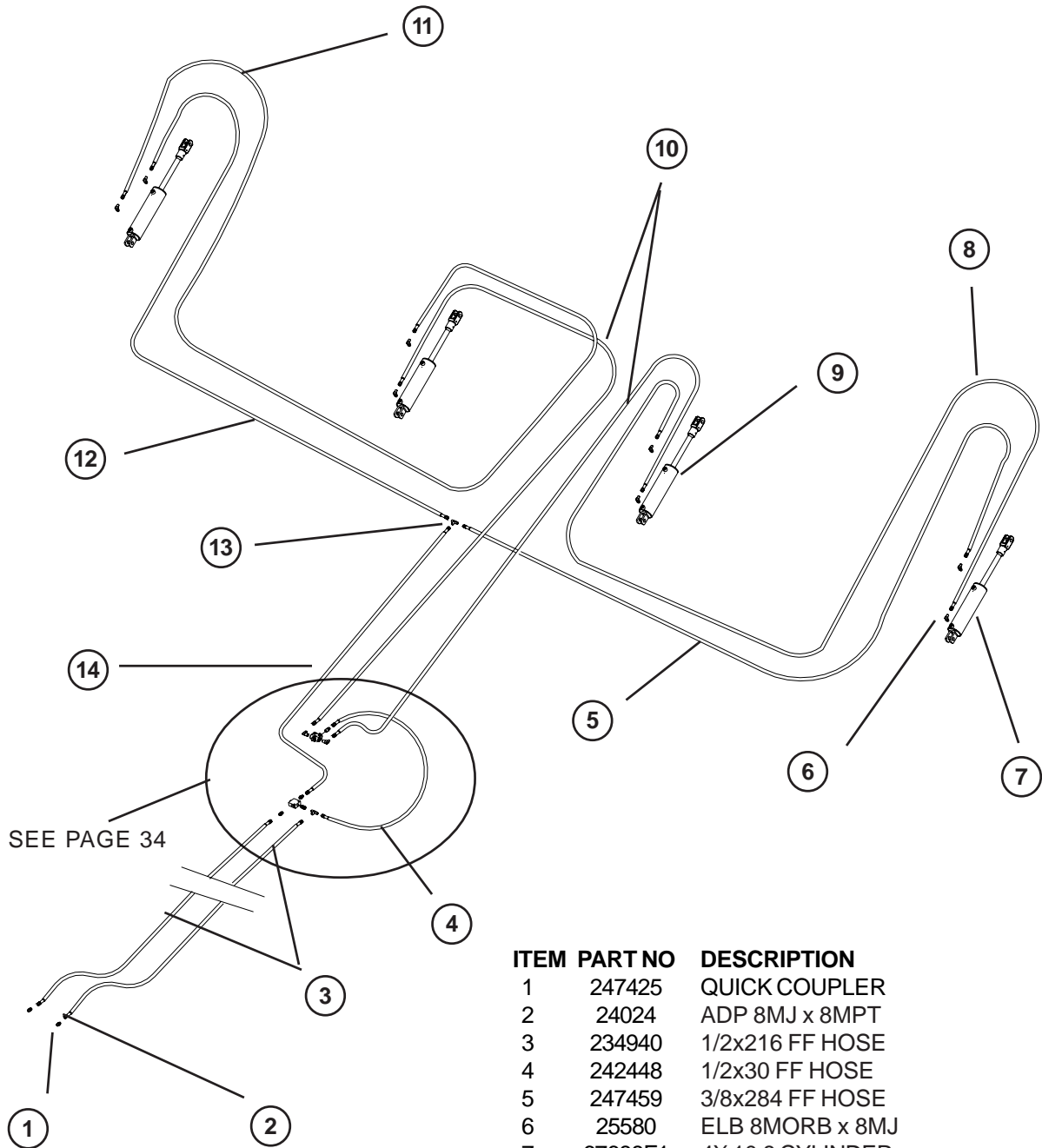


ITEM	PART NO	DESCRIPTION
1	247425	QUICK COUPLER
2	24024	ADP 8MJ x 8MPT
3	234940	1/2x216 FF HOSE
4	242448	1/2x30 FF HOSE
5	233688	3/8x252 FF HOSE
6	25580	ELB 8MORB x 8MJ
7	67688F1	4X 10.8 CYLINDER
	239904	SEAL KIT 4" BP (FGS SK-ACXL4Q1S)
8	247427	3/8x440 FF HOSE
9	676831F1	4X 12.6 CYLINDER
	239904	SEAL KIT 4" BP (FGS SK-ACXL4Q1S)
10	247428	3/8x264 FF HOSE
11	237913	3/8x460 FF HOSE
12	233688	3/8x252 FF HOSE
13	13238	TEE 8MJ x 8MJ x 8MJ
14	233250	1/2x80 FF HOSE

13 XL² 37

DEPTH CONTROL HYDRAULICS

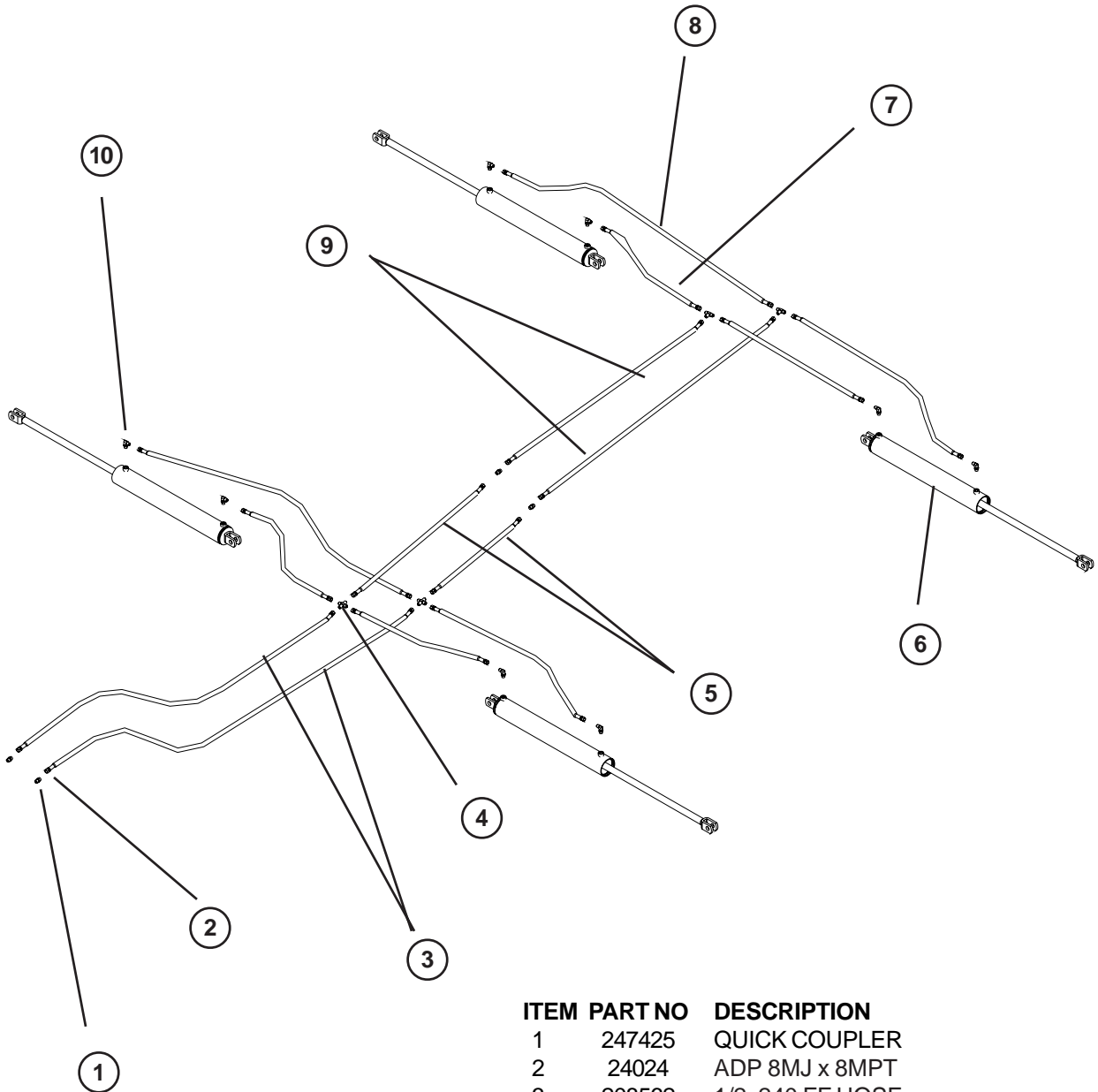
SERIAL # 459350 - UP



ITEM	PART NO	DESCRIPTION
1	247425	QUICK COUPLER
2	24024	ADP 8MJ x 8MPT
3	234940	1/2x216 FF HOSE
4	242448	1/2x30 FF HOSE
5	247459	3/8x284 FF HOSE
6	25580	ELB 8MORB x 8MJ
7	67688F1	4X 10.8 CYLINDER
	239904	SEAL KIT 4" BP (FGS SK-ACXL4Q1S)
8	237913	3/8x460 FF HOSE
9	676831F1	4X 12.6 CYLINDER
	239904	SEAL KIT 4" BP (FGS SK-ACXL4Q1S)
10	247428	3/8x264 FF HOSE
11	237913	3/8x460 FF HOSE
12	247459	3/8x284 FF HOSE
13	13238	TEE 8MJ x 8MJ x 8MJ
14	233250	1/2x80 FF HOSE

11 XL² 30

FOLD HYDRAULICS SERIAL # 459350 - UP

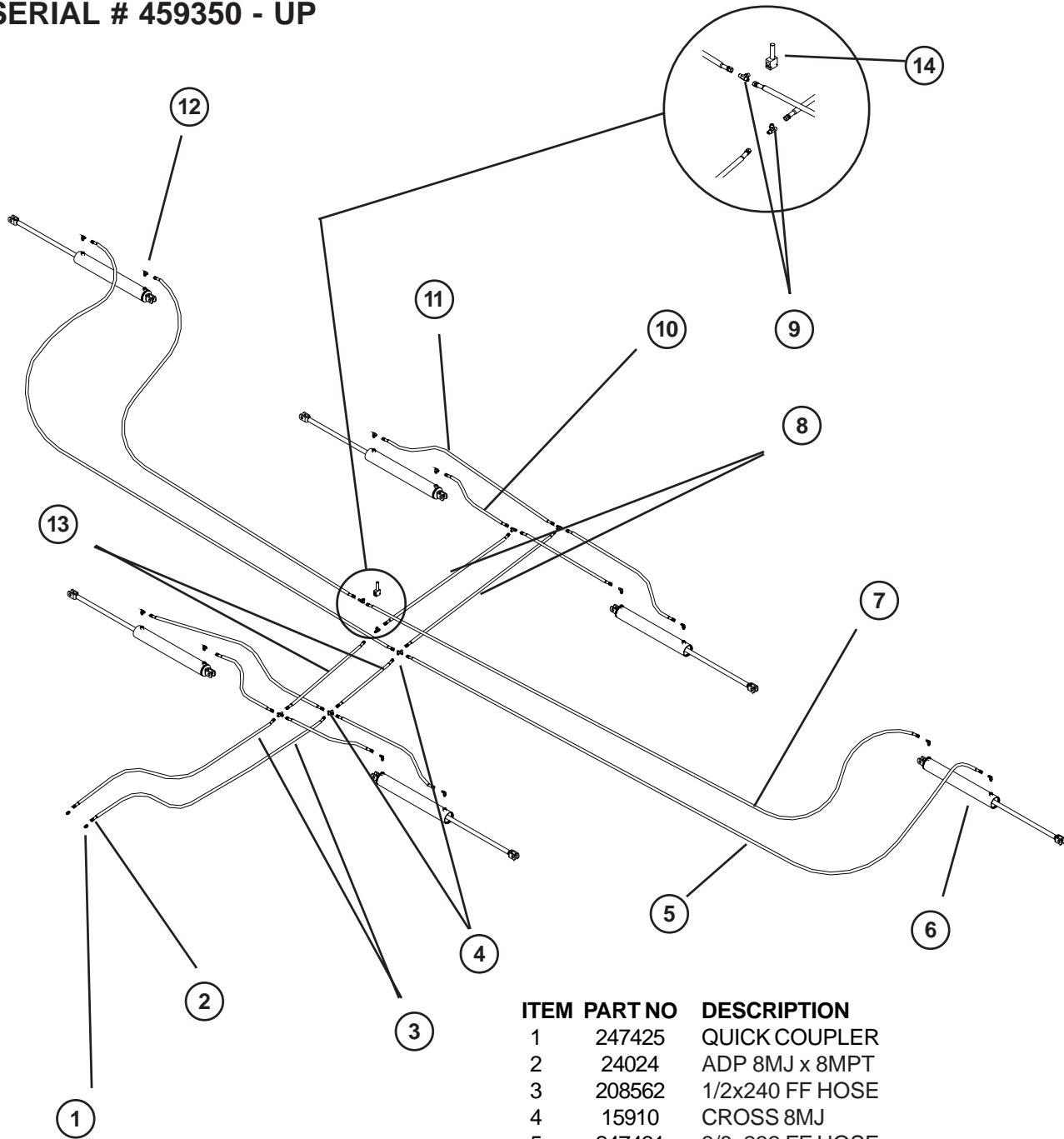


ITEM	PART NO	DESCRIPTION
1	247425	QUICK COUPLER
2	24024	ADP 8MJ x 8MPT
3	208562	1/2x240 FF HOSE
4	15910	CROSS 8MJ
5	25602	1/2x65 FF HOSE
6	51229F	4 X 30 CYLINDER
	233730	SEAL KIT 4IN (FGS-SK-ACBS4Q1S)
7	13423	3/8x24 FF HOSE
8	13265	3/8x56 FF HOSE
9	25602	3/8x65 FF HOSE
10	25580	ELB 8MORBx 8MJ

11 XL² 30 W/OUTER WINGS

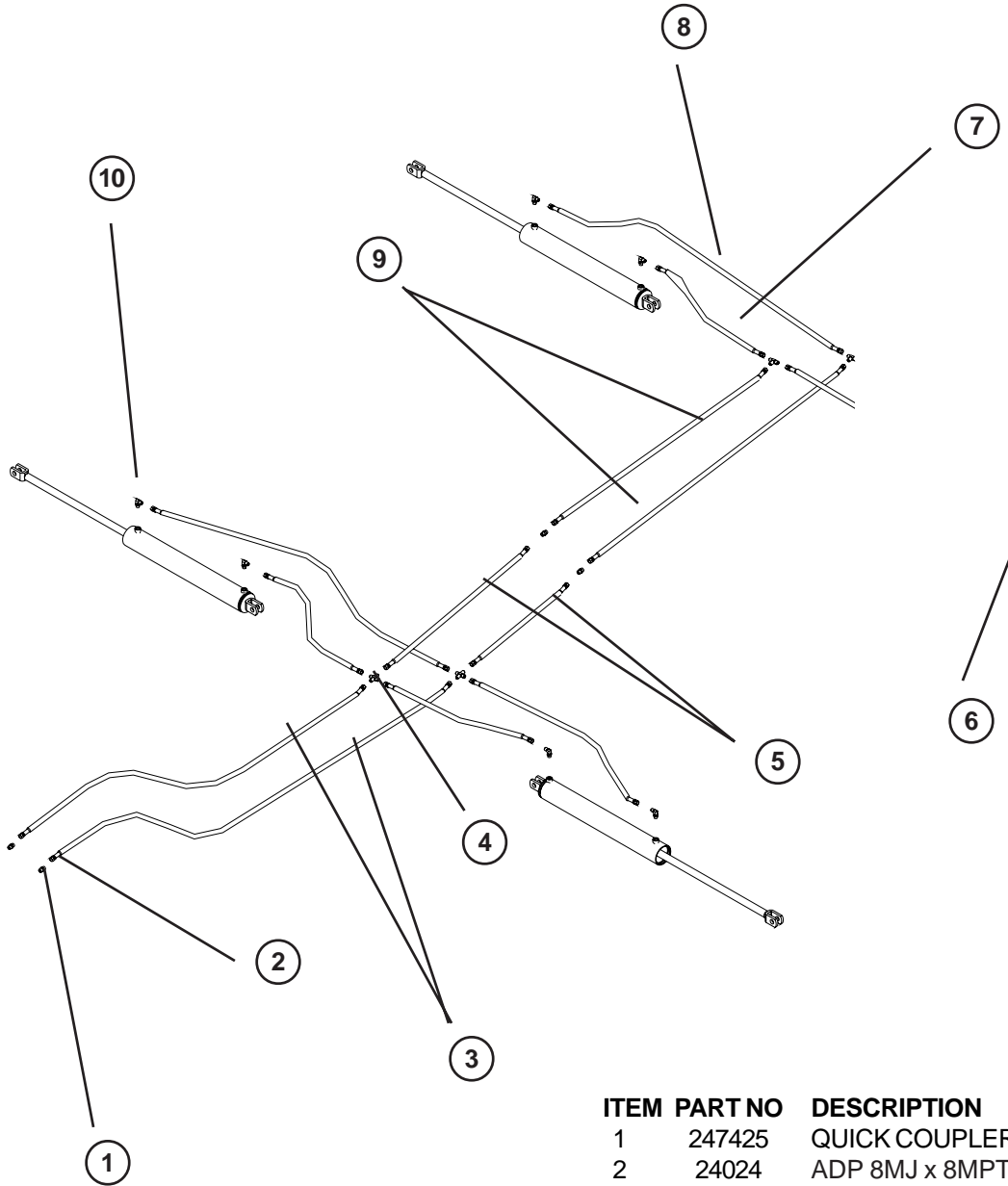
FOLD HYDRAULICS

SERIAL # 459350 - UP



ITEM	PART NO	DESCRIPTION
1	247425	QUICK COUPLER
2	24024	ADP 8MJ x 8MPT
3	208562	1/2x240 FF HOSE
4	15910	CROSS 8MJ
5	247431	3/8x232 FF HOSE
6	51229F	4 X 30 CYLINDER
	233730	SEAL KIT 4IN (FGS-SK-ACBS4Q1S)
7	240605	3/8x216 FF HOSE
8	25602	3/8x65 FF HOSE
9	56534	TEE 8MJ X 8MJ X8ORB
10	13423	3/8x24 FF HOSE
11	13265	3/8x56 FF HOSE
12	25580	ELB 8MORB x 8MJ
13	25602	1/2x65 FF HOSE
14	65870	SEQUENCE VALVE

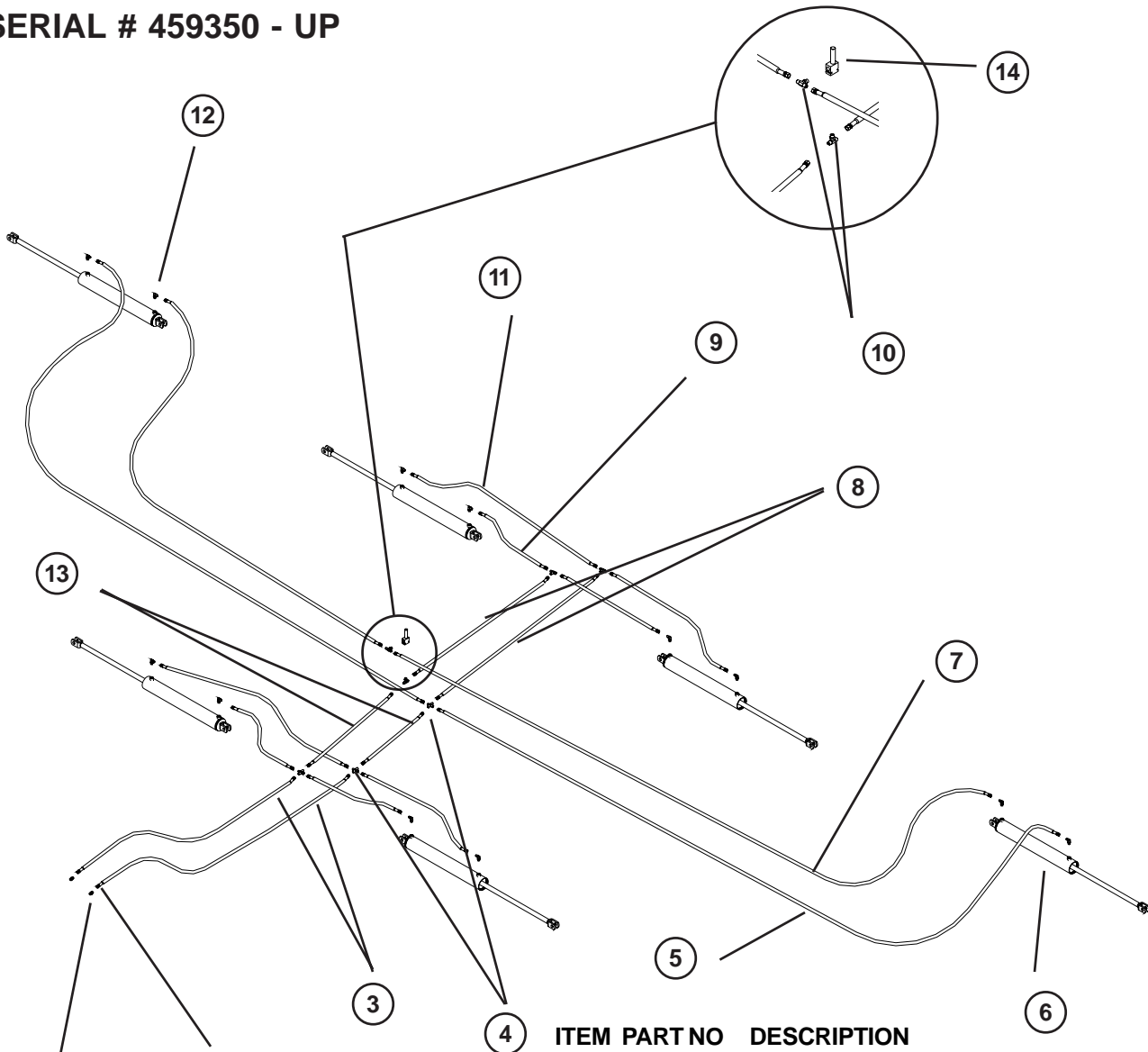
13 XL² 32 & 37
FOLD HYDRAULICS
SERIAL # 459350 - UP



ITEM	PART NO	DESCRIPTION
1	247425	QUICK COUPLER
2	24024	ADP 8MJ x 8MPT
3	208562	1/2x240 FF HOSE
4	15910	CROSS 8MJ
5	25602	1/2x65 FF HOSE
6	51229F	4 X 30 CYLINDER
	233730	SEAL KIT 4IN (FGS-SK-ACBS4Q1S)
7	14644	3/8x36 FF HOSE
8	67636	3/8x72 FF HOSE
9	25602	3/8x65 FF HOSE
10	25580	ELB 8MORBx 8MJ

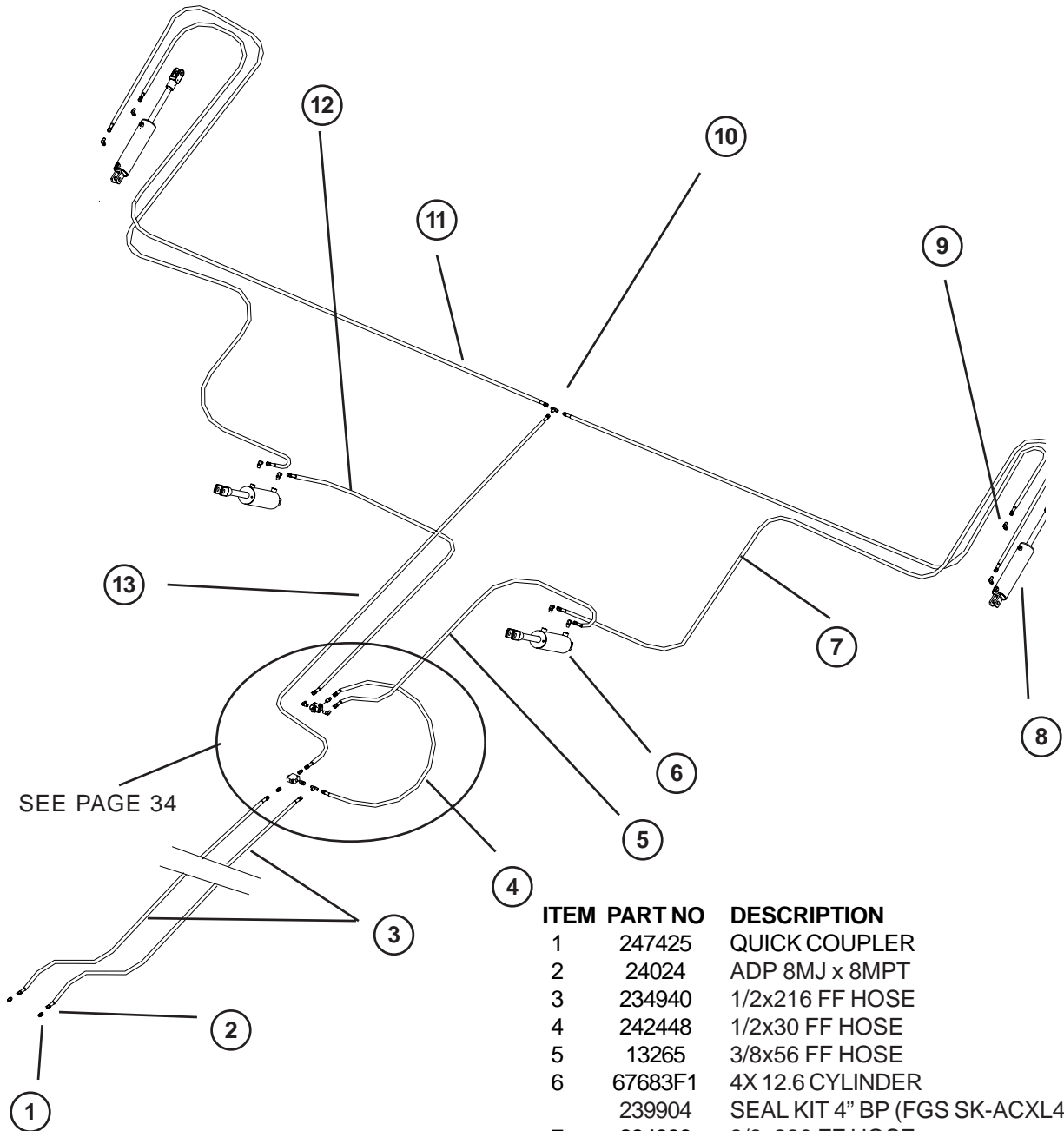
13 XL² 32 & 37 W/OUTER WINGS

FOLD HYDRAULICS
SERIAL # 459350 - UP



ITEM	PART NO	DESCRIPTION
1	247425	QUICK COUPLER
2	24024	ADP 8MJ x 8MPT
3	208562	1/2x240 FF HOSE
4	15910	CROSS 8MJ
5	67576	3/8x244 (13-32) FF HOSE
	237155)	3/ 8x276 (13-37) FF HOSE
6	51229F	4 X 30 CYLINDER
	233730	SEAL KIT 4IN (FGS-SK-ACBS4Q1S)
7	247428	3/8x232 FF HOSE (13-32)
	247431	3/8x264 FF HOSE (13-37)
8	56534	3/8x65 FF HOSE
9	14844	3/8x36 FF HOSE
10	56534	TEE 8MJ X 8MJ X8ORB
11	67636	3/8x72 FF HOSE
12	25580	ELB 8MORB x 8MJ
13	25602	1/2x65 FF HOSE
14	65870	SEQUENCE VALVE

**DEPTH CONTROL HYDRAULICS
SERIAL # 459350 - UP**

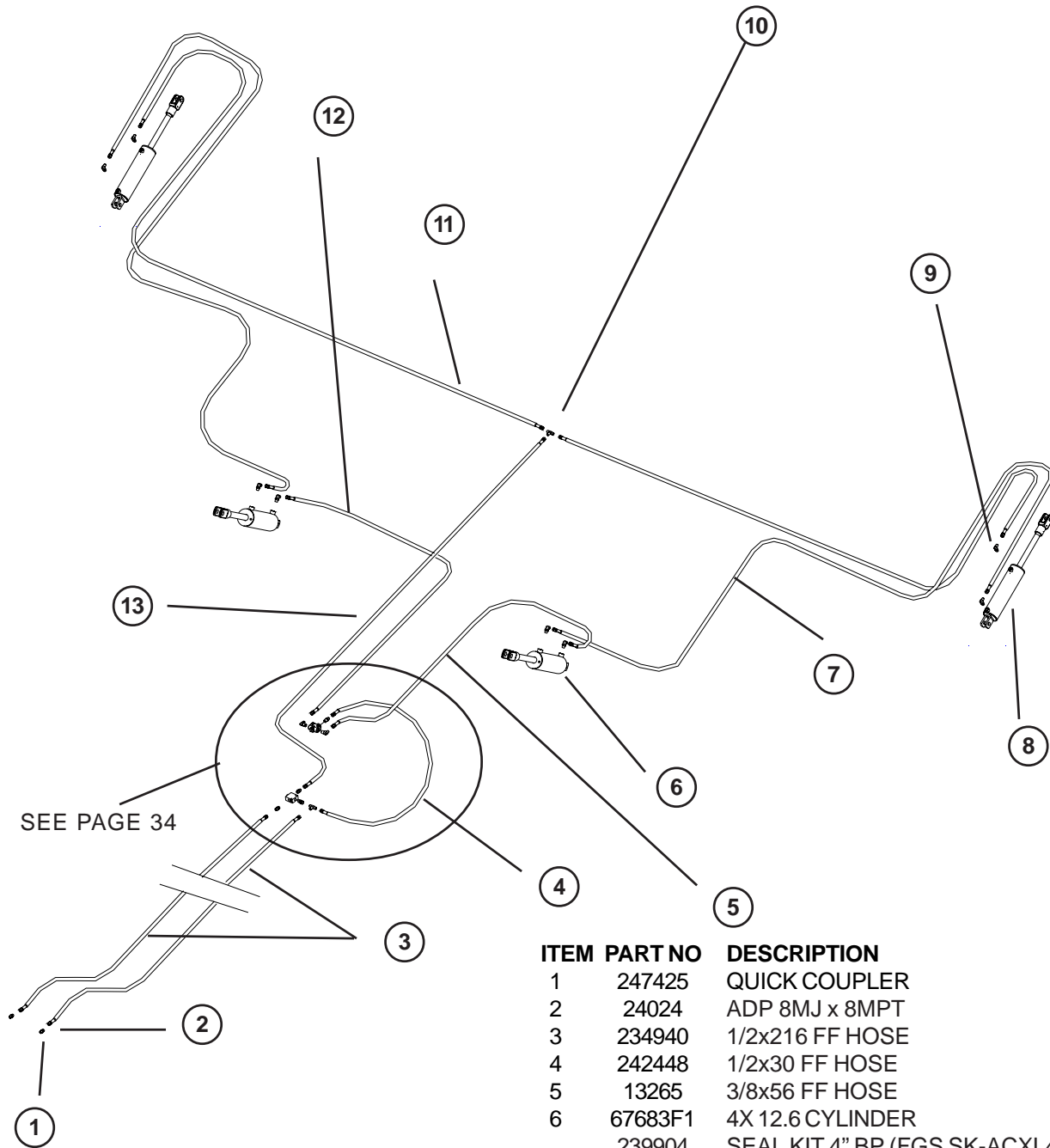


ITEM	PART NO	DESCRIPTION
1	247425	QUICK COUPLER
2	24024	ADP 8MJ x 8MPT
3	234940	1/2x216 FF HOSE
4	242448	1/2x30 FF HOSE
5	13265	3/8x56 FF HOSE
6	67683F1	4X 12.6 CYLINDER
	239904	SEAL KIT 4" BP (FGS SK-ACXL4Q1S)
7	234939	3/8x220 FF HOSE
8	67688F1	4X 10.8 CYLINDER
	239904	SEAL KIT 4" BP (FGS SK-ACXL4Q1S)
9	25580	ELB 8MORB x 8MJ
10	13238	TEE 8MJ x8MJ x 8MJ
11	247431	3/8x232 FF HOSE
12	13484	3/8x156 FF HOSE
13	233250	1/2x80 FF HOSE

QX² 32

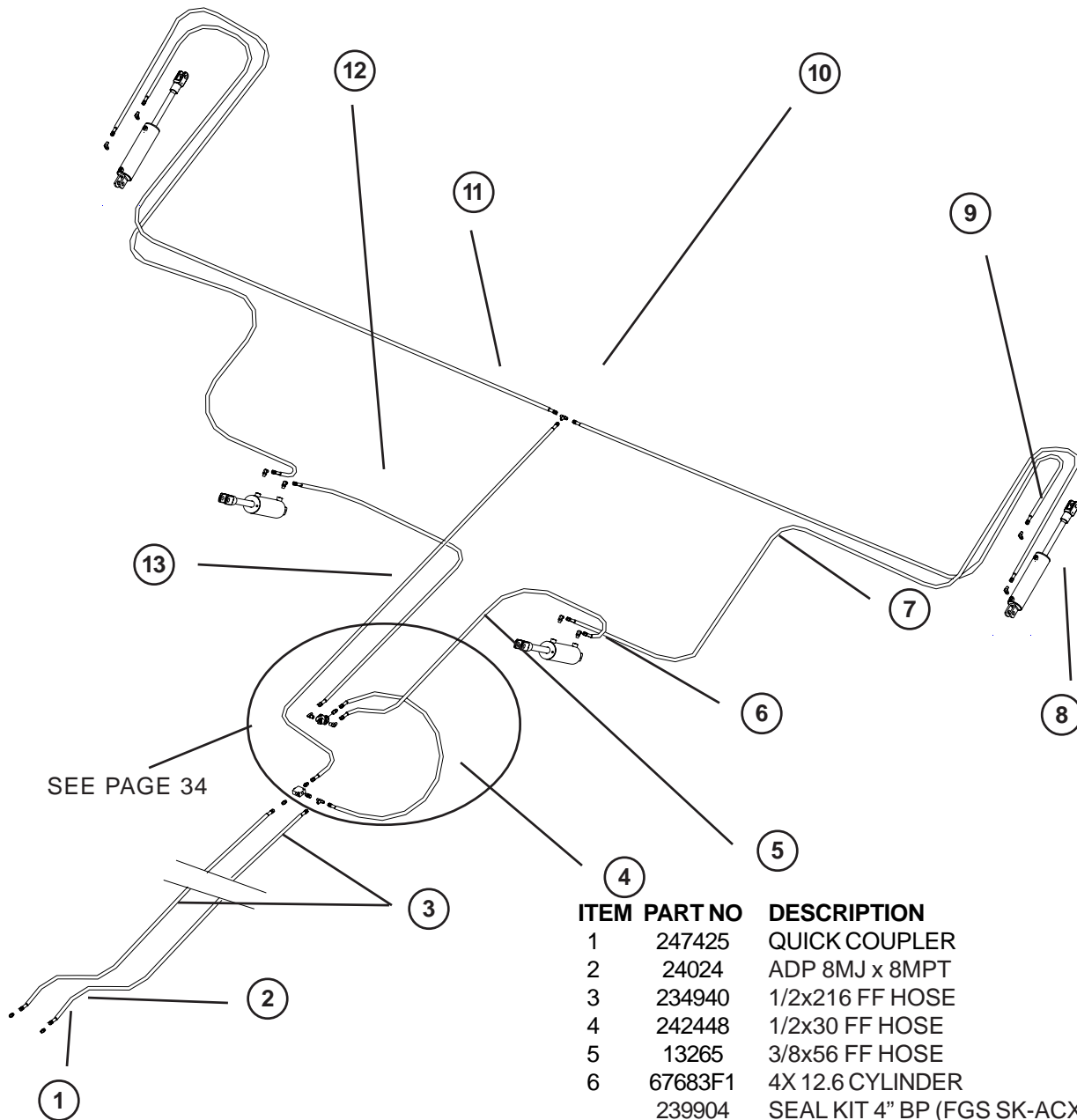
DEPTH CONTROL HYDRAULICS

SERIAL # 459350 - UP



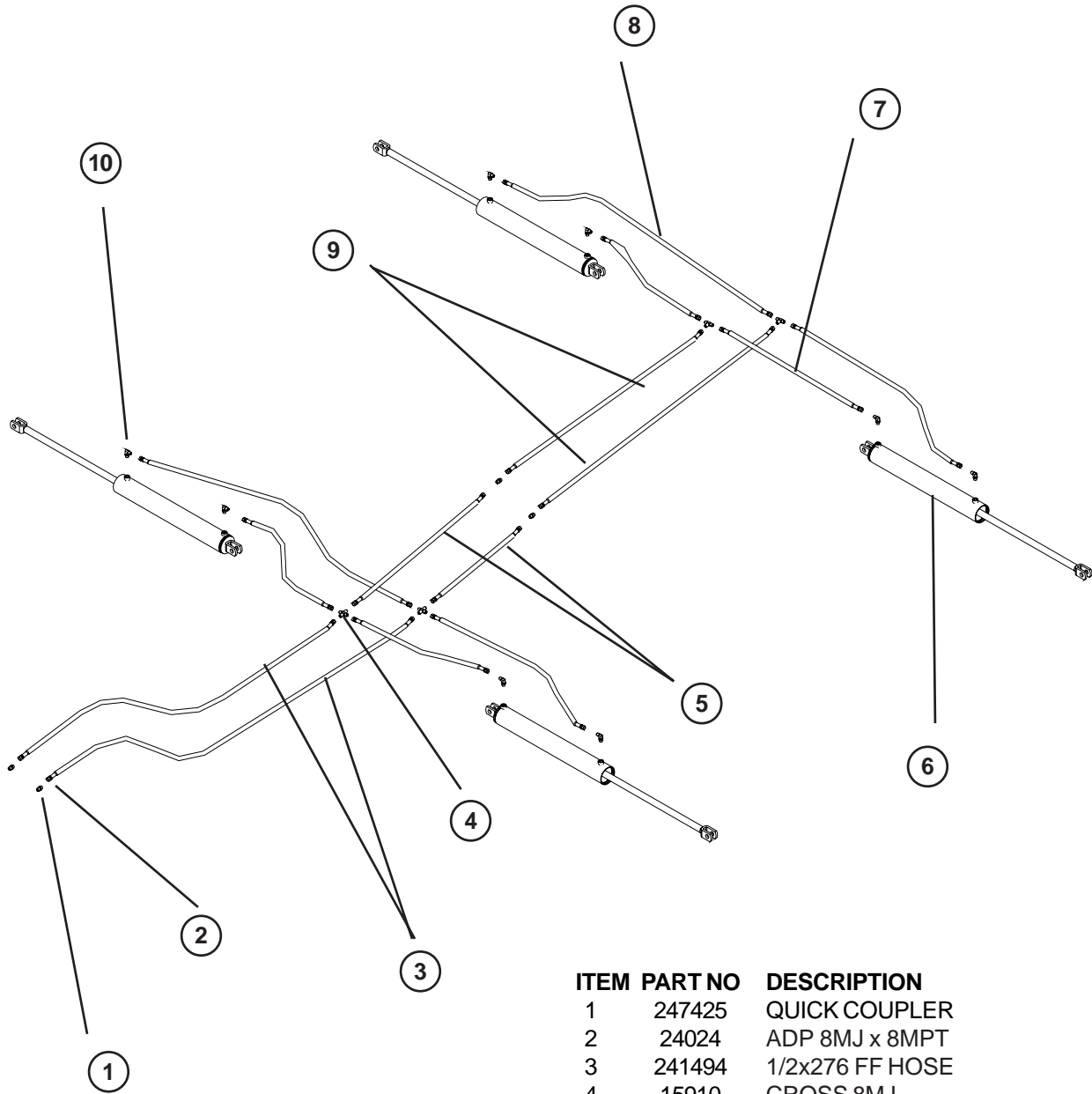
ITEM	PART NO	DESCRIPTION
1	247425	QUICK COUPLER
2	24024	ADP 8MJ x 8MPT
3	234940	1/2x216 FF HOSE
4	242448	1/2x30 FF HOSE
5	13265	3/8x56 FF HOSE
6	67683F1	4X 12.6 CYLINDER
	239904	SEAL KIT 4" BP (FGS SK-ACXL4Q1S)
7	233688	3/8x252 FF HOSE
8	67688F1	4X 10.8 CYLINDER
	239904	SEAL KIT 4" BP (FGS SK-ACXL4Q1S)
9	25580	ELB 8MORB x 8MJ
10	13238	TEE 8MJ x8MJ x 8MJ
11	233688	3/8x252 FF HOSE
12	13484	3/8x156 FF HOSE
13	233250	1/2x80 FF HOSE

**DEPTH CONTROL HYDRAULICS
SERIAL # 459350 - UP**



ITEM	PART NO	DESCRIPTION
1	247425	QUICK COUPLER
2	24024	ADP 8MJ x 8MPT
3	234940	1/2x216 FF HOSE
4	242448	1/2x30 FF HOSE
5	13265	3/8x56 FF HOSE
6	67683F1	4X 12.6 CYLINDER
	239904	SEAL KIT 4" BP (FGS SK-ACXL4Q1S)
7	67576	3/8x276 FF HOSE
8	67688F1	4X 10.8 CYLINDER
	239904	SEAL KIT 4" BP (FGS SK-ACXL4Q1S)
9	25580	ELB 8MORB x 8MJ
10	13238	TEE 8MJ x8MJ x 8MJ
11	247459	3/8x284 FF HOSE
12	13484	3/8x156 FF HOSE
13	233250	1/2x80 FF HOSE

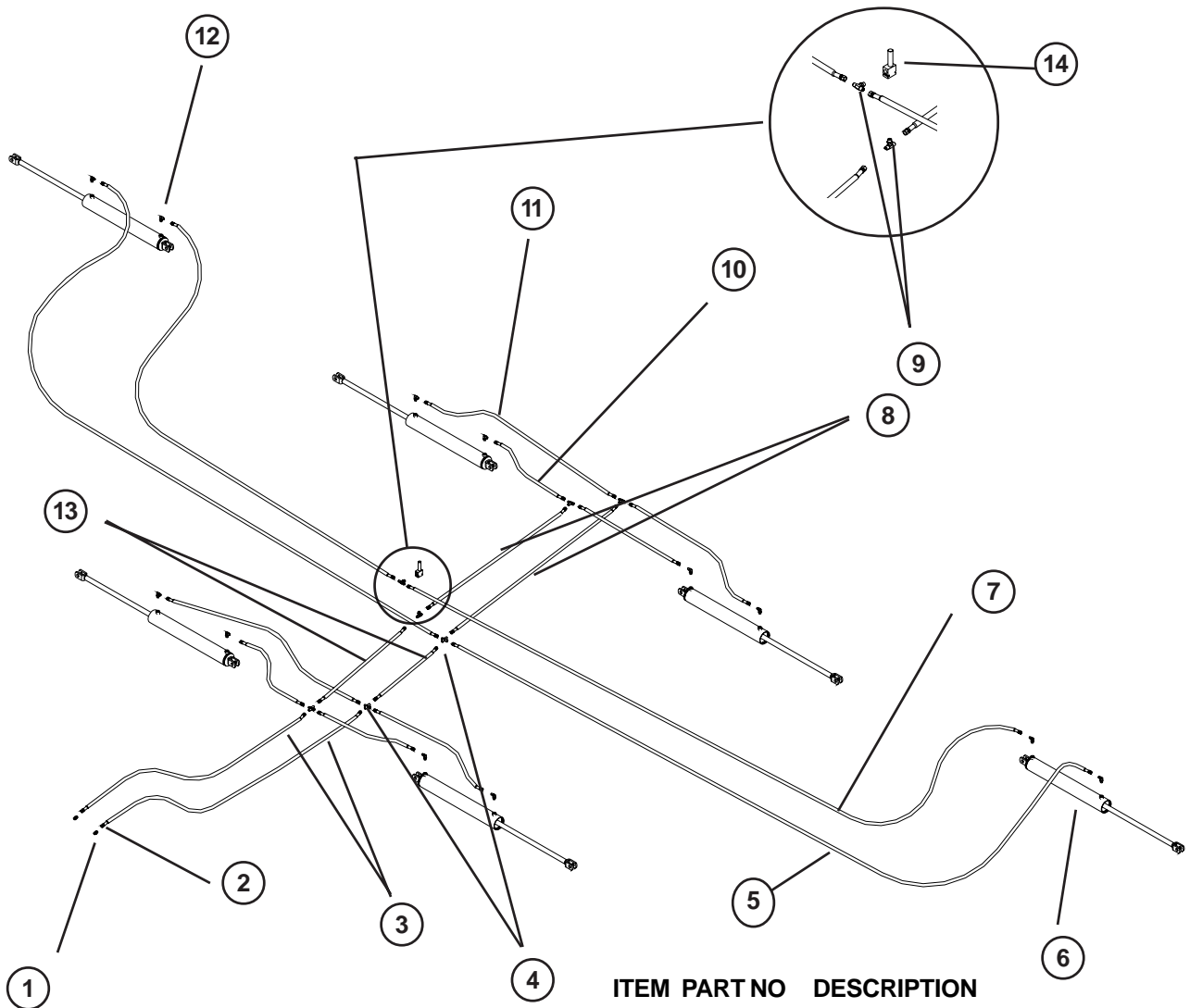
13 QX² 32 & 37
FOLD HYDRAULICS
SERIAL # 459350 - UP



ITEM	PART NO	DESCRIPTION
1	247425	QUICK COUPLER
2	24024	ADP 8MJ x 8MPT
3	241494	1/2x276 FF HOSE
4	15910	CROSS 8MJ
5	242448	1/2x30 FF HOSE
	233730	SEAL KIT 4IN (FGS-SK-ACBS4Q1S)
6	51229F	4 X 30 CYLINDER
7	14644	3/8x36 FF HOSE
8	67636	3/8x72 FF HOSE
9	25602	3/8x65 FF HOSE
10	25580	ELB 8MORB x 8MJ

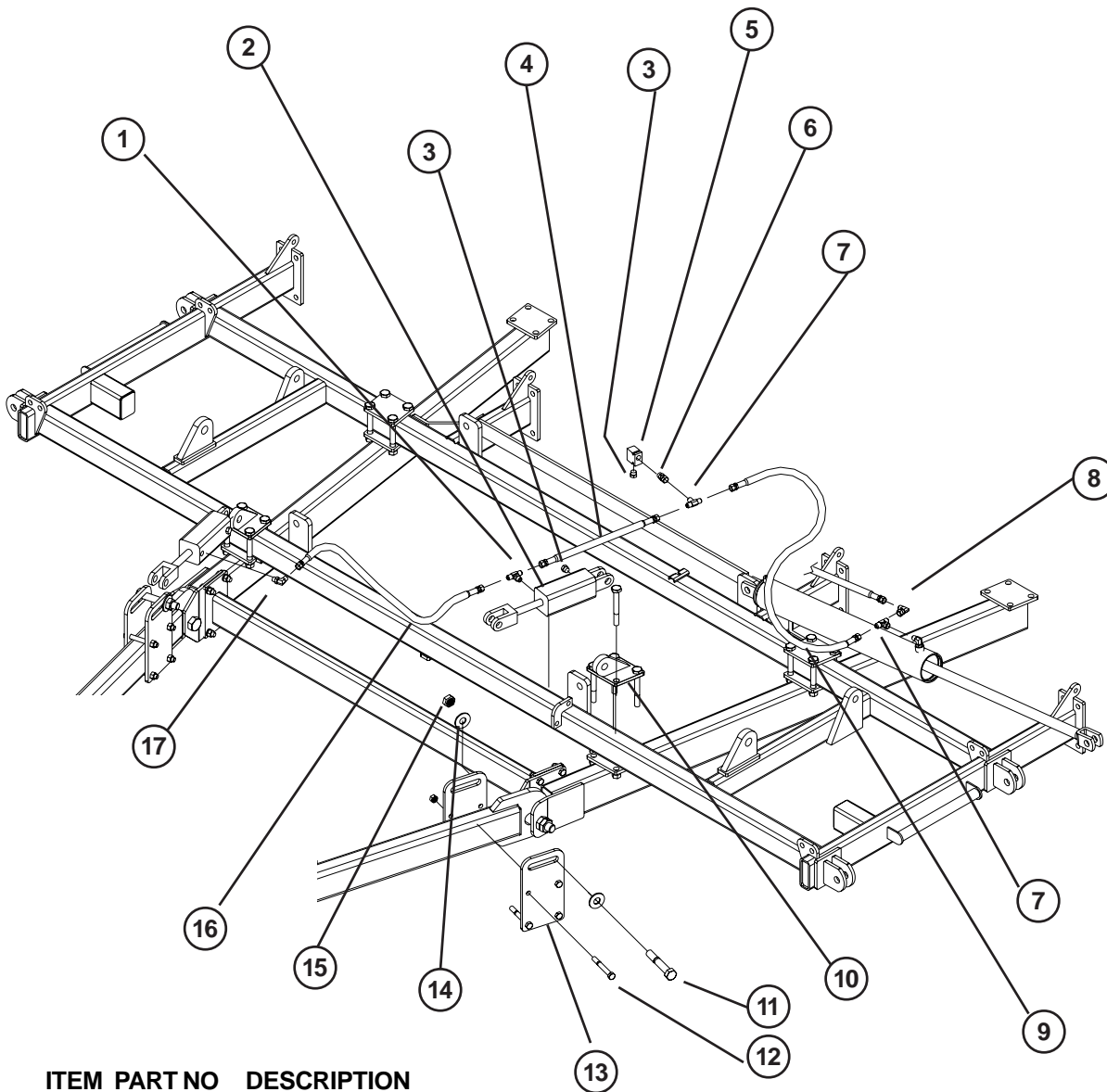
13 QX² 32 & 37 W/OUTER WINGS

FOLD HYDRAULICS
SERIAL # 459350 - UP



ITEM	PART NO	DESCRIPTION
1	247425	QUICK COUPLER
2	24024	ADP 8MJ x 8MPT
3	241494	1/2x276 FF HOSE
4	15910	CROSS 8MJ
5	237155	3/8x244 (13-32) FF HOSE
	67576	3/8x276 (13-37) FF HOSE
6	51229F	4 X 30 CYLINDER
	233730	SEAL KIT 4IN (FGS-SK-ACBS4Q1S)
7	247431	3/8x232 FF HOSE (13-32)
	247428	3/8x264 FF HOSE (13-37)
8	25602	3/8x65 FF HOSE
9	56534	TEE 8MJ X 8MJ X8ORB
10	14644	3/8x36 FF HOSE
11	67636	3/8x72 FF HOSE
12	25580	ELB 8MORB x 8MJ
13	247430	11/2x30 FF HOSE
14	65870	SEQUENCE VALVE

OPTIONAL - HYD WEIGHT BALANCE KIT

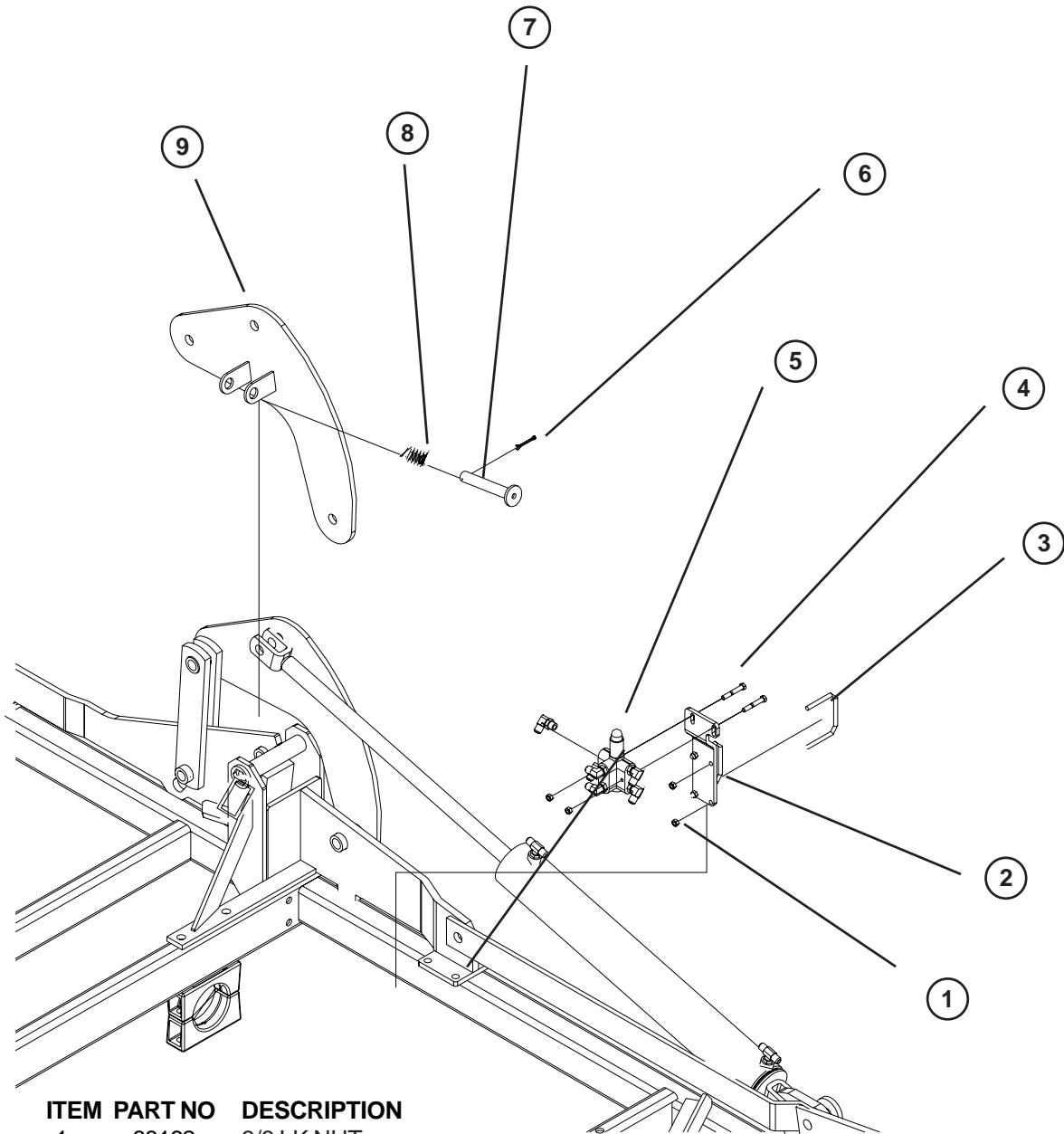


700740

ITEM	PART NO	DESCRIPTION
1	56534	TEE 8MJ X 8MJ X 8MORB
2	223324	CYLINDER 2-1/2 X 8
3	247435	BREATHER
4	13423	3/8 X 24 FF HOSE
5	247423	RELIEF VALVE
6	24004	ADP 8MORB X 8FJX
7	13238	TEE 8MJ X 8MJ X 8MJ
8	25591	ELB 8MJ X 8FJX
9	56539	3/8 X 50 FF HOSE
10	247418	ANCHOR (LH)
	247417	ANCHOR (RH)
11	88264	BOLT 1 X 6
12	88395	BOLT 5/8 X 5

ITEM	PART NO	DESCRIPTION
13	247421	PLATE
14	88196	1" FLAT WASHER
15	88348	1" LK NUT
16	67636	3/8 X 72 FF HOSE
17	25580	ELB 8MORB X 8MJ

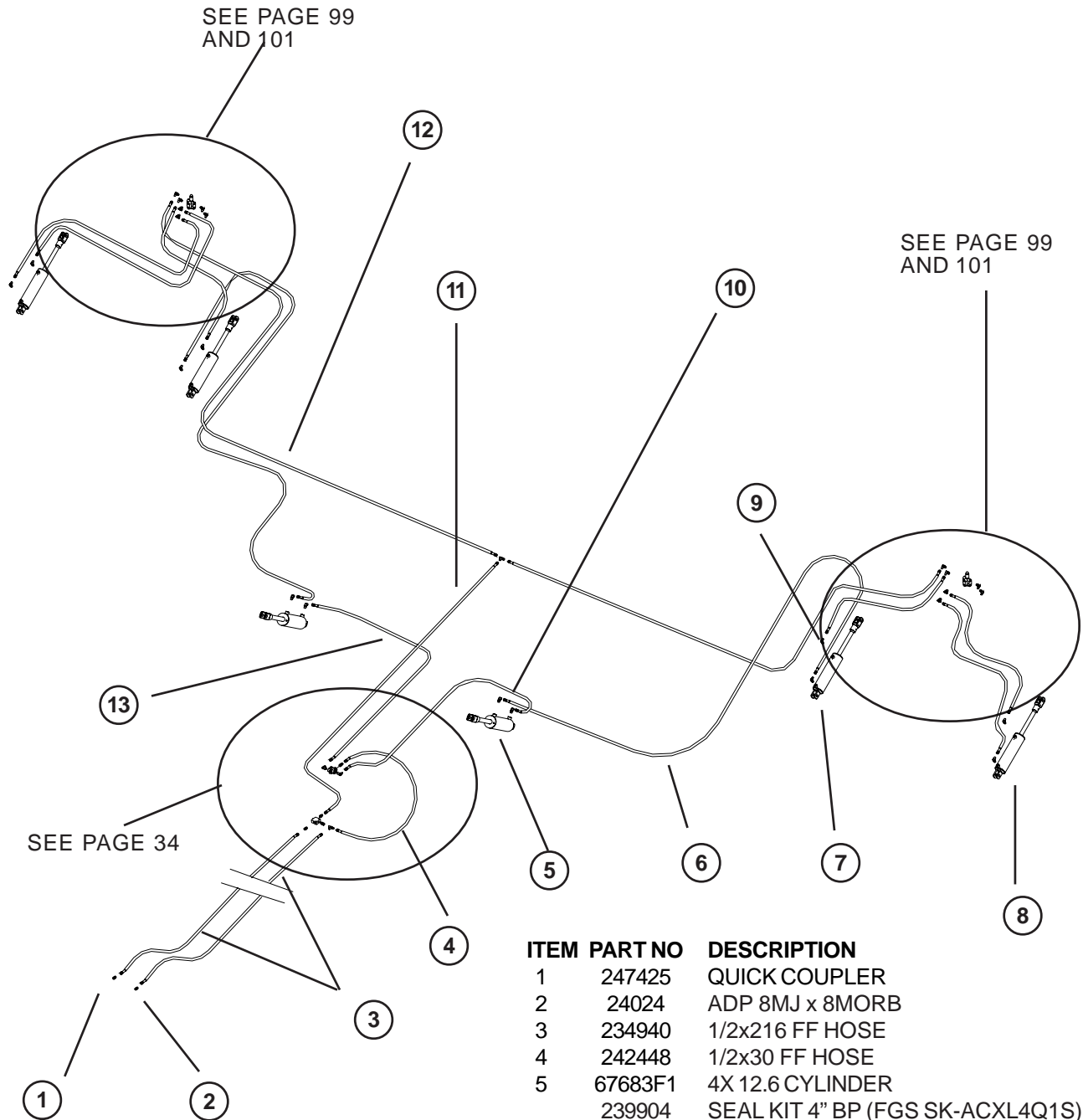
VALVE MOUNT
SERIAL # 459350 - UP



ITEM	PART NO	DESCRIPTION
1	88162	3/8 LK NUT
2	247265	MOUNT PLATE (RH)
	247235	MOUNT PLATE (LH)
3	88514	BLT-U 3/8-16NCX4X3-3/4
4	89012	BLT HEX 3/8-16NC X 2-1/2
5	247257	SELECTOR VALVE
6	247234	PIN COT 3/16DIA X 2
7	67576	3/8x276 FF HOSE
8	69302	SPRING
9	247233	OUTER WING FOLD PLATE W/ EARS LH
	247261	OUTER WING FOLD PLATE W/ EARS RH

QX² 46

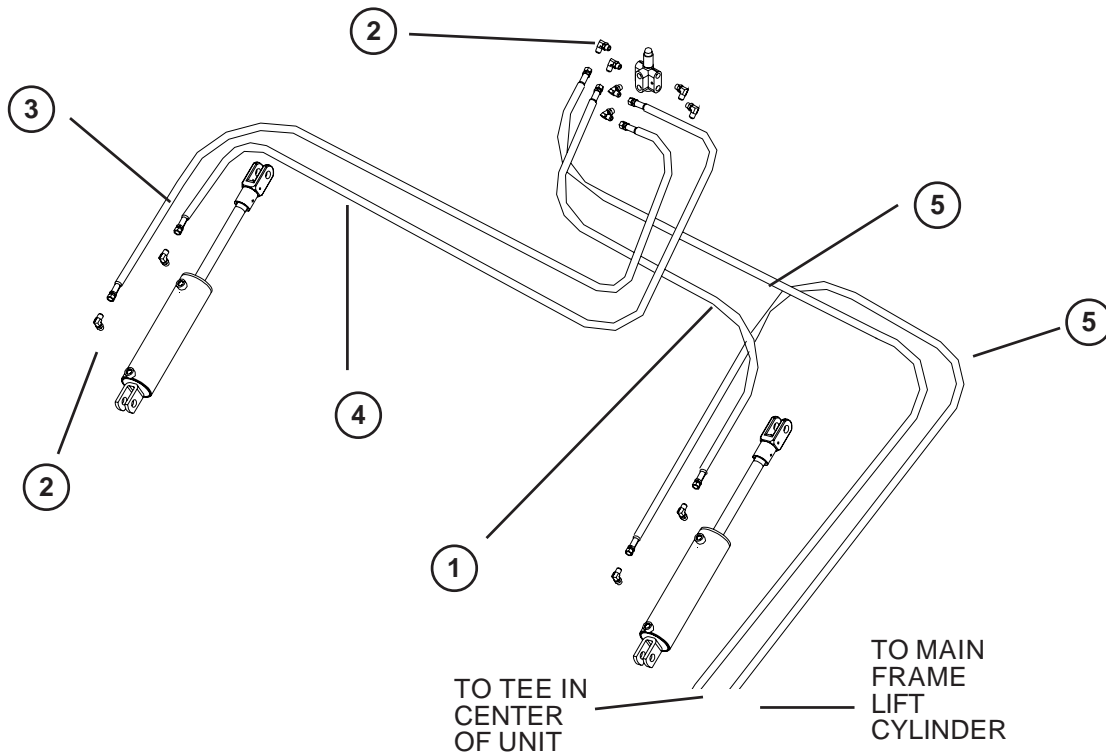
DEPTH CONTROL HYDRAULICS SERIAL # 459350 - UP



ITEM	PART NO	DESCRIPTION
1	247425	QUICK COUPLER
2	24024	ADP 8MJ x 8MORB
3	234940	1/2x216 FF HOSE
4	242448	1/2x30 FF HOSE
5	67683F1	4X 12.6 CYLINDER
	239904	SEAL KIT 4" BP (FGS SK-ACXL4Q1S)
6	233688	3/8x252 FF HOSE
7	67688F1	4X 10.8 CYLINDER
	239904	SEAL KIT 4" BP (FGS SK-ACXL4Q1S)
8	220761F1	4X 9.3 CYLINDER
	239904	SEAL KIT 4" BP (FGS SK-ACXL4Q1S)
9	25580	ELB 8MORB x 8MJ
10	13265	3/8x56 FF HOSE
11	233250	1/2x80 FF HOSE
12	233688	3/8x252 FF HOSE
13	13484	3/8x156 FF HOSE

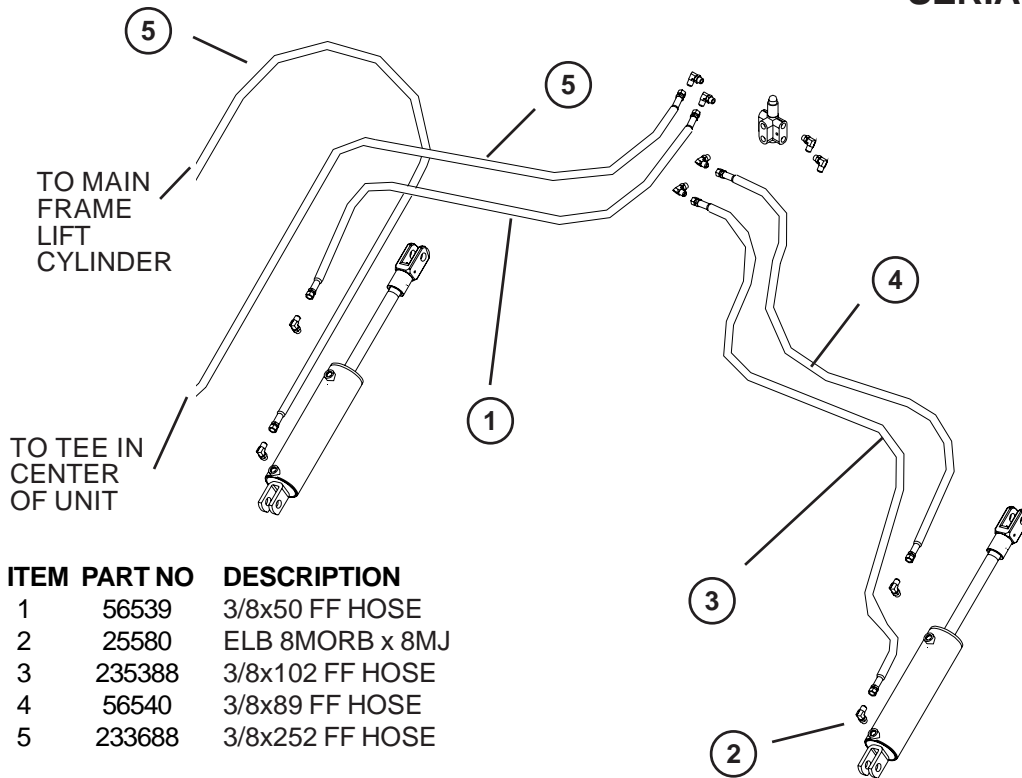
QX² 46 RIGHT OUTER WING MAIN LIFT

SERIAL # 459350 - UP



QX² 46 LEFT OUTER WING MAIN LIFT

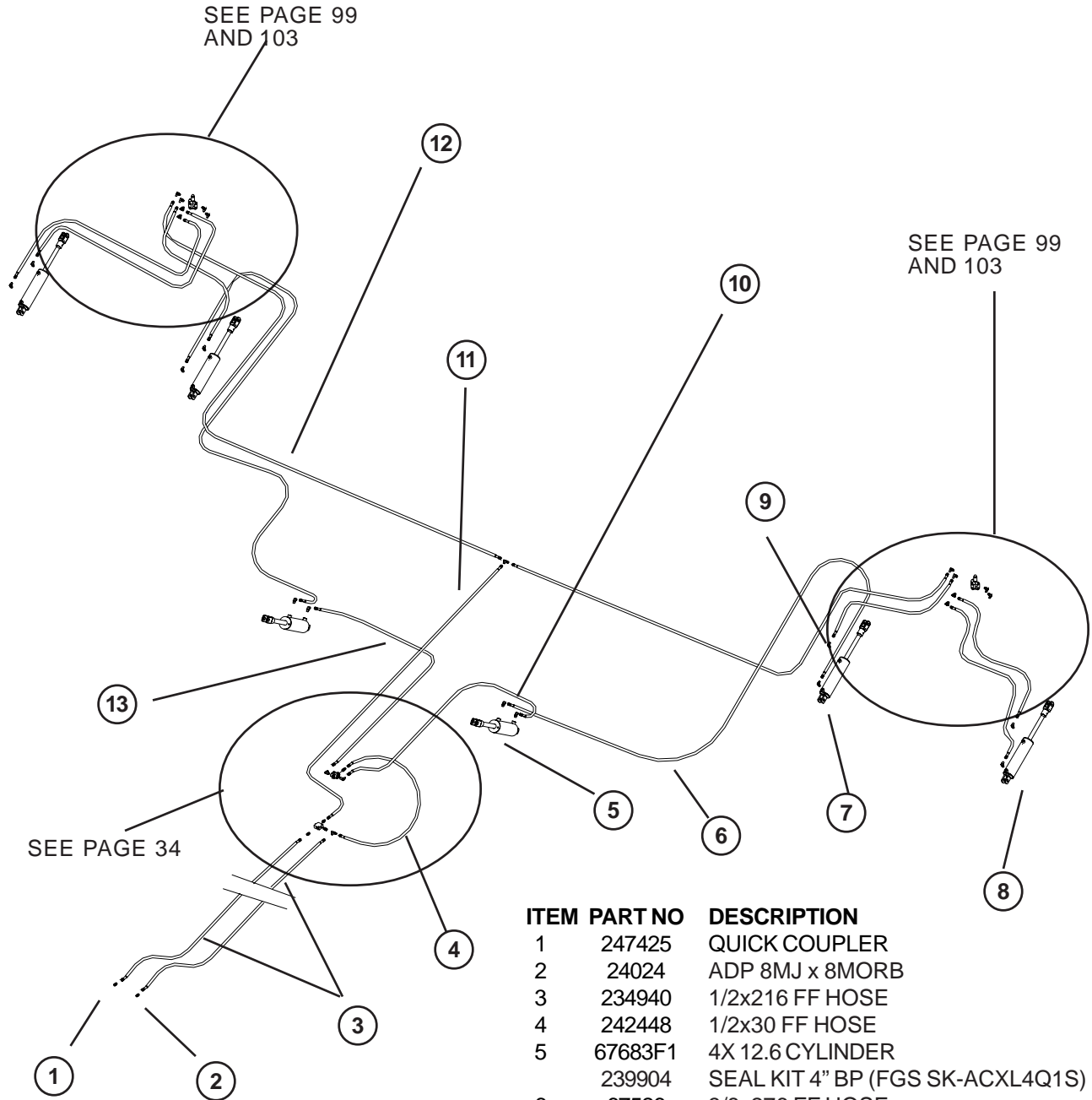
SERIAL # 459350 - UP



ITEM	PART NO	DESCRIPTION
1	56539	3/8x50 FF HOSE
2	25580	ELB 8MORB x 8MJ
3	235388	3/8x102 FF HOSE
4	56540	3/8x89 FF HOSE
5	233688	3/8x252 FF HOSE

QX² 50

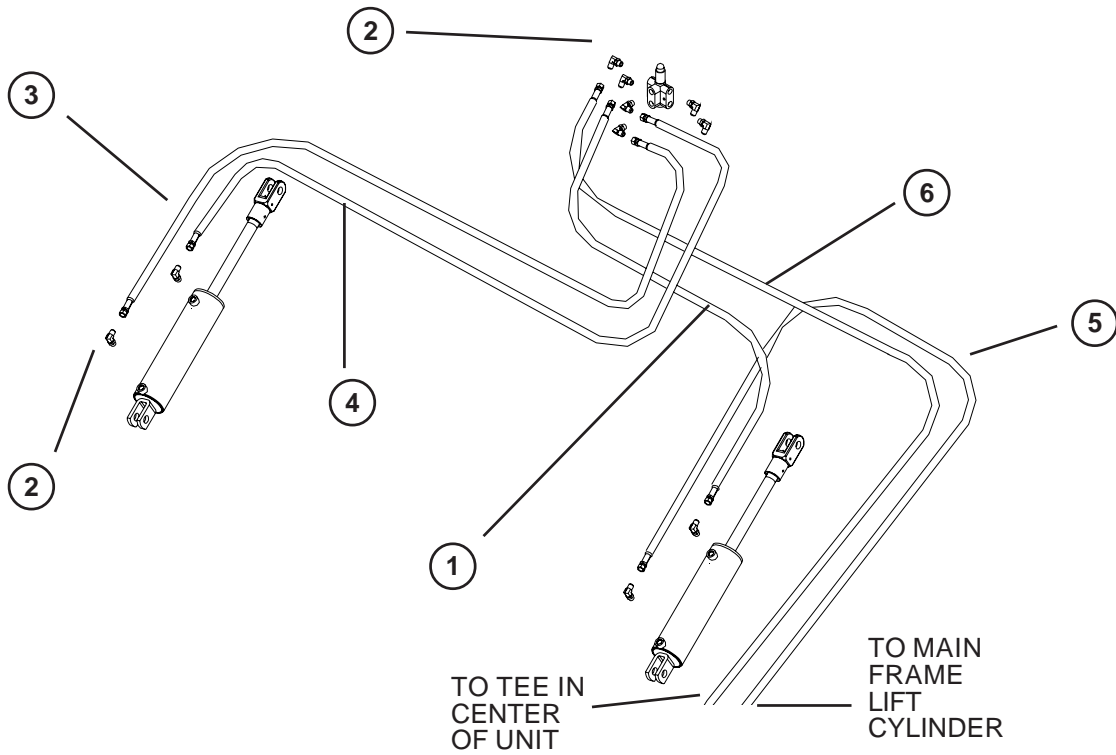
DEPTH CONTROL HYDRAULICS SERIAL # 459350 - UP



ITEM	PART NO	DESCRIPTION
1	247425	QUICK COUPLER
2	24024	ADP 8MJ x 8MORB
3	234940	1/2x216 FF HOSE
4	242448	1/2x30 FF HOSE
5	67683F1	4X 12.6 CYLINDER
	239904	SEAL KIT 4" BP (FGS SK-ACXL4Q1S)
6	67526	3/8x276 FF HOSE
7	67688F1	4X 10.8 CYLINDER
	239904	SEAL KIT 4" BP (FGS SK-ACXL4Q1S)
8	220761F1	4X 9.3 CYLINDER
	239904	SEAL KIT 4" BP (FGS SK-ACXL4Q1S)
9	25580	ELB 8MORB x 8MJ
10	13265	3/8x56 FF HOSE
11	233250	1/2x80 FF HOSE
12	247459	3/8x284 FF HOSE
13	13484	3/8x156 FF HOSE

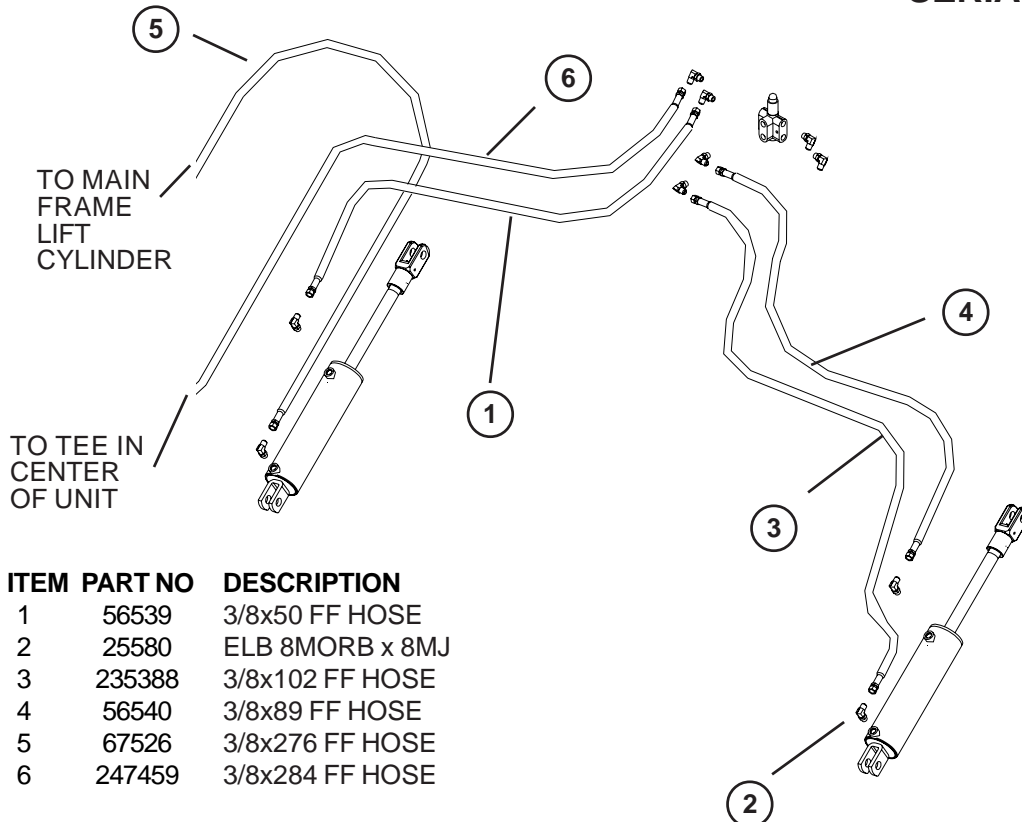
QX² 50 RIGHT OUTER WING MAIN LIFT

SERIAL # 459350 - UP



QX² 50 LEFT OUTER WING MAIN LIFT

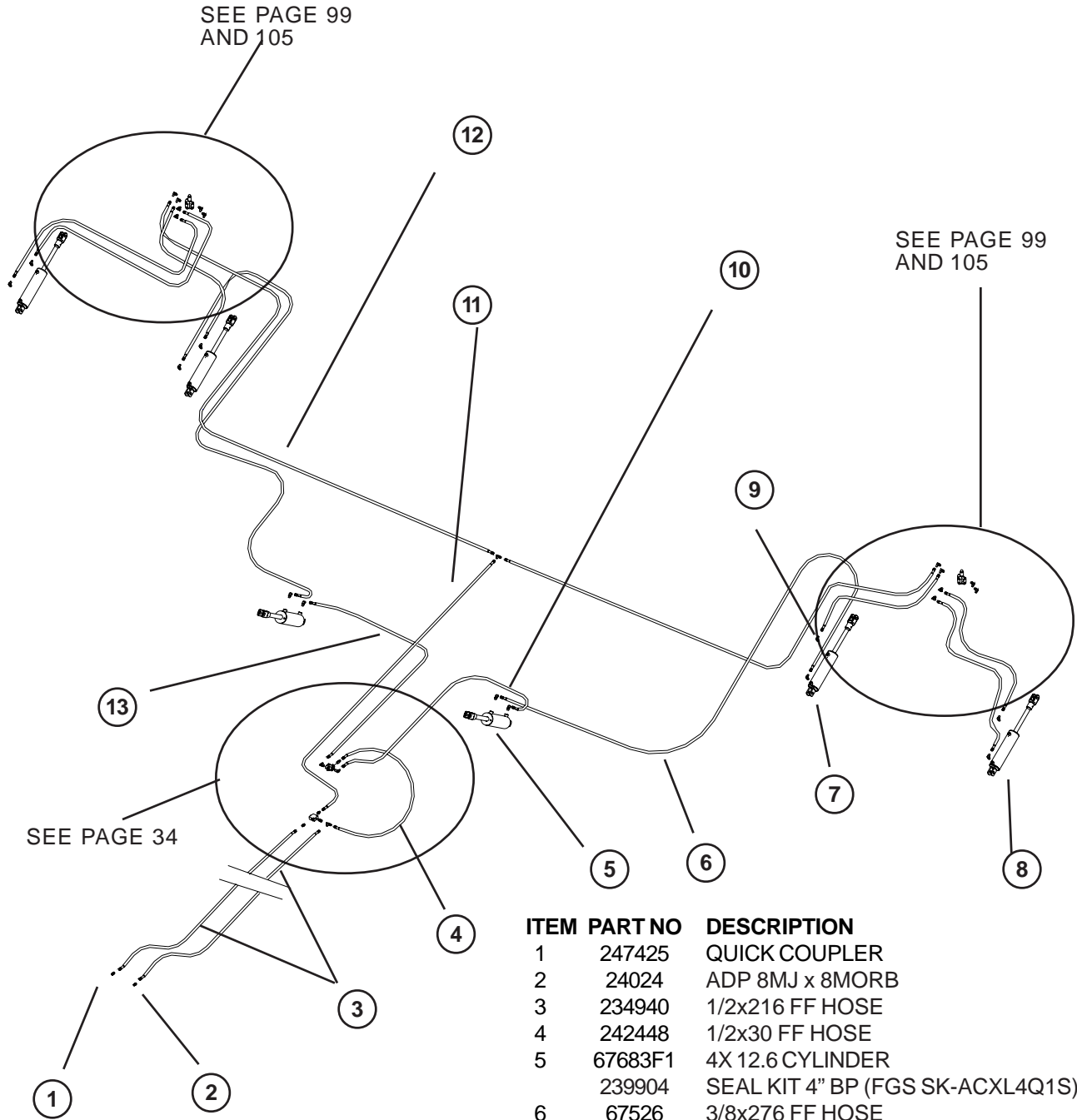
SERIAL # 459350 - UP



ITEM	PART NO	DESCRIPTION
1	56539	3/8x50 FF HOSE
2	25580	ELB 8MORB x 8MJ
3	235388	3/8x102 FF HOSE
4	56540	3/8x89 FF HOSE
5	67526	3/8x276 FF HOSE
6	247459	3/8x284 FF HOSE

QX² 55

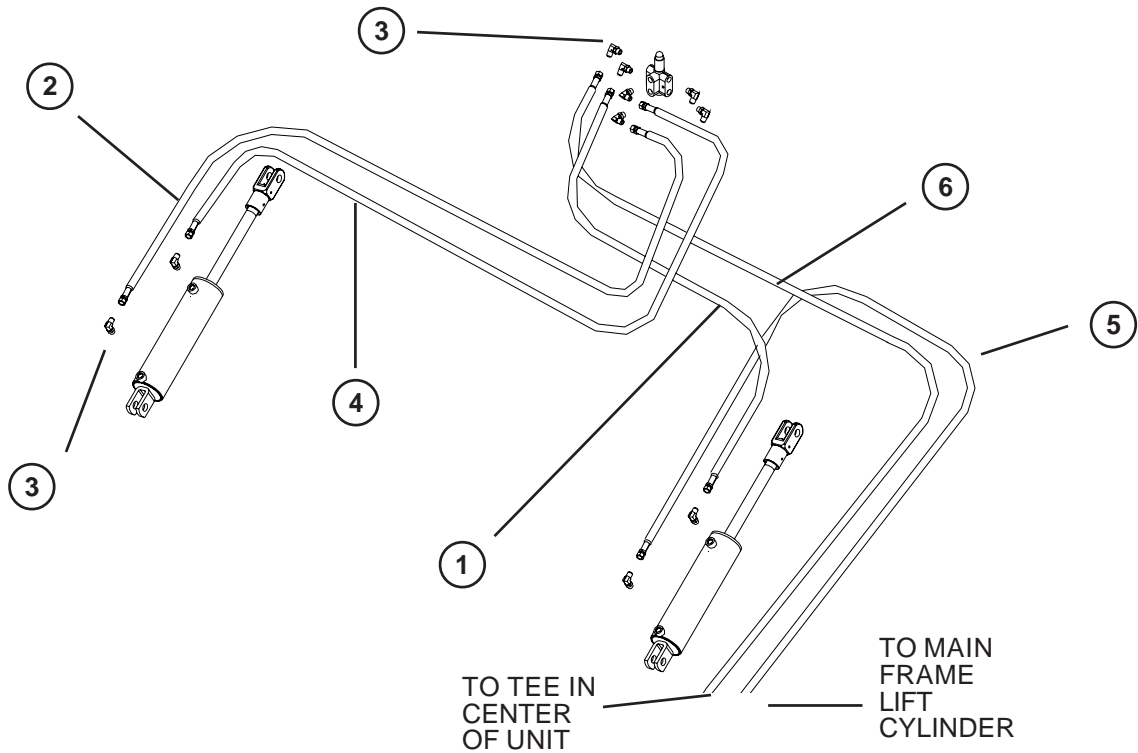
DEPTH CONTROL HYDRAULICS SERIAL # 459350 - UP



ITEM	PART NO	DESCRIPTION
1	247425	QUICK COUPLER
2	24024	ADP 8MJ x 8MORB
3	234940	1/2x216 FF HOSE
4	242448	1/2x30 FF HOSE
5	67683F1	4X 12.6 CYLINDER
	239904	SEAL KIT 4" BP (FGS SK-ACXL4Q1S)
6	67526	3/8x276 FF HOSE
7	67688F1	4X 10.8 CYLINDER
	239904	SEAL KIT 4" BP (FGS SK-ACXL4Q1S)
8	220761F1	4X 9.3 CYLINDER
	239904	SEAL KIT 4" BP (FGS SK-ACXL4Q1S)
9	25580	ELB 8MORB x 8MJ
10	13265	3/8x56 FF HOSE
11	233250	1/2x80 FF HOSE
12	247459	3/8x284 FF HOSE
13	13484	3/8x156 FF HOSE

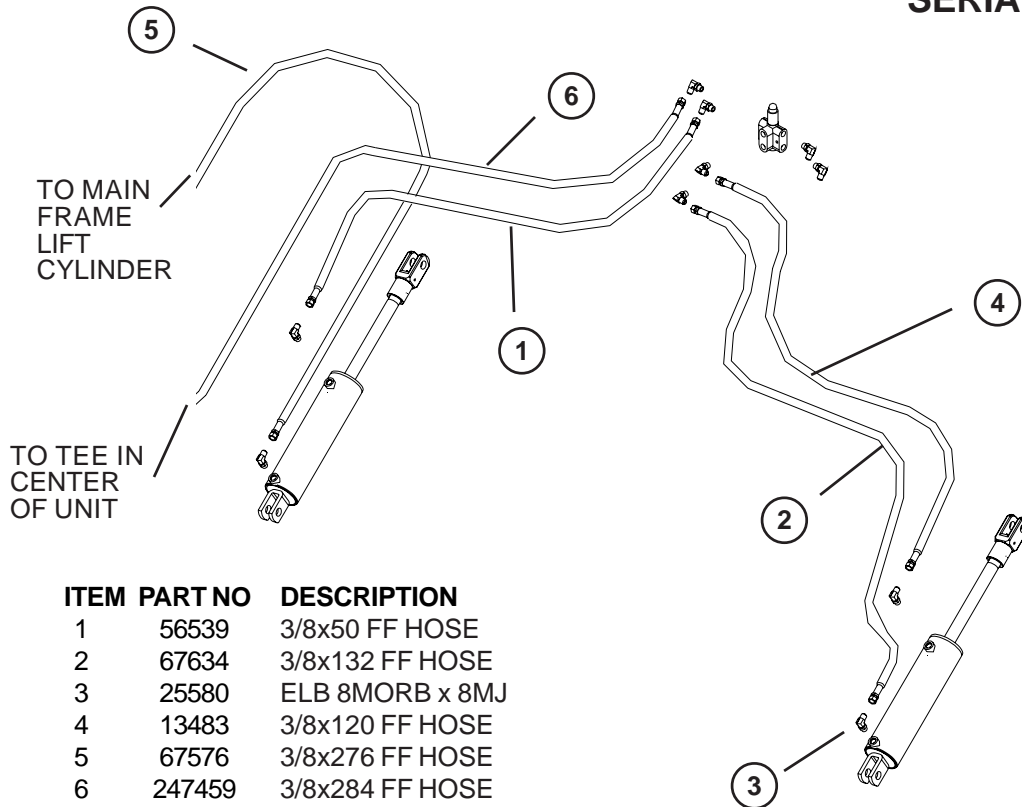
QX² 55 RIGHT OUTER WING MAIN LIFT

SERIAL # 459350 - UP



QX² 55 LEFT OUTER WING MAIN LIFT

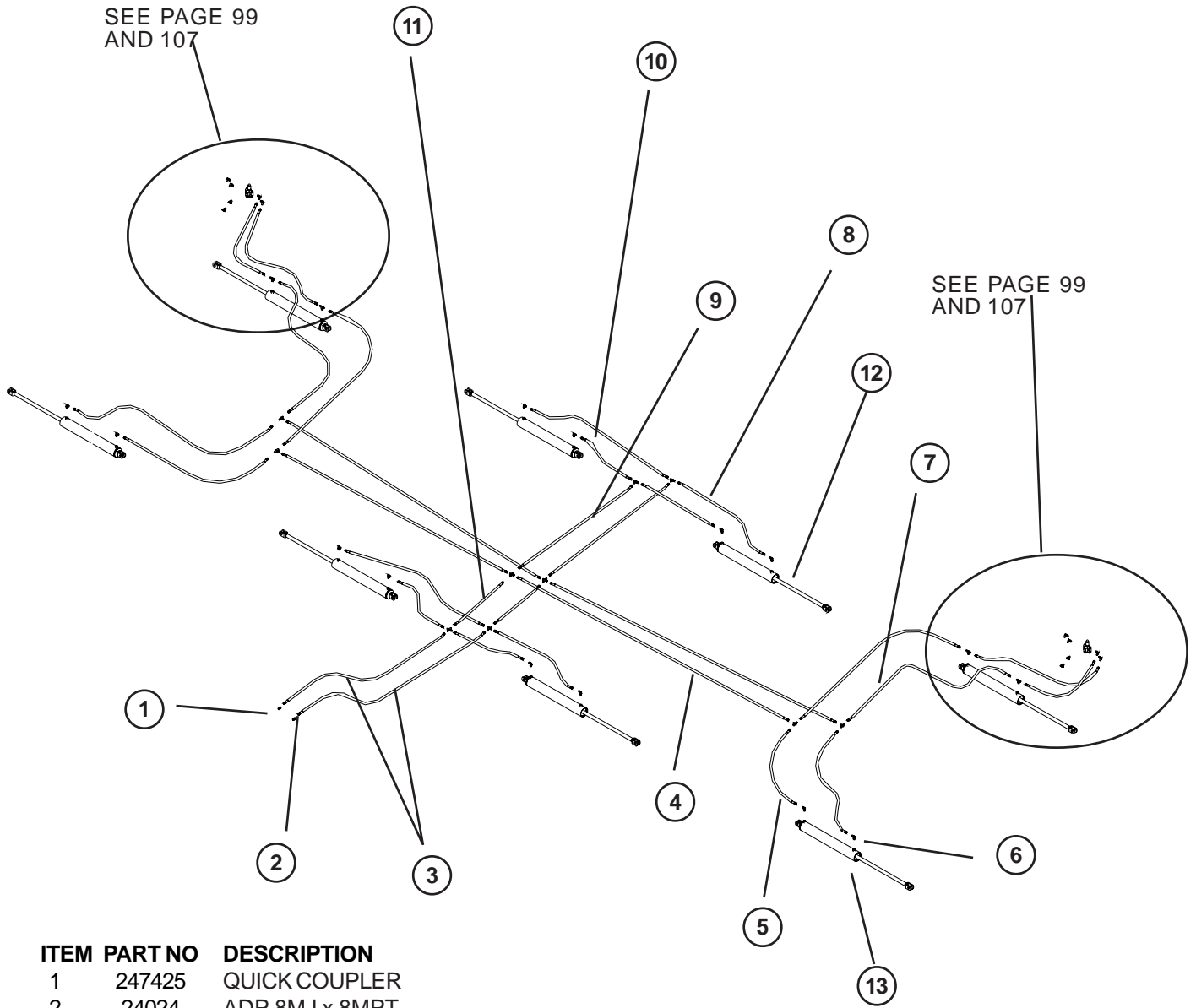
SERIAL # 459350 - UP



ITEM	PART NO	DESCRIPTION
1	56539	3/8x50 FF HOSE
2	67634	3/8x132 FF HOSE
3	25580	ELB 8MORB x 8MJ
4	13483	3/8x120 FF HOSE
5	67576	3/8x276 FF HOSE
6	247459	3/8x284 FF HOSE

QX² 46

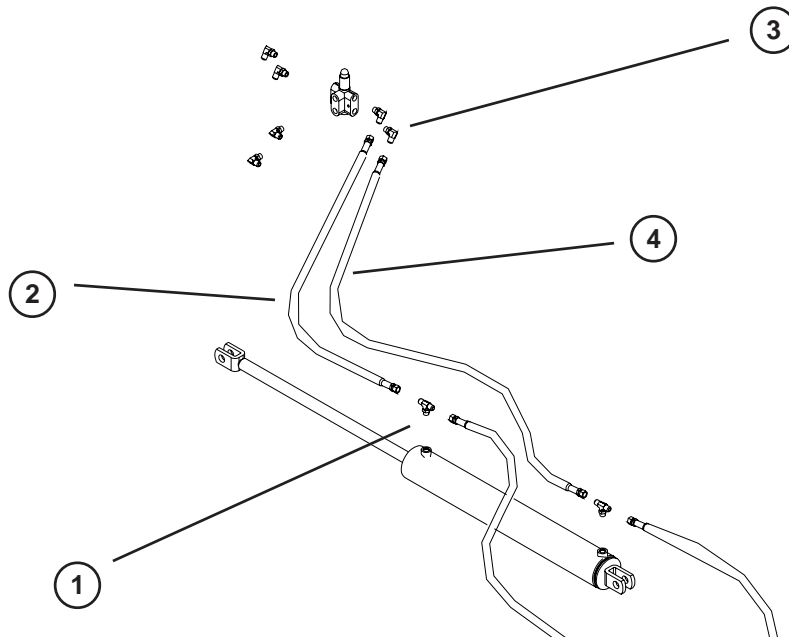
FOLD HYDRAULICS SERIAL # 459350 - UP



ITEM	PART NO	DESCRIPTION
1	247425	QUICK COUPLER
2	24024	ADP 8MJ x 8MPT
3	241494	1/2x276 FF HOSE
4	13484	3/8 x 156 FF HOSE
5	13268	3/8x78 FF HOSE
6	25580	ELB 8MORB x 8MJ
7	56540	3/8x89 FF HOSE
8	67636	3/8x72 FF HOSE
9	25602	3/8x65 (2) FF HOSE
10	247459	3/8x.36 (4) FF HOSE
11	242448	1/2x30 (2) FF HOSE
12	20966F	HYD CYL 5X30 FGS #A519CY07
	233731	SEAL KIT 5IN (FGS-SK-ACBX5Q2Q)
13	51229F	4 X 30 CYLINDER
	233730	SEAL KIT 4IN (FGS-SK-ACBS4Q1S)

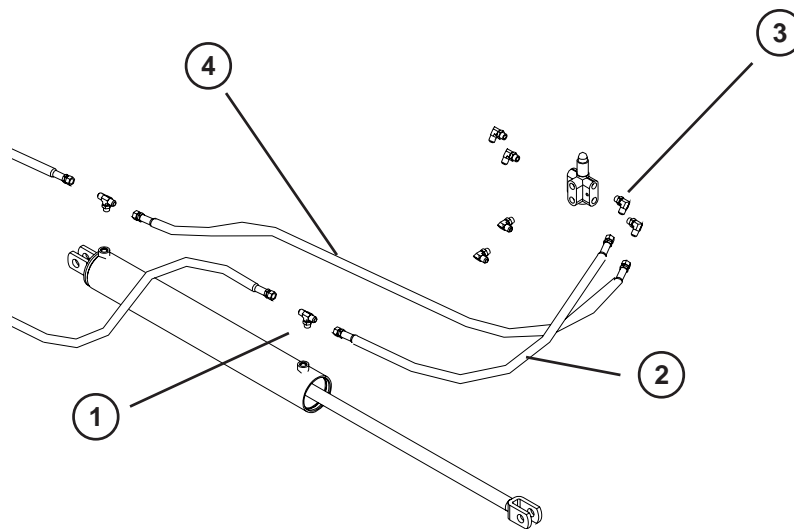
QX² 46 RIGHT OUTER VALVE PLUMBING

SERIAL # 459350 - UP



QX² 46 LEFT OUTER VALVE PLUMBING

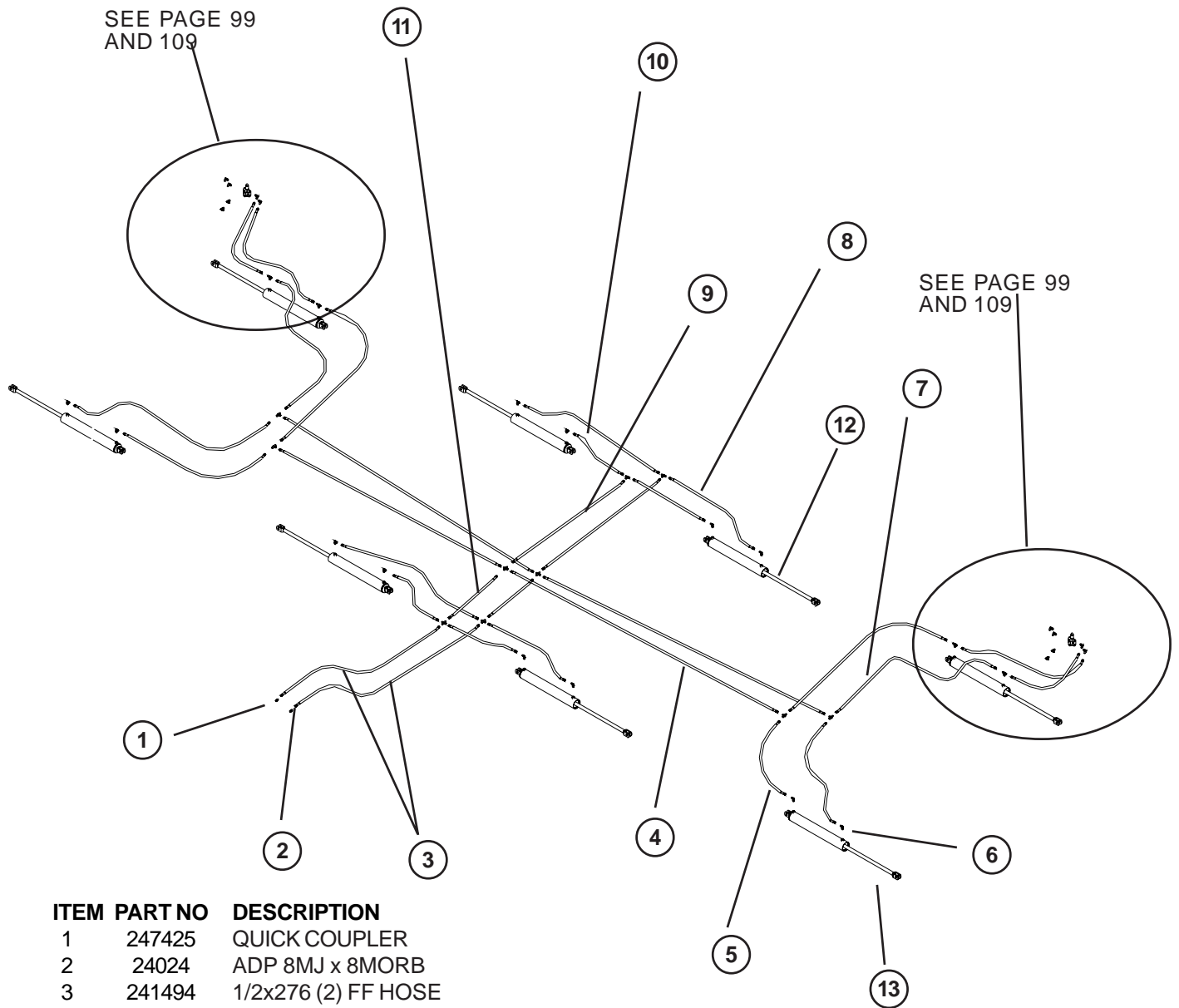
SERIAL # 459350 - UP



ITEM	PART NO	DESCRIPTION
1	56534	TEE 8MJ x 8MJ x 8MORB
2	14644	3/8x36 FF HOSE
3	25580	ELB 8MORB x 8MJ
4	56539	3/8x50 FF HOSE

QX² 50 & 55

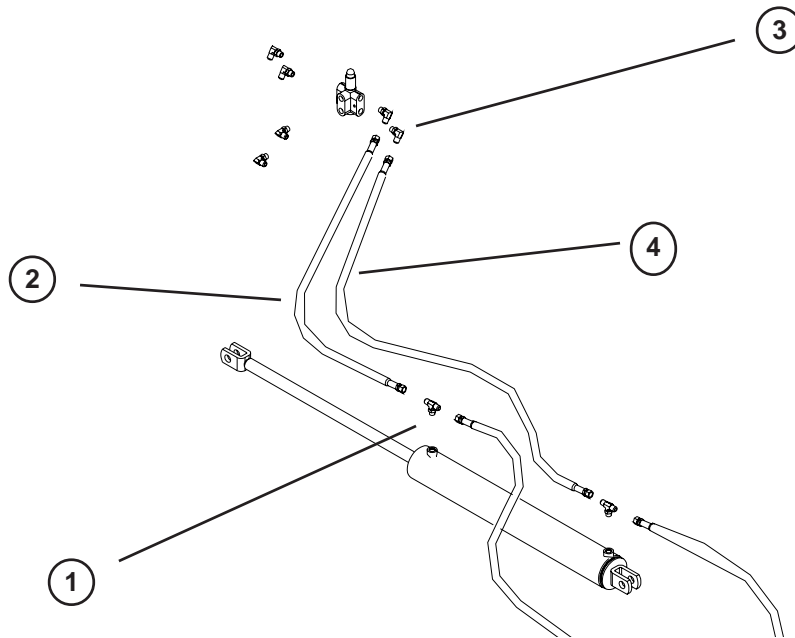
FOLD HYDRAULICS SERIAL # 459350 - UP



ITEM	PART NO	DESCRIPTION
1	247425	QUICK COUPLER
2	24024	ADP 8MJ x 8MORB
3	241494	1/2x276 (2) FF HOSE
4	233689	3/8 x 180 (4) FF HOSE
5	13268	3/8x78 (4) FF HOSE
6	25580	ELB 8MORB x 8MJ
7	56540	3/8x89 (4) FF HOSE
8	67636	3/8x72 (4) FF HOSE
9	25602	3/8x65 (2) FF HOSE
10	247459	3/8x.36 (4) FF HOSE
11	242448	1/2x30 (2) FF HOSE
12	20966F	HYD CYL 5X30 FGS #A519CY07
	233731	SEAL KIT 5IN (FGS-SK-ACBX5Q2Q)
13	51229F	4 X 30 CYLINDER
	233730	SEAL KIT 4IN (FGS-SK-ACBS4Q1S)

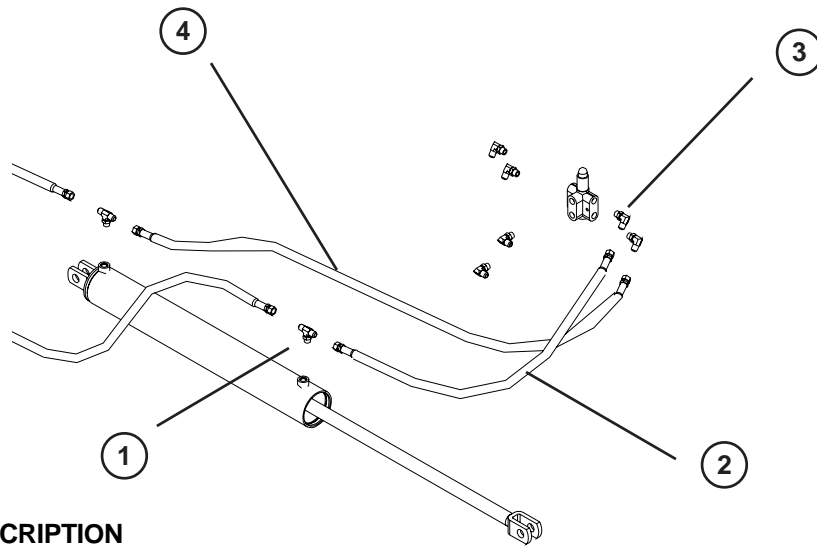
QX² 50 & 55 RIGHT OUTER VALVE PLUMBING

SERIAL # 459350 - UP



QX² 50 & 55 LEFT OUTER VALVE PLUMBING

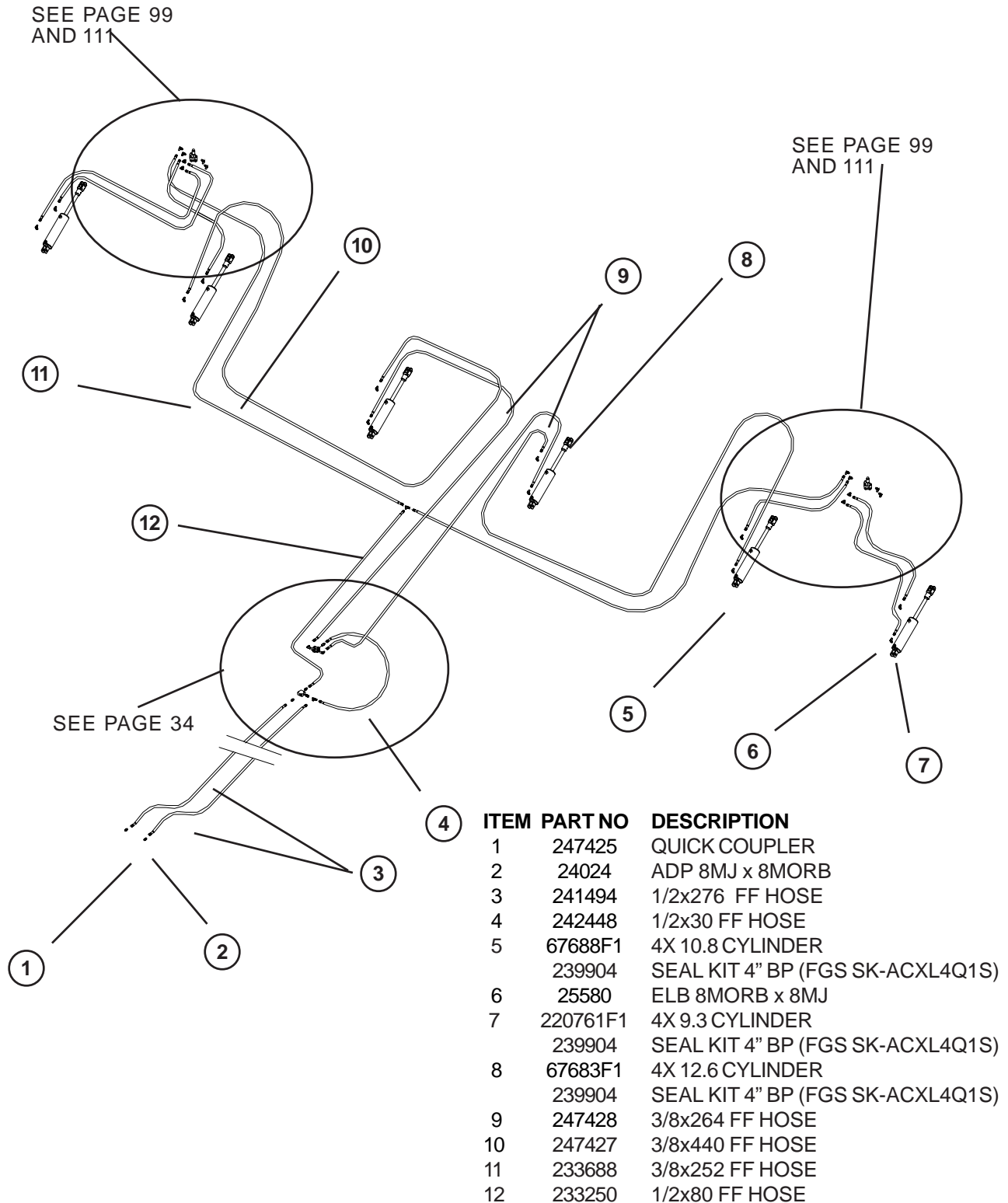
SERIAL # 459350 - UP



ITEM	PART NO	DESCRIPTION
1	56534	TEE 8MJ x 8MJ x 8MORB
2	14644	3/8x36 FF HOSE
3	25580	ELB 8MORB x 8MJ
4	56539	3/8x50 FF HOSE

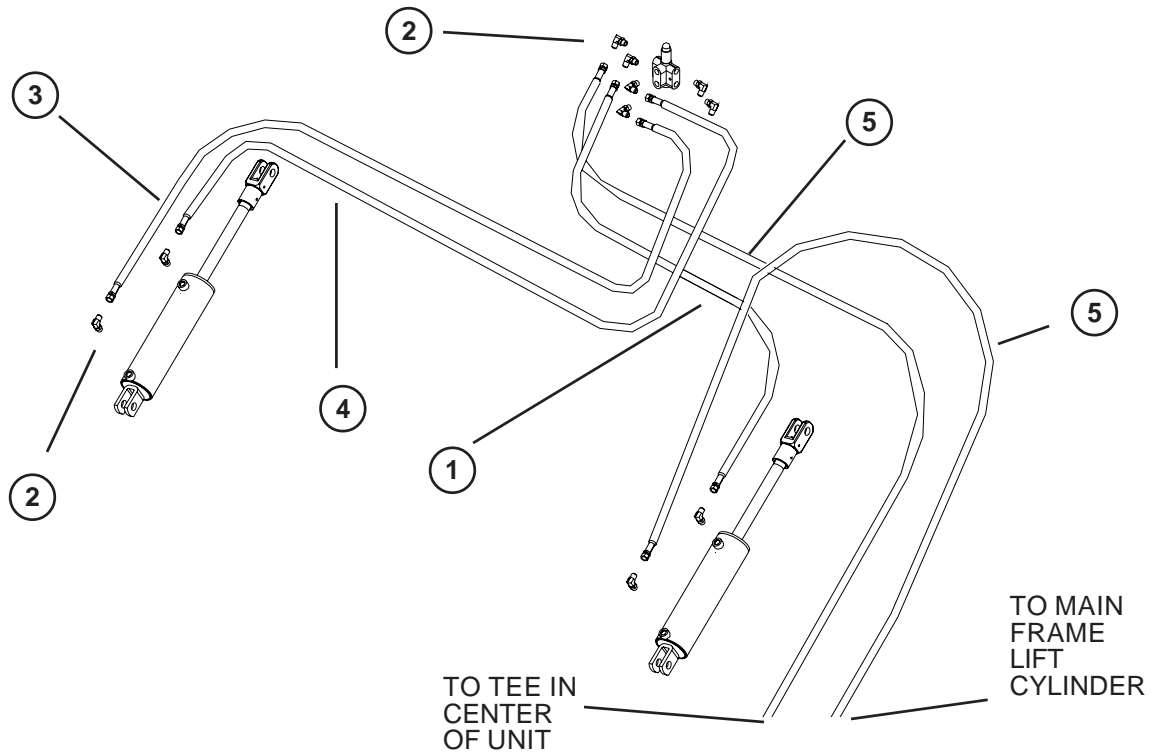
XL² 46

DEPTH CONTROL HYDRAULICS SERIAL # 459350 - UP



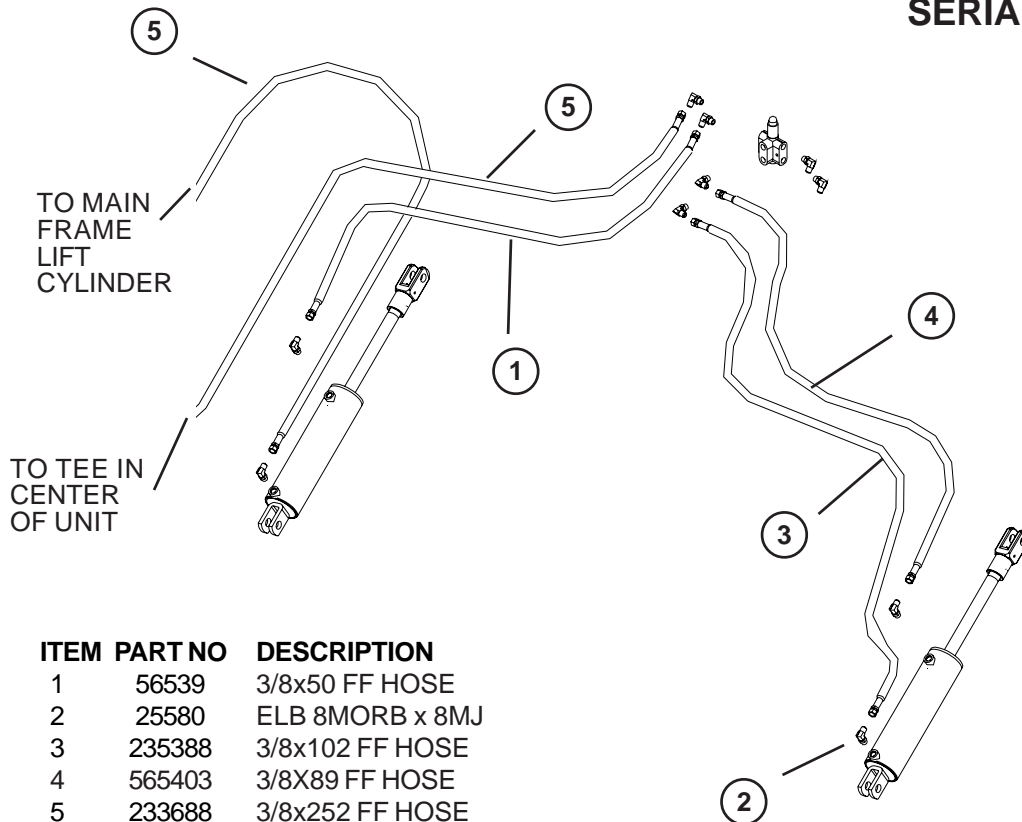
XL² 46 RIGHT OUTER WING MAIN LIFT

SERIAL # 459350 - UP



XL² 46 LEFT OUTER WING MAIN LIFT

SERIAL # 459350 - UP

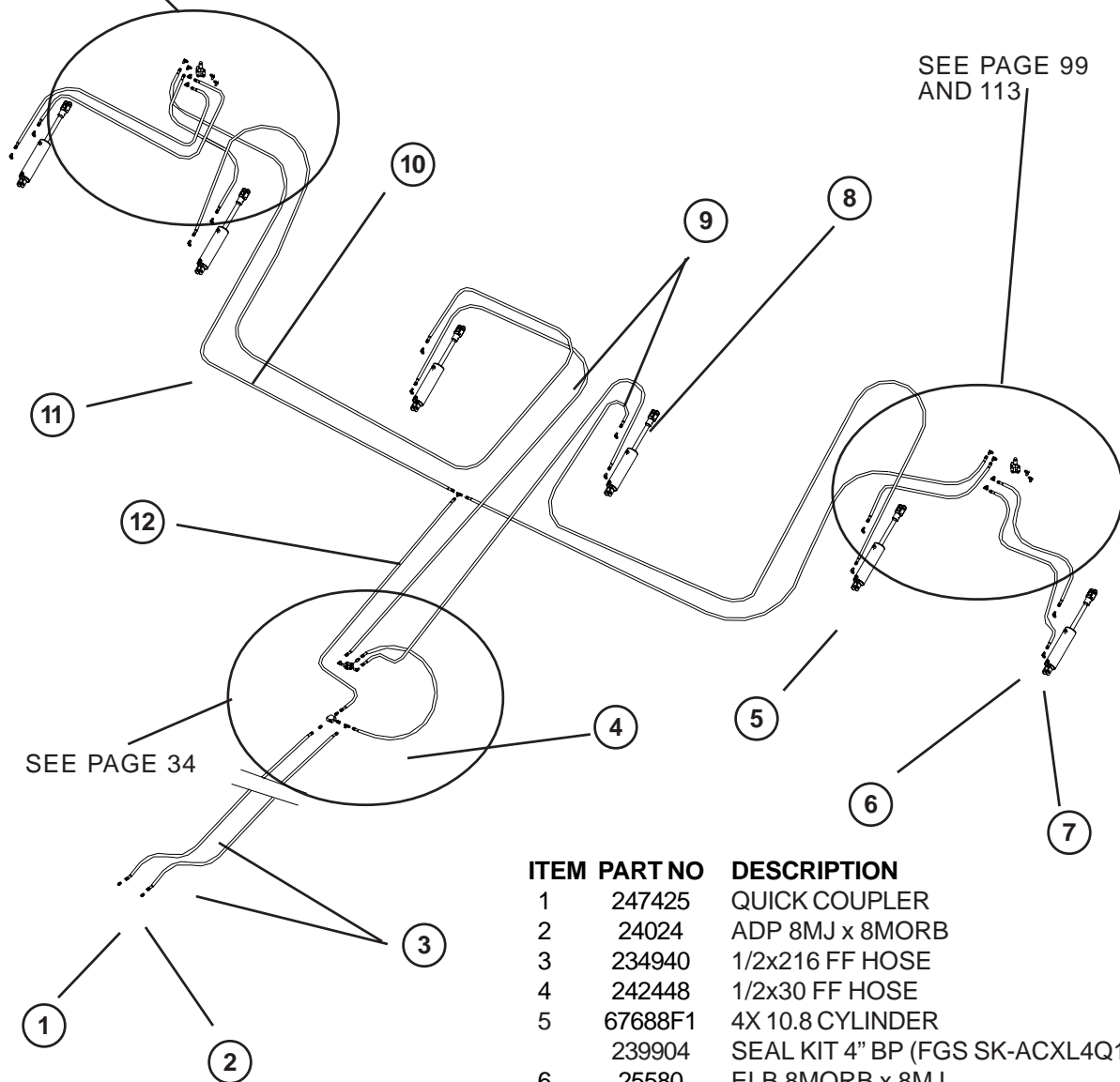


ITEM	PART NO	DESCRIPTION
1	56539	3/8x50 FF HOSE
2	25580	ELB 8MORB x 8MJ
3	235388	3/8x102 FF HOSE
4	565403	3/8X89 FF HOSE
5	233688	3/8x252 FF HOSE

XL² 50

DEPTH CONTROL HYDRAULICS SERIAL # 459350 - UP

SEE PAGE 99
AND 113



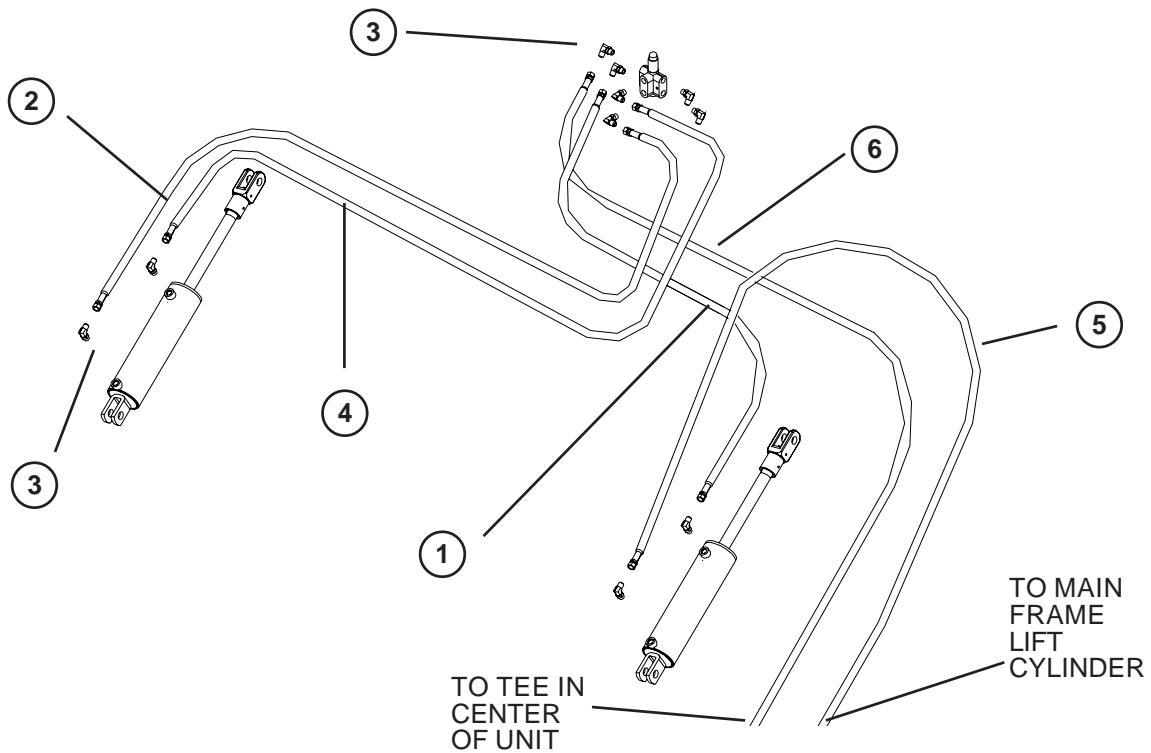
SEE PAGE 99
AND 113

SEE PAGE 34

ITEM	PART NO	DESCRIPTION
1	247425	QUICK COUPLER
2	24024	ADP 8MJ x 8MORB
3	234940	1/2x216 FF HOSE
4	242448	1/2x30 FF HOSE
5	67688F1	4X 10.8 CYLINDER
	239904	SEAL KIT 4" BP (FGS SK-ACXL4Q1S)
6	25580	ELB 8MORB x 8MJ
7	220761F1	4X 9.3 CYLINDER
	239904	SEAL KIT 4" BP (FGS SK-ACXL4Q1S)
8	67683F1	4X 12.6 CYLINDER
	239904	SEAL KIT 4" BP (FGS SK-ACXL4Q1S)
9	247428	3/8x264 FF HOSE
10	237918	3/8x460 FF HOSE
11	247459	3/8x284 FF HOSE
12	233250	1/2x80 FF HOSE

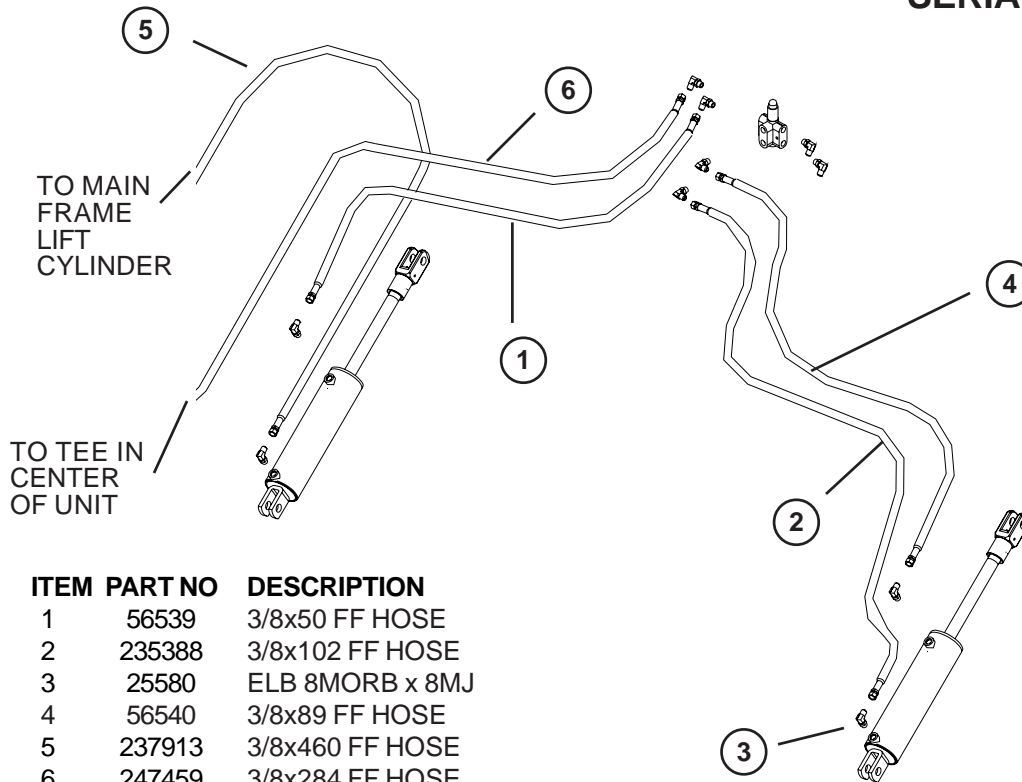
XL² 50 RIGHT OUTER WING MAIN LIFT

SERIAL # 459350 - UP



XL² 50 LEFT OUTER WING MAIN LIFT

SERIAL # 459350 - UP

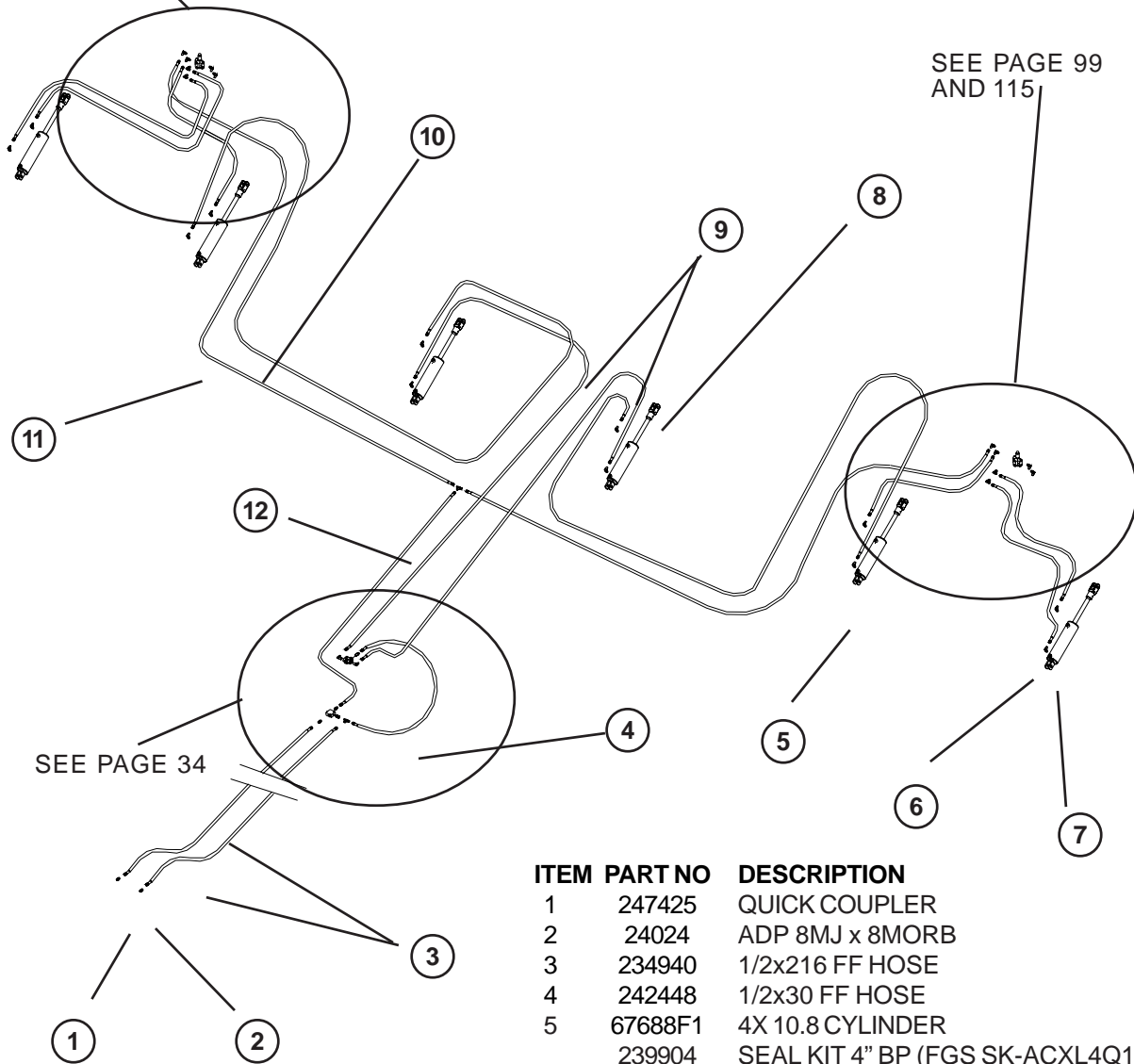


ITEM	PART NO	DESCRIPTION
1	56539	3/8x50 FF HOSE
2	235388	3/8x102 FF HOSE
3	25580	ELB 8MORB x 8MJ
4	56540	3/8x89 FF HOSE
5	237913	3/8x460 FF HOSE
6	247459	3/8x284 FF HOSE

XL² 55

DEPTH CONTROL HYDRAULICS SERIAL # 459350 - UP

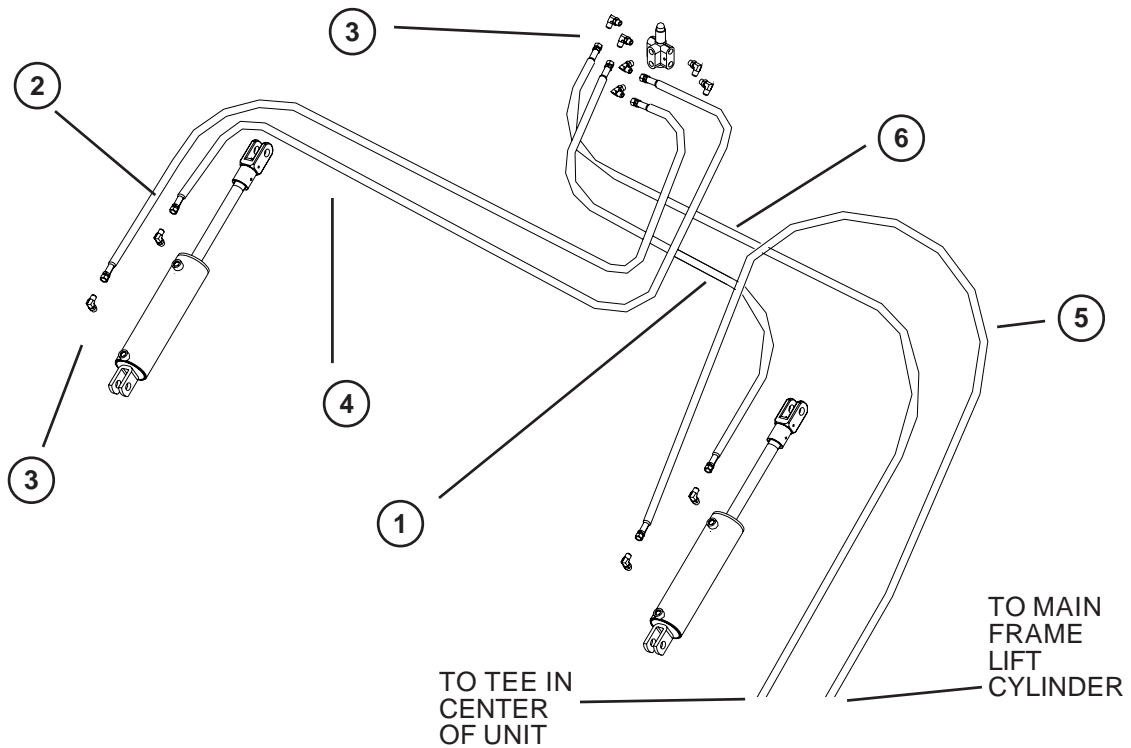
SEE PAGE
99 AND 115



ITEM	PART NO	DESCRIPTION
1	247425	QUICK COUPLER
2	24024	ADP 8MJ x 8MORB
3	234940	1/2x216 FF HOSE
4	242448	1/2x30 FF HOSE
5	67688F1	4X 10.8 CYLINDER
	239904	SEAL KIT 4" BP (FGS SK-ACXL4Q1S)
6	25580	ELB 8MORB x 8MJ
7	220761F1	4X 9.3 CYLINDER
	239904	SEAL KIT 4" BP (FGS SK-ACXL4Q1S)
8	67683F1	4X 12.6 CYLINDER
	239904	SEAL KIT 4" BP (FGS SK-ACXL4Q1S)
9	247428	3/8x264 FF HOSE
10	237918	3/8x460 FF HOSE
11	247459	3/8x284 FF HOSE
12	233250	1/2x80 FF HOSE

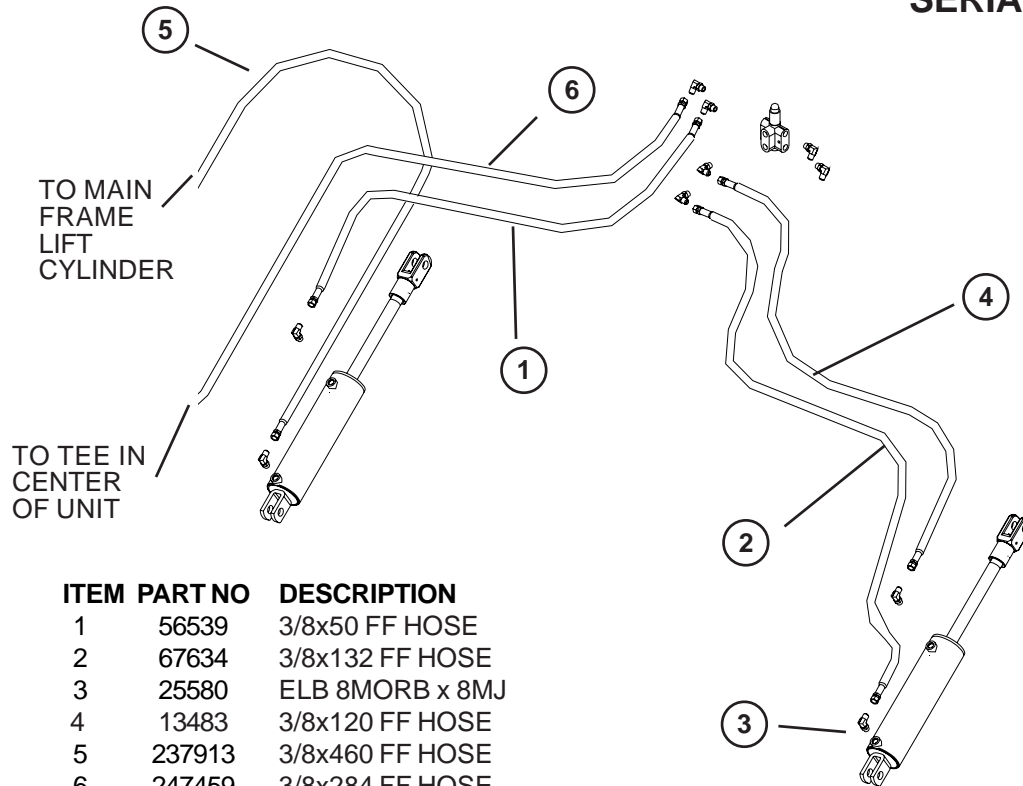
XL² 55 RIGHT OUTER WING MAIN LIFT

SERIAL # 459350 - UP



XL² 55 LEFT OUTER WING MAIN LIFT

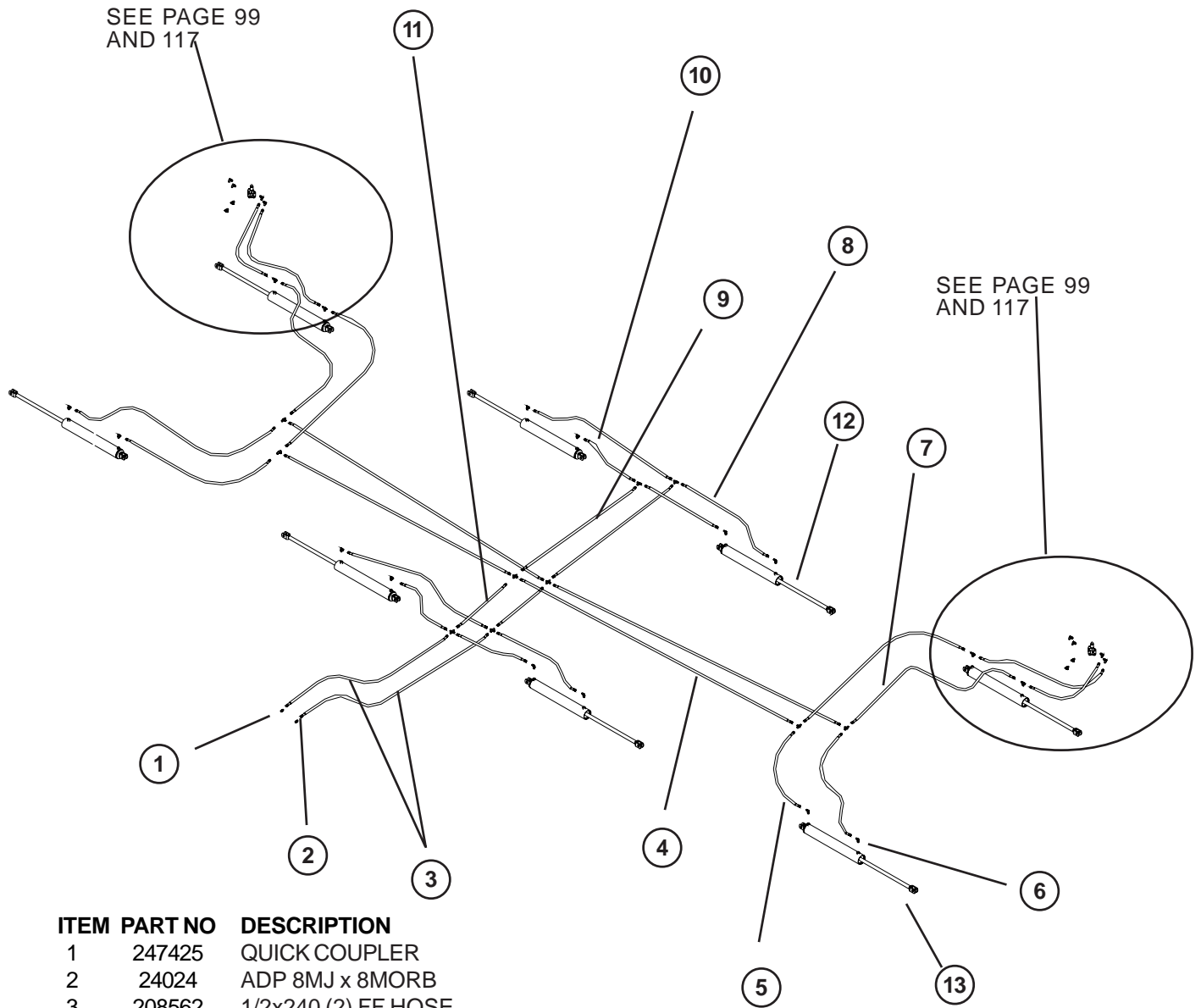
SERIAL # 459350 - UP



ITEM	PART NO	DESCRIPTION
1	56539	3/8x50 FF HOSE
2	67634	3/8x132 FF HOSE
3	25580	ELB 8MORB x 8MJ
4	13483	3/8x120 FF HOSE
5	237913	3/8x460 FF HOSE
6	247459	3/8x284 FF HOSE

XL² 46

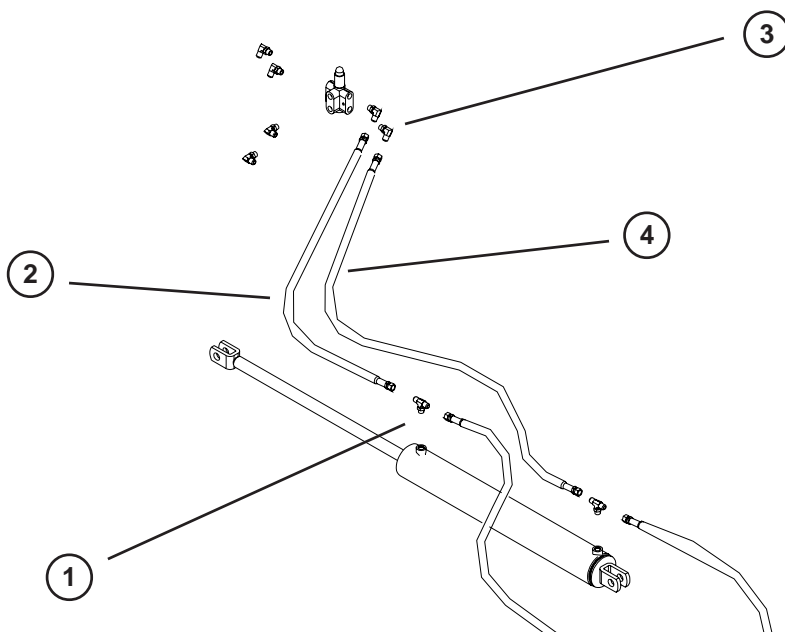
FOLD HYDRAULICS SERIAL # 459350 - UP



ITEM	PART NO	DESCRIPTION
1	247425	QUICK COUPLER
2	24024	ADP 8MJ x 8MORB
3	208562	1/2x240 (2) FF HOSE
4	13484	3/8x156 (4) FF HOSE
5	13268	3/8x78 (4) FF HOSE
6	25580	ELB 8MORB x 8MJ
7	56540	3/8x89 (4) FF HOSE
8	67636	3/8x72 (4) FF HOSE
9	25602	3/8x65 (2) FF HOSE
10	247459	3/8x.36 (4) FF HOSE
11	247430	1/2x65 (2) FF HOSE
12	20966F	HYD CYL 5X30 FGS #A519CY07
	233731	SEAL KIT 5IN (FGS-SK-ACBX5Q2Q)
13	51229F	4 X 30 CYLINDER
	233730	SEAL KIT 4IN (FGS-SK-ACBS4Q1S)

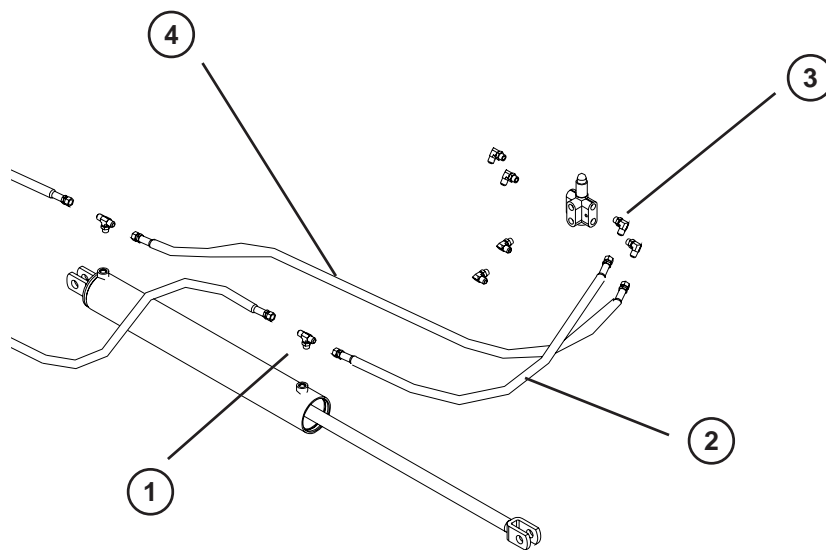
XL² 46 RIGHT OUTER VALVE PLUMBING

SERIAL # 459350 - UP



XL² 46 LEFT OUTER VALVE PLUMBING

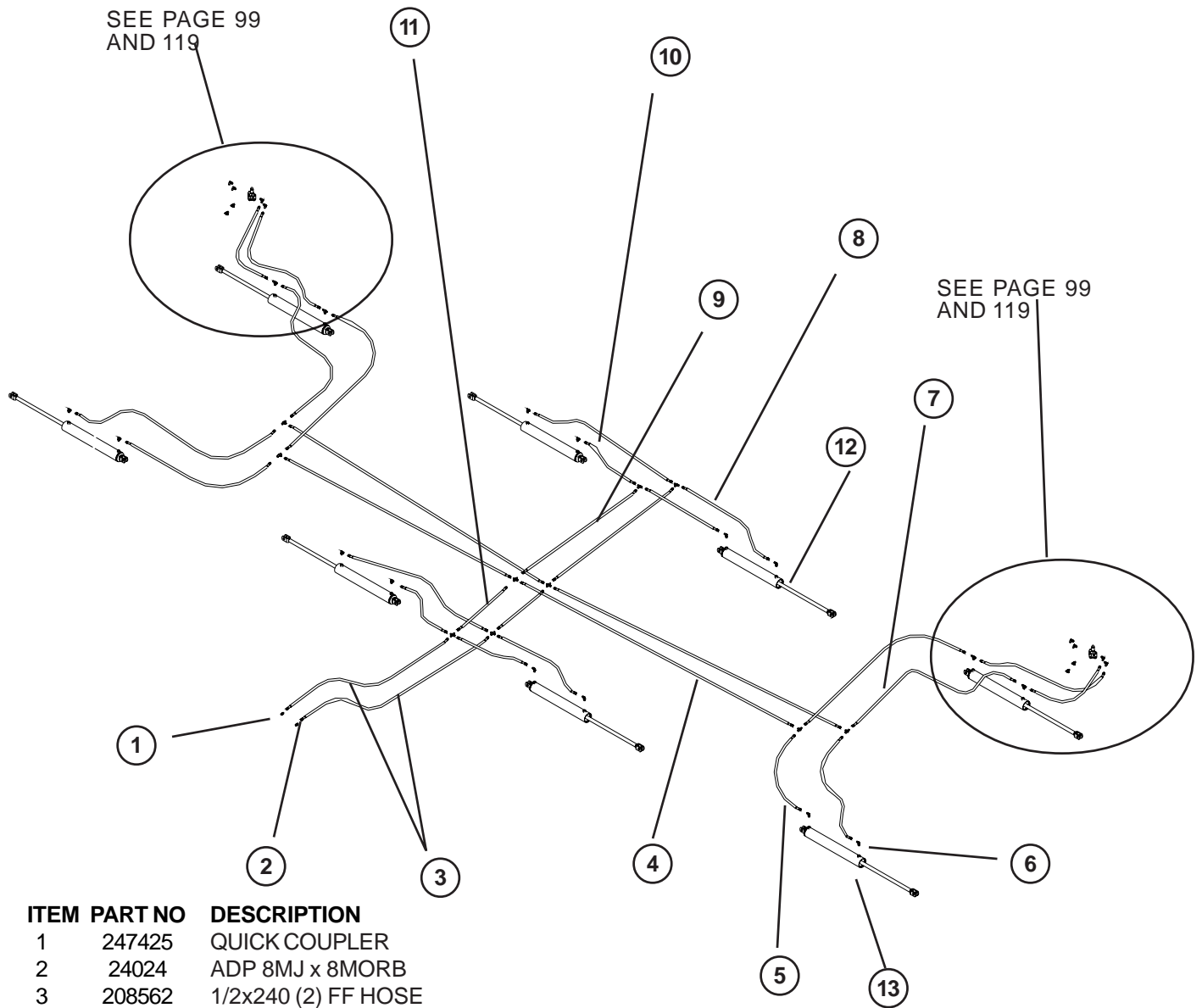
SERIAL # 459350 - UP



ITEM	PART NO	DESCRIPTION
1	56534	TEE 8MJ x 8MJ x 8MORB
2	14644	3/8x36 FF HOSE
3	25580	ELB 8MORB x 8MJ
4	56539	3/8x50 FF HOSE

XL² 50 & 55

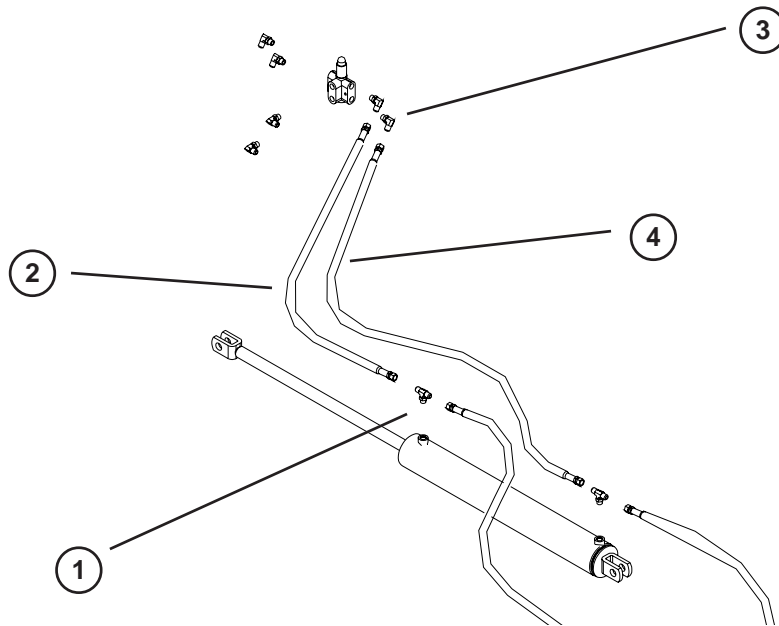
FOLD HYDRAULICS SERIAL # 459350 - UP



ITEM	PART NO	DESCRIPTION
1	247425	QUICK COUPLER
2	24024	ADP 8MJ x 8MORB
3	208562	1/2x240 (2) FF HOSE
4	233689	3/8x180 (4) FF HOSE
5	13268	3/8x78 (4) FF HOSE
6	25580	ELB 8MORB x 8MJ
7	56540	3/8x89 (4) FF HOSE
8	67636	3/8x72 (4) FF HOSE
9	25602	3/8x65 (2) FF HOSE
10	247459	3/8x.36 (4) FF HOSE
11	247430	1/2x65 (2) FF HOSE
12	20966F	HYD CYL 5X30 FGS #A519CY07
	233731	SEAL KIT 5IN (FGS-SK-ACBX5Q2Q)
13	51229F	4 X 30 CYLINDER
	233730	SEAL KIT 4IN (FGS-SK-ACBS4Q1S)

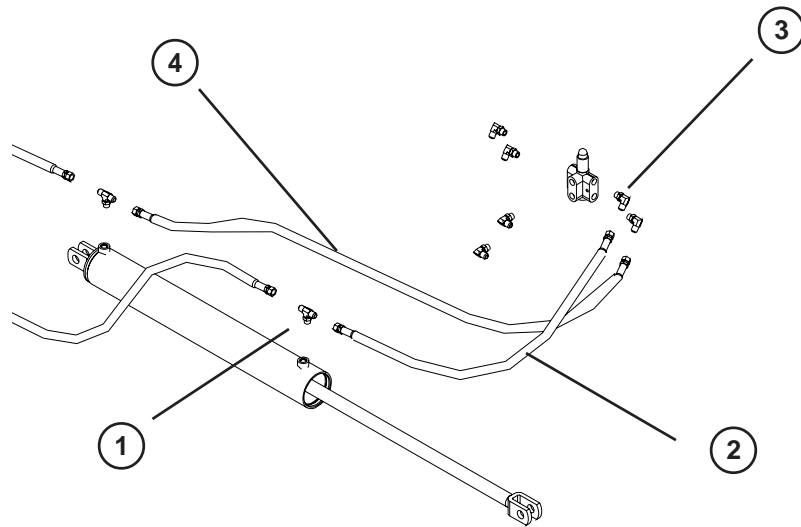
XL² 50 & 55 RIGHT OUTER VALVE PLUMBING

SERIAL # 459350 - UP



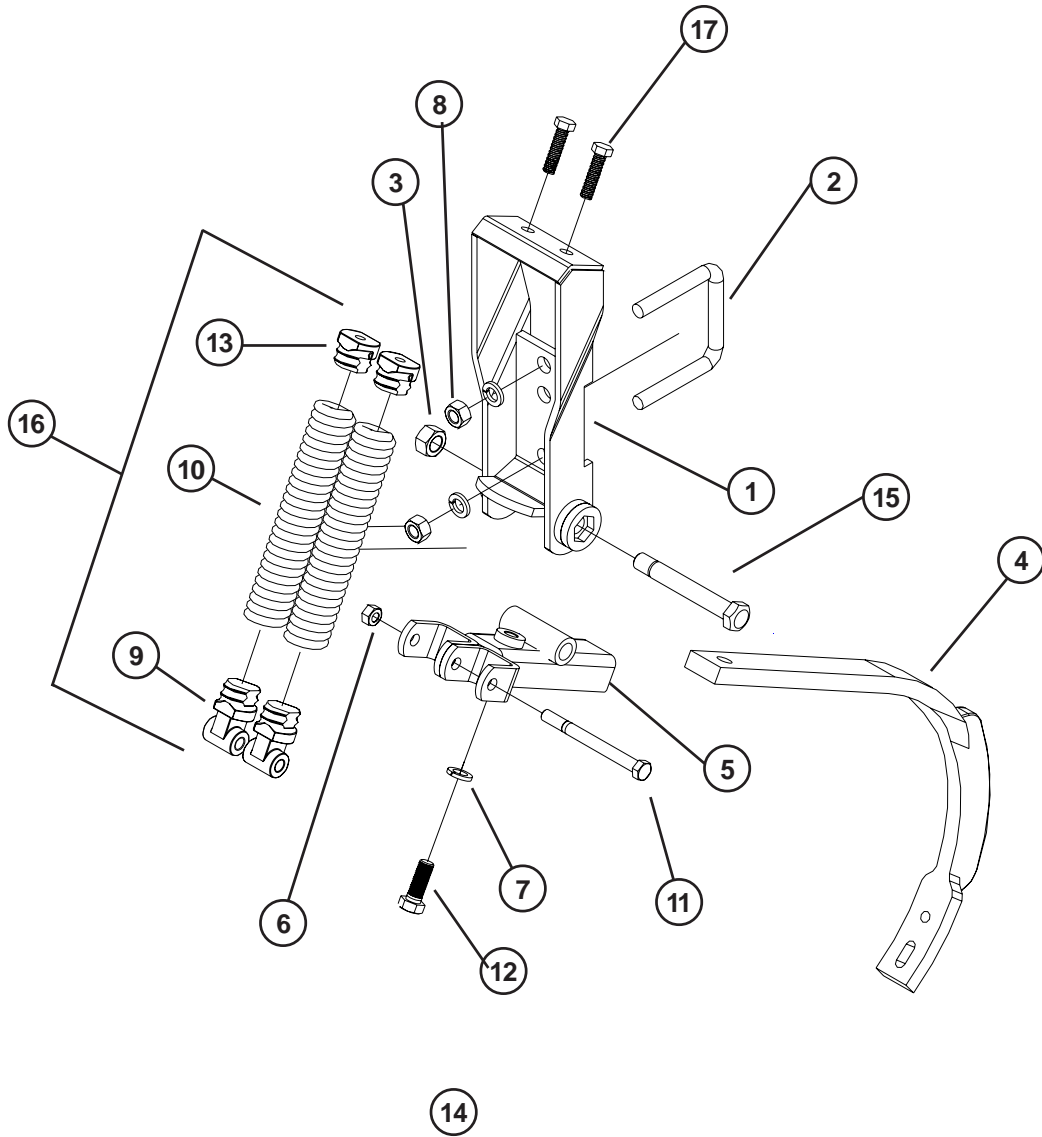
XL² 50 & 55 LEFT OUTER VALVE PLUMBING

SERIAL # 459350 - UP



ITEM	PART NO	DESCRIPTION
1	56534	TEE 8MJ x 8MJ x 8MORB
2	14644	3/8x36 FF HOSE
3	25580	ELB 8MORB x 8MJ
4	14644	3/8x36 FF HOSE

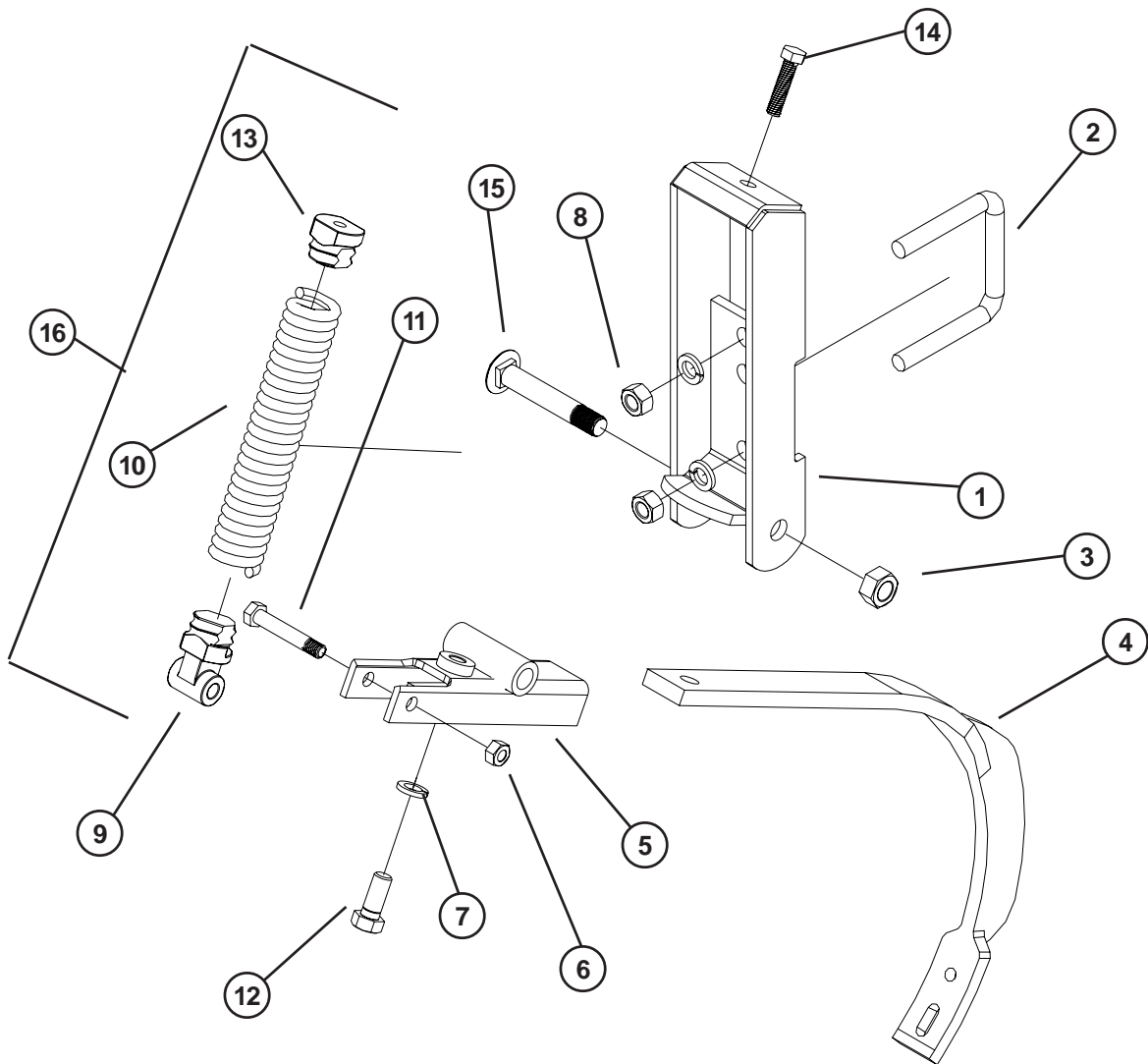
TWIN SPRING SHANK ASSEMBLY



ITEM	PART NO.	DESCRIPTION	ITEM	PART NO.	DESCRIPTION
	240590	TWIN SPRING SHANK ASSEMBLY (INCLUDES ITEMS 1, 3,5-6, 9-11,13-15)	8	88126	5/8"NC NUT
1	240582	SHANK FRAME BRACKET (4")	9	11397	SPRING HANDLE (PLAIN)
2	88501	5/8"NCX4"X4-1/4"U-BOLT	10	11510	SPRING
3	22463	3/4"NF LOCK NUT	11	88574	1/2"NCX5-1/2" GR5 BOLT
4	55655	HD EDGE FORM SHANK	12	88838	5/8"NCX1-3/4" GR5 BOLT
5	240581	TWIN SPRING HOLDER	13	11398	SPRING PLUG (PLAIN)
6	88363	1/2"NC LOCK NUT	14	23153	1/2"NCX2" GR5 BOLT
7	88129	5/8" LOCK WASHER	15	240592	SHANK HEX BOLT
			16	11540	SPRING PLUG ASSEMBLY
			17	23153	1/2 X 2 FULL THREAD CAP SCREW

DOUBLE SPRING SHANK.WMF

SINGLE SPRING SHANK ASSEMBLY



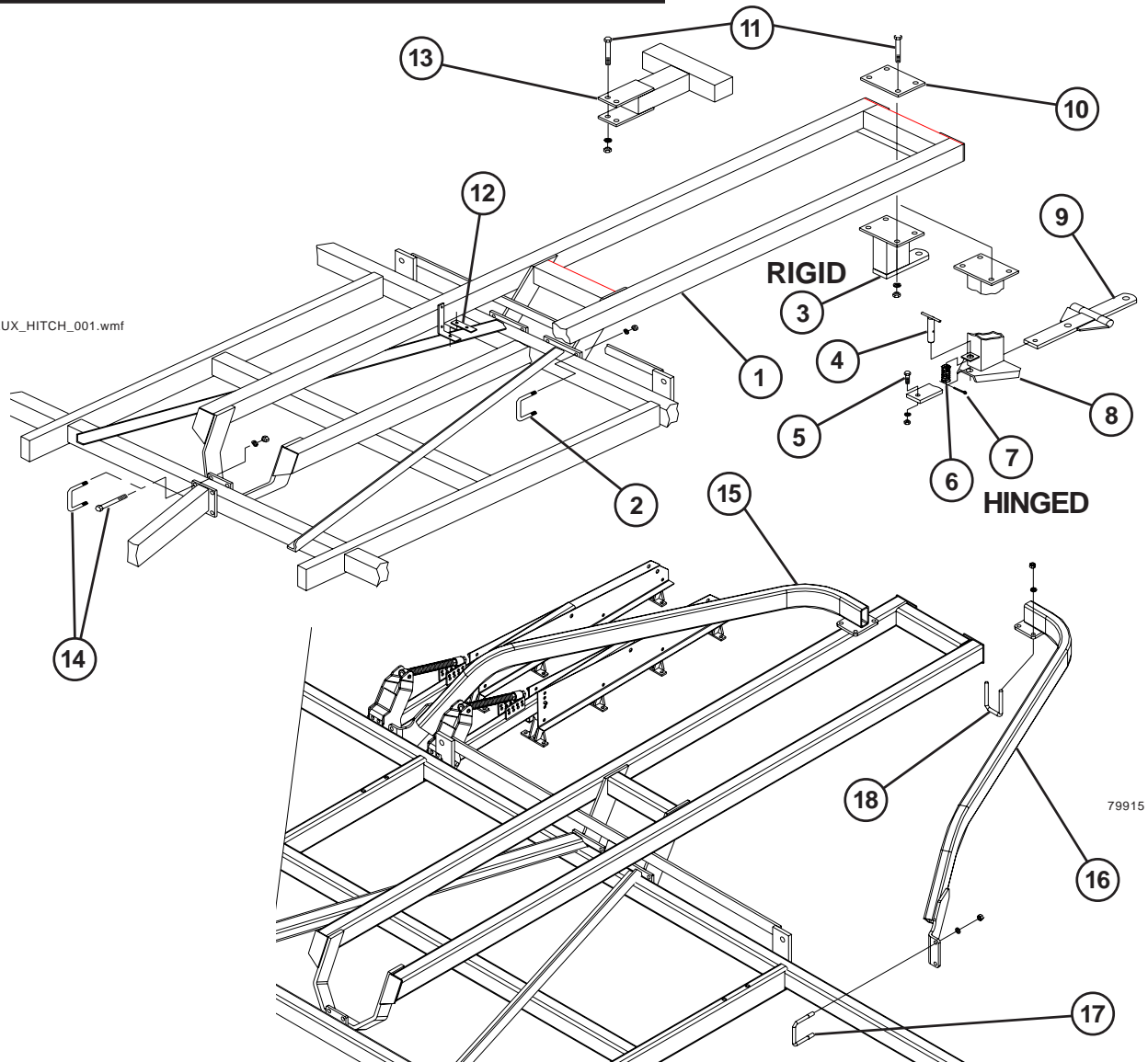
ITEM	PART NO.	DESCRIPTION
	240434	FC SHANK ASSEMBLY (4") (INCLUDES ITEMS 1, 3,5-6, 9-11, 13-15)
1	20569	SHANK FRAME BRACKET (4")
2	88501	5/8"NCX4"X4-1/4"U-BOLT
3	22463	3/4"NF LOCK NUT
4	53408	EDGE FORMED SHANK
5	242482	SHANK HOLDER
6	88363	1/2"NC LOCK NUT
7	88129	5/8" LOCK WASHER

ITEM	PART NO.	DESCRIPTION
8	88126	5/8"NC NUT
9	11397	SPRING HANDLE (PLAIN)
10	11510	SPRING
11	20637	1/2"NCX3" GR5 BOLT
12	88577	5/8"NCX1-1/2" GR5 BOLT
13	11398	SPRING PLUG (PLAIN)
14	23153	1/2"NCX2" GR5 BOLT
15	68575	CARRIAGE BOLT
16	11540	SPRING PLUG ASSEMBLY (INCLUDES 9-10 & 13))

SINGLE SPRING SHANK.WMF

HD REAR HITCH & BRACE ARMS

HD_AUX_HITCH_001.wmf



ITEM	PART NO.	DESCRIPTION
	69455	REAR HITCH W/HINGED TOUNGE (INCLUDES ITEMS 1,2,4-11)
	69456	REAR HITCH W/RIGID TOUNGE (INCLUDES ITEMS 1,2,3,10 & 11)
	233522	REAR HITCH BRACE ARMS (INCLUDES ITEMS 15,16,17 & 18)
1	69442	HD IMPLEMENT HITCH
2	88453	5/8"NCX4"X4-1/2"U-BOLT
3	69453	RIGID TOUNGE MOUNT
4	58284	PIN ASSEMBLY 1"X2-27/32"
5	88294	5/8"NCx2" GR5 BOLT
6	15940	SPRING
7	88101	1/4"X2-1/2" COTTER PIN
8	69454	HINGED HITCH MOUNT
9	18443	HINGED TOUNGE ASSEMBLY
10	69447	PLATE
11	88293	3/4"NCX6" GR5 BOLT
12	69459	CLAMP STRAP
13	222493	HD HITCH EXTENSION
14	88305	3/4"NCX5" GR5 BOLT(EXCEL)
	88453	5/8"NCX4"X4-1/2"U-BOLT(QUAD X)

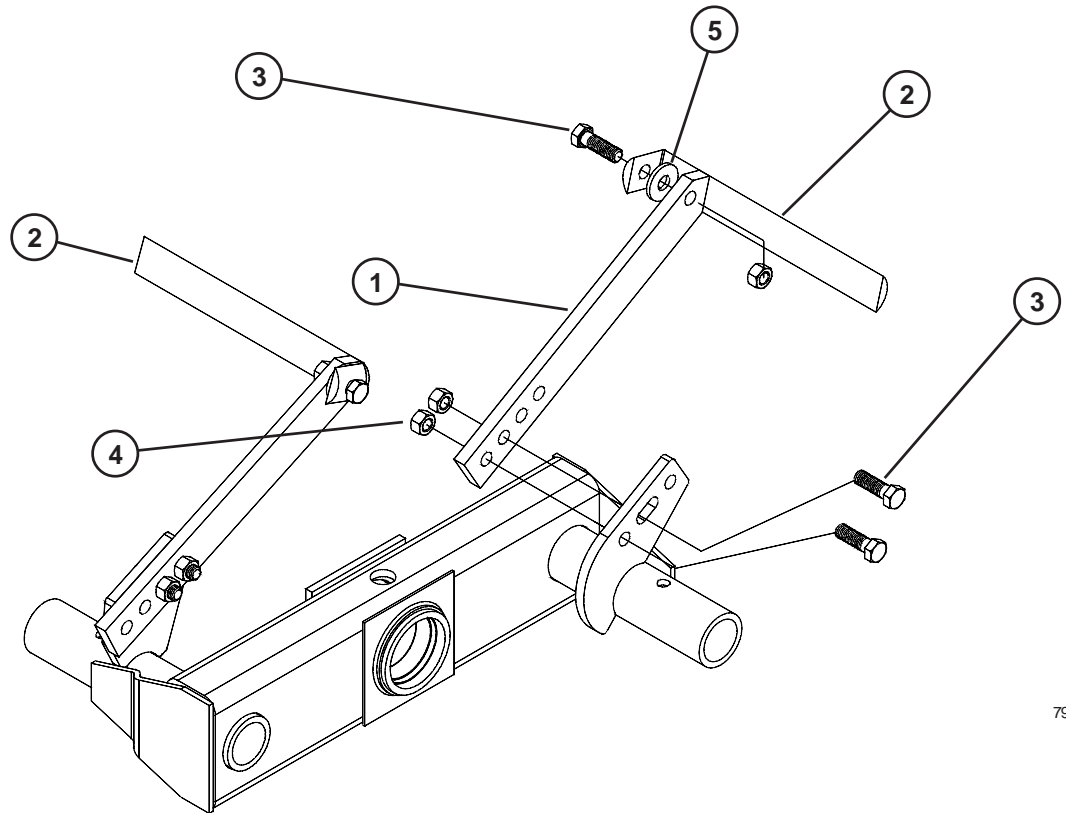
ITEM	PART NO.	DESCRIPTION
15	233520	RIGHT BRACE ARM
16	233521	LEFT BRACE ARM
17	88453	5/8"NCX4"X4-1/2"U-BOLT
18	88503	5/8"NCx3"x5-1/4" U-BOLT

Standard Nuts and Lock Washers

88172	1/4NC Nut	88262	1/4 Lock Washer
88103	3/8NC Nut	88362	3/8 Lock Washer
88104	1/2NC Nut	88303	1/2 Lock Washer
88126	5/8NC Nut	88129	5/8 Lock Washer
88110	3/4NC Nut	88130	3/4 Lock Washer
88371	7/8NC Nut	88341	7/8 Lock Washer

Note: Standard nuts and lock washers are not called out. Anything other than standard will be called out.

MUD SCRAPERS

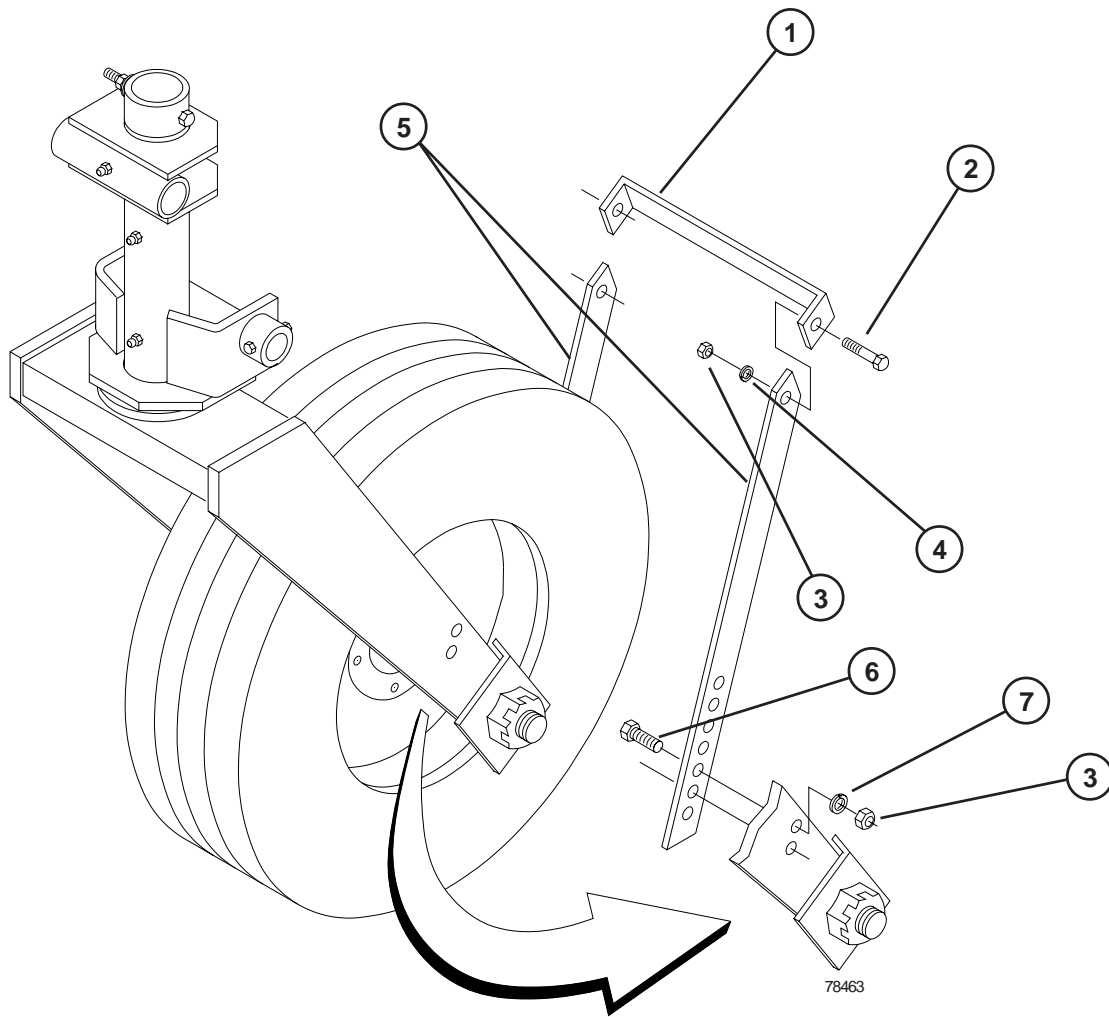


79282

ITEM	PART NO	DESCRIPTION
	61851	TIRE SCRAPER KIT (PR)
1	61835	SCRAPER BAR
2	61837	5/8" DIAx13-1/2" SCRAPER BAR
3	88294	5/8"NCx2" GR5 BOLT
4	88845	5/8"NC LOCK NUT
5	88277	5/8" FLAT WASHER

NOTE: 1 Kit does two (2) tires.

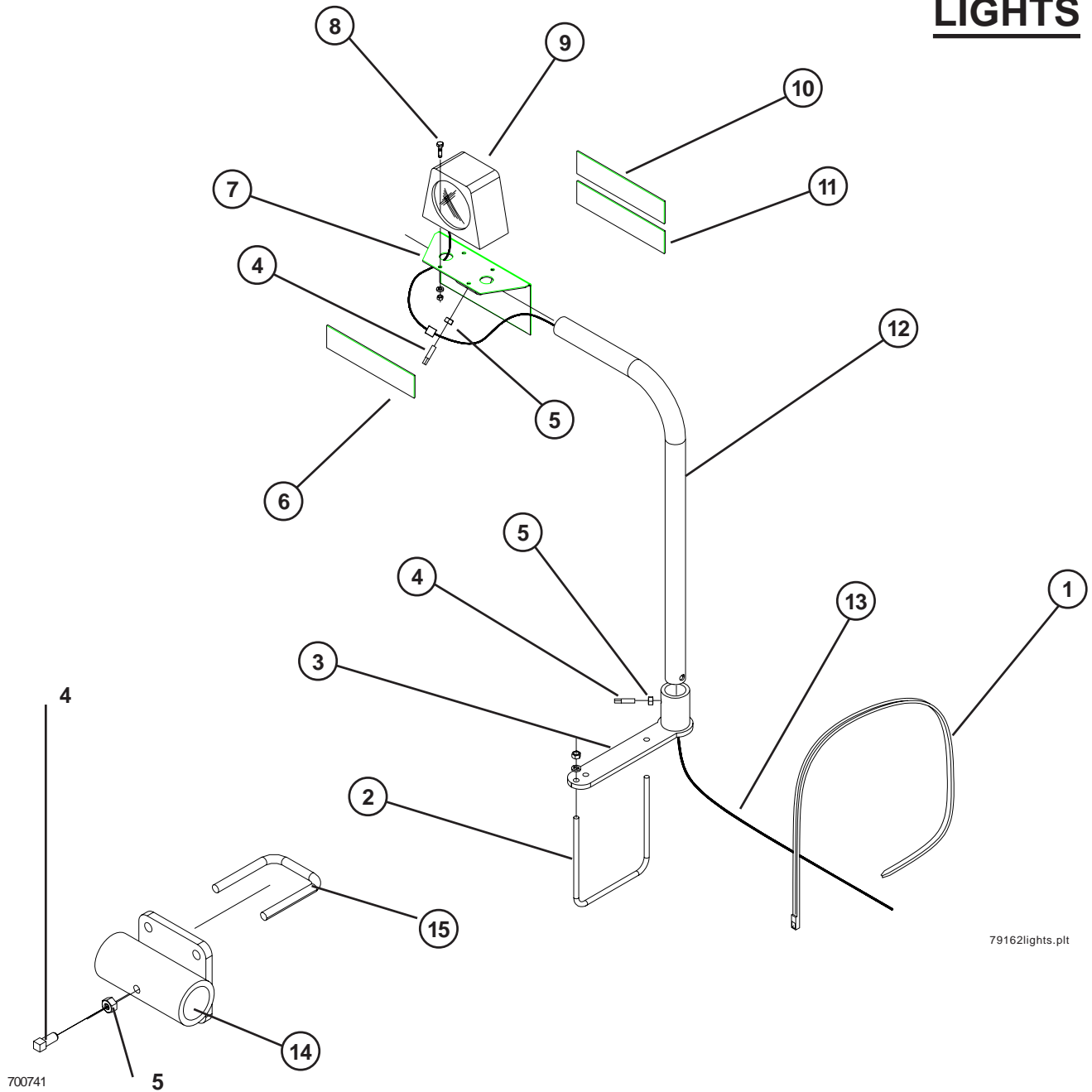
GAUGE WHEEL SCRAPER



ITEM	PART NO	DESCRIPTION
	58799	GAUGE WHEEL SCRAPER KIT
1	58800	SCRAPER BLADE - 18"
2	88475	1/2"X1-1/2" GR5 BOLT
3	88104	1/2"NC NUT
4	88303	1/2" LOCK WASHER

ITEM	PART NO	DESCRIPTION
5	40915	SCRAPER BAR
6	88517	1/2"NCX1-3/4" GR5 BOLT
7	88303	1/2" LOCK WASHER

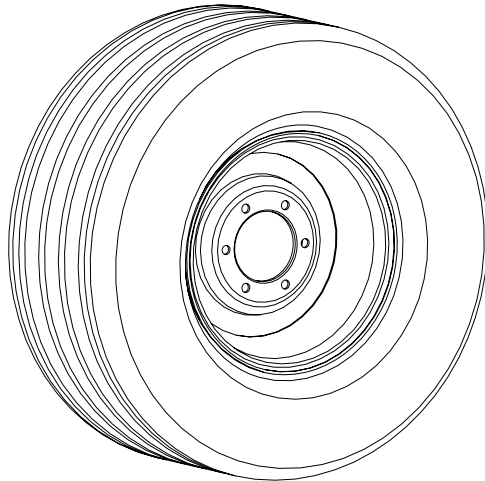
LIGHTS



79162lights.plt

ITEM	PART NO	DESCRIPTION	ITEM	PART NO	DESCRIPTION
	233685	LIGHT KIT (QX/XL SMALL WING)	11	223118	RED/ORANGE FLUORESCENT DECAL
	223178	LIGHT KIT (QX/XL)	12	223140	12"x12" LIGHT ARM
1	13479	4" SQUARE TIE LOOP		223121	48" OFFSET LIGHT ARM
2	88385	3/8"NCx4"x4-3/4" U-BOLT	13	223330	AG LIGHT KIT
3	223130	SHORT BASE PIVOT		223145	AG MODULE
4	88702	3/8"NCx3/4" SQ HEAD SET SCREW		223146	WISHBONE 4 LEAD
5	88103	3/8"NC NUT		64597	35' HARNESS
6	22372	AMBER REFLECTOR	14	223123	PIVOT PLATE - R/B 240237
7	223126	LIGHT/REFLECTOR BRACKET	15	88386	3/8"NCx2-1/2"x3-1/4" U-BLT
8	88203	1/4"NCx1" BOLT			
9	223143	AMBER LIGHT			
	223144	RED LIGHT			
10	22371	RED REFLECTOR			

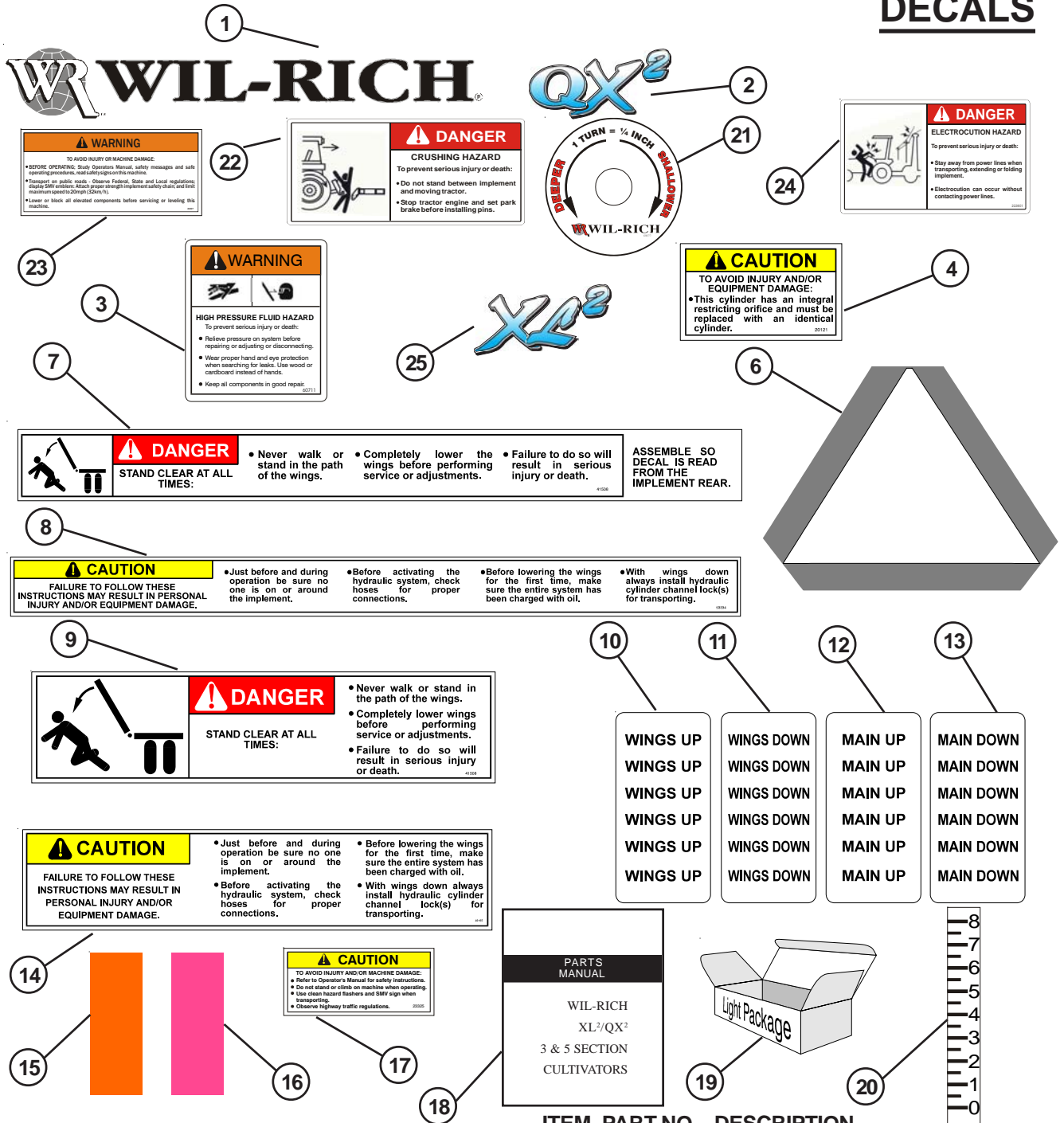
TIRE ASSEMBLIES, RIMS, TIRES , VALVE STEMS



IDENTIFY WHICH TIRE ASSEMBLY YOU REQUIRE, MOST WIL-RICH IMPLEMENTS HAVE MULTIPLE TIRE/RIM OPTIONS.

ASSEMBLY	DESCRIPTION
16290	WHL ASSY 9.5LX15 6B 8" 8PLY
10498	RIM 15X8 6B (W511535V PO2)
16287	TIRE 95LX15 8PLY
30784	VALVE STEM ASSY TR415
24538	WHL ASSY 11LX15 6B 8" 8P GRAY
10498	RIM 15X8 6B (W511535V PO2)
29066	TIRE 11L X 15 8PLY
30784	VALVE STEM ASSY TR415
65696	WHL ASSY 11LX15 6B 10" 12PGRAY
41279	TIRE 11L X 15 12 PLY
46714	RIM 15X10 6B (W50534VP02)
57908	VALVE ASSEMBLY (STEEL)
222087	WHL ASSY 31X13.5 6B 10" 12P GRAY
222088	31 X 13.50-15 12PLY TIRE
46714	RIM 15X10 6B (W50534VP02)
57908	VALVE ASSEMBLY (STEEL)
246254	WHL ASSY 13.50-15FI 8B 10IN F
203196	RIM 15 X 10 8B 8-6 (W51350V P02)
246253	13.50-15 FI F HWY IMP TIRE
57908	VALVE ASSEMBLY (STEEL)

DECALS



ITEM	PART NO	DESCRIPTION	ITEM	PART NO	DESCRIPTION
1	64404	WIL-RICH DECAL	13	54903	MAIN DOWN DECAL
2	242815	QX ² DECAL	14	49165	CAUTION DECAL
3	60711	HIGH PRESSURE FLUID HAZARD	15	22372	AMBER REFLECTOR
4	20121	INTEGRAL RESTRICTOR DECAL	16	22371	RED REFLECTOR
5	242816	XL ² DECAL	17	23325	CAUTION DECAL - READ
6	41345	SMV KIT	18	74294	QX ² /XL ² PARTS MANUAL
7	41508	WING LOCK DANGER DECAL	19	223178	CLEARANCE LIGHT PACKAGE
8	53334	CAUTION DECAL	20	69304	DEPTH GAUGE DECAL
9	49163	WING LOCK DANGER DECAL	21	69077	DEPTH ADJUSTMENT DECAL
10	54900	WINGS UP DECAL	22	222802	CRUSHING DECAL
11	54901	WINGS DOWN DECAL	23	24227	WARNING DECAL-OPERATING
12	54902	MAIN UP DECAL	24	222801	ELECTROCUTION DECAL

NOTES

