



PARTS MANUAL

QuadX

EXCEL

3&5 SECTION FIELD CULTIVATORS

SERIAL NUMBER 456900 & UP

Printed in USA (74287) 6/07

 WIL-RICH

PO Box 1030

Wahpeton, ND 58074

PH (701) 642-2621

Fax (701) 642-3372

www.wil-rich.com

WARRANTY

The only warranty Wil-Rich gives and the only warranty the dealer is authorized to give is as follows:

We warrant products sold by us to be in accordance with our published specifications or those specifications agreed to by us in writing at time of sale. Our obligation and liability under this warranty is expressly limited to repairing, or replacing, at our option, within 12 months after date of retail delivery, any product not meeting the specifications. ***We make no other warranty, express or implied and make no warranty of merchantability or of fitness for any particular purpose.*** Our obligation under the warranty shall not include any transportation charges or costs or installation or any liability for direct, indirect or consequential damage or delay. If requested by us, products or parts for which a warranty claim is made are to be returned transportation prepaid to our factory. Any improper use, operation beyond rated capacity, substitution of parts not approved by us, or any alteration or repair by others in such manner as in our judgment affects the product materially and adversely shall void this warranty. ***No employee or representative is authorized to change this warranty in any way or grant any other warranty.***

Wil-Rich reserves the right to make improvement changes on any of our products without notice.

When warranty limited or not applicable: Warranty on hoses, cylinders, hubs, spindles, engines, valves, pumps or other trade accessories are limited to the warranties made by the respective manufactures of these components. Rubber tires and tubes are warranted directly by the respective tire manufacturer only, and not by Wil-Rich.

Warranty does not apply to any machine or part which has been repaired or altered in any way so as in the our judgment to affect its reliability, or which has been subject to misuse, negligence or accident.

A Warranty Validation and Delivery Report Form must be filled out and received by Wil-Rich to initiate the warranty coverage.

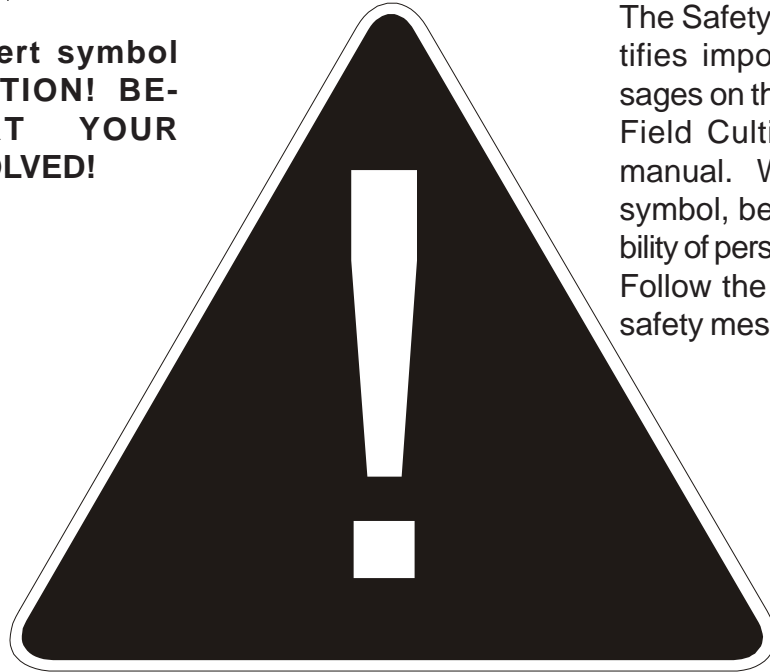
WARRANTY CLAIMS PROCEDURE

1. The warranty form must be returned to Wil-Rich within fifteen (15) working days from the repair date.
2. Parts returned to Wil-Rich without authorization will be refused. The parts must be retained at the dealership for ninety (90) days after the claim has been filed. If the Service Department would like to inspect the parts, a packing slip will be mailed to the dealer. The packing slip must be returned with the parts. The parts must be returned prepaid within thirty (30) days of receiving authorization. After the parts are inspected and warranty is verified, credit for the return freight will be issued to the dealer.
3. Parts that will be scrapped at the dealership will be inspected by a Wil-Rich Sales Representative, District Sales Manager or Service Representative within the ninety (90) day retaining period.

PERSONAL SAFETY IS IMPORTANT!

ALL PERSONNEL INVOLVED WITH THE ASSEMBLY AND/OR OPERATION OF THIS EQUIPMENT MUST BE INFORMED OF PROPER SAFETY PROCEDURES. OPERATOR'S/ ASSEMBLY MANUALS PROVIDE THE NECESSARY INFORMATION. IF THE MANUAL IS LOST FOR A PARTICULAR IMPLEMENT, ORDER A REPLACEMENT AT ONCE. OPERATOR'S AND ASSEMBLY MANUALS ARE AVAILABLE AT NO CHARGE UPON REQUEST.

This Safety Alert symbol means **ATTENTION! BECOME ALERT YOUR SAFETY IS INVOLVED!**



The Safety Alert symbol identifies important safety messages on the Wil-Rich Quad X Field Cultivator and in this manual. When you see this symbol, be alert to the possibility of personal injury or death. Follow the instructions in the safety message.

Why is SAFETY important to you?

3 Big Reasons

Accidents Disable and Kill
Accidents Cost
Accidents Can Be Avoided

SIGNAL WORDS:

Note the use of the signal words **DANGER**, **WARNING** and **CAUTION** with the safety messages. The appropriate signal word for each message has been selected using the following guidelines:

DANGER

An immediate and specific hazard which **WILL** result in severe personal injury or death if the proper precautions are not taken.

WARNING

A specific hazard or unsafe practice which **COULD** result in severe personal injury or death if the proper precautions are not taken

CAUTION

Unsafe practices which **COULD** result in personal injury if proper practices are not taken, or as a reminder of good safety practices.

ADDRESS INQUIRIES TO: WIL-RICH PO BOX 1030
WAHPETON, ND 58074
PH (701) 642-2621 FAX (701) 642-3372

Orientation

Any reference to left (L) or right (R) sides or components is to be understood as being viewed from behind the implement and looking forward.

Serial Number Break

Every implement has a serial number located on the frame. These serial numbers are consecutively assigned to the implements as they are manufactured. To aid in part ordering, we reference to the serial number at the point the change occurred to provide an accurate means of determining the proper parts.

Modifications

It is the policy of WIL-RICH Operations to improve its products whenever possible and practical to do so. We reserve the right to make changes, improvements, and modifications at any time without incurring the obligation to make such changes, improvements and modifications on any equipment sold previously.

Abbreviations

ASSY	Assembly
BLD	Blade
BRKT	Bracket
CTR	Center
CP	Cup Point
(FF)	Female Female
GR	Grade of Bolt
HD	Heavy Duty
HDWE	Hardware
LH	Left Hand
(MF)	Male Female
MF	Main Frame
MTG	Mounting
NC	National Course Thread
NF	National Fine Thread
NPT	National Pipe Thread
RH	Right Hand
SS	Screw Stop
SST	Stainless Steel
TA	Tandem
TBP	Top Bypass
W/	With
W/O	Without
ADP	Adaptor
ELB	Elbow
MJ	Male JIC
FJ	Female JIC
FJX	Female JIC Swivel
MPT	Male Pipe Thread
MORB	Male O-ring Boss

ASSEMBLY

EXCEL 11', 13' & 16' MAIN FRAME 6
 QUADX 13' & 16' MAINFRAME 7
 EXCEL 13' & 16' HITCH 8
 EXCEL HITCH ASSEMBLY CONTINUED 9
 QUADX 13' & 16' HITCH ASSEMBLY 10
 EXCEL 7' & 9'4" WING 11
 EXCEL 11'8" INNER WING 12
 EXCEL 5 SECTION 11'8" INNER WING 13
 QUADX 7' & 9'4" WING 14
 QUADX 11'8" INNER WING 15
 QUADX 5 SECTION 11'8" INNER WING 16
 QUADX/EXCEL 5 SECTION OUTER WING HINGE .. 17
 QUADX/EXCEL 7' OR 9'4" OUTER WING 18
 3' OUTER WING 19
 5' FLOATING OUTER WING W/GAUGE WHEEL 20
 6' FLOATING OUTER WING W/GAUGE WHEEL 21
 WING LIFT COMPONENTS 22
 5 SECTION INNER WING HINGE 23
 PARALLEL LINK GAUGE WHEEL 24
 QUADX PARALLEL LINK GAUGE WHEEL 25,26
 OUTER WING HYDRAULIC GAUGE WHEEL 27,28
 QUADX & EXCEL MAIN AXLE & WKG TANDEM 29
 1-3/4", 2" & 2-1/2" HUB & SPINDLE 30
 GAUGE WHEEL HUB & SPINDLE 31
 11', 13' & 16' EXCEL WING REST 32
 13' & 16' QUADX WING REST 33
 EXCEL/QUADX 5 SECTION WING REST 34,35
 SHOVELS 36
 DEPTH GAUGE 37
LIFT HYDRAULICS
 SINGLE POINT DEPTH CONTROL 38
 SEQUENCE VALVE & CROSSOVER VALVE 39
 5 SEC EXCEL 13'MF w/11'8" IW 7' & 9'4" OW 40,41
 5 SEC EXCEL 16'MF w/11'8" IW 7' & 9'4" OW 42,43
 5 SEC QUADX 13'MF w/11'8" IW 7' & 9'4" OW 44,45
 5 SEC QUADX 16'MF w/11'8" IW 7' & 9'4" OW 46,47
WING FOLD HYDRAULICS
 5 SEC EXCEL 13'MF w/11'8" IW 7' & 9'4" OW 48,49
 5 SEC EXCEL 16'MF w/11'8" IW 7' & 9'4" OW 50,51
 5 SEC QUADX 13'MF w/11'8" IW 7' & 9'4" OW 52,53
 5 SEC QUADX 16'MF w/11'8" IW 7' & 9'4" OW 54,55

LIFT HYDRAULICS

QUADX 13'MF w/7' WING 56
 QUADX 13'MF w/9'4" & 11'8" WING 57
 QUADX 16'MF w/11'8" WING 58

WING FOLD HYDRAULICS

QUADX 13'MF w/7' WING 59
 QUADX 13'MF w/9'4" & 11'8" WING 60
 QUADX 13'MF w/9'4" IW & 3',5' & 6' OW 61
 QUADX 13'MF w/11'8" IW & 3',5' & 6' OW 62
 QUADX 16'MF w/11'8" WING 63
 QUADX 16'MF w/11'8" IW & 3',5' & 6' OW 64

LIFT HYDRAULICS

EXCEL 11'MF w/4' WING 65
 EXCEL 11'MF w/7' WING 66
 EXCEL 11'MF w/9'4" WING 67
 EXCEL 13'MF w/9'4" & 11'8" WING 68
 EXCEL 16'MF w/11'8" WING 69

WING FOLD HYDRAULICS

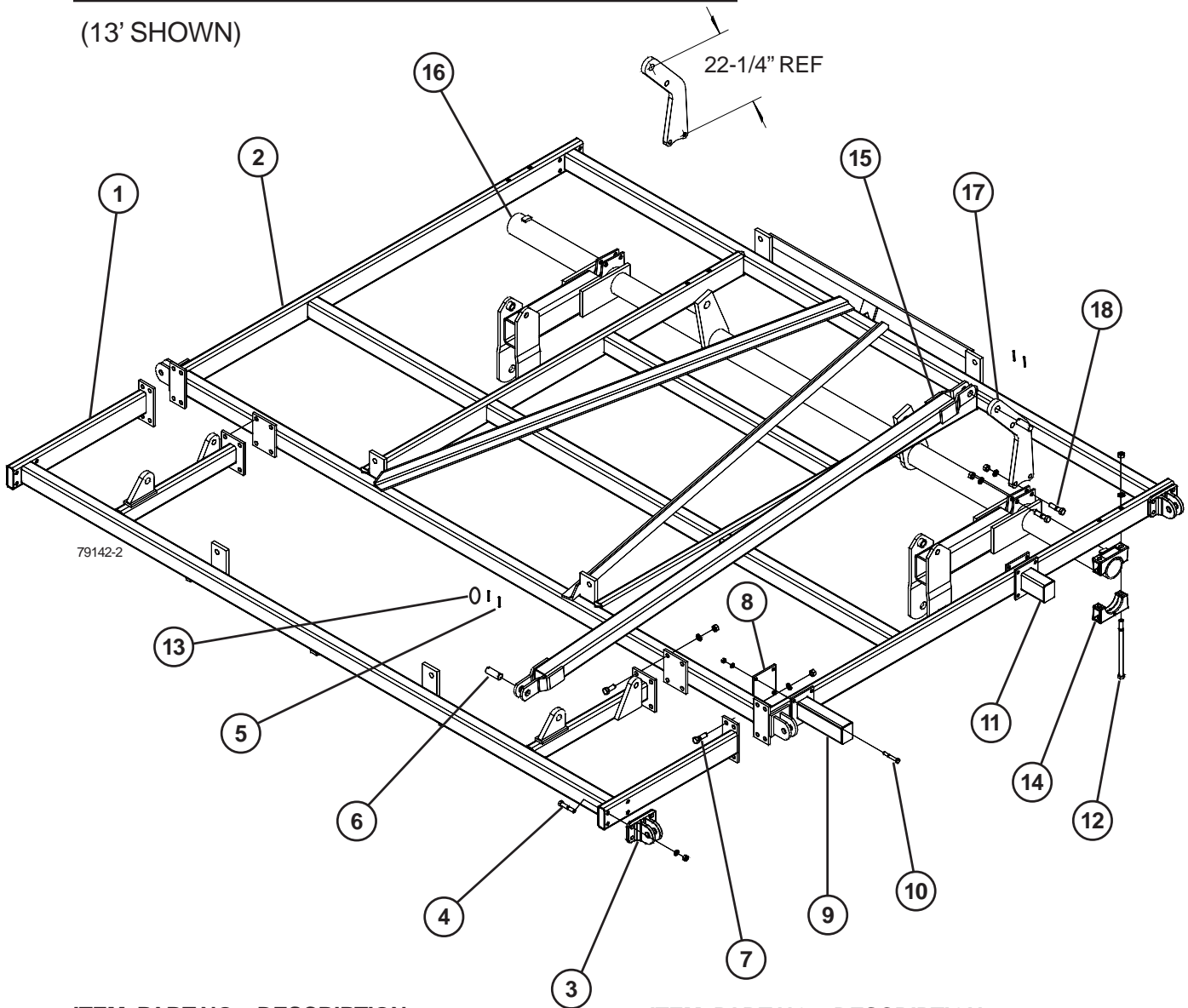
EXCEL 11'MF w/4' WING 70
 EXCEL 11'MF w/7' WING 71
 EXCEL 11'MF w/9'4" WING 72
 EXCEL 11'MF w/9'4" IW & 3' & 5' OW 73
 EXCEL 13'MF w/9'4" & 11'8" WING 74
 EXCEL 13'MF w/9'4" IW & 3',5' & 6' OW 75
 EXCEL 13'MF w/11'8" IW & 3',5' & 6' OW 76
 EXCEL 16'MF w/11'8" WING 77
 EXCEL 16'MF w/11'8" IW & 3',5' & 6' OW 78

SHANKS

TWIN SPRING SHANK ASSEMBLY 79
 SINGLE SPRING SHANK ASSEMBLY 80
 REAR HITCH & BRACE ARMS 81
 MUD SCRAPERS 82
 GAUGE WHEEL SCRAPER 83
 LIGHTS 84
 DECALS 85

11', 13' & 16' EXCEL MAIN FRAME

(13' SHOWN)



ITEM	PART NO	DESCRIPTION
1	68017	11' FRONT FRAME BAR
	220861	13' FRONT FRAME BAR
	220862	16' FRONT FRAME BAR
2	68016	11' FRONT FRAME BAR
	220777	13' MAIN FRAME
	221074	16' MAIN FRAME
3	68067	WING HINGE
4	88292	5/8"NCx3-1/2" GR5 BOLT
5	42484	SPIROL PIN 1/4"x2-1/4"
6	68034	PIN (1-1/4"x3-3/8")
7	88290	3/4"NCx2" GR8 BOLT
8	65688	3/8" BOLT PLATE 5-1/2"x4-3/4"
9	68020	12-1/2" SHANK STUB
10	88507	1/2"NCx3-1/2" GR5 BOLT
11	68021	6-1/2" SHANK STUB
12	89165	3/4"NCx13" GR5 BOLT
13	88440	1-1/4"x1-7/8"x 14 GA BUSHING
14	34132	AXLE CLAMP ASSEMBLY

ITEM	PART NO	DESCRIPTION
15	67707	MF AXLE SUPPORT ARM
16	221396	11' XL MAIN AXLE ASSY
	221465	13' QX/XL MAIN AXLE ASSY
	221325	16' QX/XL MAIN AXLE ASSY
17	221262	12.6 MAST ANCHOR(EXCEL)
18	88841	3/4"NC x 2-3/4" GR5 BOLT

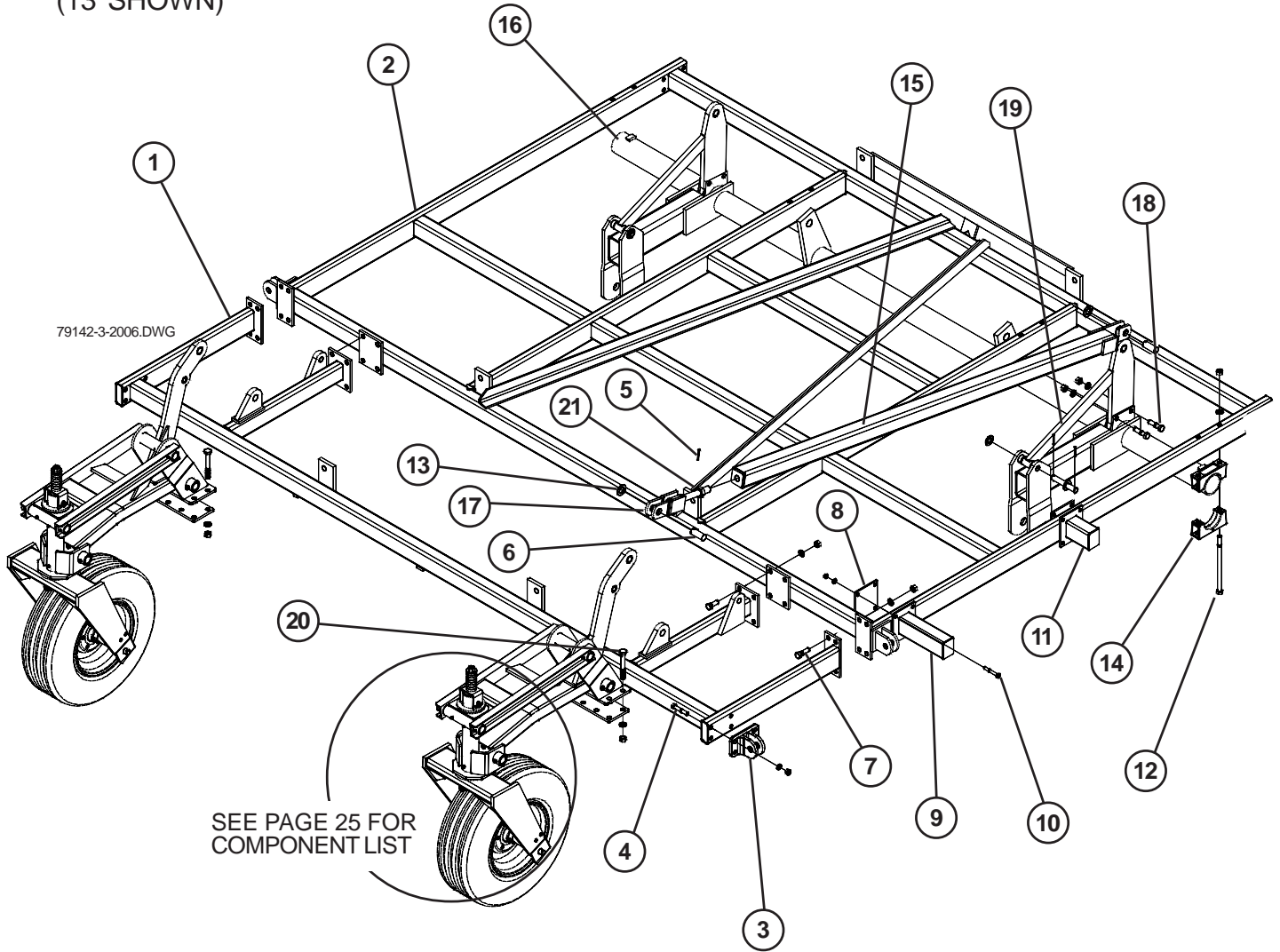
Standard Nuts and Lock Washers

88172	1/4NC Nut	88262	1/4 Lock Washer
88103	3/8NC Nut	88362	3/8 Lock Washer
88104	1/2NC Nut	88303	1/2 Lock Washer
88126	5/8NC Nut	88129	5/8 Lock Washer
88110	3/4NC Nut	88130	3/4 Lock Washer
88371	7/8NC Nut	88341	7/8 Lock Washer

Note: Standard nuts and lock washers are not called out. Anything other than standard will be called out.

13' & 16' QUADX MAIN FRAME

(13' SHOWN)



ITEM	PART NO	DESCRIPTION
1	220861	13' FRONT FRAME BAR
	220862	16' FRONT FRAME BAR
2	220777	13' MAIN FRAME
	221074	16' MAIN FRAME
3	68067	WING HINGE
4	88292	5/8"NCx3-1/2" GR5 BOLT
5	42484	SPIROL LOCK PIN
6	68034	PIN (1-1/4"x3-3/8")
7	88290	3/4"NCx2" GR8 BOLT
8	65688	3/8" BOLT PLATE 5-1/2"x4-3/4"
9	68020	12-1/2" SHANK STUB
10	88507	1/2"NCx3-1/2" GR5 BOLT
11	68021	6-1/2" SHANK STUB
12	89165	3/4"NCx13" GR5 BOLT
13	88440	1-1/4"x1-7/8"x 14 GA BUSHING
14	34132	AXLE CLAMP ASSEMBLY

ITEM	PART NO	DESCRIPTION
15	221461	MAIN MAST TUBE
16	221465	13' QX/XL MAIN AXLE ASSY
	221325	16' QX/XL MAIN AXLE ASSY
17	54800	CLEVIS ADJUST ROD
18	88841	3/4"NC x 2-3/4" GR5 BOLT
19	220769	AXLE ANCHOR (QUADX)
20	88293	3/4"NC x 6" GR5 BOLT
21	88622	1-1/4"NC JAM NUT

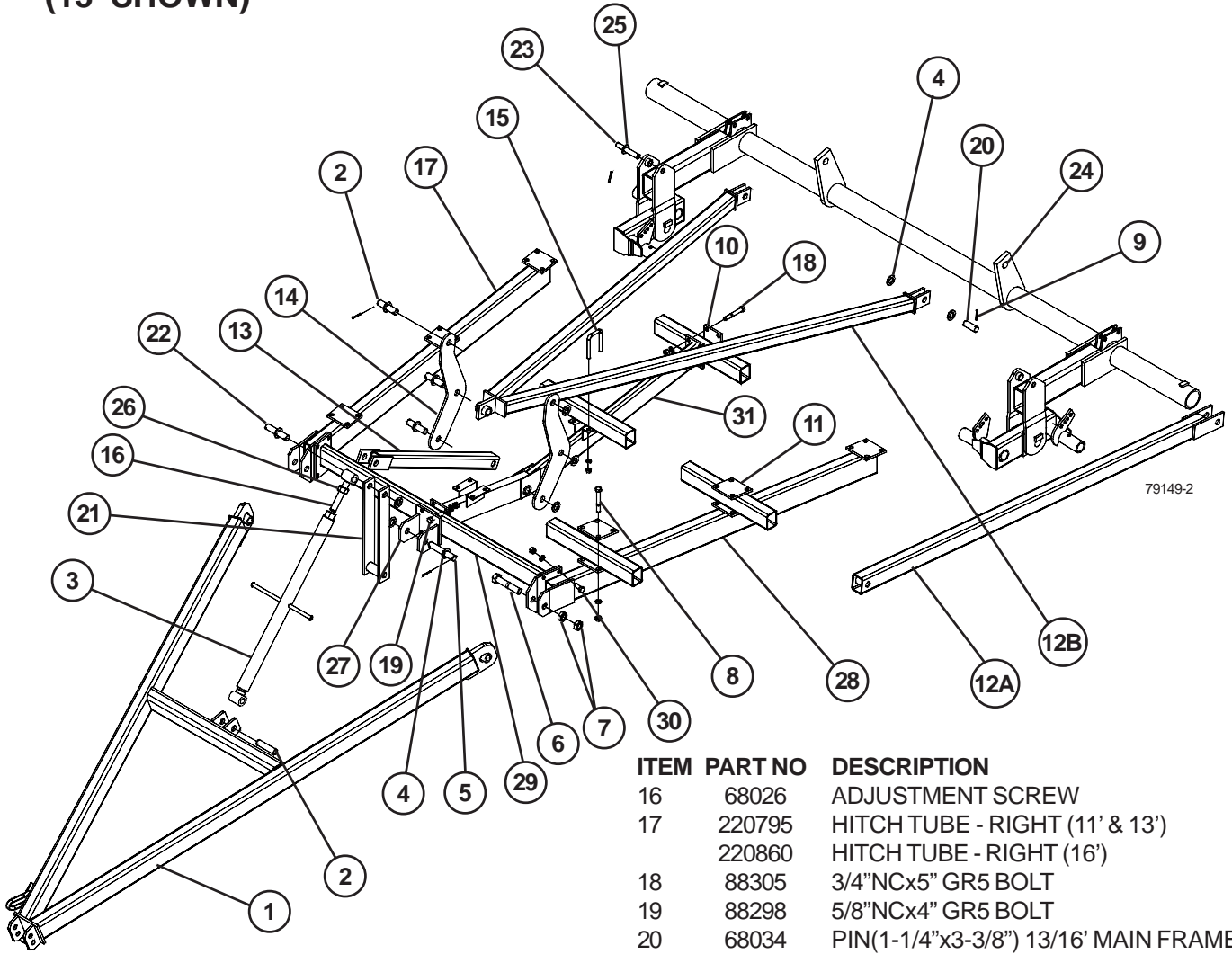
Standard Nuts and Lock Washers

88172	1/4NC Nut	88262	1/4 Lock Washer
88103	3/8NC Nut	88362	3/8 Lock Washer
88104	1/2NC Nut	88303	1/2 Lock Washer
88126	5/8NC Nut	88129	5/8 Lock Washer
88110	3/4NC Nut	88130	3/4 Lock Washer
88371	7/8NC Nut	88341	7/8 Lock Washer

Note: Standard nuts and lock washers are not called out. Anything other than standard will be called out.

EXCEL 11', 13' & 16' HITCH ASSEMBLY

(13' SHOWN)



79149-2

ITEM	PART NO	DESCRIPTION
1	68086	11' EXC MAIN FRAME HITCH
	233672	13' EXC MAIN FRAME HITCH
	221161	16' EXC MAIN FRAME HITCH
2	68031	PIN (1-1/4"ODx5-1/8")
3	68036	ADJUSTER ASSEMBLY
4	88440	MACHINERY BUSHING 1-1/4"x1-7/8"x14 GA
5	68032	PIN (1-1/4"ODx7-1/4")
6	88349	1-1/4"NCx6-1/2" GR5 BOLT
7	88622	1-1/4"NC JAM NUT
8	88293	3/4"NCx6" GR5 BOLT
9	42484	SPIROL PIN 1/4"x2-1/4"
10	68354	4 HOLE BOLT PLATE(3.5"x4.75")
11	68040	4 HOLE DIAMOND PLATE 65°
	68083	4 HOLE DIAMOND PLATE 81°
12A	68084	11 EXC CENTER LIFT TUBE BRACKET
12B	67743	13 EXC CENTER LIFT TUBE BRACKET
	68071	16 EXC CENTER LIFT TUBE BRACKET
13	67906	LINKAGE
14	67933	PLATE
15	88503	5/8"NCx3"x5-1/4" U-BOLT

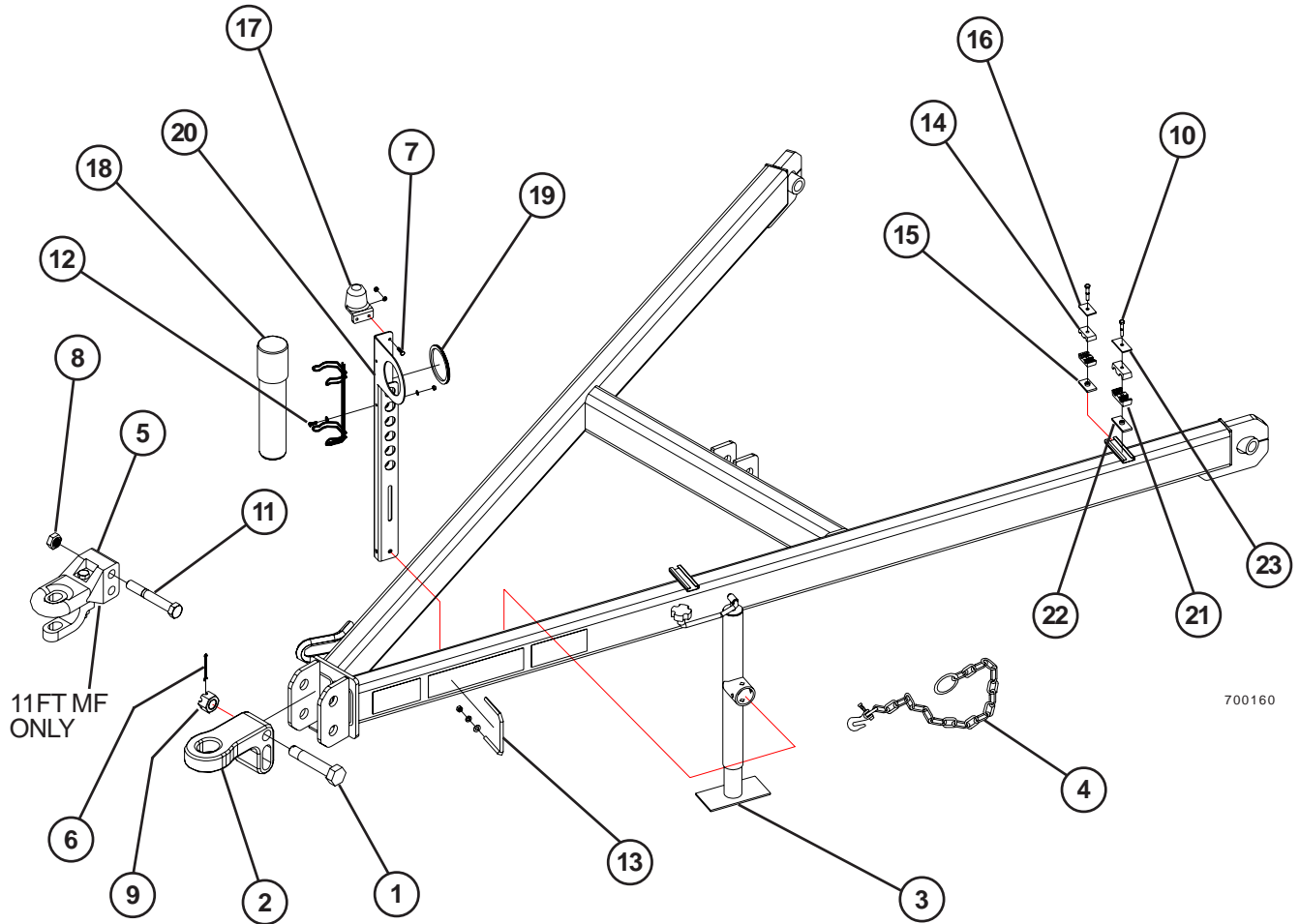
ITEM	PART NO	DESCRIPTION
16	68026	ADJUSTMENT SCREW
17	220795	HITCH TUBE - RIGHT (11' & 13')
	220860	HITCH TUBE - RIGHT (16')
18	88305	3/4"NCx5" GR5 BOLT
19	88298	5/8"NCx4" GR5 BOLT
20	68034	PIN(1-1/4"x3-3/8") 13/16' MAIN FRAME
	68031	PIN(1-1/4"x5-1/8") 11FT MAIN FRAME
21	67937	CENTER HITCH BRACKET
22	68030	PIN (1-1/4"x6-1/8")
23	68033	PIN (1x6-3/8")
24	33535	SPRING TENSION BUSHING(1-1/4")
25	88196	1" FLAT WASHER
26	88622	1-1/4"NC JAM NUT
27	221062	CENTER HITCH BRACKET
28	220796	HITCH TUBE - LEFT(11' & 13')
	220859	HITCH TUBE - LEFT (16')
29	220791	HITCH TUBE (11')
	220792	HITCH TUBE (13')
	220858	HITCH TUBE (16')
30	88294	5/8"NCx2" GR5 BOLT
31	220785	CENTER FRAME HITCH ATTACH

Standard Nuts and Lock Washers

88172	1/4NC Nut	88262	1/4 Lock Washer
88103	3/8NC Nut	88362	3/8 Lock Washer
88104	1/2NC Nut	88303	1/2 Lock Washer
88126	5/8NC Nut	88129	5/8 Lock Washer
88110	3/4NC Nut	88130	3/4 Lock Washer
88371	7/8NC Nut	88341	7/8 Lock Washer

Note: Standard nuts and lock washers are not called out. Anything other than standard will be called out.

EXCEL HITCH ASSEMBLY CONTINUED



ITEM	PART NO	DESCRIPTION
1	11638	1-1/4"NCX6-1/2" HITCH BOLT
2	18236	CAST DUAL HITCH
3	24415	JACK
4	24459	SAFETY CHAIN
5	68057	PERFECT HITCH
	68055	PERFECT HITCH-BASE
	68056	PERFECT HITCH-CLEVIS
6	88133	3/16"X2" COTTER PIN
7	88203	1/4"NC X 1" HEX BOLT
8	88348	1"NC CENTER LOCK NUT
9	88350	1-1/4"NC SLOTTED NUT
10	88480	5/16"NC X 1-3/4" HEX BOLT
11	88687	1"NC X 7" GR8 HEX BOLT
12	88993	1/4"NC X 3/4" HEX BOLT
13	89069	3/8"NC X 4" X 5" U-BOLT
14	220645	CUSHION CLAMP 3/8"
15	221443	BASE PLATE 3/8"
16	221445	COVER PLATE 3/8"
17	223329	PLUG HOLDER
18	234313	STORAGE TUBE-MANUAL
19	236092	RUBBER EDGE
20	236142	HYDRAULIC HOSE BRACKET

ITEM	PART NO	DESCRIPTION
21	238400	CUSHION CLAMP 1/2"
22	238401	BASE PLATE 1/2"
23	238402	COVER PLATE 1/2"

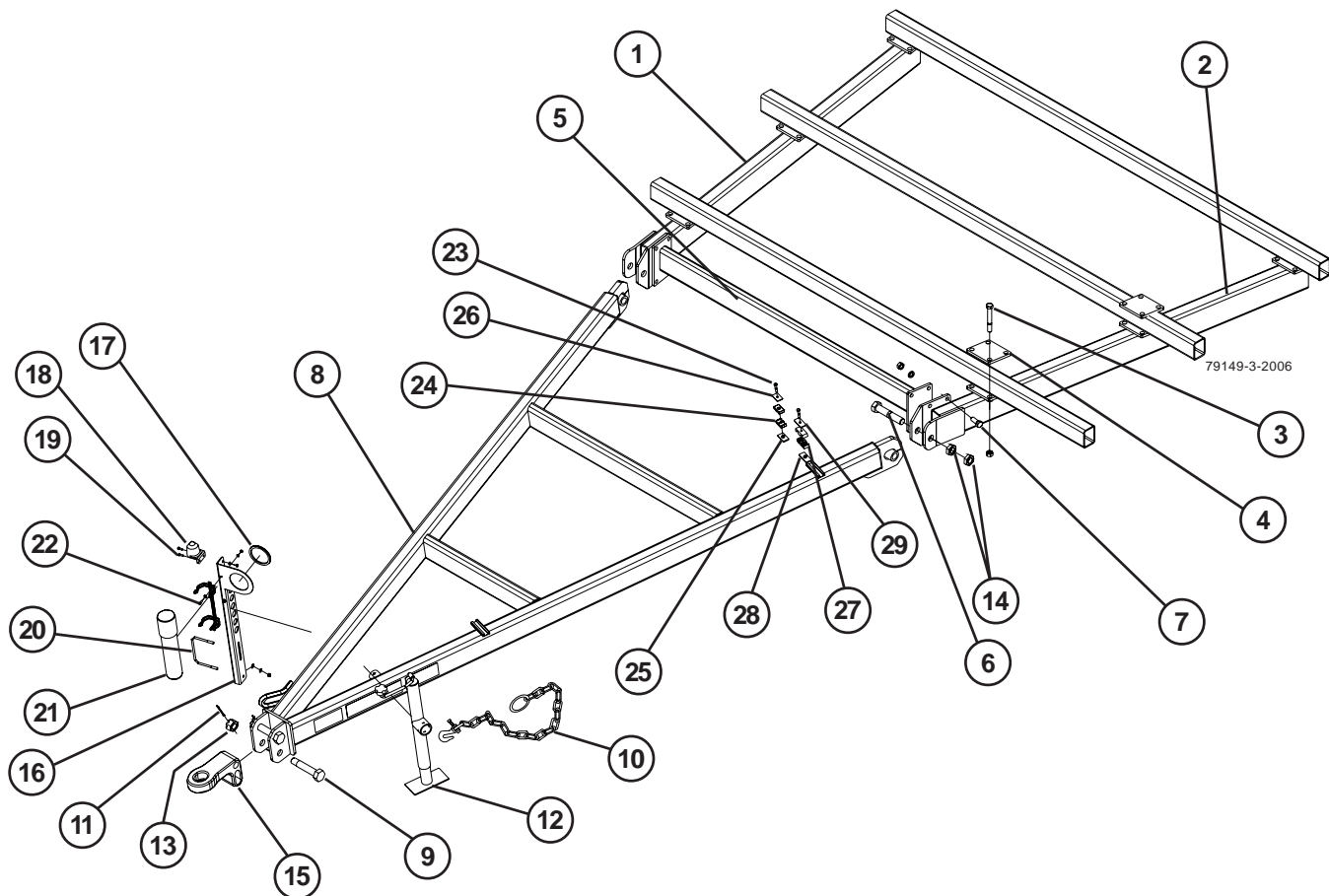
Standard Nuts and Lock Washers

88172	1/4NC Nut	88262	1/4 Lock Washer
88103	3/8NC Nut	88362	3/8 Lock Washer
88104	1/2NC Nut	88303	1/2 Lock Washer
88126	5/8NC Nut	88129	5/8 Lock Washer
88110	3/4NC Nut	88130	3/4 Lock Washer
88371	7/8NC Nut	88341	7/8 Lock Washer

Note: Standard nuts and lock washers are not called out. Anything other than standard will be called out.

QUADX 13' & 16' HITCH ASSEMBLY

(13' SHOWN)



ITEM	PART NO	DESCRIPTION
1	220860	RIGHT HITCH TUBE (16')
	220795	RIGHT HITCH TUBE (13')
2	220796	LEFT HITCH TUBE (13')
	220859	LEFT HITCH TUBE (16')
3	88293	3/4"NCx6" GR5 BOLT
4	68083	PLATE (16')
	68040	PLATE (13')
5	220858	16' HITCH TUBE
	220792	13' HITCH TUBE
6	88349	1-1/4"NCx6-1/2" GR5 BOLT
7	88294	5/8"NCx2" GR5 BOLT
8	233670	13' QX HITCH
	233671	16' QX HITCH
9	11638	1-1/4"NCx6-1/2" HITCH BOLT
10	24459	SAFETY CHAIN
11	88133	3/16"X2" COTTER PIN
12	24415	JACK
13	88350	1-1/4"NC SLOTTED NUT
14	88622	1-1/4"NC JAM NUT
15	18236	CAST DUAL HITCH
16	236142	HYDRAULIC HOSE BRACKET

ITEM	PART NO	DESCRIPTION
17	236092	RUBBER EDGE
18	223329	PLUG HOLDER
19	88203	1/4"NC X 1" HEX BOLT
20	89069	3/8"NC X 4" X 5" U-BOLT
21	234313	STORAGE TUBE-MANUAL
22	88993	1/4"NC X 3/4" HEX BOLT
23	88480	5/16"NC X 1-3/4" HEX BOLT
24	220645	CUSHION CLAMP 3/8"
25	221443	BASE PLATE 3/8"
26	221445	COVER PLATE 3/8"
27	238400	CUSHION CLAMP 1/2"
28	238401	BASE PLATE 1/2"
29	238402	COVER PLATE 1/2"

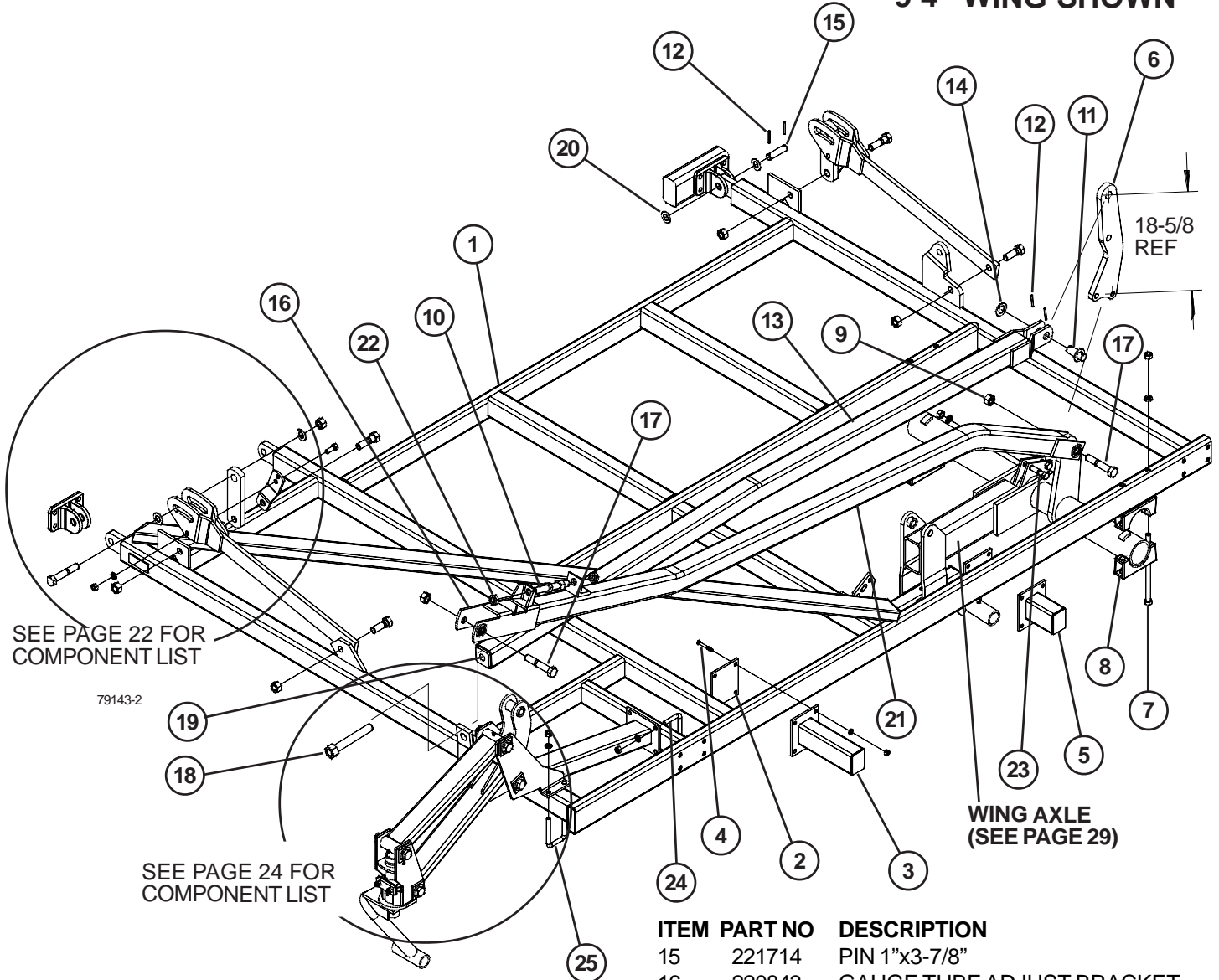
Standard Nuts and Lock Washers

88172	1/4NC Nut	88262	1/4 Lock Washer
88103	3/8NC Nut	88362	3/8 Lock Washer
88104	1/2NC Nut	88303	1/2 Lock Washer
88126	5/8NC Nut	88129	5/8 Lock Washer
88110	3/4NC Nut	88130	3/4 Lock Washer
88371	7/8NC Nut	88341	7/8 Lock Washer

Note: Standard nuts and lock washers are not called out. Anything other than standard will be called out.

EXCEL 7' & 9' 4" WING

9'4" WING SHOWN



ITEM	PART NO	DESCRIPTION
1	68068	7' WING RIGHT
	68069	7' WING LEFT
	220779	9'4" WING RIGHT
	220780	9'4" WING LEFT (SHOWN)
2	65688	3/8" BOLT PLATE (5-1/2"X4-3/4")
3	68020	12-1/2" SHANK STUB
4	88507	1/2"NCx3-1/2" GR5 BOLT
5	68021	6-1/2" SHANK STUB
6	221261	10.8 MAST ANCHOR
7	89165	3/4"NCx13" GR5 BOLT
8	34132	AXLE CLAMP ASSY
9	89075	1"NC NYLON LOCK NUT
10	48890	ADJUSTMENT ROD
11	68034	PIN (1-1/4"x3-3/8")
12	42484	SPIROL PIN 1/4"x2-1/4"
13	67709	WING ADJUST ARM
14	88440	MACHINERY BUSHING (1-1/4"x1-7/8"x14 GA.)

ITEM	PART NO	DESCRIPTION
15	221714	PIN 1"x3-7/8"
16	220843	GAUGE TUBE ADJUST BRACKET
17	88670	1"NCx5-1/2" GR5 BOLT
18	69799	ADJUSTER ROD (9.5)
19	88622	1-1/4"NC JAM NUT
20	88196	1" FLAT WASHER
21	220776	EXCEL WING TUBE 130"
22	88125	1"NC NUT
23	88841	3/4"NC x 2-3/4" GR5 BOLT
24	88388	5/8"NCx4"x3-1/4" U-BOLT
25	88503	5/8"NCx3"x5-1/4" U-BOLT

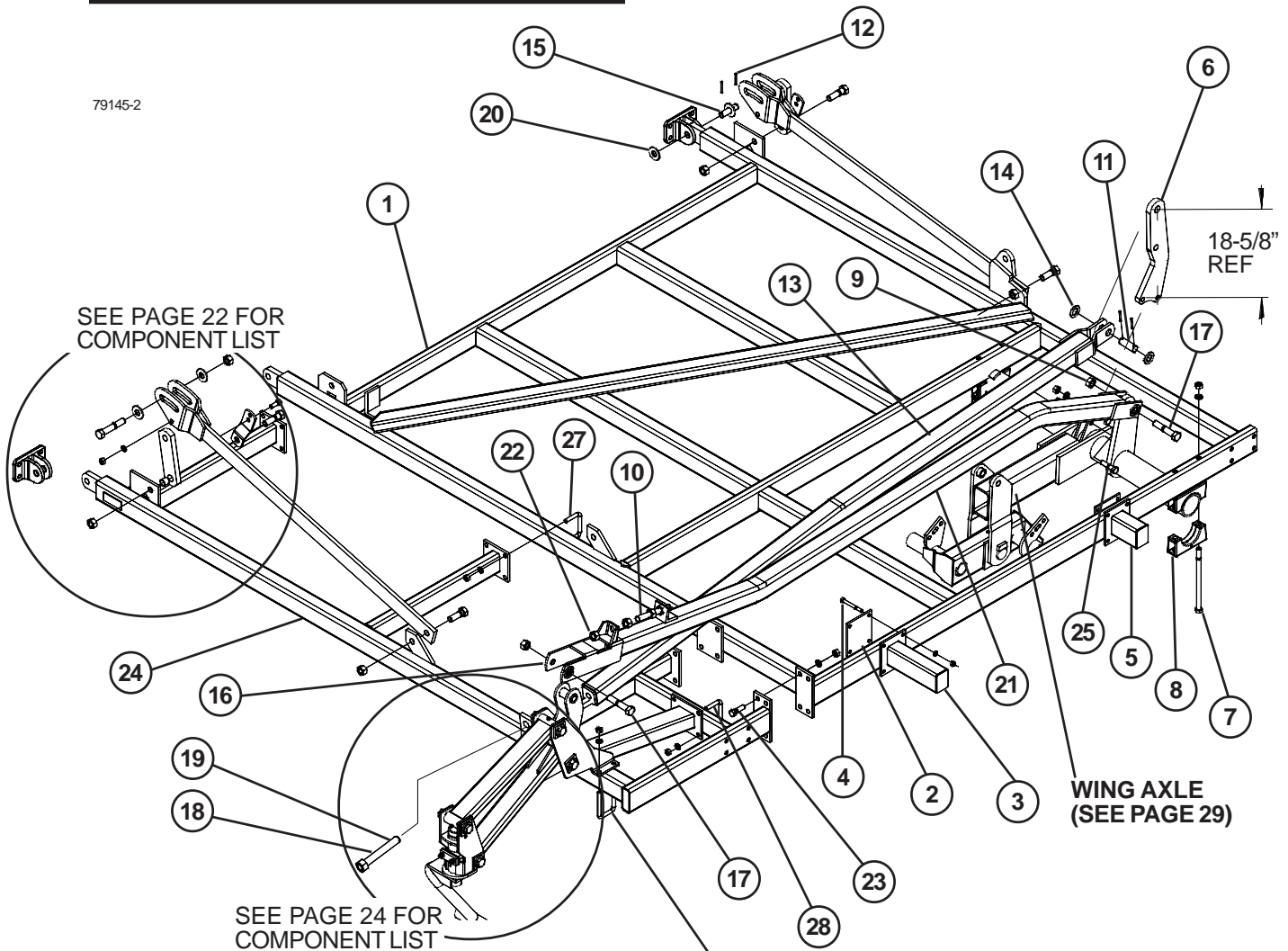
Standard Nuts and Lock Washers

88172	1/4NC Nut	88262	1/4 Lock Washer
88103	3/8NC Nut	88362	3/8 Lock Washer
88104	1/2NC Nut	88303	1/2 Lock Washer
88126	5/8NC Nut	88129	5/8 Lock Washer
88110	3/4NC Nut	88130	3/4 Lock Washer
88371	7/8NC Nut	88341	7/8 Lock Washer

Note: Standard nuts and lock washers are not called out. Anything other than standard will be called out.

EXCEL 11'8" INNER WING

79145-2



ITEM	PART NO	DESCRIPTION
1	220783	11'8" WING RIGHT
	220784	11'8" WING LEFT (SHOWN)
2	65688	BOLT PLATE
3	68020	12-1/2" SHANK STUB
4	88507	1/2"NCx3-1/2" GR5 BOLT
5	68021	6-1/2" SHANK STUB
6	221261	10.8 MAST ANCHOR
7	89165	3/4"NCx13" GR5 BOLT
8	34132	AXLE CLAMP ASSY
9	89075	1"NC NYLON LOCK NUT
10	48890	ADJUSTMENT ROD
11	68034	PIN (1-1/4"x3-3/8")
12	42484	SPIROL PIN 1/4"x2-1/4"
13	67709	WING ADJUST ARM
14	88440	MACHINERY BUSHING (1-1/4"x1-7/8"x14 GA.)
15	221714	PIN 1"x3-7/8"
16	220843	GAUGE TUBE ADJUST BRKT
17	88670	1"NCx5-1/2" GR5 BOLT
18	69799	ADJUSTER ROD (9.5)
19	88622	1-1/4"NC JAM NUT

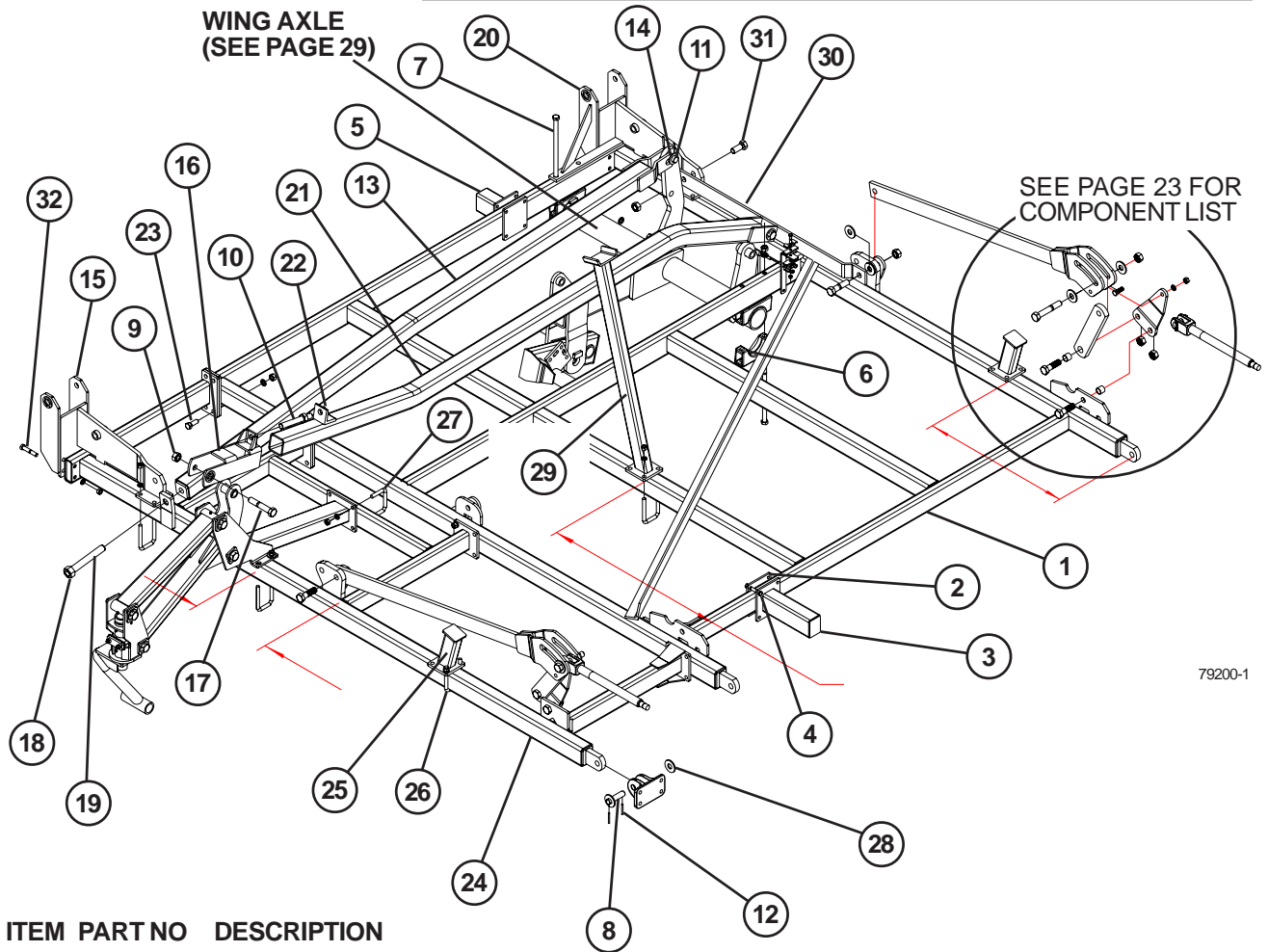
ITEM	PART NO	DESCRIPTION
20	88196	1" FLAT WASHER
21	220776	EXCEL WING TUBE 130"
22	88125	1"NC NUT
23	88290	3/4"NCx2" GR8 BOLT
24	67760	11'8" FRONT WING BAR - RIGHT
	67761	11'8" FRONT WING BAR - LEFT
25	88841	3/4"NC x 2-3/4" GR5 BOLT
26	88503	5/8"NCx3"x5-1/4" U-BOLT
27	88501	5/8"NCx4"x4-1/4" U-BOLT
28	88388	5/8"NCx4"x3-1/4" U-BOLT

Standard Nuts and Lock Washers

88172	1/4NC Nut	88262	1/4 Lock Washer
88103	3/8NC Nut	88362	3/8 Lock Washer
88104	1/2NC Nut	88303	1/2 Lock Washer
88126	5/8NC Nut	88129	5/8 Lock Washer
88110	3/4NC Nut	88130	3/4 Lock Washer
88371	7/8NC Nut	88341	7/8 Lock Washer

Note: Standard nuts and lock washers are not called out. Anything other than standard will be called out.

EXCEL 5 SECTION 11'8" INNER WING



79200-1

ITEM	PART NO	DESCRIPTION
1	221508	11'8" WING RIGHT
	221509	11'8" WING LEFT (SHOWN)
2	65688	BOLT PLATE
3	68020	12-1/2" SHANK STUB
4	88507	1/2"NCx3-1/2" GR5 BOLT
5	68021	6-1/2" SHANK STUB
6	34132	AXLE CLAMP ASSY
7	89165	3/4"NCx13" GR5 BOLT
8	221714	PIN 1"x3-7/8"
9	89075	1"NC NYLON LOCK NUT
10	48890	ADJUSTMENT ROD
11	68034	PIN (1-1/4"x3-3/8")
12	42484	SPIROL PIN 1/4"x2-1/4"
13	67709	WING ADJUST ARM
14	88440	MACHINERY BUSHING (1-1/4"x1-7/8"x14 GA.)
15	221067	XL 5SEC HINGE ASSY RH FRONT
	221068	XL 5SEC HINGE ASSY LH FRONT
16	220843	GAUGE TUBE ADJUST BRACKET
17	88264	1"NCx6" GR5 BOLT
18	69799	ADJUSTER ROD (9.5)
19	88622	1-1/4"NC JAM NUT
20	221498	XL 5SEC HINGE ASSY RH REAR
	221499	XL 5SEC HINGE ASSY LH REAR
21	220776	EXCEL WING TUBE 130"

ITEM	PART NO	DESCRIPTION
22	88125	1"NC NUT
23	88290	3/4"NCx2" GR8 BOLT
24	221165	XL 5SEC 11'8" FRONT WING BAR -RH
	221166	XL 5SEC 11'8" FRONT WING BAR -LH
25	221358	(4.53") WING FOLD STUB
26	88503	5/8"NCx3"x5-1/4" U-BOLT
27	88501	5/8"NCx4"x4-1/4" U-BOLT
28	88196	1" FLAT WASHER
29	221356	XL 5SEC OUTER WING REST
30	221693	ANCHOR STRAP
31	88293	1"NC X 2-1/2" GR5 BOLT
32	88292	5/8"NC X 3-1/2" GR5 BOLT

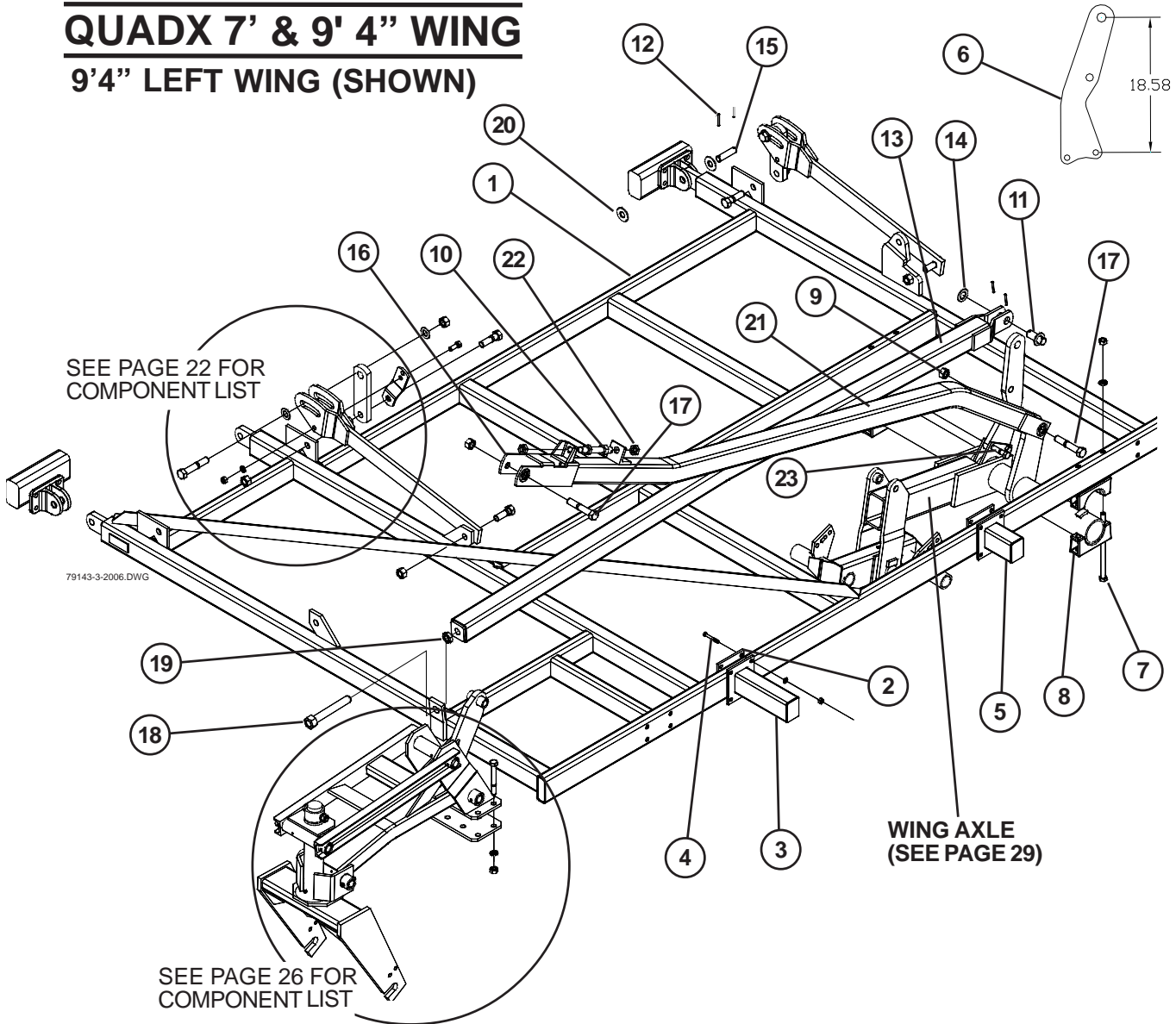
Standard Nuts and Lock Washers

88172	1/4NC Nut	88262	1/4 Lock Washer
88103	3/8NC Nut	88362	3/8 Lock Washer
88104	1/2NC Nut	88303	1/2 Lock Washer
88126	5/8NC Nut	88129	5/8 Lock Washer
88110	3/4NC Nut	88130	3/4 Lock Washer
88371	7/8NC Nut	88341	7/8 Lock Washer

Note: Standard nuts and lock washers are not called out. Anything other than standard will be called out.

QUADX 7' & 9' 4" WING

9'4" LEFT WING (SHOWN)



ITEM	PART NO	DESCRIPTION
1	68068	7' WING RIGHT
	68069	7' WING LEFT
	220779	9'4" WING RIGHT
	220780	9'4" WING LEFT (SHOWN)
2	65688	3/8" BOLT PLATE (5-1/2"X4-3/4")
3	68020	12-1/2" SHANK STUB
4	88507	1/2"NCx3-1/2" GR5 BOLT
5	68021	6-1/2" SHANK STUB
6	221261	10.8 MAST ANCHOR
7	89165	3/4"NCx13" GR5 BOLT
8	34132	AXLE CLAMP ASSY
9	89075	1"NC NYLON LOCK NUT
10	48890	ADJUSTMENT ROD
11	68034	PIN (1-1/4"x3-3/8")
12	42484	SPIROL PIN
13	67709	WING ADJUST ARM
14	88440	MACHINERY BUSHING (1-1/4"x1-7/8"x14 GA.)

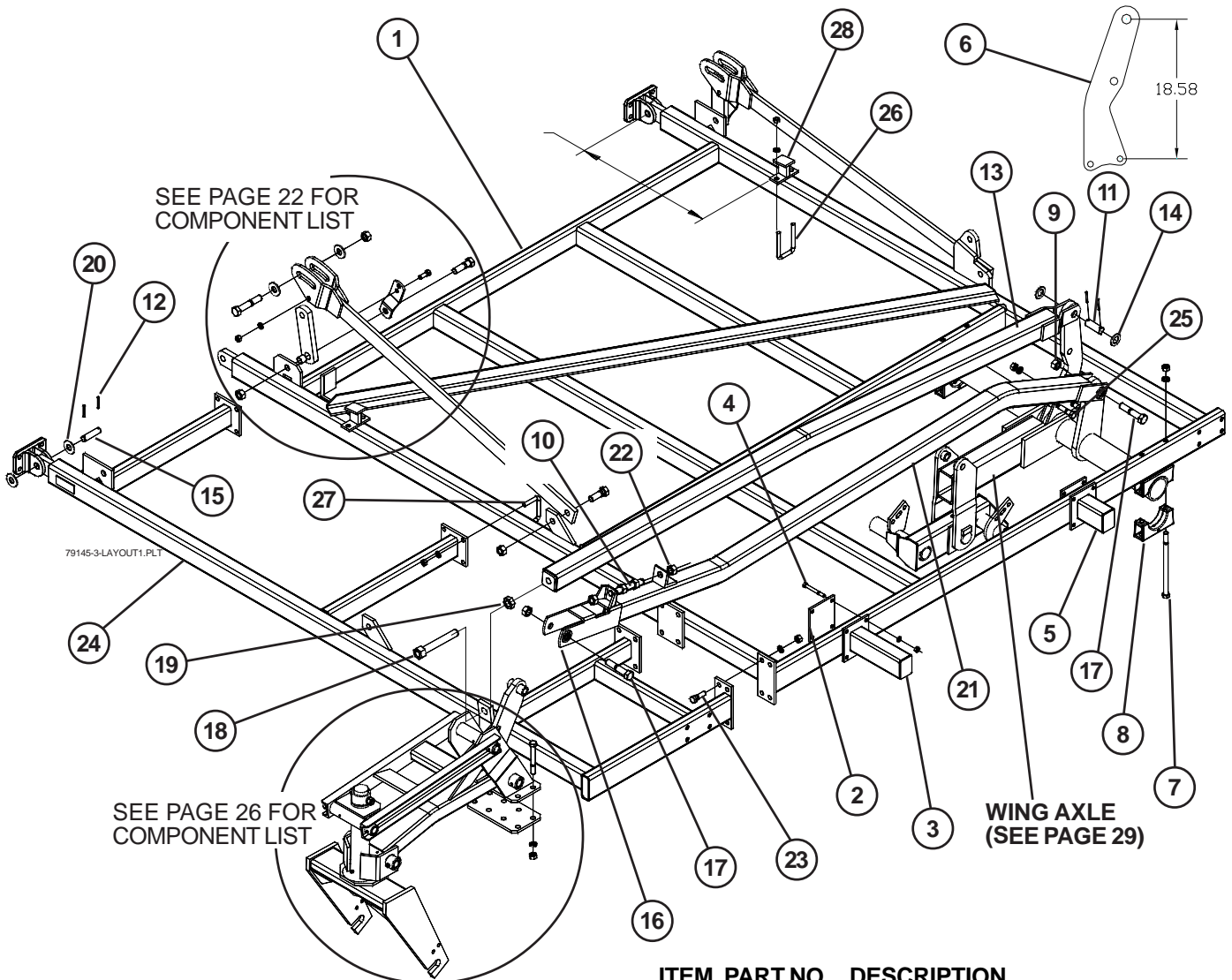
ITEM	PART NO	DESCRIPTION
15	221714	PIN 1"x3-7/8"
16	220843	GAUGE TUBE ADJUST BRACKET
17	88264	1"NCx6" GR5 BOLT
18	69799	ADJUSTER ROD (9.5)
19	88622	1-1/4"NC JAM NUT
20	88196	1" FLAT WASHER
21	221504	QUADX WING TUBE 121"
22	88125	1"NC NUT
23	88841	3/4"NC x 2-3/4" GR5 BOLT

Standard Nuts and Lock Washers

88172	1/4NC Nut	88262	1/4 Lock Washer
88103	3/8NC Nut	88362	3/8 Lock Washer
88104	1/2NC Nut	88303	1/2 Lock Washer
88126	5/8NC Nut	88129	5/8 Lock Washer
88110	3/4NC Nut	88130	3/4 Lock Washer
88371	7/8NC Nut	88341	7/8 Lock Washer

Note: Standard nuts and lock washers are not called out. Anything other than standard will be called out.

QUADX 11'8" INNER WING



ITEM	PART NO	DESCRIPTION
1	220783	11'8" WING RIGHT
	220784	11'8" WING LEFT (SHOWN)
2	65688	BOLT PLATE
3	68020	12-1/2" SHANK STUB
4	88507	1/2"NCx3-1/2" GR5 BOLT
5	68021	6-1/2" SHANK STUB
6	221261	10.8 MAST ANCHOR
7	89165	3/4"NCx13" GR5 BOLT
8	34132	AXLE CLAMP ASSY
9	89075	1"NC NYLON LOCK NUT
10	48890	ADJUSTMENT ROD
11	68034	PIN (1-1/4"x3-3/8")
12	42484	SPIROL PIN
13	67709	WING ADJUST ARM
14	88440	MACHINERY BUSHING (1-1/4"x1-7/8"x14 GA.)
15	221714	PIN 1"x3-7/8"
16	220843	GAUGE TUBE ADJUST BRKT
17	88264	1"NCx6" GR5 BOLT
18	69799	ADJUSTER ROD (9.5)

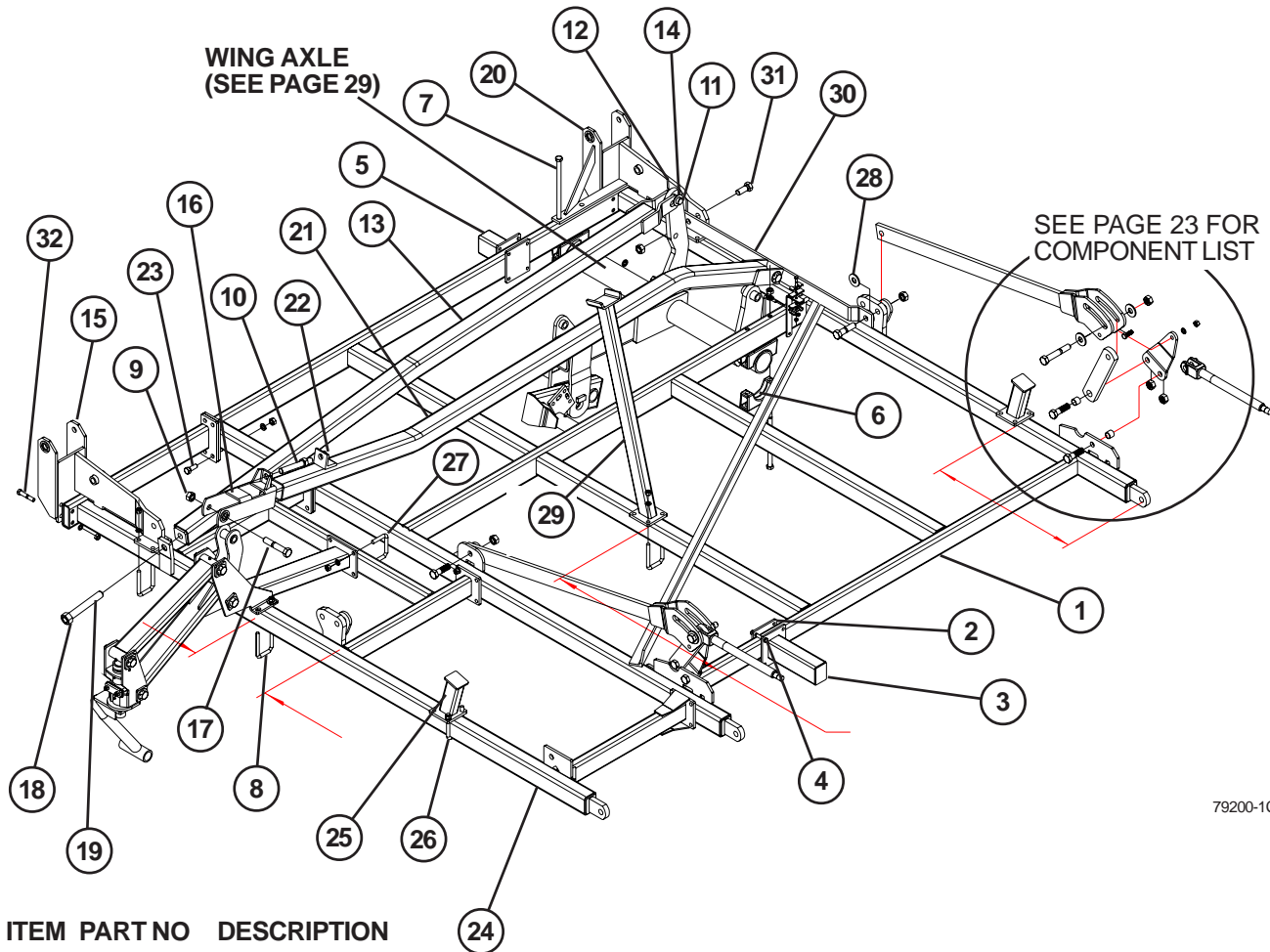
ITEM	PART NO	DESCRIPTION
19	88622	1-1/4"NC JAM NUT
20	88196	1" FLAT WASHER
21	221504	QUADX WING TUBE 121"
22	88125	1"NC NUT
23	88290	3/4"NCx2" GR8 BOLT
24	67760	11'8" FRONT WING BAR - RIGHT
	67761	11'8" FRONT WING BAR - LEFT
25	88841	3/4"NC x 2-3/4" GR5 BOLT
26	88503	5/8"NCx3"x5-1/4" U-BOLT
27	88501	5/8"NCx4"x4-1/4" U-BOLT
28	220874	(4.53") WING FOLD STUB
	220875	(3.50") WING FOLD STUB

Standard Nuts and Lock Washers

88172	1/4NC Nut	88262	1/4 Lock Washer
88103	3/8NC Nut	88362	3/8 Lock Washer
88104	1/2NC Nut	88303	1/2 Lock Washer
88126	5/8NC Nut	88129	5/8 Lock Washer
88110	3/4NC Nut	88130	3/4 Lock Washer
88371	7/8NC Nut	88341	7/8 Lock Washer

Note: Standard nuts and lock washers are not called out. Anything other than standard will be called out.

QUADX 5 SECTION 11'8" INNER WING



79200-1C

ITEM	PART NO	DESCRIPTION
1	221508	11'8" WING RIGHT
	221509	11'8" WING LEFT (SHOWN)
2	65688	BOLT PLATE
3	68020	12-1/2" SHANK STUB
4	88507	1/2"NCx3-1/2" GR5 BOLT
5	68021	6-1/2" SHANK STUB
6	34132	AXLE CLAMP ASSY
7	89165	3/4"NCx13" GR5 BOLT
8	88503	5/8"NCx3"x5-1/4" U-BOLT
9	89075	1"NC NYLON LOCK NUT
10	48890	ADJUSTMENT ROD
11	68034	PIN (1-1/4"x3-3/8")
12	42484	SPIROL PIN
13	67709	WING ADJUST ARM
14	88440	MACHINERY BUSHING (1-1/4"x1-7/8"x14 GA.)
15	221067	5SEC HINGE ASSY RH FRONT
	221068	5SEC HINGE ASSY LH FRONT
16	220843	GAUGE TUBE ADJUST BRACKET
17	88264	1"NCx6" GR5 BOLT
18	69799	ADJUSTER ROD (9.5)
19	88622	1-1/4"NC JAM NUT
20	221498	5SEC HINGE ASSY RH REAR
	221499	5SEC HINGE ASSY LH REAR
21	221504	QUADX WING TUBE 121"

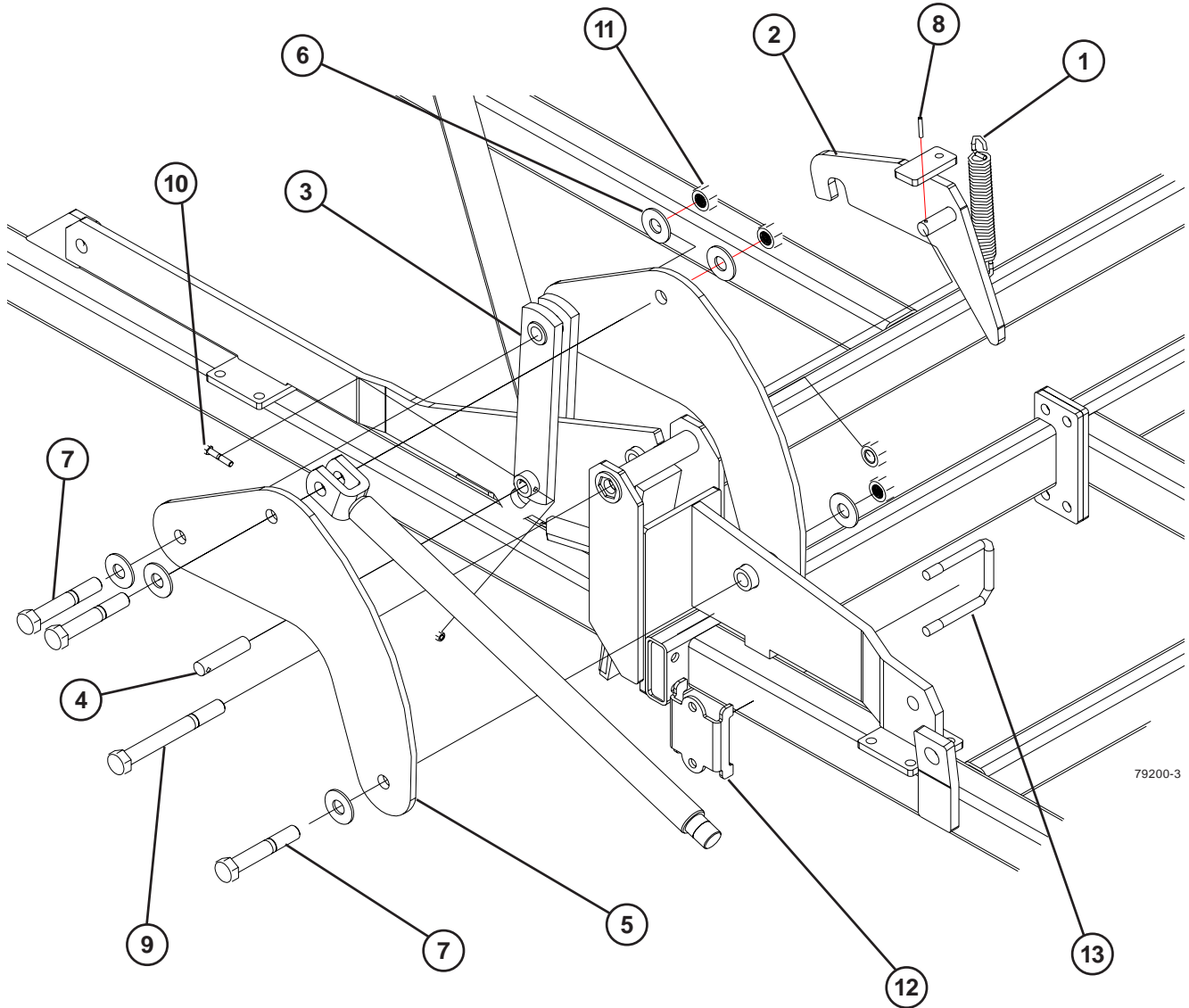
ITEM	PART NO	DESCRIPTION
22	88125	1"NC NUT
23	88290	3/4"NCx2" GR8 BOLT
24	221165	5SEC 11'8" FRONT WING BAR -RH
	221166	5SEC 11'8" FRONT WING BAR - LH
25	221358	5 SEC INNER WING STOP
26	88503	5/8"NCx3"x5-1/4" U-BOLT
27	88501	5/8"NCx4"x4-1/4" U-BOLT
28	88196	1" FLAT WASHER
29	221356	5SEC OUTER WING REST
30	221693	ANCHOR STRAP
31	88293	1"NC X 2-1/2" GR5 BOLT
32	88292	5/8"NC X 3-1/2" GR5 BOLT

Standard Nuts and Lock Washers

88172	1/4NC Nut	88262	1/4 Lock Washer
88103	3/8NC Nut	88362	3/8 Lock Washer
88104	1/2NC Nut	88303	1/2 Lock Washer
88126	5/8NC Nut	88129	5/8 Lock Washer
88110	3/4NC Nut	88130	3/4 Lock Washer
88371	7/8NC Nut	88341	7/8 Lock Washer

Note: Standard nuts and lock washers are not called out. Anything other than standard will be called out.

QUADX/EXCEL 5 SECTION OUTER WING HINGE



79200-3

ITEM	PART NO	DESCRIPTION
1	25863	SPRING(1-1/2"x9-1/2")
2	221695	5SEC OUTER WING LATCH - R
	221696	5SEC OUTER WING LATCH - L
3	221189	5SEC OUTER WING LINK
4	221692	PIN (1"ODx4-1/4")
5	221190	WING ARM
6	88196	1" FLAT WASHER
7	88264	1"NCx6" GR5 BOLT
8	42484	1/4"x2-1/4" SPIROL PIN
9	88901	1"NCx9-1/2" GR5 BOLT
10	89011	3/8"NCx2" GR5 BOLT
11	89075	1" NYLON LOCK NUT
12	236400	SHANK SPACER
13	45633	5/8"NCX4"X5-1/2" U-BOLT

Standard Nuts and Lock Washers

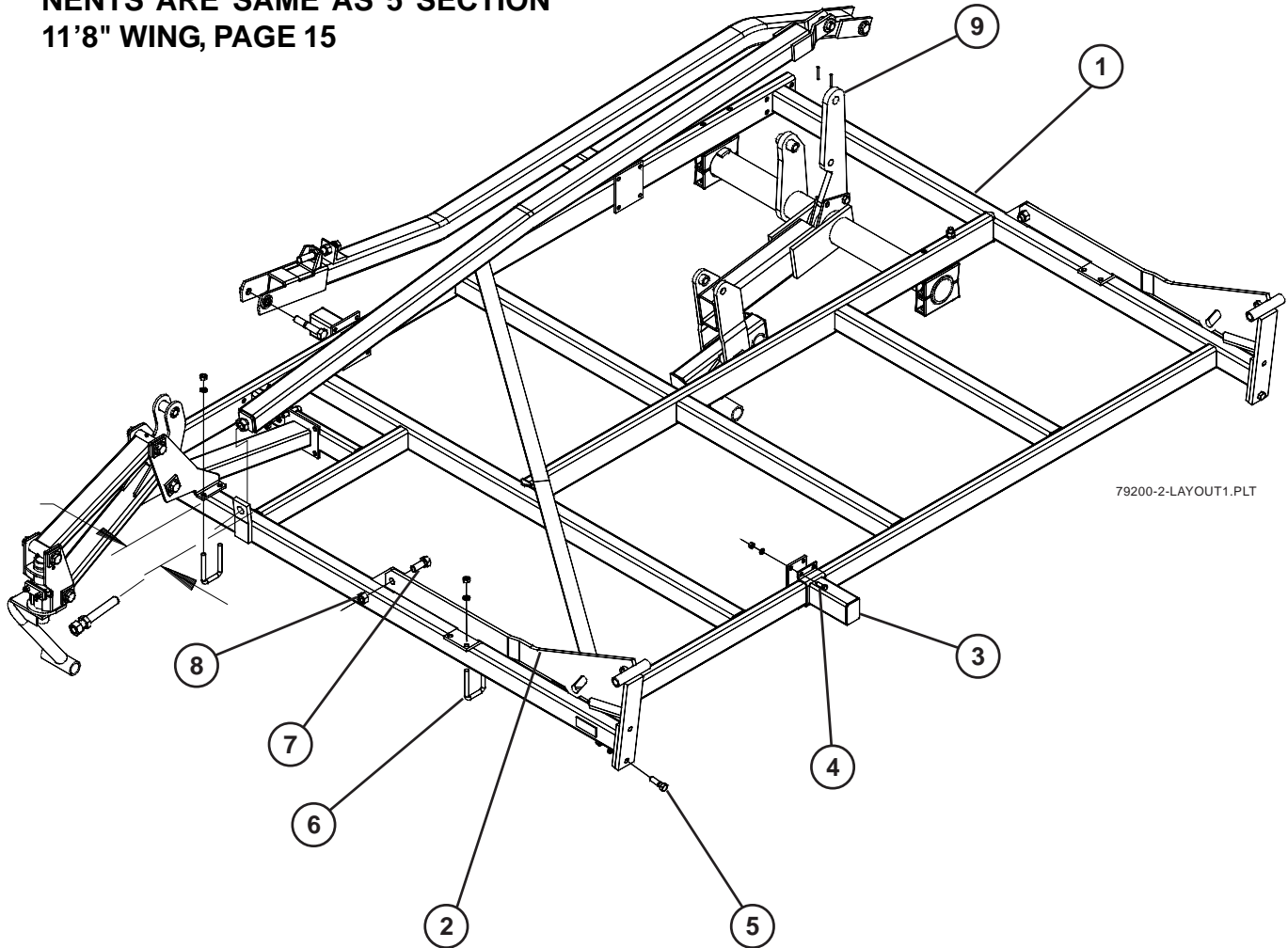
88172	1/4NC Nut	88262	1/4 Lock Washer
88103	3/8NC Nut	88362	3/8 Lock Washer
88104	1/2NC Nut	88303	1/2 Lock Washer
88126	5/8NC Nut	88129	5/8 Lock Washer
88110	3/4NC Nut	88130	3/4 Lock Washer
88371	7/8NC Nut	88341	7/8 Lock Washer

Note: Standard nuts and lock washers are not called out. Anything other than standard will be called out.

QUADX/EXCEL 7' OR 9'4" OUTER WING

(RIGHT 9'4" SHOWN)

GAUGEWHEEL & AXLE COMPONENTS ARE SAME AS 5 SECTION 11'8" WING, PAGE 15



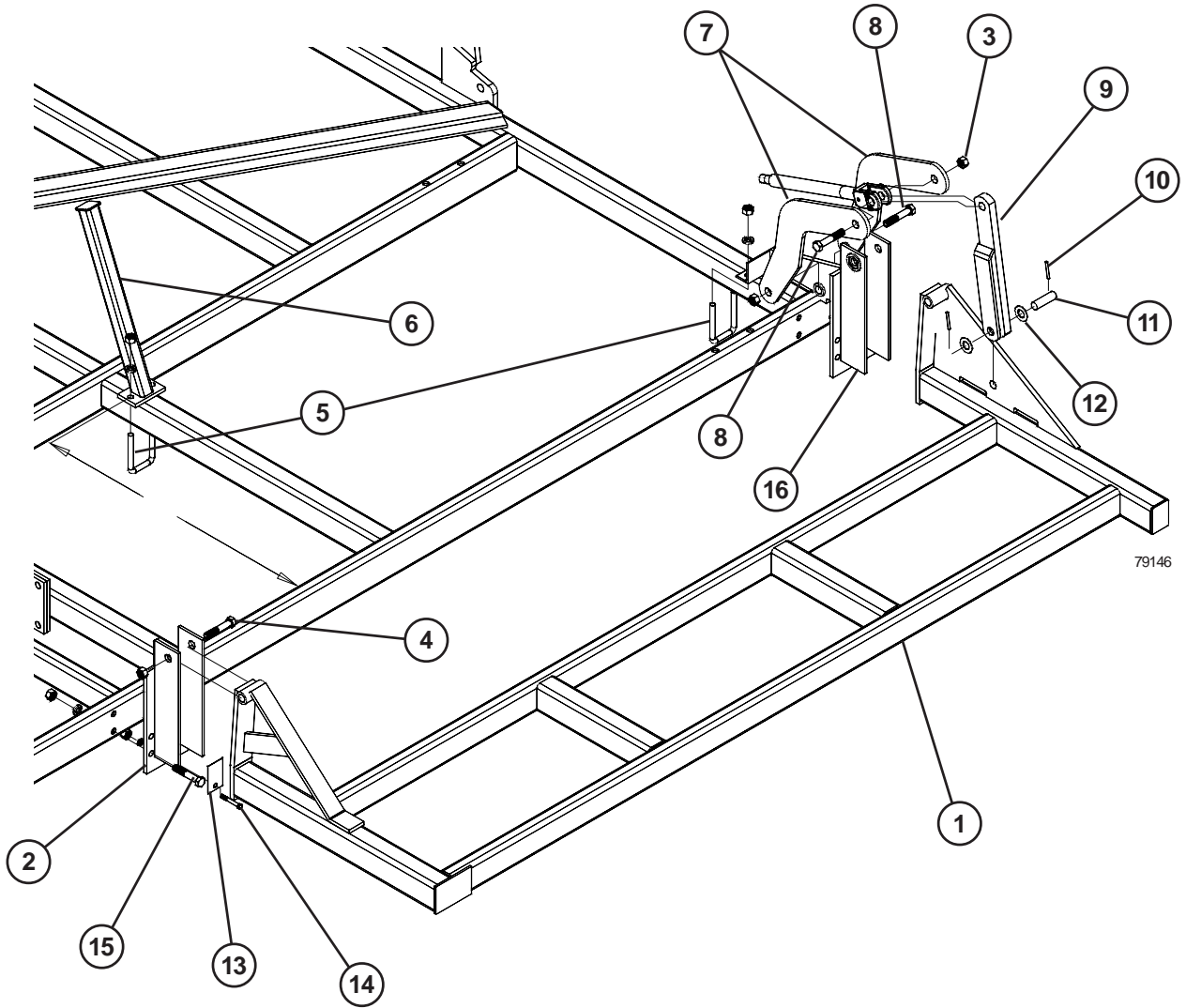
ITEM	PART NO	DESCRIPTION
1	222851	7' WING RIGHT
	222850	7' WING LEFT
	222853	9'4" WING RIGHT (SHOWN)
	222852	9'4" WING LEFT
2	222848	5SEC XL/QX OUTER HINGE - L
	222849	5SEC XL/QX OUTER HINGE - R
3	68020	12-1/2" SHANK STUB
4	88507	1/2"NCx3-1/2" GR5 BOLT
5	88404	3/4"NCx2-1/2" GR5 BOLT
6	88503	5/8"NCx3"x5-1/4" U-BOLT
7	88393	1"NCx2-1/2" GR5 BOLT
8	89075	1"NC NYLON LOCK NUT
9	221260	9.3" MAST ANCHOR

Standard Nuts and Lock Washers

88172	1/4NC Nut	88262	1/4 Lock Washer
88103	3/8NC Nut	88362	3/8 Lock Washer
88104	1/2NC Nut	88303	1/2 Lock Washer
88126	5/8NC Nut	88129	5/8 Lock Washer
88110	3/4NC Nut	88130	3/4 Lock Washer
88371	7/8NC Nut	88341	7/8 Lock Washer

Note: Standard nuts and lock washers are not called out. Anything other than standard will be called out.

3' OUTER WING



ITEM	PART NO	DESCRIPTION
1	67924	3' OUTER WING - RIGHT
	67925	3' OUTER WING - LEFT
2	67932	WING HINGE
3	89075	1"NC NYLON TOPLOCK NUT
4	88264	1"NCx6" GR5 BOLT
5	88503	5/8"NCx3"x5-1/4" U-BOLT
6	68066	OUTER WING REST
7	67934	PLATE
8	88312	1"NCx5" GR5 BOLT
9	67903	LINKAGE ARM

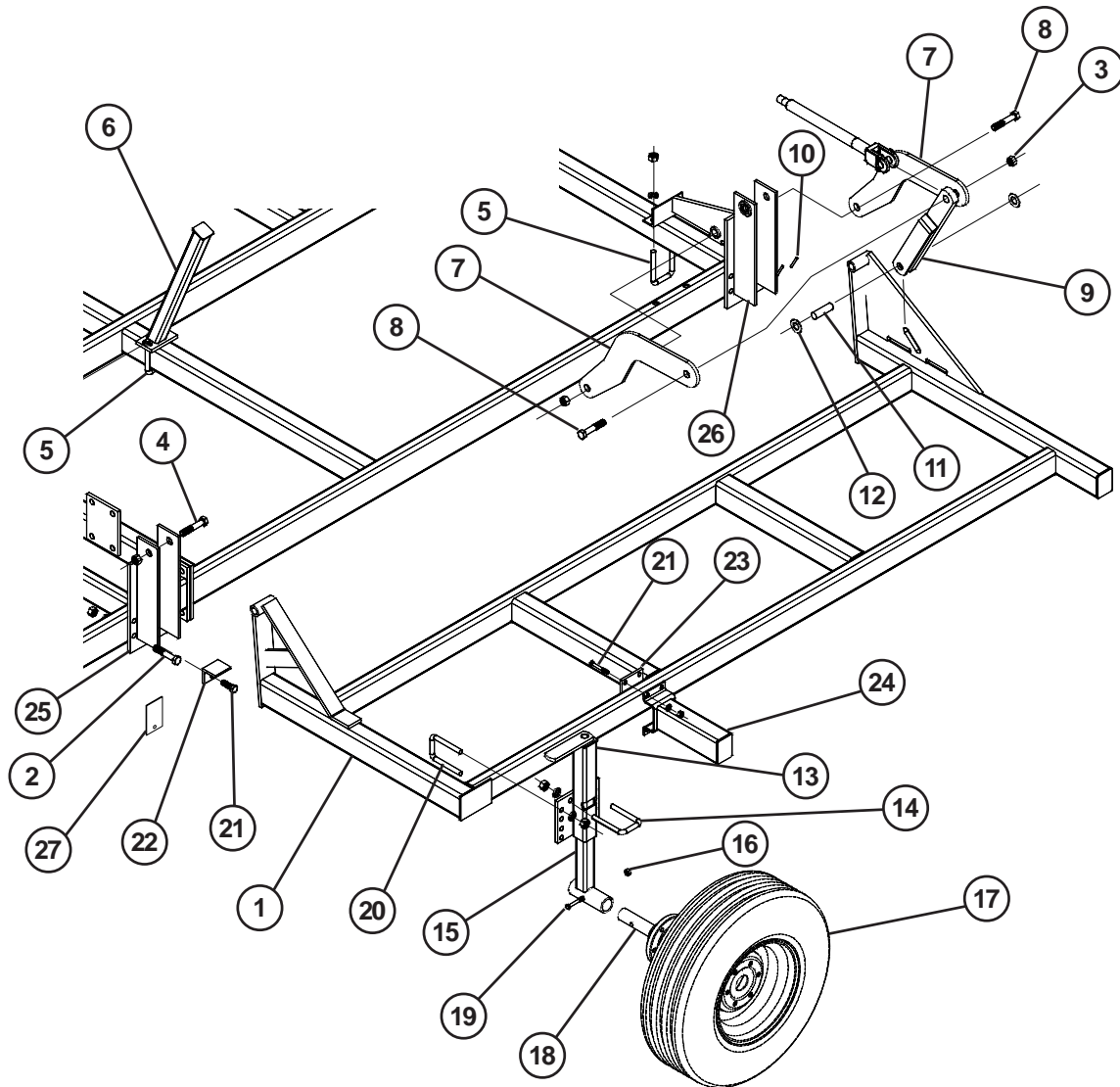
ITEM	PART NO	DESCRIPTION
10	42484	SPIROL PIN
11	42473	PIN (1"x3-1/4")
12	88196	1" FLAT WASHER
13	51469	SHIM
14	88475	1/2"NCx1-1/2" GR5 BOLT
15	88292	5/8"NCx3-1/2" GR5 BOLT
16	68023	WING HINGE RIGHT
	68024	WING HINGE LEFT (SHOWN)

Standard Nuts and Lock Washers

88172	1/4NC Nut	88262	1/4 Lock Washer
88103	3/8NC Nut	88362	3/8 Lock Washer
88104	1/2NC Nut	88303	1/2 Lock Washer
88126	5/8NC Nut	88129	5/8 Lock Washer
88110	3/4NC Nut	88130	3/4 Lock Washer
88371	7/8NC Nut	88341	7/8 Lock Washer

Note: Standard nuts and lock washers are not called out. Anything other than standard will be called out.

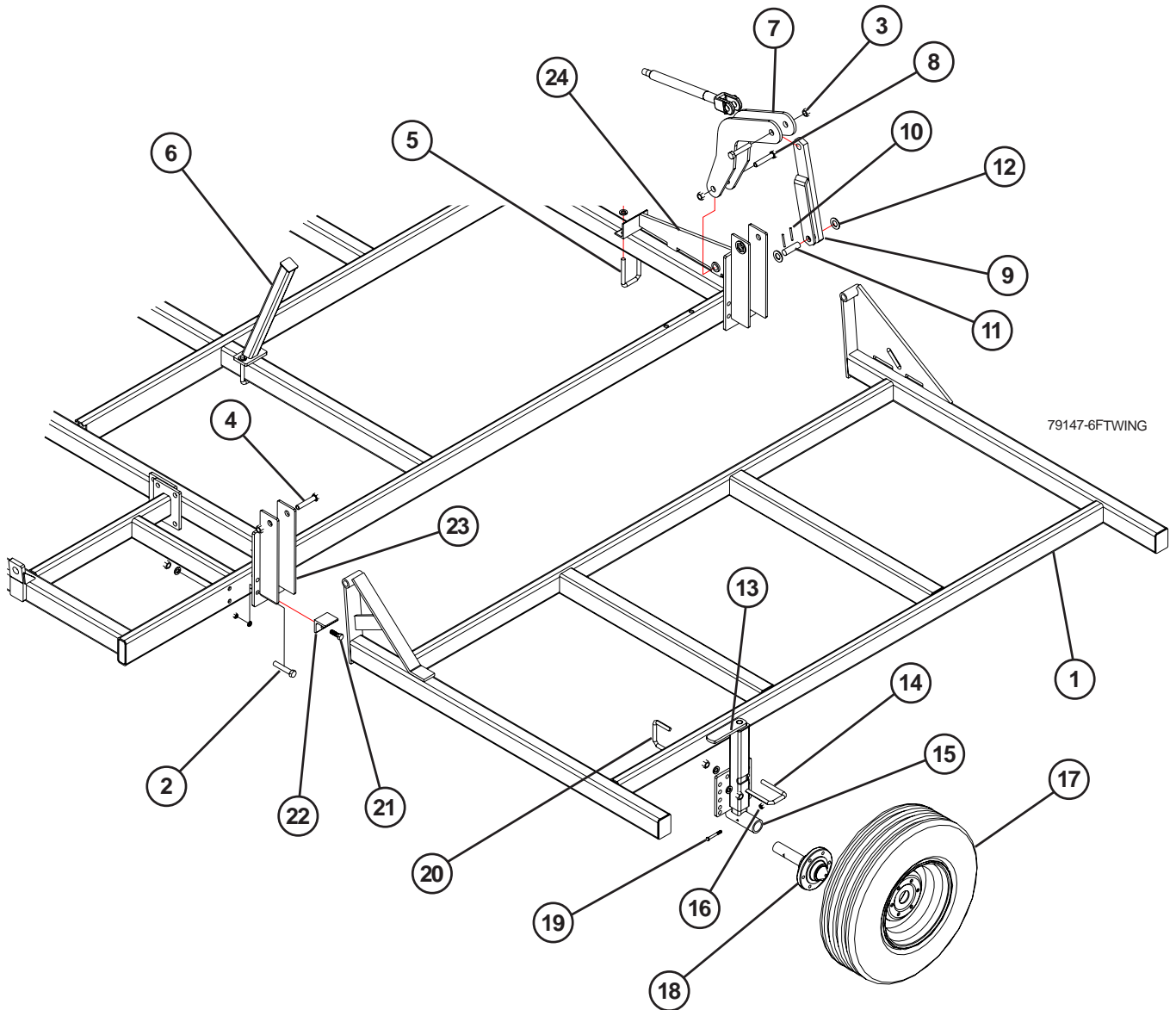
5' FLOATING OUTER WING W/GAUGE WHEEL



79147-LAYOUT1

ITEM	PART NO	DESCRIPTION	ITEM	PART NO	DESCRIPTION
1	67919	5' OUTER WING - RIGHT	17	16290	95Lx15 6 BLT 8PLY WHL ASSY
	67920	5' OUTER WING - LEFT		10498	15x8 WHEEL RIM
2	88292	5/8"NCx3-1/2" GR5 BOLT		16287	95Lx15 8PLY TUBELESS TIRE
3	89075	1"NC NYLON TOPLOCK NUT		30784	VALVE STEM
4	88264	1"NCx6" GR5 BOLT	18	41233	1-3/4" HUB & SPINDLE
5	88503	5/8"NCx3"x5-1/4" U-BOLT	19	88313	1/2"NFx3" GR5 BOLT
6	68066	OUTER WING REST	20	88388	5/8"NCx4"x3-1/4" U-BOLT
7	67934	PLATE	21	88475	1/2"NCx1-1/2" GR5 BOLT
8	88312	1"NCx5" GR5 BOLT	22	222156	WING STOP FOLD
9	67903	LINKAGE ARM	23	26817	BACKING PLATE
10	42484	SPIROL PIN	24	49025	12" SADDLE STUB
11	42473	PIN (1"x3-1/4")	25	67932	WING HINGE
12	88196	1" FLAT WASHER	26	68023	WING HINGE RIGHT
13	15485	TOP ADJUSTMENT ASSEMBLY		68024	WING HINGE LEFT (SHOWN)
14	88311	5/8"NCx2-1/2"x3-3/4" U-BOLT	27	51469	SHIM
15	15475	GAUGE WHEEL LEG			
16	88304	1/2"NF LOCK NUT			

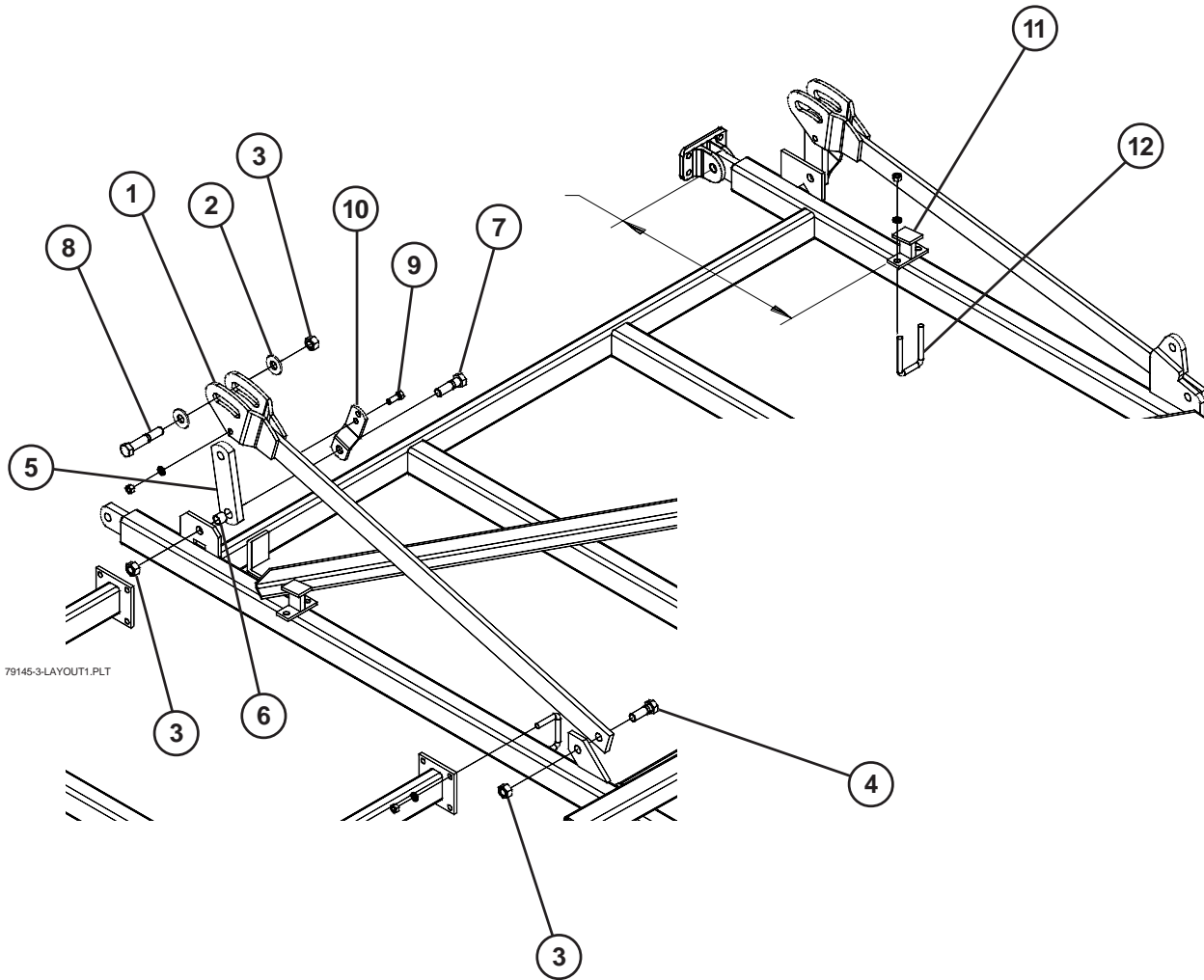
6' FLOATING OUTER WING W/GAUGE WHEEL



ITEM	PART NO	DESCRIPTION
1	233755	6' OUTER WING - RIGHT
	233753	6' OUTER WING - LEFT
2	88292	5/8"NCx3-1/2" GR5 BOLT
3	89075	1"NC NYLON TOPLOCK NUT
4	88264	1"NCx6" GR5 BOLT
5	88503	5/8"NCx3"x5-1/4" U-BOLT
6	68066	OUTER WING REST
7	67934	PLATE
8	88312	1"NCx5" GR5 BOLT
9	67903	LINKAGE ARM
10	42484	SPIROL PIN
11	42473	PIN (1"x3-1/4")
12	88196	1" FLAT WASHER
13	15485	TOP ADJUSTMENT ASSEMBLY
14	88311	5/8"NCx2-1/2"x3-3/4" U-BOLT
15	15475	GAUGE WHEEL LEG
16	88304	1/2"NF LOCK NUT

ITEM	PART NO	DESCRIPTION
17	16290	95Lx15 6 BLT 8PLY WHL ASSY
	10498	15x8 WHEEL RIM
	16287	95Lx15 8PLY TUBELESS TIRE
	30784	VALVE STEM
18	41233	1-3/4" HUB & SPINDLE
19	88313	1/2"NFx3" GR5 BOLT
20	88388	5/8"NCx4"x3-1/4" U-BOLT
21	88475	1/2"NCx1-1/2" GR5 BOLT
22	222156	WING STOP FOLD
23	67932	WING HINGE
24	68023	WING HINGE RIGHT
	68024	WING HINGE LEFT (SHOWN)

WING LIFT COMPONENTS



ITEM	PART NO	DESCRIPTION
1	220870	LIFT LINK ARM(7' & 9'4" WING) - SHORT
	222082	LIFT LINK ARM - LONG(11'8" WING)
2	88196	1" FLAT WASHER
3	89075	1"NC NYLON TOPLOCK NUT
4	88393	1"NCx2-1/2" GR5 BOLT
5	48522	WING LIFT LINK 8" C TO C"
	220867	WING LIFT LINK 9.31" C TO C"
6	48523	WING LIFT BUSHING (1.032"ID x 1-1/4" OD x 1.06")
7	88447	1"NCx3-1/2" GR5 BOLT

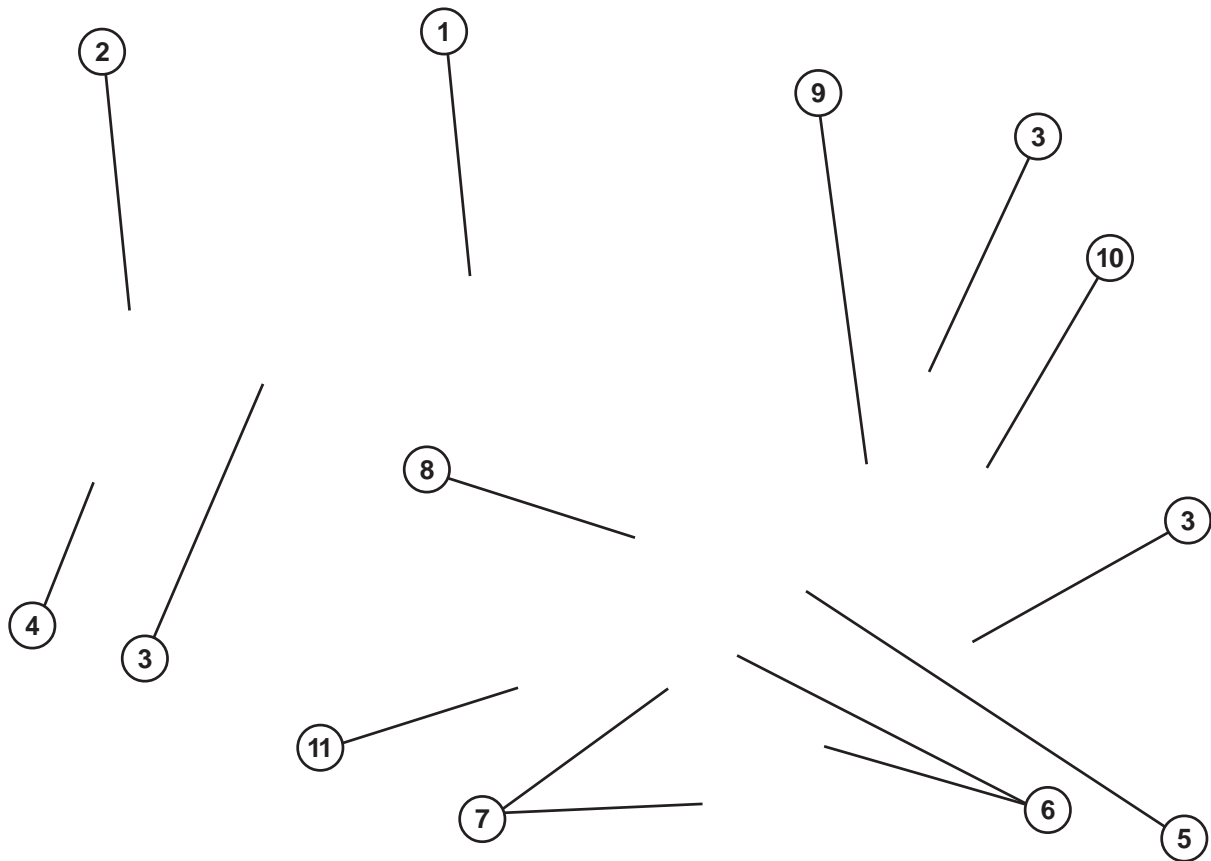
ITEM	PART NO	DESCRIPTION
8	88264	1"NCx6" GR5 BOLT
9	88838	5/8"NCx1-3/4" GR5 BOLT
10	220871	WING LINK STRAP
11	220874	(4.53") WING FOLD STUB
	220875	(3.50") WING FOLD STUB
12	88503	5/8"NCx3"x5-1/4" U-BOLT

Standard Nuts and Lock Washers

88172	1/4NC Nut	88262	1/4 Lock Washer
88103	3/8NC Nut	88362	3/8 Lock Washer
88104	1/2NC Nut	88303	1/2 Lock Washer
88126	5/8NC Nut	88129	5/8 Lock Washer
88110	3/4NC Nut	88130	3/4 Lock Washer
88371	7/8NC Nut	88341	7/8 Lock Washer

Note: Standard nuts and lock washers are not called out. Anything other than standard will be called out.

5 SECTION INNER WING HINGE



79200-1C

ITEM	PART NO	DESCRIPTION
1	221329	LIFT LINK ARM (5 SECTION)
2	88196	1" FLAT WASHER
3	89075	1"NC NYLON TOPLOCK NUT
4	88580	1"NCx4-1/2" GR5 BOLT
5	221267	WING LIFT LINK (5 SECTION)
6	48523	WING LIFT BUSHING (1.032"ID x 1-1/4" OD x 1.06")
7	88447	1"NCx3-1/2" GR5 BOLT

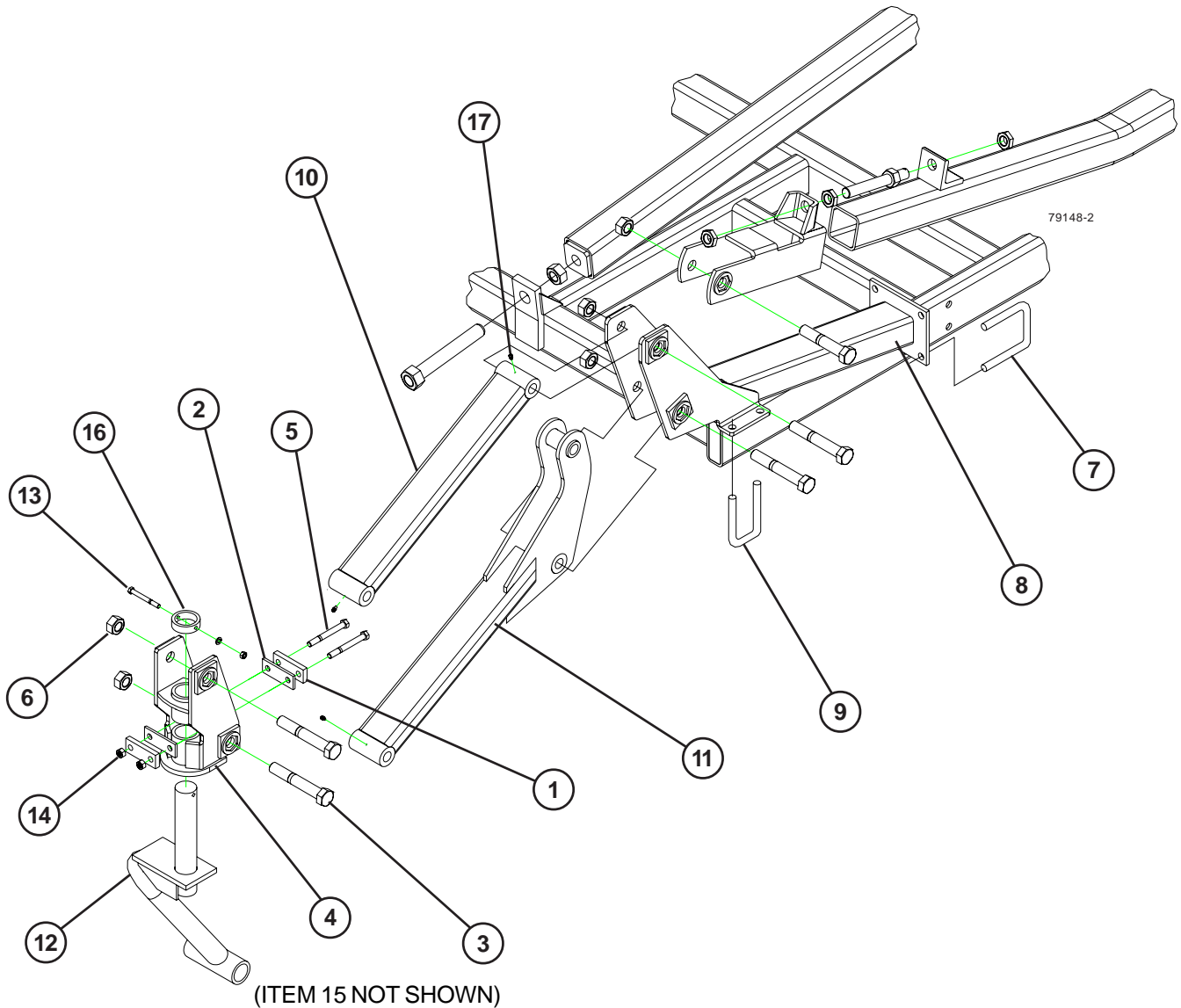
ITEM	PART NO	DESCRIPTION
8	88264	1"NCx6" GR5 BOLT
9	88838	5/8"NCx1-3/4" GR5 BOLT
10	221269	WING LINK STRAP (5 SECTION)
11	221358	INNER WING FOLD STOP (5 SECTION)

Standard Nuts and Lock Washers

88172	1/4NC Nut	88262	1/4 Lock Washer
88103	3/8NC Nut	88362	3/8 Lock Washer
88104	1/2NC Nut	88303	1/2 Lock Washer
88126	5/8NC Nut	88129	5/8 Lock Washer
88110	3/4NC Nut	88130	3/4 Lock Washer
88371	7/8NC Nut	88341	7/8 Lock Washer

Note: Standard nuts and lock washers are not called out. Anything other than standard will be called out.

PARALLEL LINK GAUGE WHEEL



ITEM	PART NO	DESCRIPTION
1	67791	DAMPER PLATE
2	67790	DAMPER PAD
3	221336	1"NCx6-5/8" GR5 BOLT
4	220850	GAUGE WHEEL PIVOT BRACKET
5	88382	1/2"NCx4-1/2" GR5 BOLT
6	89075	1"NC NYLON TOPLOCK NUT
7	88388	5/8"NCx4"x3-1/4" U-BOLT
8	220853	GAUGE WHEEL MOUNT
9	88503	5/8"NCx3"x5-1/4" U-BOLT
10	221100	UPPER GAUGE WHEEL ARM
11	222961	LOWER GAUGE WHEEL ARM
12	240360	CASTER WHEEL LEG

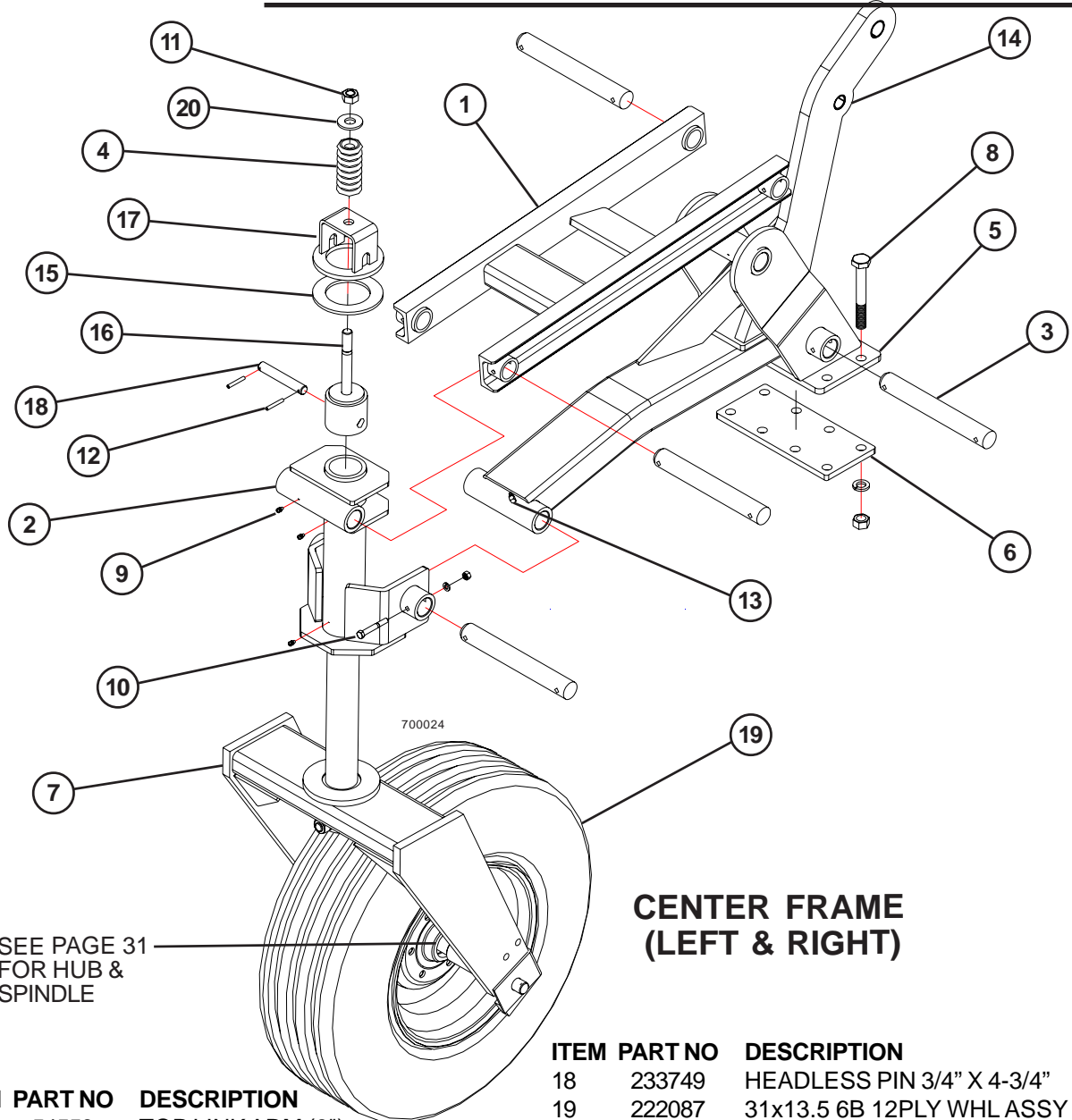
ITEM	PART NO	DESCRIPTION
13	88531	3/8"NCx3" GR5 BOLT
14	88363	1/2"NC LOCK NUT
15	16290	95Lx15 WHEEL ASSY 6B 8PLY
	10498	15x8 RIM 6 BOLT
	16287	95Lx15 TUBELESS TIRE 8PLY
	30784	VALVE STEM ASSY TR415
16	14189	STOP COLLAR
17	88550	1/4" GREASE FITTING

Standard Nuts and Lock Washers

88172	1/4NC Nut	88262	1/4 Lock Washer
88103	3/8NC Nut	88362	3/8 Lock Washer
88104	1/2NC Nut	88303	1/2 Lock Washer
88126	5/8NC Nut	88129	5/8 Lock Washer
88110	3/4NC Nut	88130	3/4 Lock Washer
88371	7/8NC Nut	88341	7/8 Lock Washer

Note: Standard nuts and lock washers are not called out. Anything other than standard will be called out.

QUADX PARALLEL LINK GAUGE WHEEL



SEE PAGE 31
FOR HUB &
SPINDLE

CENTER FRAME (LEFT & RIGHT)

ITEM	PART NO	DESCRIPTION
1	54559	TOP LINK ARM (8")
2	54571	GAUGE WHEEL PIVOT
3	54595	HEADLESS PIN 1-1/2"X9-19/32"
4	54834	4-1/2" COMPRESSION SPRING
5	55659	GAUGE WHEEL MAST
6	55688	LOWER MAST PLATE
7	58203	YOKE (18")
8	88293	3/4"NCx6" GR5 BOLT
9	88550	1/4"NF GREASE FITTING
10	88582	3/8"NCx2-3/4" GR5 BOLT
11	88611	3/4"NC NYLON TOPLOCK NUT
12	88628	ROLL PIN 1/4" X 1-3/4"
13	88778	1/4"NF 45° GREASE FITTING
14	233740	CENTER LIFT ARM - RIGHT
	233741	CENTER LIFT ARM - LEFT
15	233742	DAMPER BRAKE PAD
16	233746	DAMPER CAP
17	233748	TOP DAMPER BRACKET

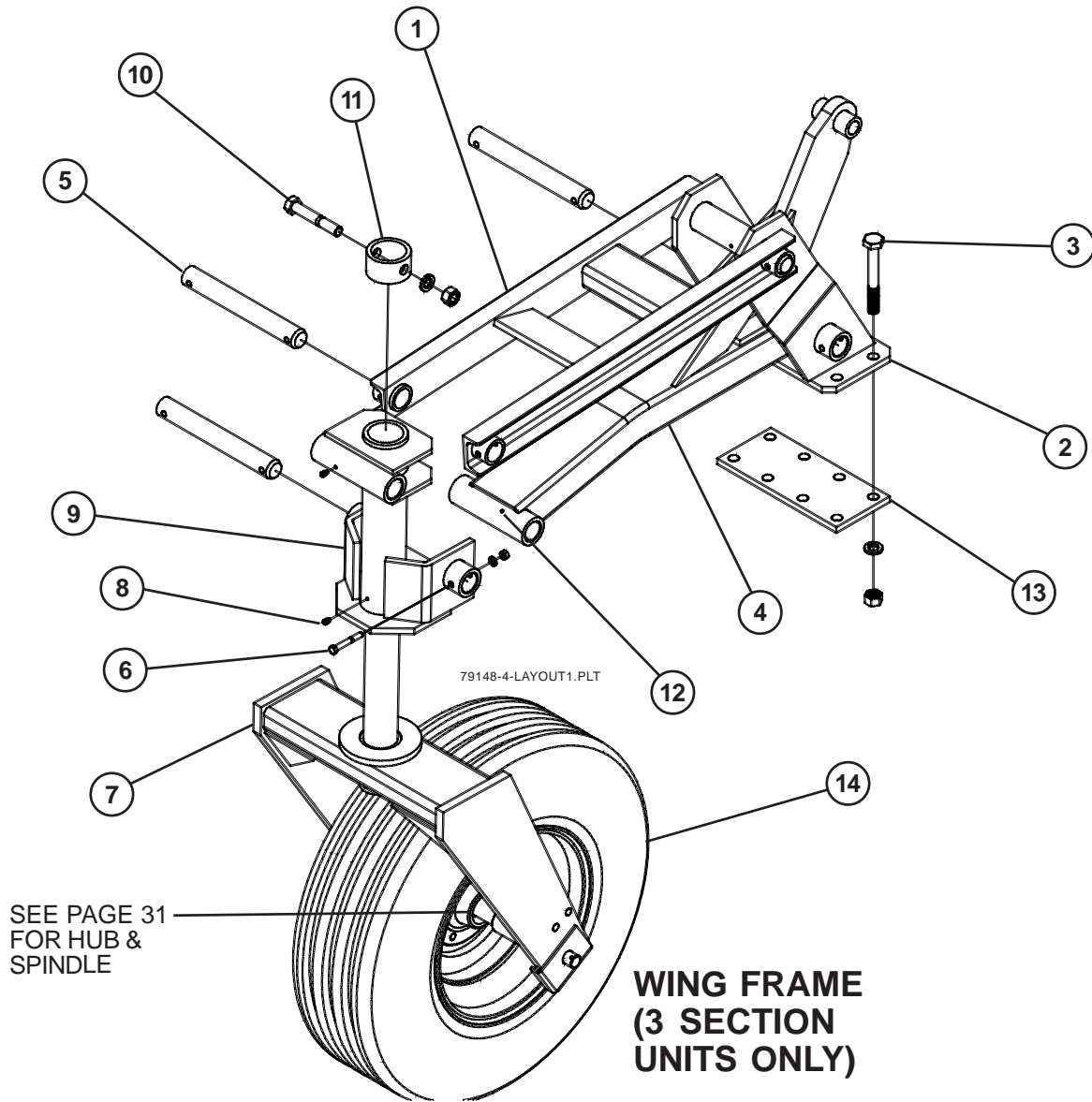
ITEM	PART NO	DESCRIPTION
18	233749	HEADLESS PIN 3/4" X 4-3/4"
19	222087	31x13.5 6B 12PLY WHL ASSY
	46714	15x10 6B WHEEL RIM
	222088	31x13.5 12PLY TUBELESS TIRE
	57908	VALVE STEM ASSEMBLY
20	88131	3/4" FLAT WASHER

Standard Nuts and Lock Washers

88172	1/4NC Nut	88262	1/4 Lock Washer
88103	3/8NC Nut	88362	3/8 Lock Washer
88104	1/2NC Nut	88303	1/2 Lock Washer
88126	5/8NC Nut	88129	5/8 Lock Washer
88110	3/4NC Nut	88130	3/4 Lock Washer
88371	7/8NC Nut	88341	7/8 Lock Washer

Note: Standard nuts and lock washers are not called out. Anything other than standard will be called out.

QUADX PARALLEL LINK GAUGE WHEEL



ITEM	PART NO	DESCRIPTION
1	54559	TOP LINK ARM (8")
2	55659	GAUGE WHEEL MAST
3	88293	3/4"NCx6" GR5 BOLT
4	221502	LOWER OUTER GAUGE ARM
5	54595	PIVOT PIN
6	88582	3/8"NCx2-3/4" GR5 BOLT
7	58203	YOKE (18")
8	88550	1/4"NF GREASE FITTING
9	54571	GAUGE WHEEL PIVOT
10	88272	3/4"NCx4" GR5 BOLT
11	16009	COLLAR
12	88778	1/4"NF 45° GREASE FITTING
13	222353	LOWER MAST PLATE

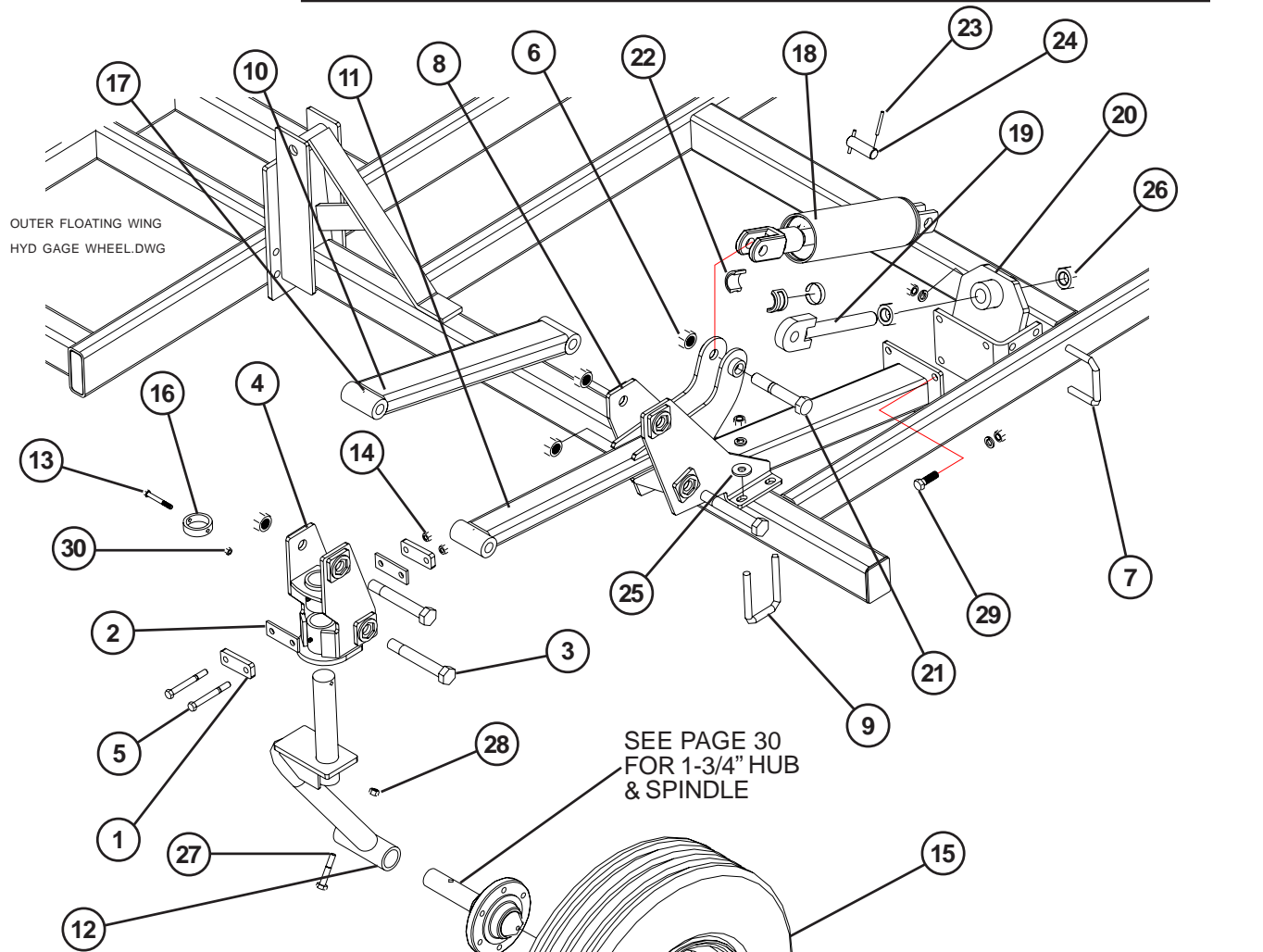
ITEM	PART NO	DESCRIPTION
14	222087	31x13.5 6B 12PLY WHL ASSY
	46714	15x10 6B WHEEL RIM
	222088	31x13.5 12PLY TUBELESS TIRE
	57908	VALVE STEM ASSEMBLY

Standard Nuts and Lock Washers

88172	1/4NC Nut	88262	1/4 Lock Washer
88103	3/8NC Nut	88362	3/8 Lock Washer
88104	1/2NC Nut	88303	1/2 Lock Washer
88126	5/8NC Nut	88129	5/8 Lock Washer
88110	3/4NC Nut	88130	3/4 Lock Washer
88371	7/8NC Nut	88341	7/8 Lock Washer

Note: Standard nuts and lock washers are not called out. Anything other than standard will be called out.

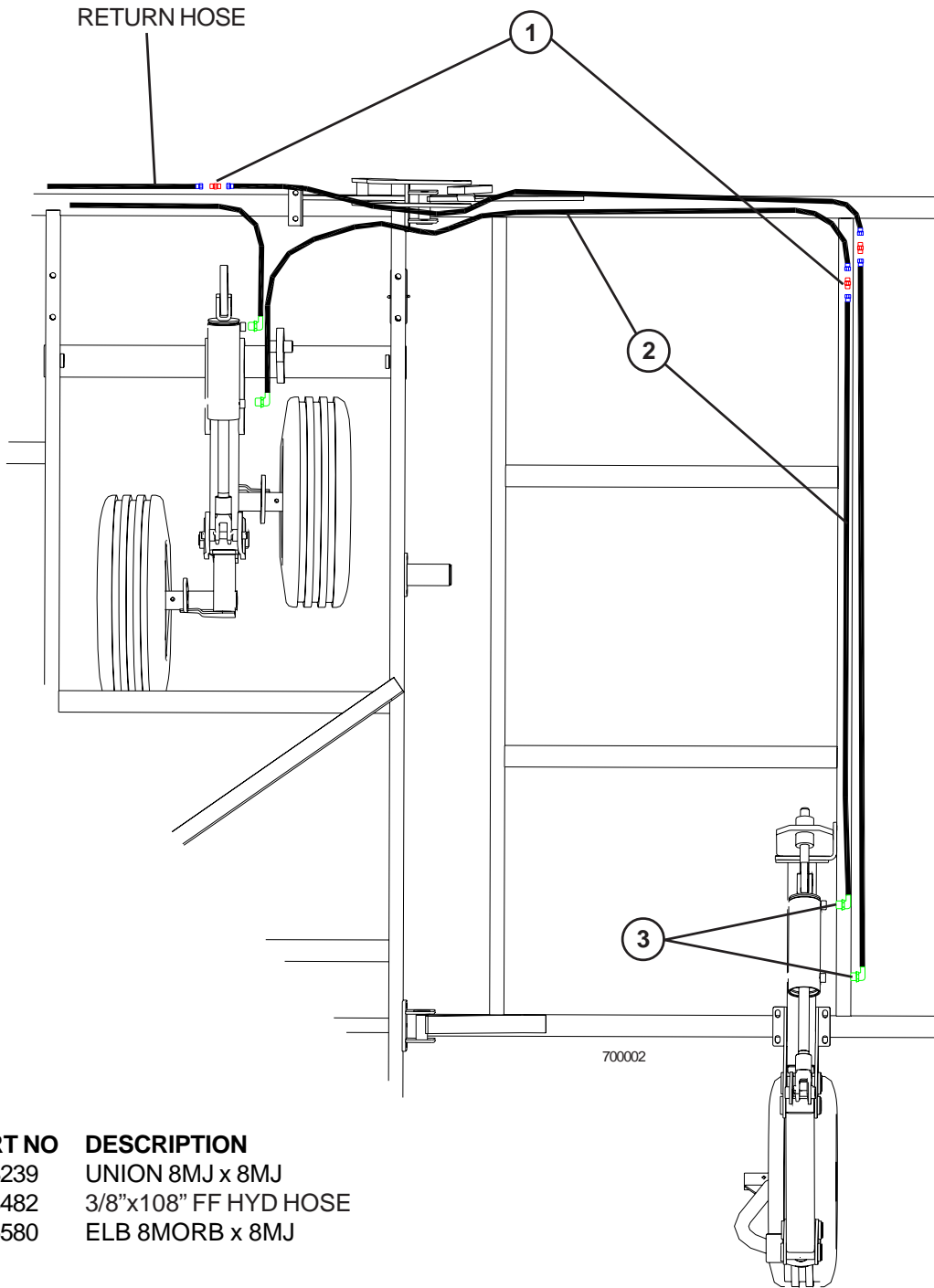
OUTER WING HYDRAULIC GAUGE WHEEL



ITEM	PART NO	DESCRIPTION
1	67791	DAMPER PLATE
2	67790	DAMPER PAD
3	221336	1"NCx6-5/8" GR5 BOLT
4	220850	GAUGE WHL PIVOT BRKT
5	88382	1/2"NCx4-1/2" GR5 BOLT
6	89075	1"NC NYLON TOPLOCK NUT
7	88388	5/8"NCx4"x3-1/4" U-BOLT
8	220853	GAUGE WHEEL MOUNT
9	88503	5/8"NCx3"x5-1/4" U-BOLT
10	221100	UPPER GAUGE WHEEL ARM
11	222961	LOWER GAUGE WHEEL ARM
12	240360	CASTER WHEEL LEG
13	88531	3/8"NCx3" GR5 BOLT
14	88363	1/2"NC LOCK NUT
15	16290	95Lx15 WHEEL ASSY 6B 8PLY
	10498	15x8 RIM 6 BOLT
	16287	95Lx15 TUBELESS TIRE 8PLY
	30784	VALVE STEM ASSY TR415
16	14189	STOP COLLAR
17	88550	1/4" GREASE FITTING
18	220761F1	HYD CYLINDER 4x9.3 W/TOP BP
	239904	SEAL KIT
19	54621	ADJUST ROD

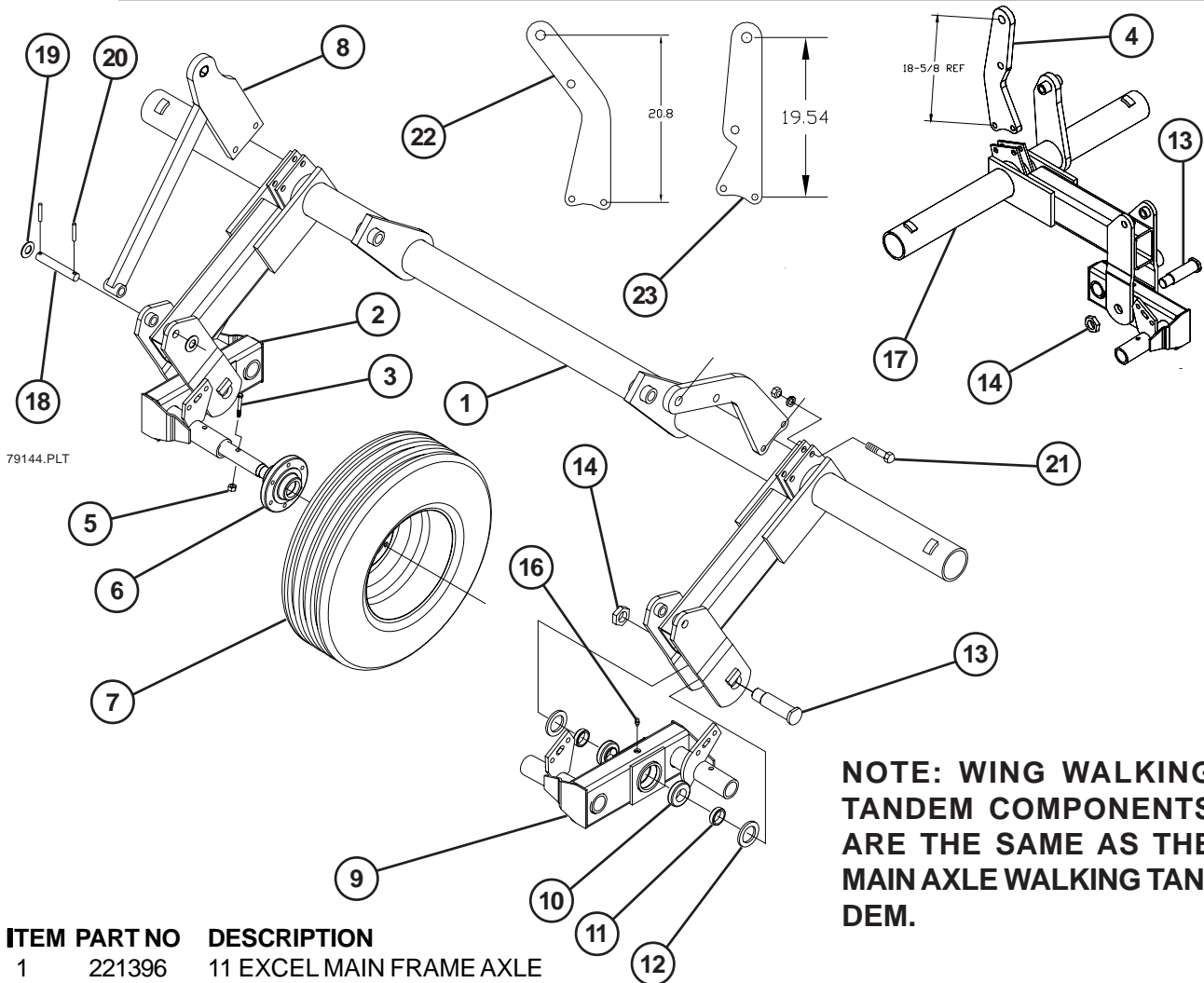
ITEM	PART NO	DESCRIPTION
20	235271	OUTER WING ANCHOR-RH
	235247	OUTER WING ANCHOR-LH(SHOWN)
21	88264	1"NCx6" GR5 BOLT
22	15113	1-1/2" STOP COLLAR
23	42484	1/4"x2-1/4" ROLL PIN
24	42473	1"x2-3/8" HEADLESS PIN
25	88277	5/8" FLAT WASHER
26	88622	1-1/4"NC JAM NUT
27	88313	1/2"NFx3" GR5 BOLT
28	88304	1/2"NF NUT
29	88294	5/8"NCx2" GR5 BOLT
30	88162	3/8"NC LOCK NUT

HYDRAULICS-OUTER GAUGE WHEEL



ITEM	PART NO	DESCRIPTION
1	13239	UNION 8MJ x 8MJ
2	13482	3/8"x108" FF HYD HOSE
3	25580	ELB 8MORB x 8MJ

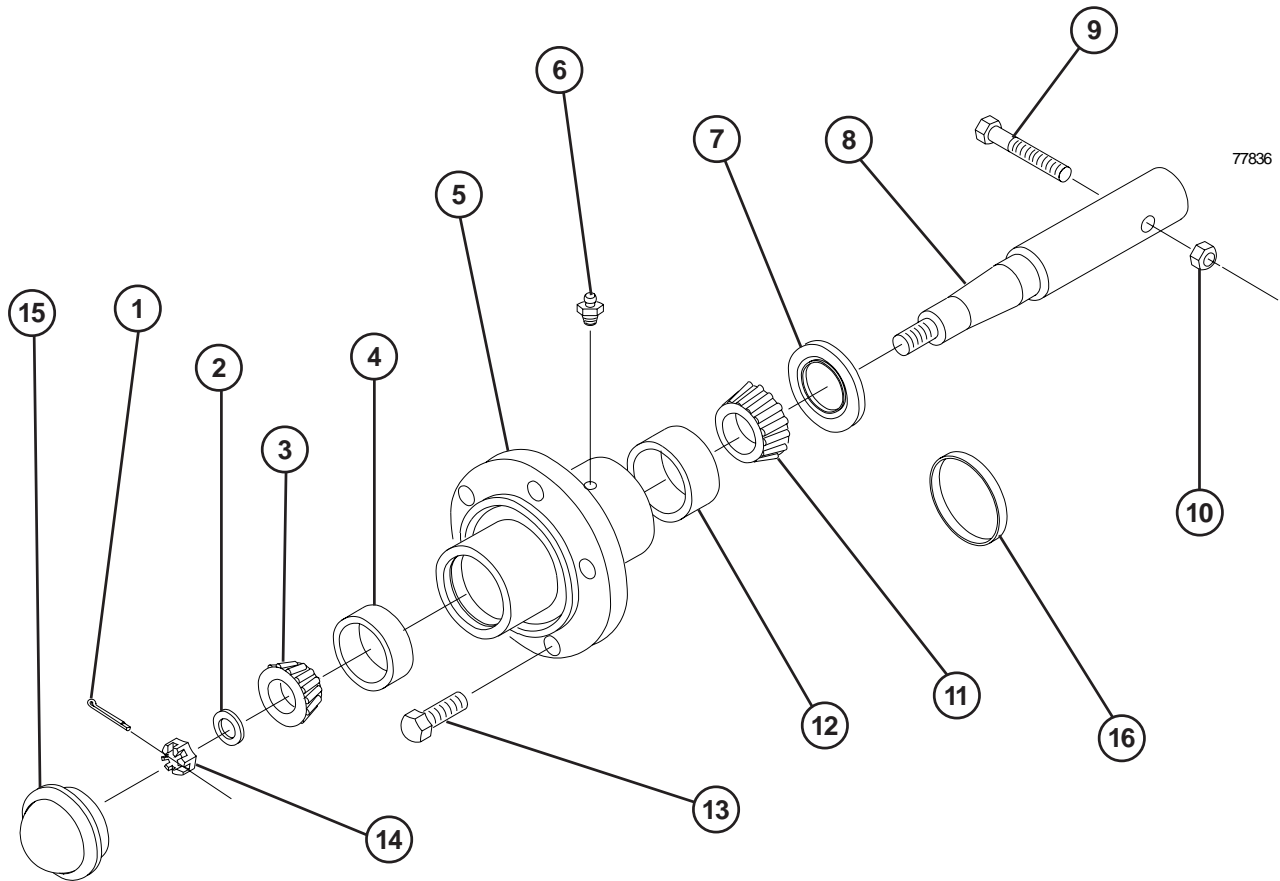
QUADX & EXCEL MAIN AXLE & WALKING TANDEM



NOTE: WING WALKING TANDEM COMPONENTS ARE THE SAME AS THE MAIN AXLE WALKING TANDEM.

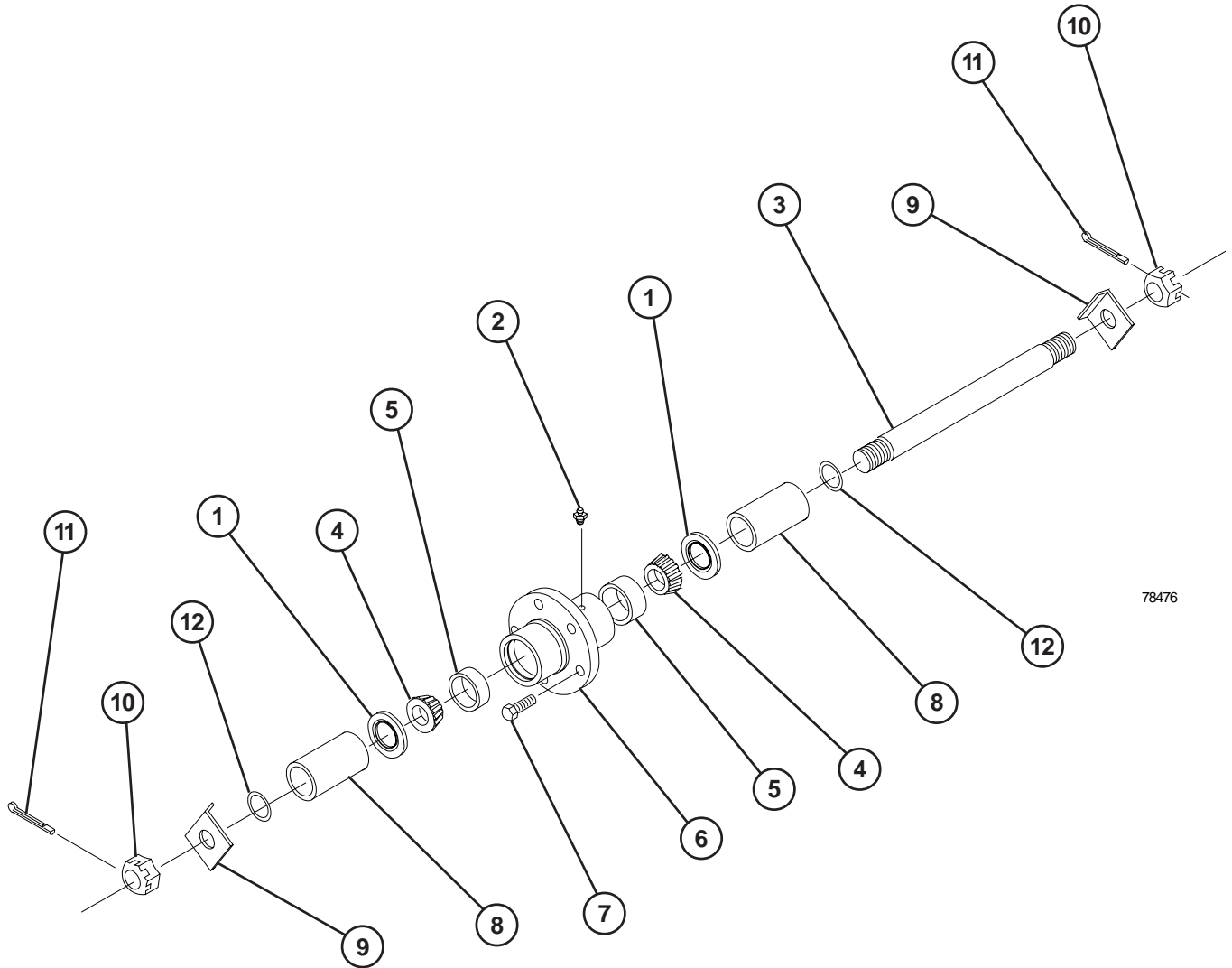
ITEM	PART NO	DESCRIPTION	ITEM	PART NO	DESCRIPTION
1	221396	11 EXCEL MAIN FRAME AXLE	8	220769	AXLE ANCHOR (QUAD X)
	220778	13 MAIN FRAME AXLE (SHOWN)	9	61831	HD WALKER ASSY 2"-LH (INCLUDES ITEM 15 & 16)
	220759	16 MAIN FRAME AXLE		221347	5 SEC HD WALKER ASSY2-1/2"-LH (INCLUDES ITEM 15 & 16)
2	61833	HD WALKER ASSY 2"-RH (INCLUDES ITEM 15 & 16)	10	12103	1.75" BORE BRG CONE (25580)
	221348	5 SEC HD WALKER ASSY2-1/2"-RH (INCLUDES ITEM 15 & 16)	11	16278	BEARING BUSHING
3	89343	5/8"NCx3-1/4" GR5 BOLT	12	26120	SEAL REPLACE BY 23733
4	221261	10.8" MAST ANCHOR	13	16277	TANDEM PIN
5	88304	1/2"NF LOCK NUT	14	42082	1-1/2"NF HYDRA LOCK NUT
6	14131	2" HUB & SPINDLE (SEE PAGE 30)	15	12104	3.265" OD BEARING CUP (NOT SHOWN)
	16154	2-1/2" HUB & SPINDLE(SEE PAGE 30)	16	88550	1/4"NF GREASE FITTING
7	16290	9.5Lx15 WHEEL ASSY 6B 8PLY	17	220781	RIGHT WING AXLE
	10498	15x8 RIM 6 BOLT		220782	LEFT WING AXLE (SHOWN)
	16287	9.5Lx15 TIRE 8PLY	18	68033	PIN (1"x6.38")
	30784	VALVE STEM ASSY TR415	19	88196	1" FLAT WASHER
	24538	11Lx15 WHEEL ASSY 6B 8PLY	20	42484	1/4"x2-1/4" SPIROL PIN
	10498	15x8 RIM 6 BOLT	21	88841	3/4"NCx2-3/4" GR5 BOLT
	29066	11Lx15 TIRE 8PLY	22	221262	12.6" MAST ANCHOR (EXCEL)
	30784	VALVE STEM ASSY TR415	23	221260	9.3" MAST ANCHOR
	222087	31x13.50-15 WHEEL ASSY 12PLY			
	46714	15 x10 RIM 6 BOLT			
	222088	31x13.50-15 TIRE 12PLY			
	57908	VALVE STEM ASSY			

1-3/4", 2" & 2-1/2" HUB & SPINDLE



ITEM	PART NO	DESCRIPTION	ITEM	PART NO	DESCRIPTION
	41233	1-3/4" HUB & SPINDLE (INCLUDES ITEMS 1-8 & 11-15)	8	16156	2-1/2" SPINDLE
	14131	2" HUB & SPINDLE (INCLUDES ITEMS 1-8 & 11-15)		14251	2" AXLE SPINDLE
	16154	2-1/2" HUB & SPINDLE (INCLUDES ITEMS 1-8 & 11-15)	9	88298	5/8"NCx4" GR5 BOLT (2-1/2")
1	88301	3/16"x1-1/2" COTTER PIN		88429	1/2"NFx3-1/4" GR5 BOLT (2")
	88133	3/16"x2" COTTER PIN (2-1/2")		88313	1/2"NFx3" GR5 BOLT (1-3/4")
2	16094	7/8" SPINDLE WASHER	10	88304	1/2"NF LOCK NUT
	64050	HARD WR 2-1/2"ODx1-1/16"ID(2-1/2")		88369	5/8"NC LOCK NUT
3	10345	OUTER BEARING CONE	11	16083	INNER BEARING CONE (2-1/2")
	16081	OUTER BEARING CONE (2-1/2")		14248	INNER BEARING CONE (2")
4	10344	OUTER BEARING CUP	12	16084	INNER BEARING CUP (2-1/2")
	16082	OUTER BEARING CUP (2-1/2")		14249	INNER BEARING CUP (2")
5	24097	2" PRESSED HUB		11379	INNER BEARING CUP (1-3/4")
		(INCLUDES ITEMS 4, 6 & 12)	13	88142	1/2"NFx1 90° WHEEL BOLT
	30405	6 BOLT HUB 1-3/4"		63831	9/16"NFx1-1/8" WHL BOLT (2-1/2")
		(INCLUDES ITEMS 4, 6, 12 & 16)	14	88340	7/8"NF SLOTTED NUT
	41054	8 BOLT HUB 2-1/2"		88299	1"NF SLOTTED NUT (2-1/2")
		(INCLUDES ITEMS 4, 6, 12 & 16)	15	11381	DUST CAP
6	88263	1/8"NPT GREASE FITTING		16077	HUB CAP (2-1/2")
	88143	1/4 GREASE FITTING (2-1/2")	16	25586	WEAR SLEEVE (1-3/4")
7	58546	2" TRIPLE LIP SEAL		235298	WEAR SLEEVE (2-1/2")
	25585	1-3/4" TRIPLE LIP SEAL			
	16080	2-1/2" SPINDLE SEAL			

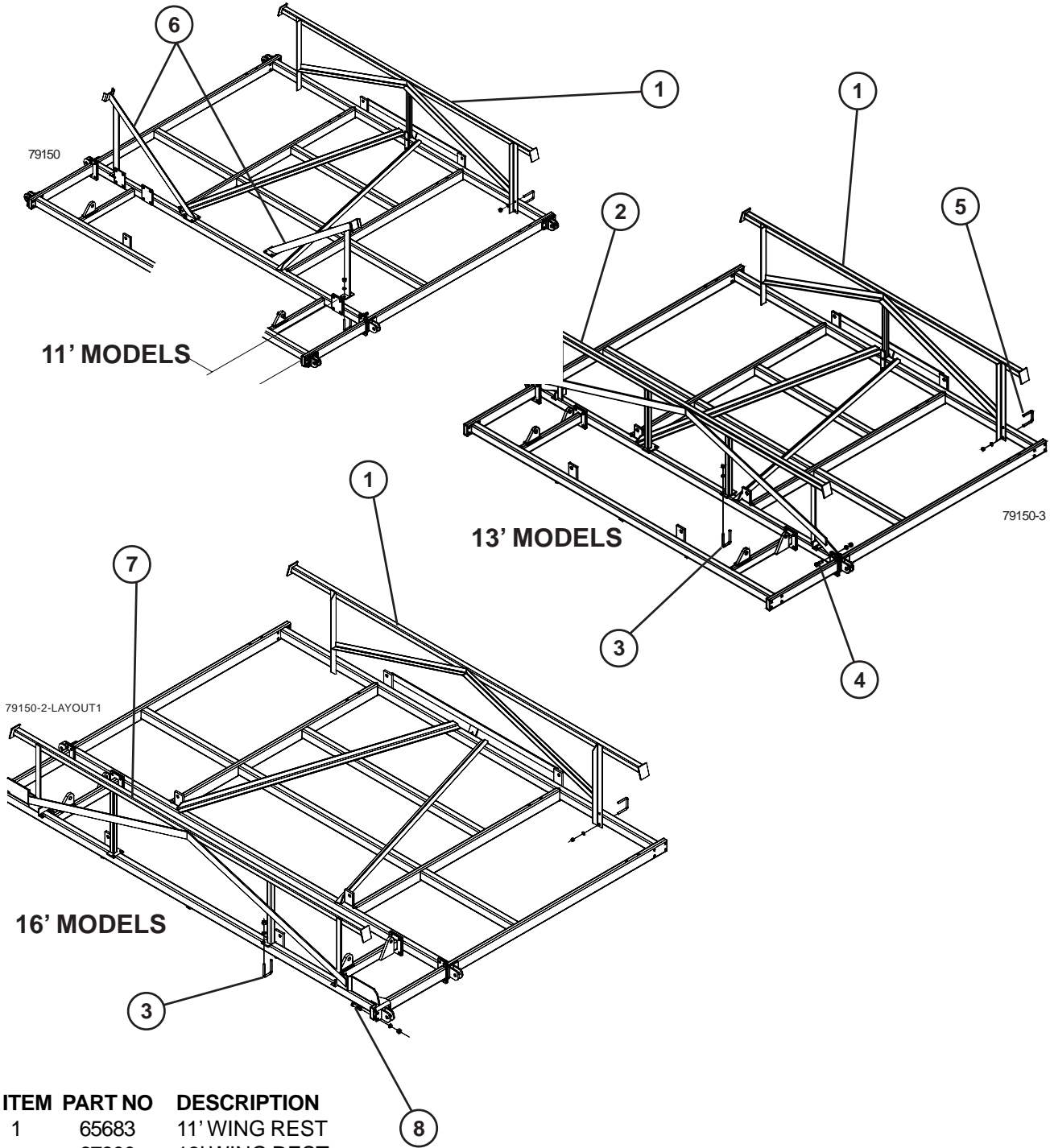
GAUGE WHEEL HUB & SPINDLE



78476

ITEM	PART NO	DESCRIPTION	ITEM	PART NO	DESCRIPTION
	58294	YOKE HUB ASSEMBLY (22" SPINDLE)	7	63831	9/16"NFx1-1/8" WHEEL BOLT
1	208981	2" INTERNAL TRIPLE LIP SEAL	8	62400	2"ODx6" SEALED SPINDLE TUBE
2	88263	1/8"NPT GREASE FITTING	9	55150	SPINDLE LOCK
3	58204	1-1/2" DIAx22" SPINDLE	10	88299	1"NF SLOTTED NUT
4	54731	BEARING CONE	11	88133	3/16"x2" COTTER PIN
5	16082	BEARING CUP	12	12456	O-RING (REQ. W/62400)
6	62389	HUB W/CUPS (INCLUDES ITEM 5) REPLACE BY 54729			

11', 13' & 16' EXCEL WING REST



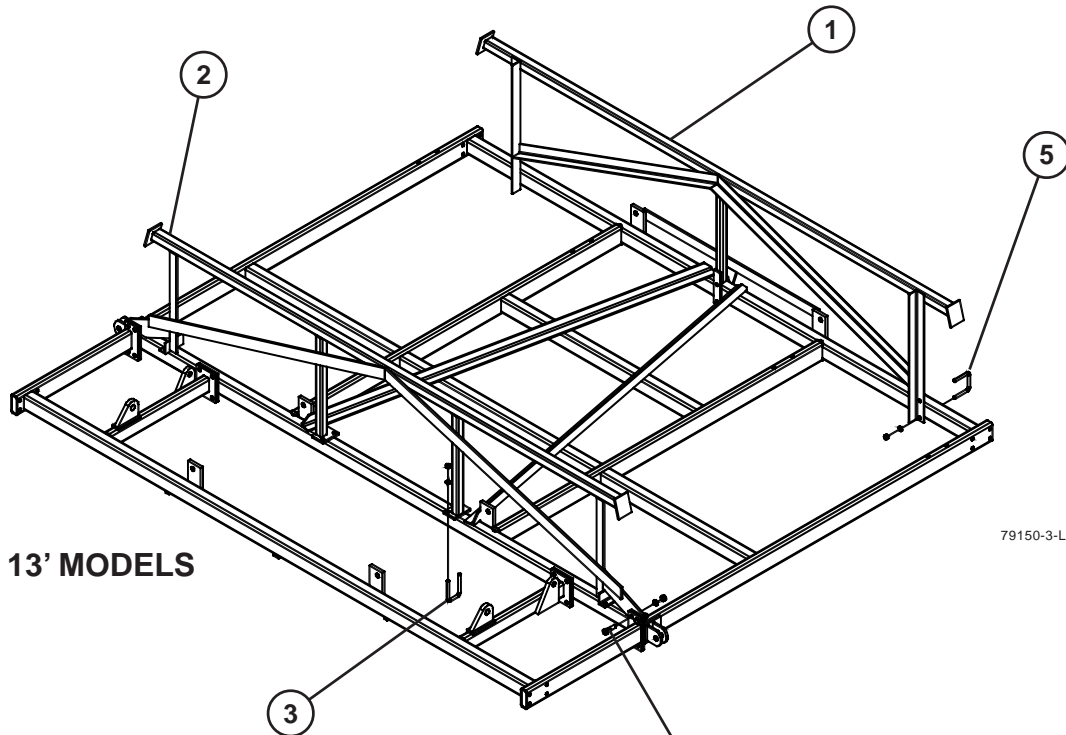
ITEM	PART NO	DESCRIPTION
1	65683	11' WING REST
	67900	13' WING REST
	55776	16' WING REST
2	222085	13' TRUSS WING REST
3	88503	5/8"NCx3"x5-1/4" U-BOLT
4	88404	3/4"NCx2-1/2" GR5 BOLT
5	88501	5/8"NCx4"x4-1/4" U-BOLT
6	67794	11' & 13' FRONT WING REST(9' WING)
7	68094	16' FRONT WING REST(11' WING)
8	88292	5/8"NCx3-1/2" GR5 BOLT

Standard Nuts and Lock Washers

88172	1/4NC Nut	88262	1/4 Lock Washer
88103	3/8NC Nut	88362	3/8 Lock Washer
88104	1/2NC Nut	88303	1/2 Lock Washer
88126	5/8NC Nut	88129	5/8 Lock Washer
88110	3/4NC Nut	88130	3/4 Lock Washer
88371	7/8NC Nut	88341	7/8 Lock Washer

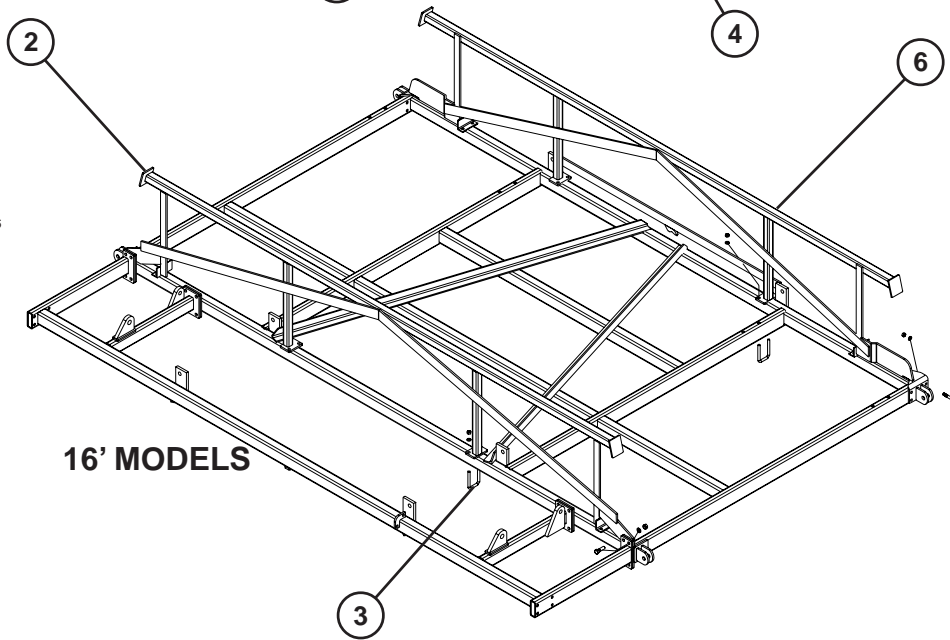
Note: Standard nuts and lock washers are not called out. Anything other than standard will be called out.

13' & 16' QUADX WING REST



13' MODELS

79150-3-LAYOUT1.PLT



16' MODELS

79150-3A-2006

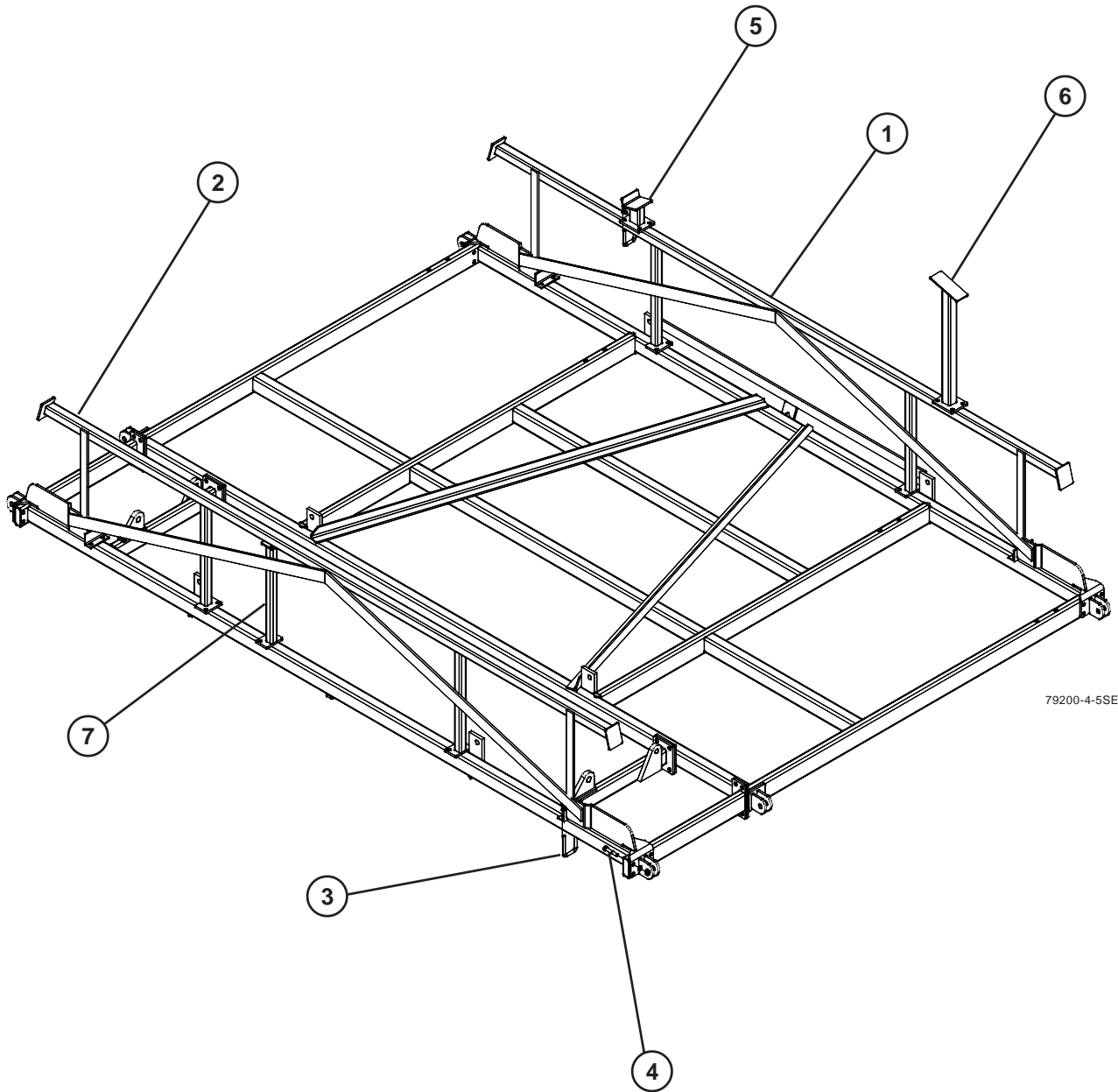
ITEM	PART NO	DESCRIPTION
1	67900	13' WING REST
2	222085	13' TRUSS WING REST
	221993	16' TRUSS WING REST
3	88503	5/8"NCx3"x5"-1/4" U-BOLT
4	88404	3/4"NCx2-1/2" GR5 BOLT
5	88501	5/8"NCx4"x4"-1/4" U-BOLT
6	68094	16' FRONT WING REST

Standard Nuts and Lock Washers

88172	1/4NC Nut	88262	1/4 Lock Washer
88103	3/8NC Nut	88362	3/8 Lock Washer
88104	1/2NC Nut	88303	1/2 Lock Washer
88126	5/8NC Nut	88129	5/8 Lock Washer
88110	3/4NC Nut	88130	3/4 Lock Washer
88371	7/8NC Nut	88341	7/8 Lock Washer

Note: Standard nuts and lock washers are not called out. Anything other than standard will be called out.

5 SECTION EXCEL WING REST



79200-4-5SEC

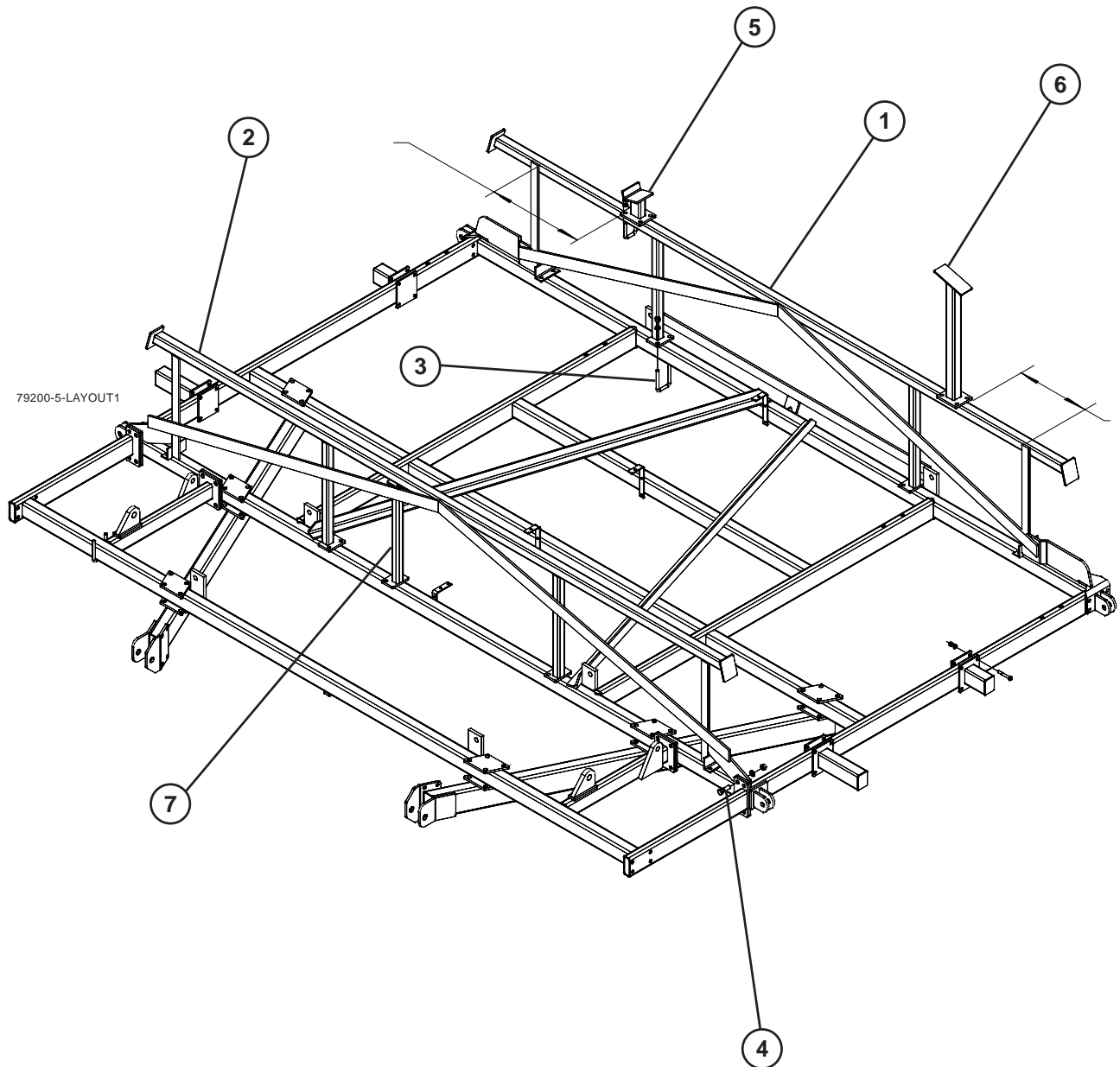
ITEM	PART NO	DESCRIPTION
1	67900	13' WING REST (5 SEC QX/XL)
	68094	16' WING REST (5 SEC QX/XL)
2	222085	13' TRUSS WING REST
	68094	16' WING REST
3	88503	5/8"NCx3"x5-1/4" U-BOLT
4	88292	5/8"NCx3-1/2" GR5 BOLT
5	221381	5SEC WING STOP REST (9'4" OUTER WING ONLY)
6	221578	WING REST 7FT 5SEC WING (7' OUTER WING ONLY)
7	221980	REST STUB (16' ONLY)

Standard Nuts and Lock Washers

88172	1/4NC Nut	88262	1/4 Lock Washer
88103	3/8NC Nut	88362	3/8 Lock Washer
88104	1/2NC Nut	88303	1/2 Lock Washer
88126	5/8NC Nut	88129	5/8 Lock Washer
88110	3/4NC Nut	88130	3/4 Lock Washer
88371	7/8NC Nut	88341	7/8 Lock Washer

Note: Standard nuts and lock washers are not called out. Anything other than standard will be called out.

5 SECTION QUADX WING REST



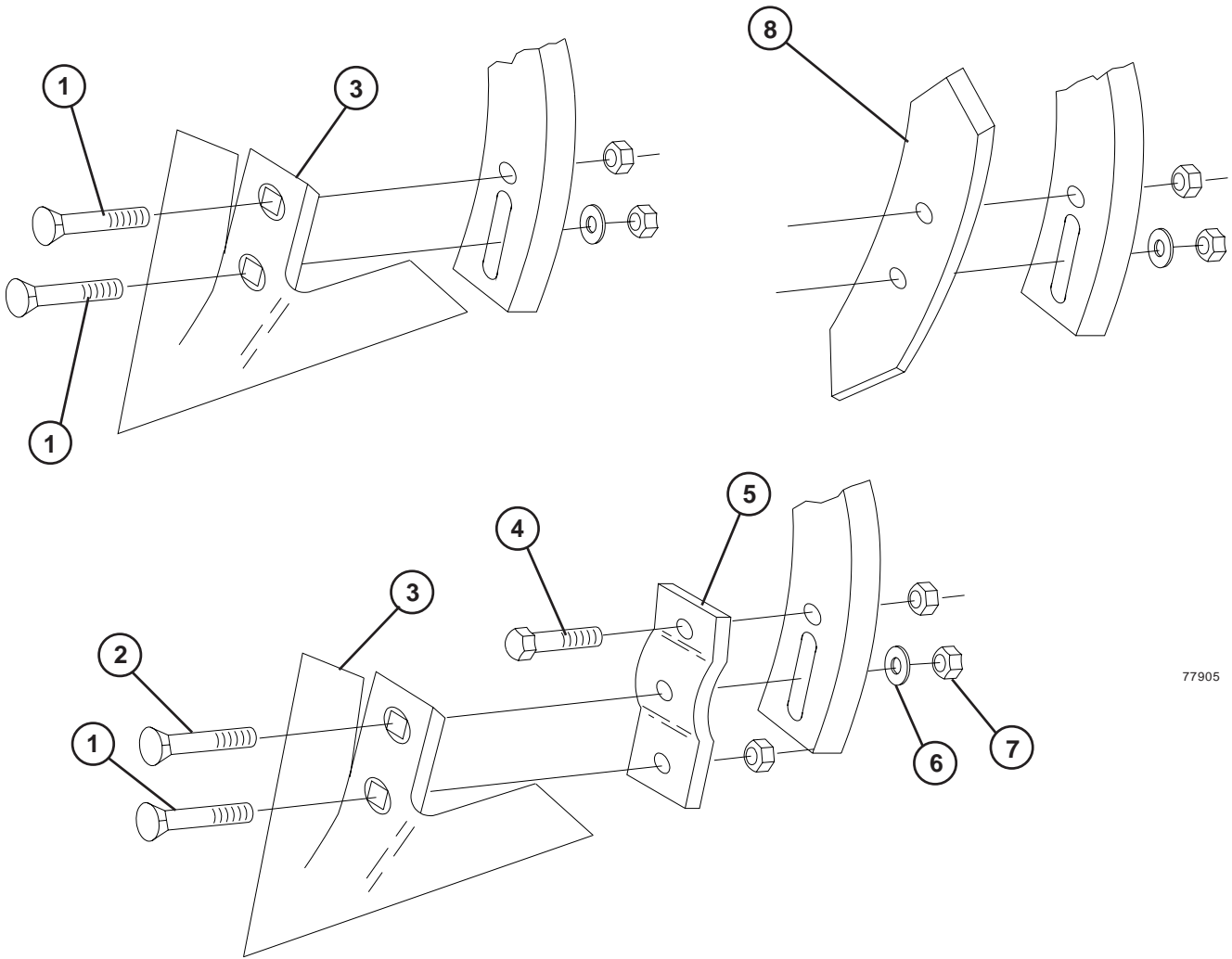
ITEM	PART NO	DESCRIPTION
1	67900	13' WING REST
	68094	16' WING REST (16 5SEC XL/QX)
2	222085	13' TRUSS WING REST
	221993	16' TRUSS WING REST
3	88503	5/8"NCx3"x5-1/4" U-BOLT
4	88404	3/4"NCx2-1/2" GR5 BOLT
5	221381	5SEC WING STOP REST (9'4" OUTER WING ONLY)
6	221578	WING REST 7FT 5SEC WING (7' OUTER WING ONLY)
7	221980	REST STUB (16' ONLY)

Standard Nuts and Lock Washers

88172	1/4NC Nut	88262	1/4 Lock Washer
88103	3/8NC Nut	88362	3/8 Lock Washer
88104	1/2NC Nut	88303	1/2 Lock Washer
88126	5/8NC Nut	88129	5/8 Lock Washer
88110	3/4NC Nut	88130	3/4 Lock Washer
88371	7/8NC Nut	88341	7/8 Lock Washer

Note: Standard nuts and lock washers are not called out. Anything other than standard will be called out.

SHOVELS

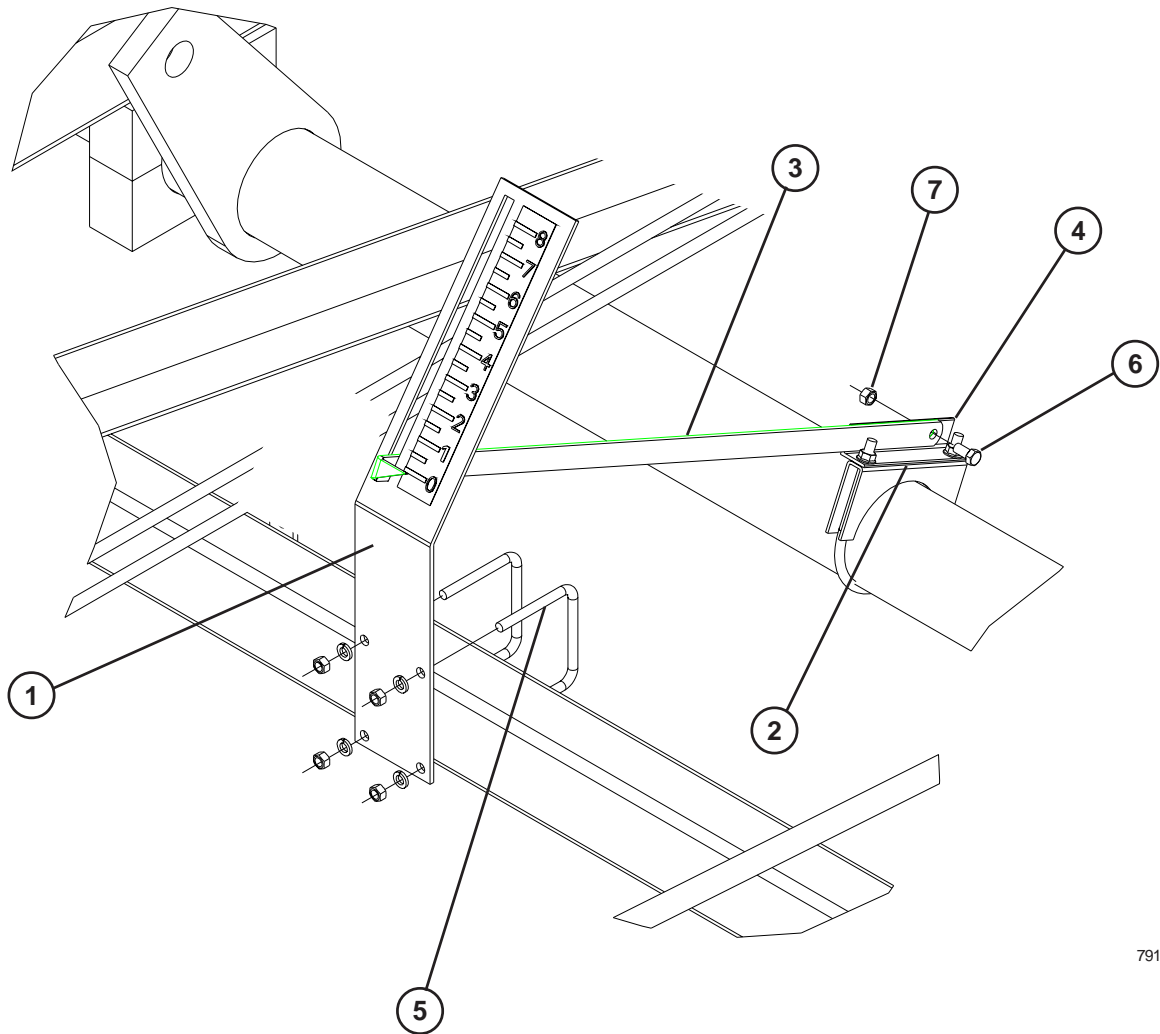


77905

ITEM	PART NO	DESCRIPTION
	222680	2" REVERSIBLE SPIKE W/HDWE
	222681	7" SWEEP W/HDWE
	222682	9" SWEEP W/HDWE
	16339	FC SHOVEL EXTENSION KIT (REF. ITEMS 1,2,4,5,6 & 7 KIT CONTAINS HDWE FOR 4 SHOVELS)
1	88599	PLOW BOLT 7/16NCX1-1/2 GR5
	88849	PLOW BOLT 7/16NCX1-3/4 GR5
2	88464	PLOW BOLT 7/16NCX2-1/4 GR5

ITEM	PART NO	DESCRIPTION
3	222682	9" TERMINATOR SWEEP 47° STEM ANGLE W/HWDR
	222681	7" TERMINATOR SWEEP 47° STEM ANGLE W/ HDWR
4	88392	7/16NCX1-1/2 BOLT
5	41575	FC SHOVEL EXTENSION
6	88152	7/16 FLAT WASHER
7	88344	7/16NC NUT
8	222680	2" REVERSIBLE SPIKE W/HDWR

DEPTH GAUGE



79120.PLT

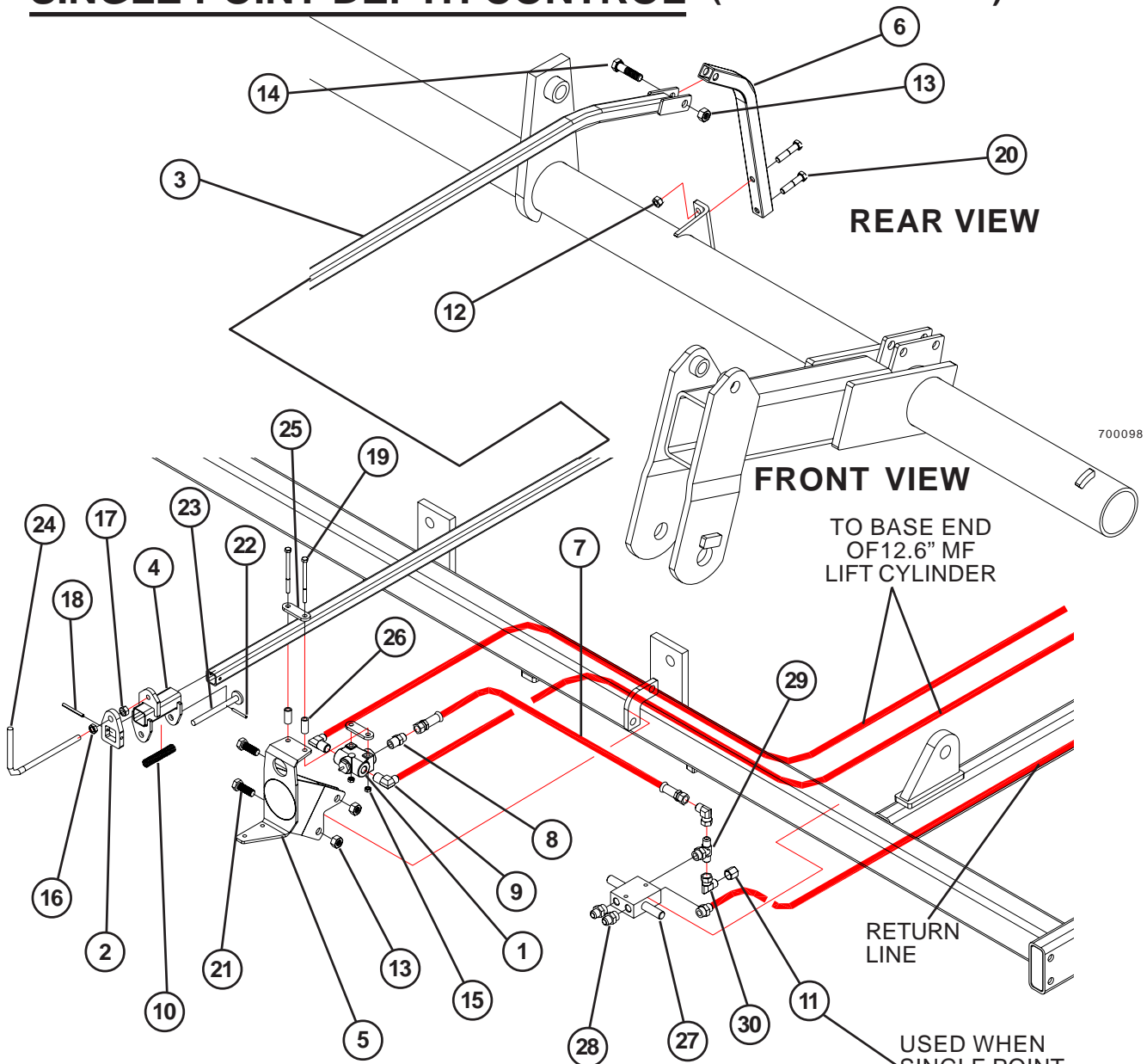
ITEM	PART NO	DESCRIPTION
1	69303	DEPTH GAUGE
2	69314	4-1/2" EXHAUST CLAMP
3	69309	DEPTH INDICATOR ARM
4	69310	ANGLE
5	88514	3/8"NCx4"x3-3/4" U-BOLT
6	88566	3/8"NCx3/4" GR5 BOLT
7	88162	3/8"NC LOCK NUT

Standard Nuts and Lock Washers

88172	1/4NC Nut	88262	1/4 Lock Washer
88103	3/8NC Nut	88362	3/8 Lock Washer
88104	1/2NC Nut	88303	1/2 Lock Washer
88126	5/8NC Nut	88129	5/8 Lock Washer
88110	3/4NC Nut	88130	3/4 Lock Washer
88371	7/8NC Nut	88341	7/8 Lock Washer

Note: Standard nuts and lock washers are not called out. Anything other than standard will be called out.

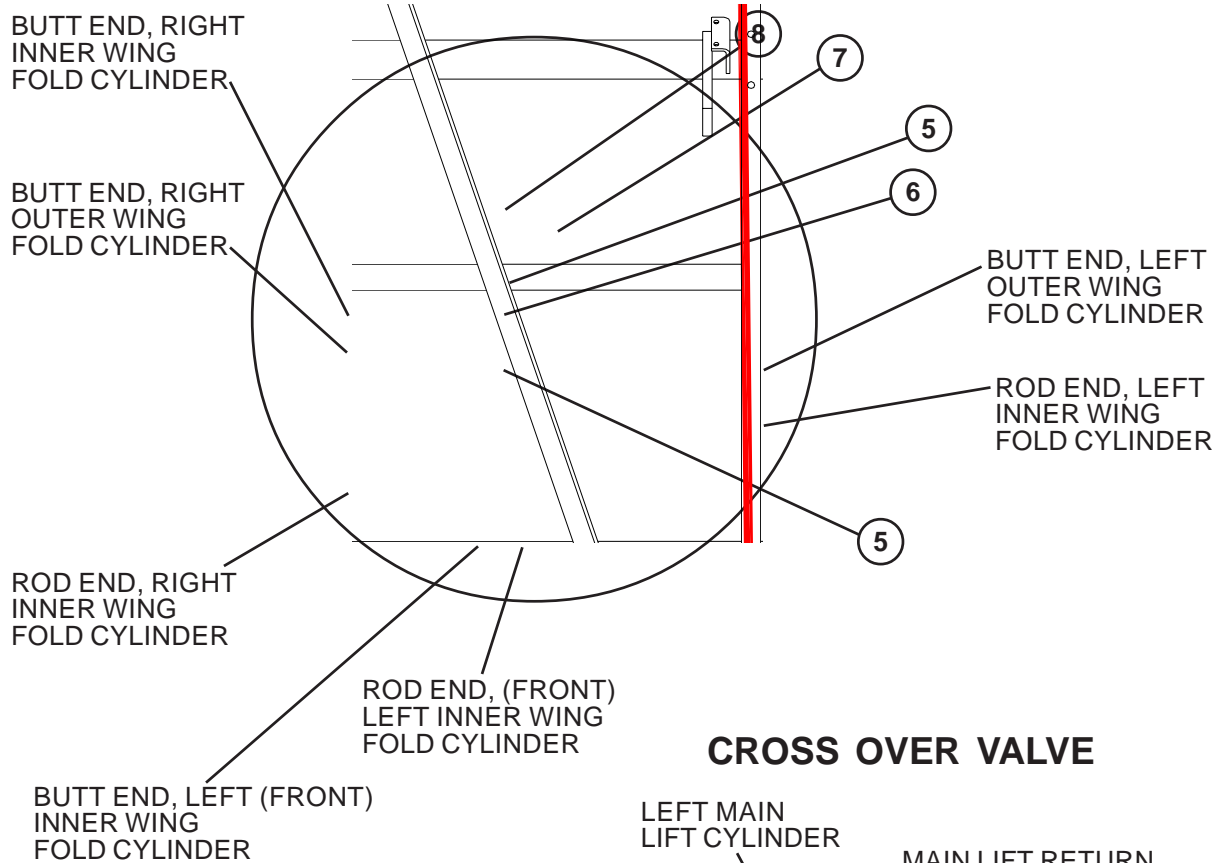
SINGLE POINT DEPTH CONTROL (FALL 2006 & UP)



ITEM	PART NO	DESCRIPTION
1	51975	SINGLE POINT DCV ASSY
2	222107	ADJUST EAR
3	222108	BENT TUBE
4	222111	SLIDE ADJUST
5	238638	SINGLE POINT BRACKET
6	238652	SINGLE POINT TUBE-SHORT
7	239088	HYD HOSE 1/2"x18" 8FJX-8FJX
8	13234	ADP 8MJ X 8MPT
9	13236	ELB 8MJ X 8MPT
10	23200	SPRING
11	24812	CAP NUT 8MJ
12	88363	1/2" NC LOCK NUT
13	88369	5/8" NC LOCK NUT
14	88409	5/8"NCx2-1/2" GR5 BOLT
15	88540	5/16" NC LOCK NUT
16	88561	1/2" NC JAM NUT
17	88621	1/2" NC NYLON LOCK NUT

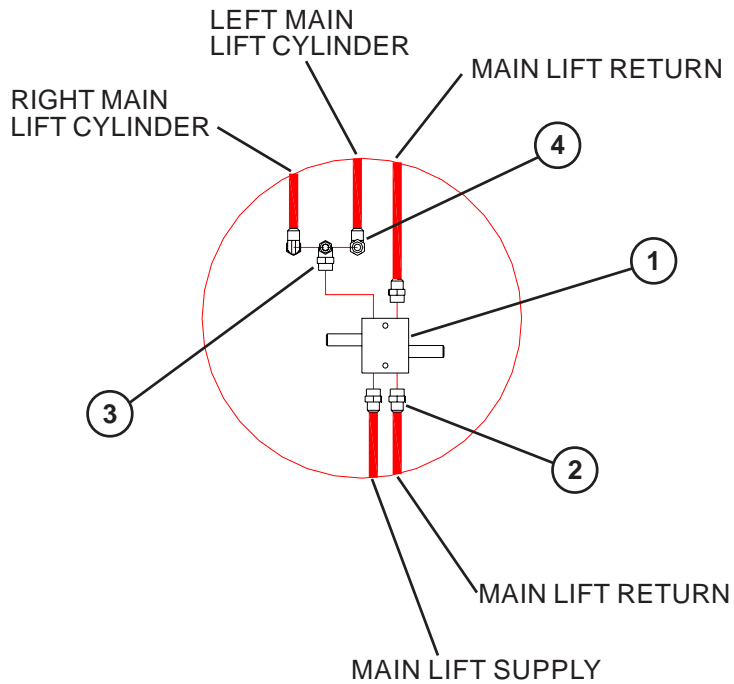
ITEM	PART NO	DESCRIPTION
18	88767	1/4"x2-1/2" ROLL PIN
19	88812	5/16"NCx4-1/2" GR5 BOLT
20	88825	1/2"NCx2-1/4" GR5 BOLT
21	88838	5/8"NCx1-3/4" GR5 BOLT
22	89078	3/16"x1-3/4" ROLL PIN
23	222180	SPRING PIN
24	222182	ADJUST CRANK
25	238636	VALVE SPACER
26	238637	SPACER TUBE
27	240365	CROSS-OVER RELIEF VALVE
28	240367	ADP 8MJ X 10MORB
29	240368	TEE 8MJ X 8MJ X 10MORB
30	25591	ELB 8MJ X 8FJX

SEQUENCE VALVE AND CROSS OVER VALVE



700154

CROSS OVER VALVE



700097

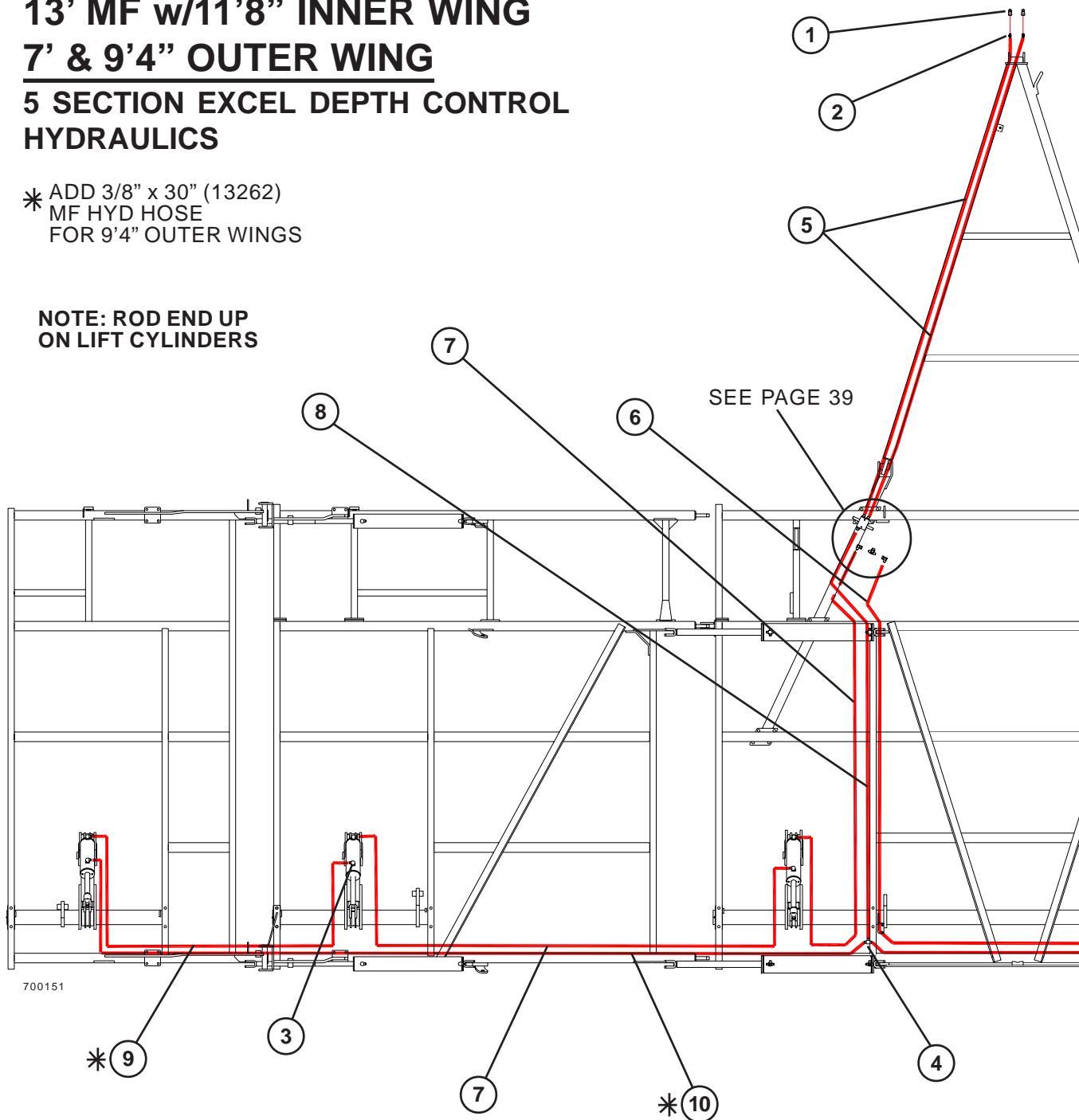
ITEM	PART NO	DESCRIPTION
1	240365	CROSS-OVER RELIEF VALVE
2	240367	ADP 8MJ X 10MORB
3	240368	TEE 8MJ X 8MJ X 10MORB
4	25591	ELB 8MJ X 8FJX
5	24004	ADP 8MORB x 8FJX
6	15910	CROSS 8MJ
7	56534	TEE 8MJ X 8MJ x 8MORB
8	65870	SEQUENCE VALVE

13' MF w/11'8" INNER WING 7' & 9'4" OUTER WING

5 SECTION EXCEL DEPTH CONTROL HYDRAULICS

* ADD 3/8" x 30" (13262)
MF HYD HOSE
FOR 9'4" OUTER WINGS

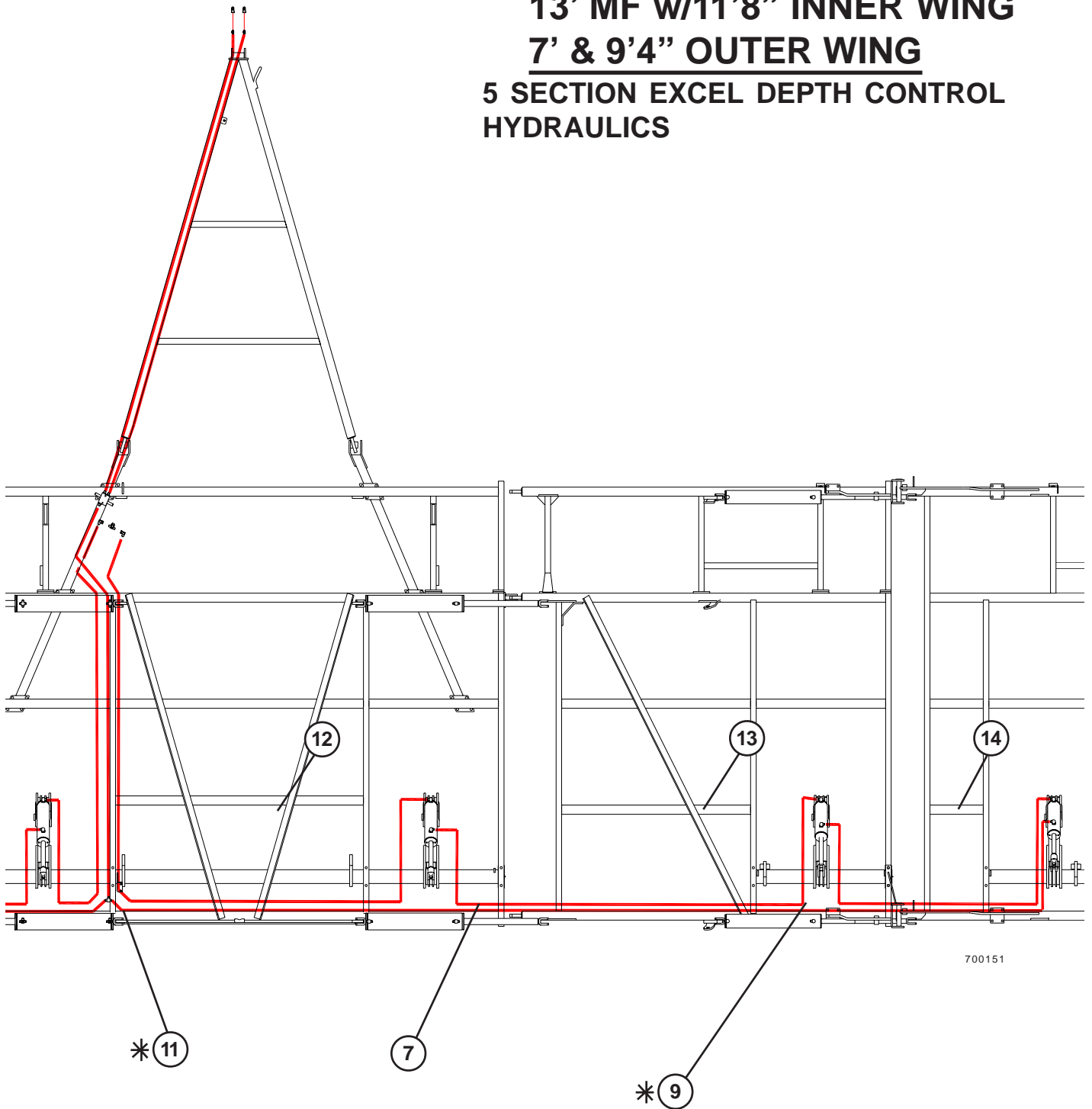
NOTE: ROD END UP
ON LIFT CYLINDERS



ITEM	PART NO	DESCRIPTION
1	60640	QUICK DISCONNECT COUPLER
2	13234	ADP 8MJ X 8MPT
3	25580	ELB 8MJ X 8MORB
4	13238	TEE 8MJ X 8MJ X 8MJ
5	234940	HYD HOSE 1/2"x216" FF
6	67576	HYD HOSE 3/8"x276" FF
7	240605	HYD HOSE 3/8"x216" FF
8	13484	HYD HOSE 3/8"x156" FF
9	13483	HYD HOSE 3/8"x120" FF
10	240604	HYD HOSE 3/8"x300" FF
11	240609	HYD HOSE 3/8"x324" FF

ITEM	PART NO	DESCRIPTION
12	67683F1	HYD CYL 4"x12.56" BP FGS A519CY24
	239904	SEAL KIT 4" BP (FGS SK-ACXL4Q1S)
13	67688F1	HYD CYL 4"x10.8" BP FGA A519CY25
	239904	SEAL KIT 4" BP (FGS SK-ACXL4Q1S)
14	67687F1	HYD CYL 4"x9.3" BP FGS A519CY31
	239904	SEAL KIT 4" BP (FGS SK-ACXL4Q1S)
15	220061	1-1/2" CHANNEL LOCK 10"(NOT SHOWN)
16	42505	CYLINDER PIN KIT(NOT SHOWN)

**13' MF w/11'8" INNER WING
7' & 9'4" OUTER WING
5 SECTION EXCEL DEPTH CONTROL
HYDRAULICS**



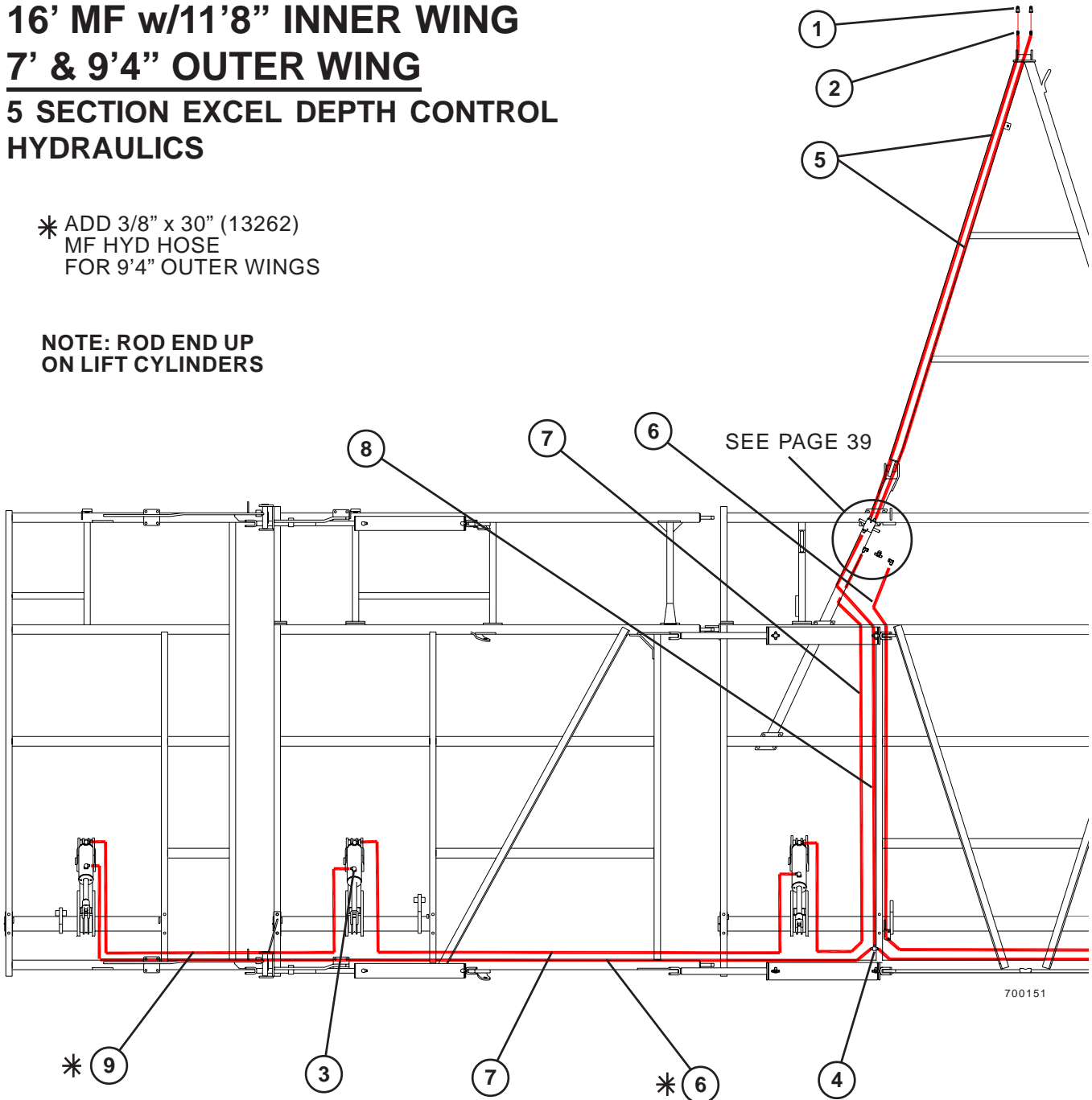
700151

16' MF w/11'8" INNER WING 7' & 9'4" OUTER WING

5 SECTION EXCEL DEPTH CONTROL HYDRAULICS

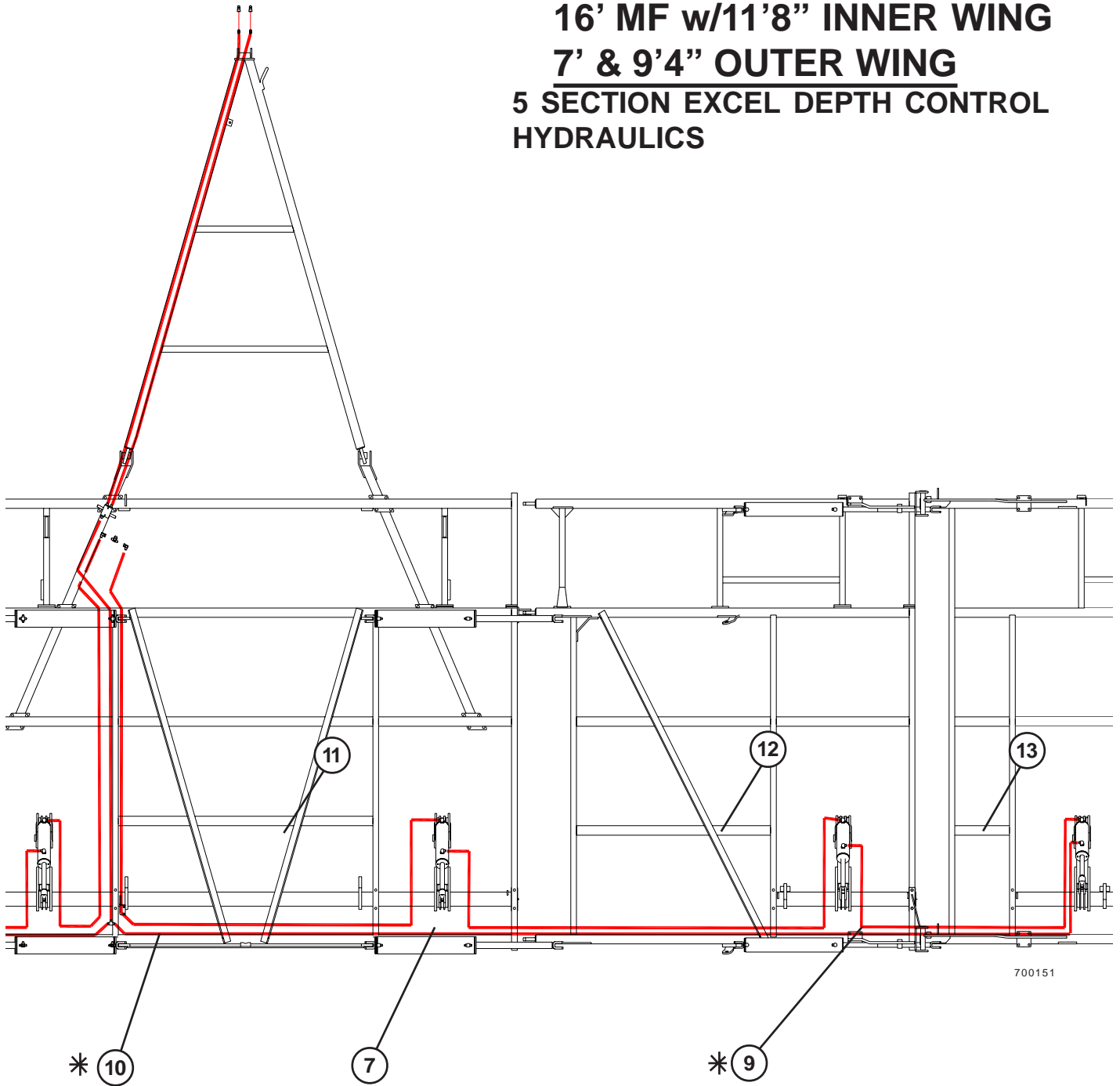
* ADD 3/8" x 30" (13262)
MF HYD HOSE
FOR 9'4" OUTER WINGS

**NOTE: ROD END UP
ON LIFT CYLINDERS**



ITEM	PART NO	DESCRIPTION	ITEM	PART NO	DESCRIPTION
1	60640	QUICK DISCONNECT COUPLER	11	67683F1	HYD CYL 4"X12.56" BP FGS A519CY24
2	13234	ADP 8MJ X 8MPT	239904		SEAL KIT 4" BP (FGS SK-ACXL4Q1S)
3	25580	ELB 8MJ X 8MORB	12	67688F1	HYD CYL 4"X10.8" BP FGA A519CY25
4	13238	TEE 8MJ X 8MJ X 8MJ	239904		SEAL KIT 4" BP (FGS SK-ACXL4Q1S)
5	234940	HYD HOSE 1/2"x216" FF	13	67687F1	HYD CYL 4"X9.3" BP FGS A519CY31
6	240604	HYD HOSE 3/8"x300" FF	239904		SEAL KIT 4" BP (FGS SK-ACXL4Q1S)
7	240605	HYD HOSE 3/8"x216" FF	14	220061	1-1/2" CHANNEL LOCK 10"(NOT SHOWN)
8	13484	HYD HOSE 3/8"x156" FF	15	42505	CYLINDER PIN KIT(NOT SHOWN)
9	13483	HYD HOSE 3/8"x120" FF			
10	240611	HYD HOSE 3/8"x360" FF			

**16' MF w/11'8" INNER WING
7' & 9'4" OUTER WING
5 SECTION EXCEL DEPTH CONTROL
HYDRAULICS**

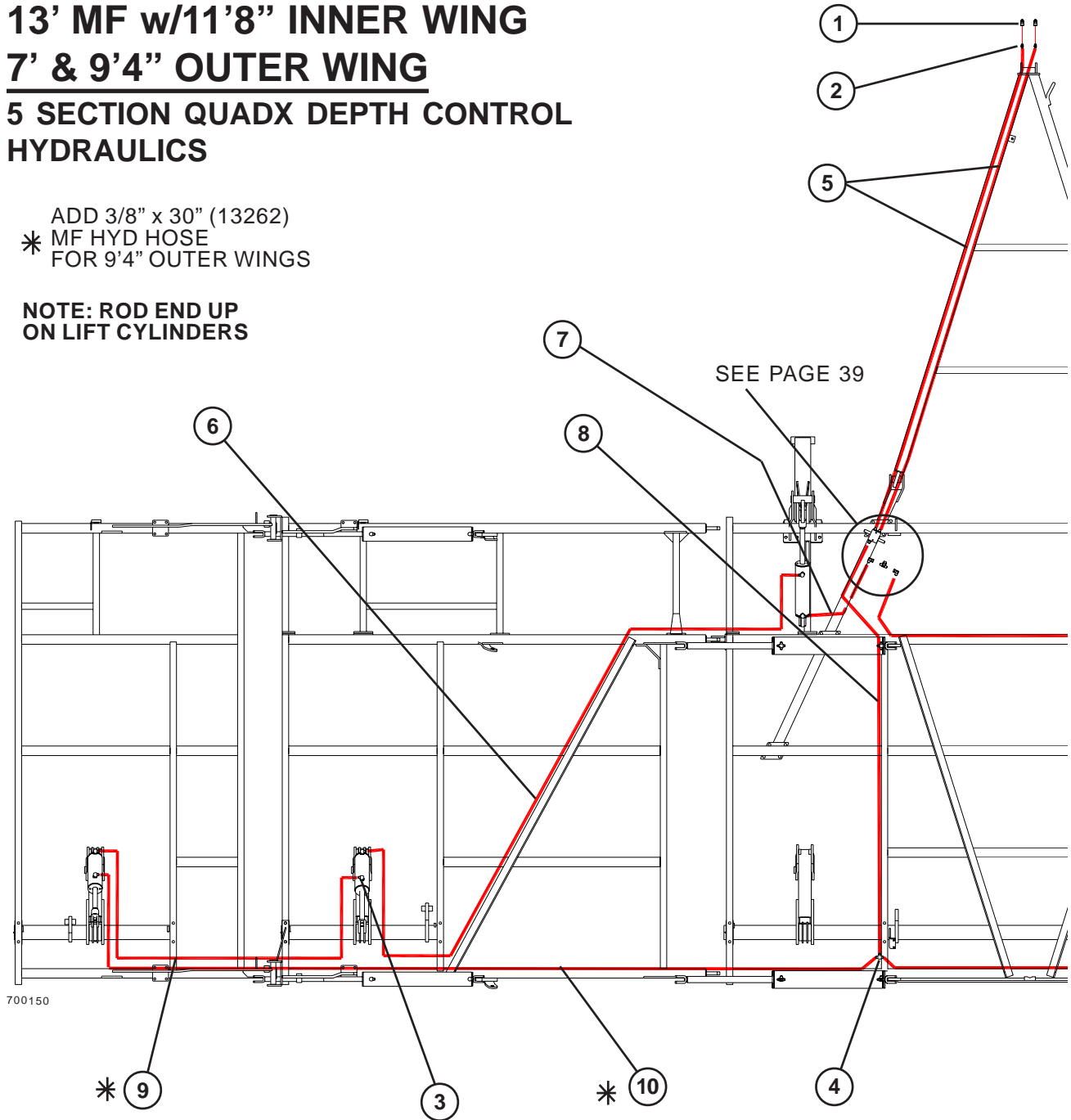


13' MF w/11'8" INNER WING 7' & 9'4" OUTER WING

5 SECTION QUADX DEPTH CONTROL HYDRAULICS

ADD 3/8" x 30" (13262)
* MF HYD HOSE
FOR 9'4" OUTER WINGS

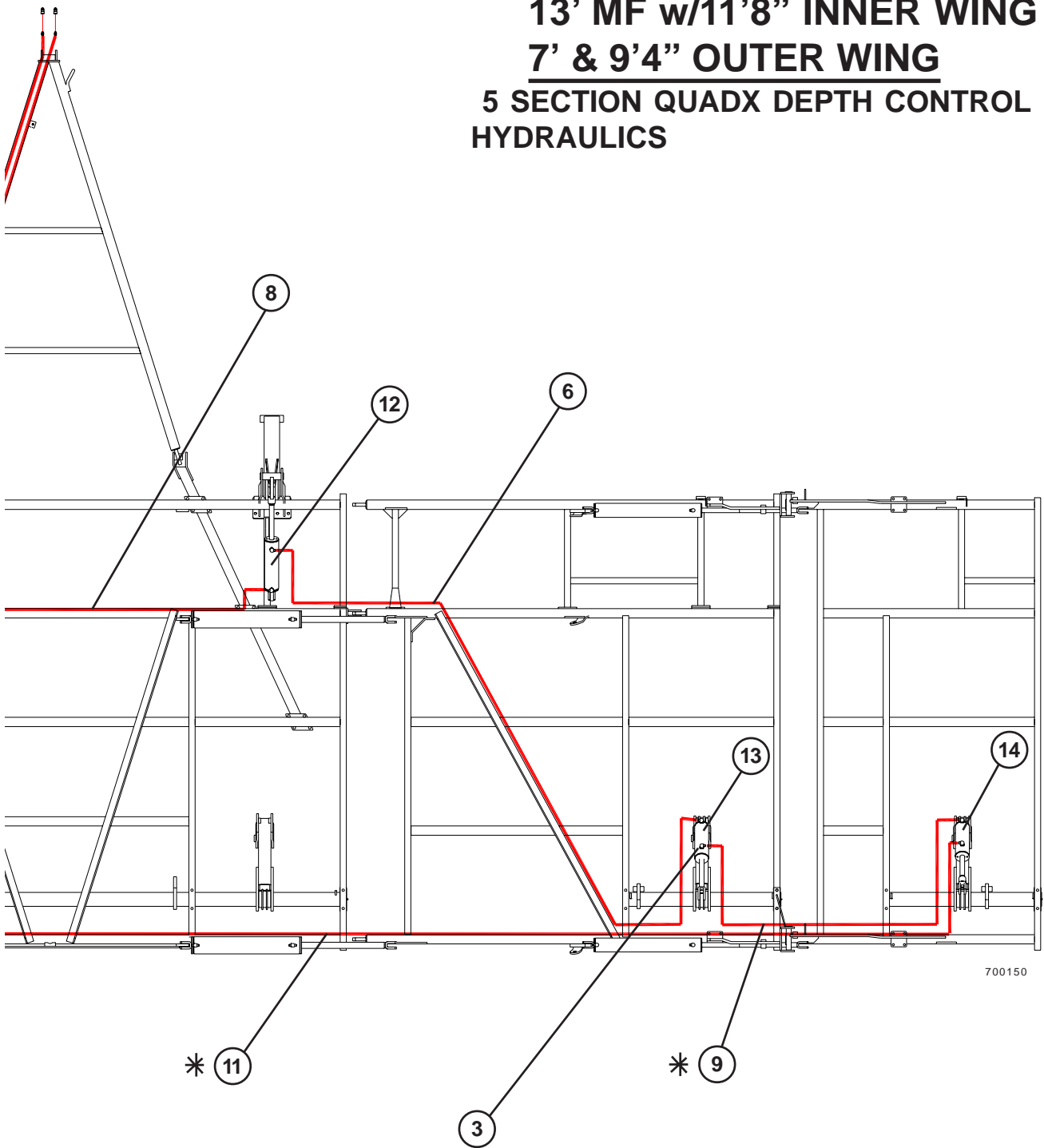
NOTE: ROD END UP
ON LIFT CYLINDERS



ITEM	PART NO	DESCRIPTION
1	60640	QUICK DISCONNECT COUPLER
2	13234	ADP 8MJ X 8MPT
3	25580	ELB 8MJ X 8MORB
4	13238	TEE 8MJ X 8MJ X 8MJ
5	234940	HYD HOSE 1/2"x216" FF
6	67576	HYD HOSE 3/8"x276" FF
7	13265	HYD HOSE 3/8"x56" FF
8	13484	HYD HOSE 3/8"x156" FF
9	13483	HYD HOSE 3/8"x120" FF
10	240604	HYD HOSE 3/8"x300" FF
11	240609	HYD HOSE 3/8"x324" FF

ITEM	PART NO	DESCRIPTION
12	67683F1	HYD CYL 4"x12.56" BP FGS A519CY24
	239904	SEAL KIT 4" BP (FGS SK-ACXL4Q1S)
13	67688F1	HYD CYL 4"x10.8" BP FGAA519CY25
	239904	SEAL KIT 4" BP (FGS SK-ACXL4Q1S)
14	67687F1	HYD CYL 4"x9.3" BP FGS A519CY31
	239904	SEAL KIT 4" BP (FGS SK-ACXL4Q1S)
15	220061	1-1/2" CHANNEL LOCK 10"(NOT SHOWN)
16	42505	CYLINDER PIN KIT(NOT SHOWN)

**13' MF w/11'8" INNER WING
7' & 9'4" OUTER WING
5 SECTION QUADX DEPTH CONTROL
HYDRAULICS**



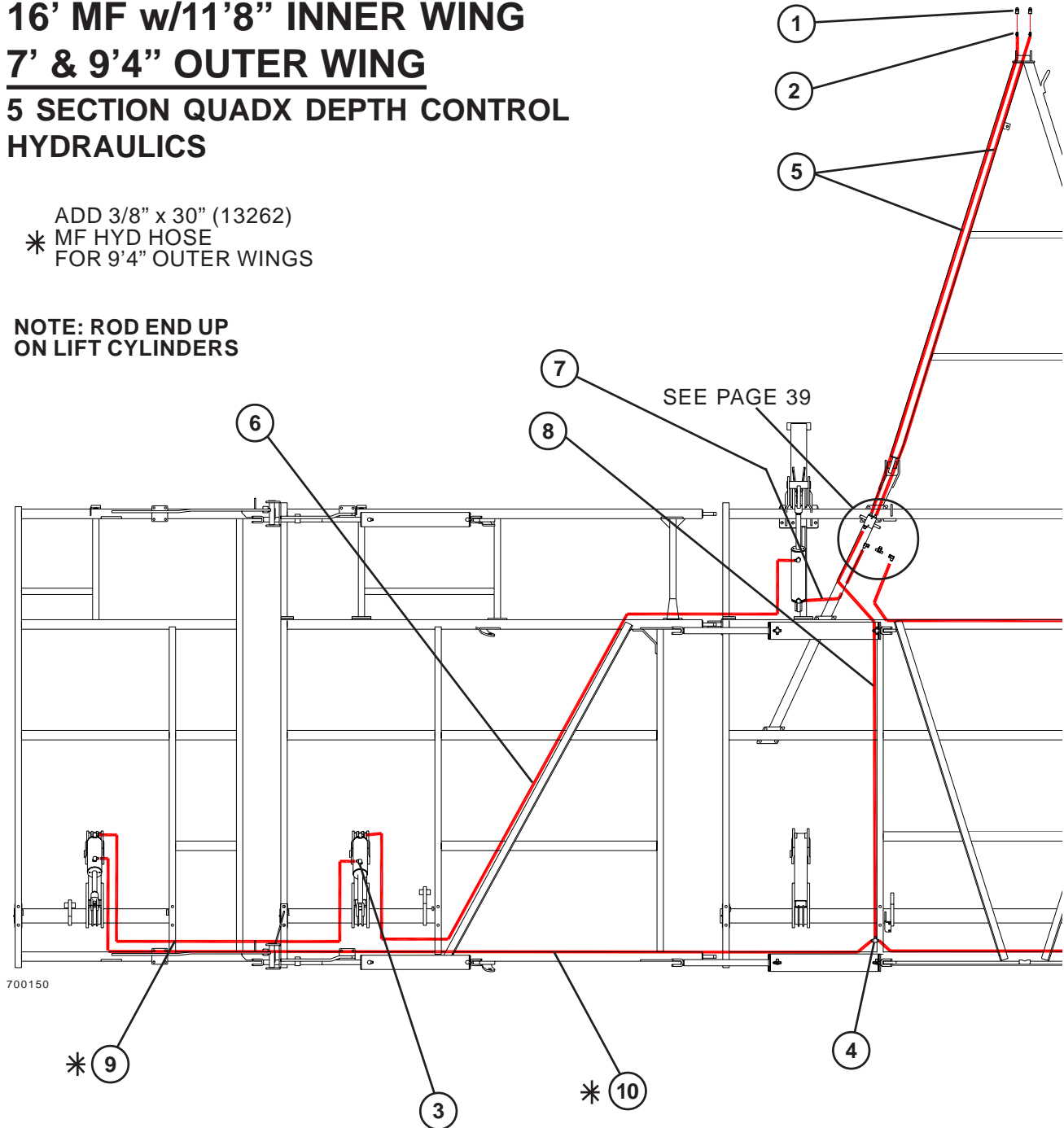
700150

16' MF w/11'8" INNER WING 7' & 9'4" OUTER WING

5 SECTION QUADX DEPTH CONTROL HYDRAULICS

ADD 3/8" x 30" (13262)
* MF HYD HOSE
FOR 9'4" OUTER WINGS

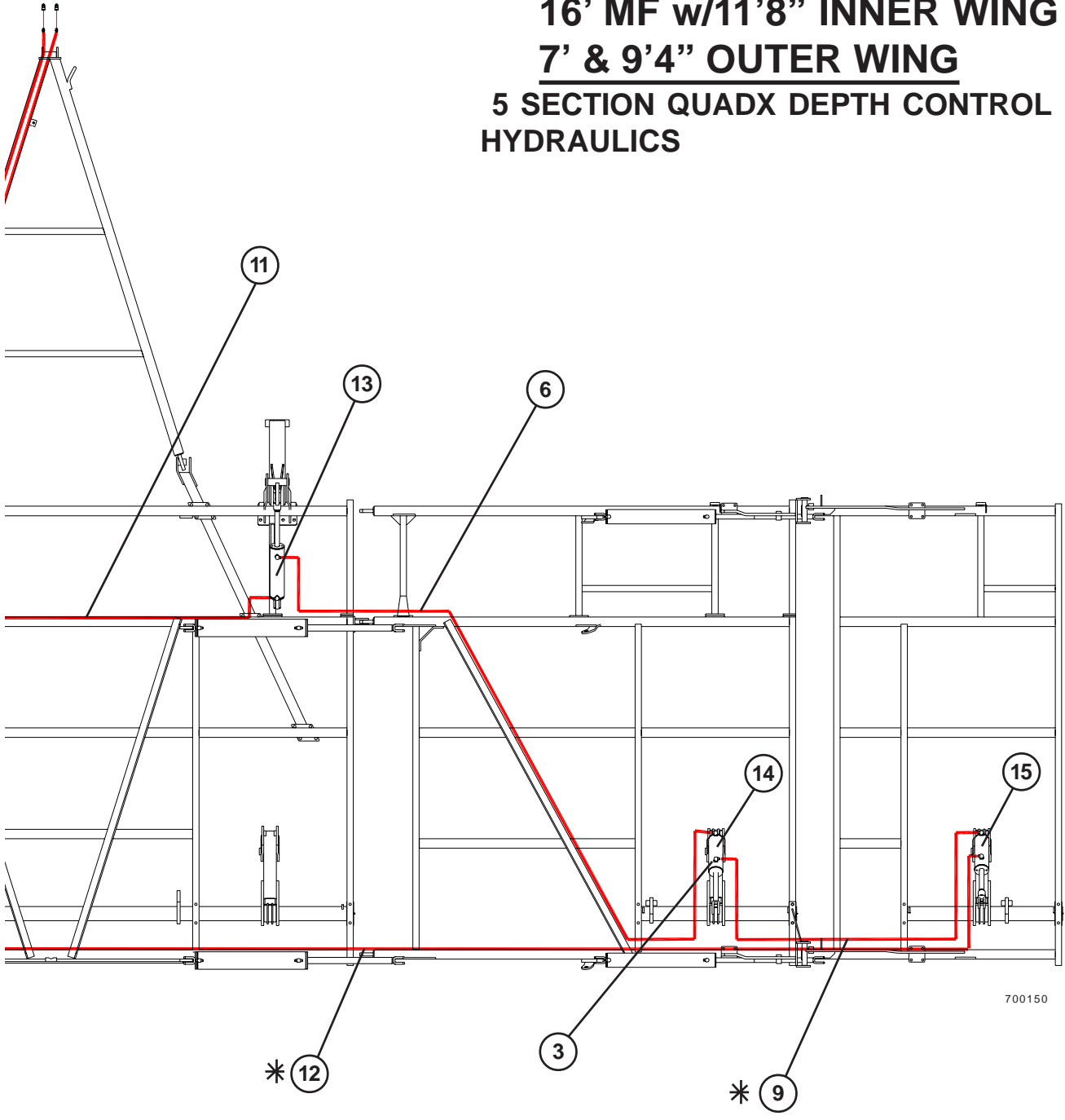
NOTE: ROD END UP
ON LIFT CYLINDERS



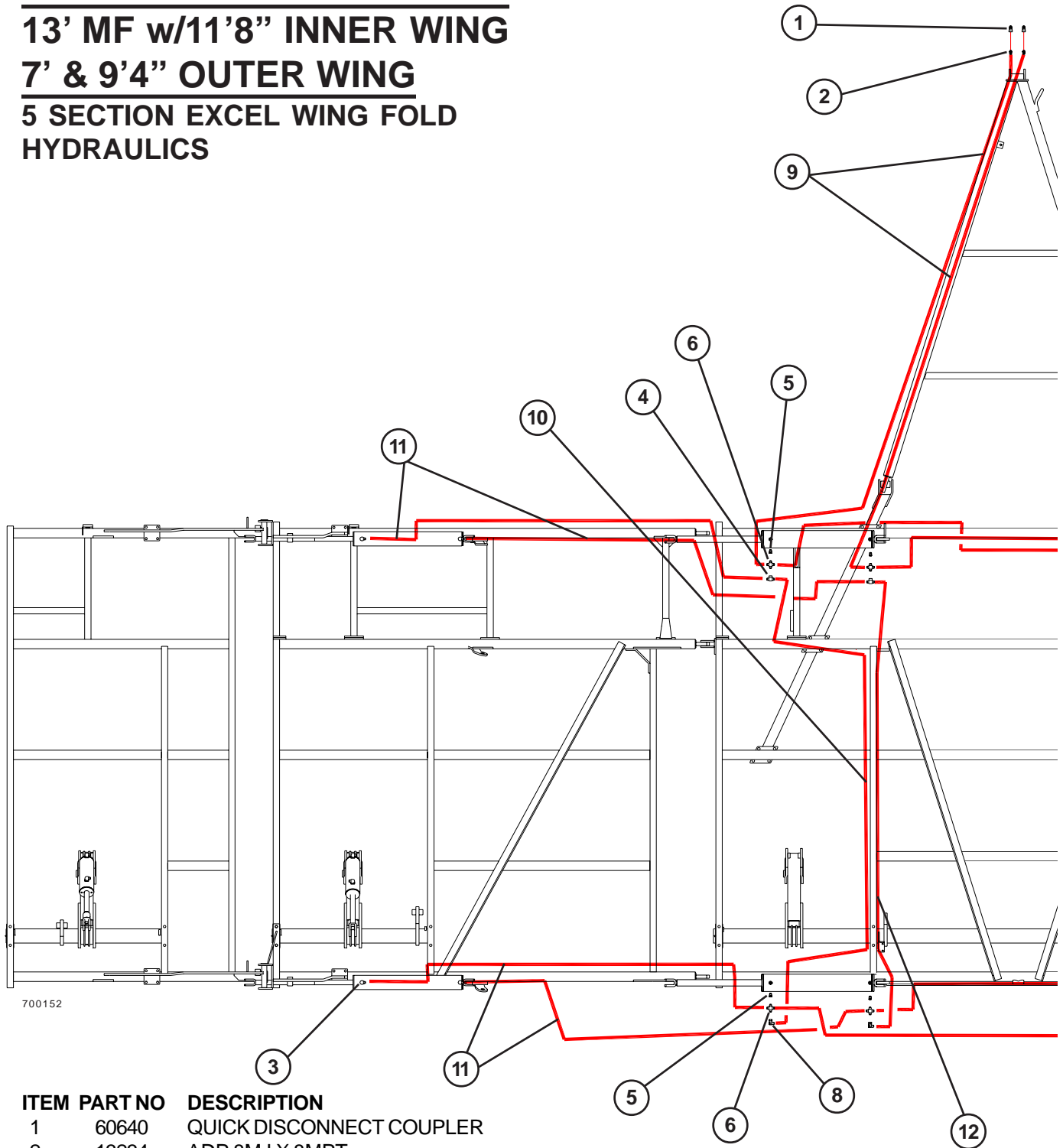
ITEM	PART NO	DESCRIPTION
1	60640	QUICK DISCONNECT COUPLER
2	13234	ADP 8MJ X 8MPT
3	25580	ELB 8MJ X 8MORB
4	13238	TEE 8MJ X 8MJ X 8MJ
5	234940	HYD HOSE 1/2"x216" FF
6	67576	HYD HOSE 3/8"x276" FF
7	13265	HYD HOSE 3/8"x56" FF
8	13484	HYD HOSE 3/8"x156" FF
9	13483	HYD HOSE 3/8"x120" FF
10	240604	HYD HOSE 3/8"x300" FF
11	233689	HYD HOSE 3/8"x180" FF
12	240611	HYD HOSE 3/8"x360" FF

ITEM	PART NO	DESCRIPTION
13	67683F1	HYD CYL 4"X12.56" BP FGS A519CY24
	239904	SEAL KIT 4" BP (FGS SK-ACXL4Q1S)
14	67688F1	HYD CYL 4"X10.8" BP FGAA519CY25
	239904	SEAL KIT 4" BP (FGS SK-ACXL4Q1S)
15	67687F1	HYD CYL 4"X9.3" BP FGS A519CY31
	239904	SEAL KIT 4" BP (FGS SK-ACXL4Q1S)
16	220061	1-1/2" CHANNEL LOCK 10"(NOT SHOWN)
17	42505	CYLINDER PIN KIT(NOT SHOWN)

**16' MF w/11'8" INNER WING
7' & 9'4" OUTER WING**
**5 SECTION QUADX DEPTH CONTROL
HYDRAULICS**



**13' MF w/11'8" INNER WING
7' & 9'4" OUTER WING
5 SECTION EXCEL WING FOLD
HYDRAULICS**

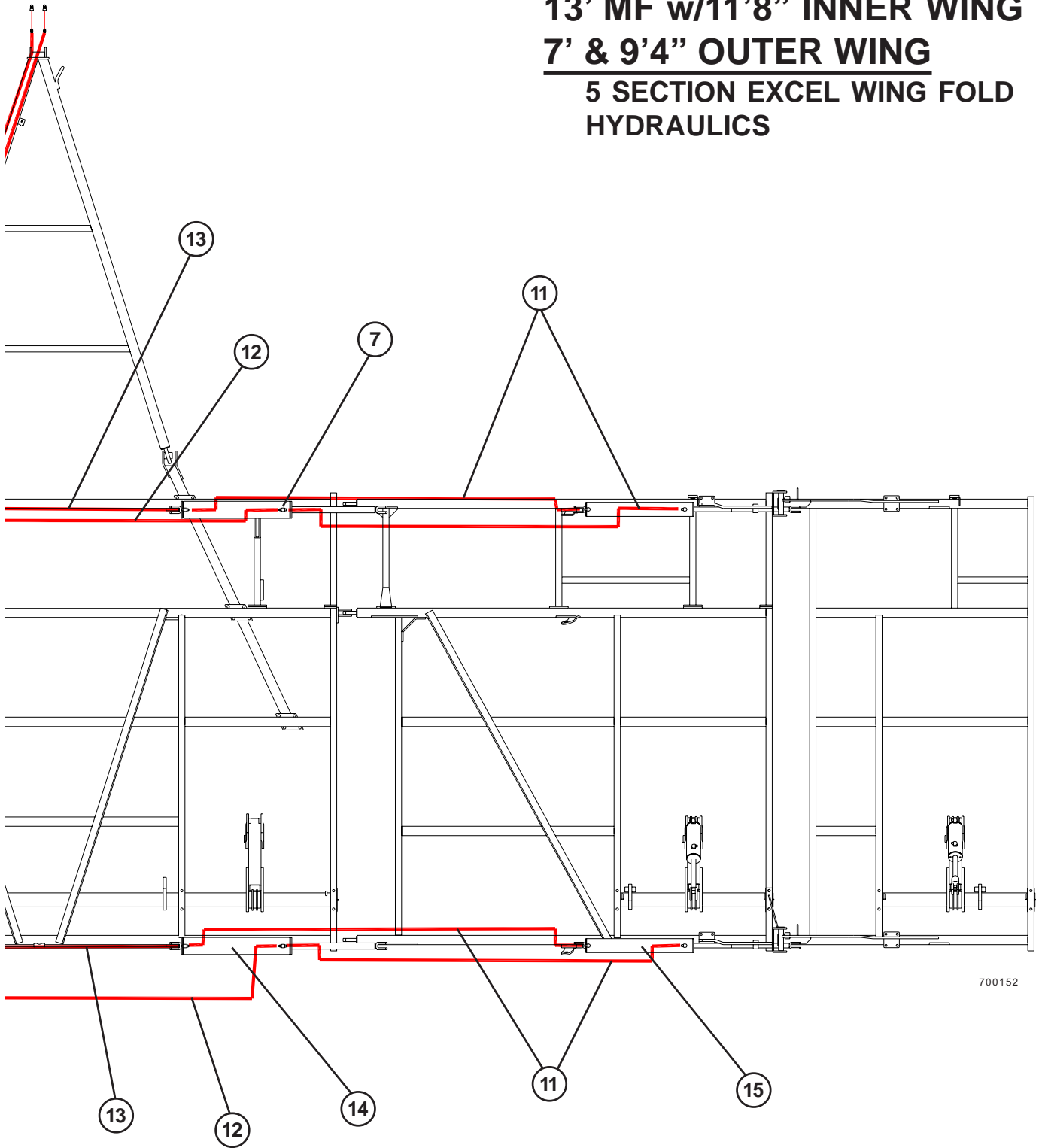


700152

ITEM	PART NO	DESCRIPTION
1	60640	QUICK DISCONNECT COUPLER
2	13234	ADP 8MJ X 8MPT
3	25580	ELB 8MJ X 8MORB
4	69080	TEE 8MJ X 8MJ X 8FJX
5	24004	ADP 8MORB X 8FJX
6	15910	CROSS 8MJ x 8MJ x 8MJ x 8MJ
7	56534	TEE 8MJ x 8MJ x 8MORB
8	25591	ELB 8MJ X 8FJX
9	233688	HYD HOSE 3/8"x252" FF
10	240605	HYD HOSE 3/8"x216" FF
11	235386	HYD HOSE 3/8"x137" FF
12	13484	HYD HOSE 3/8"x156" FF
13	13268	HYD HOSE 3/8"x78" FF

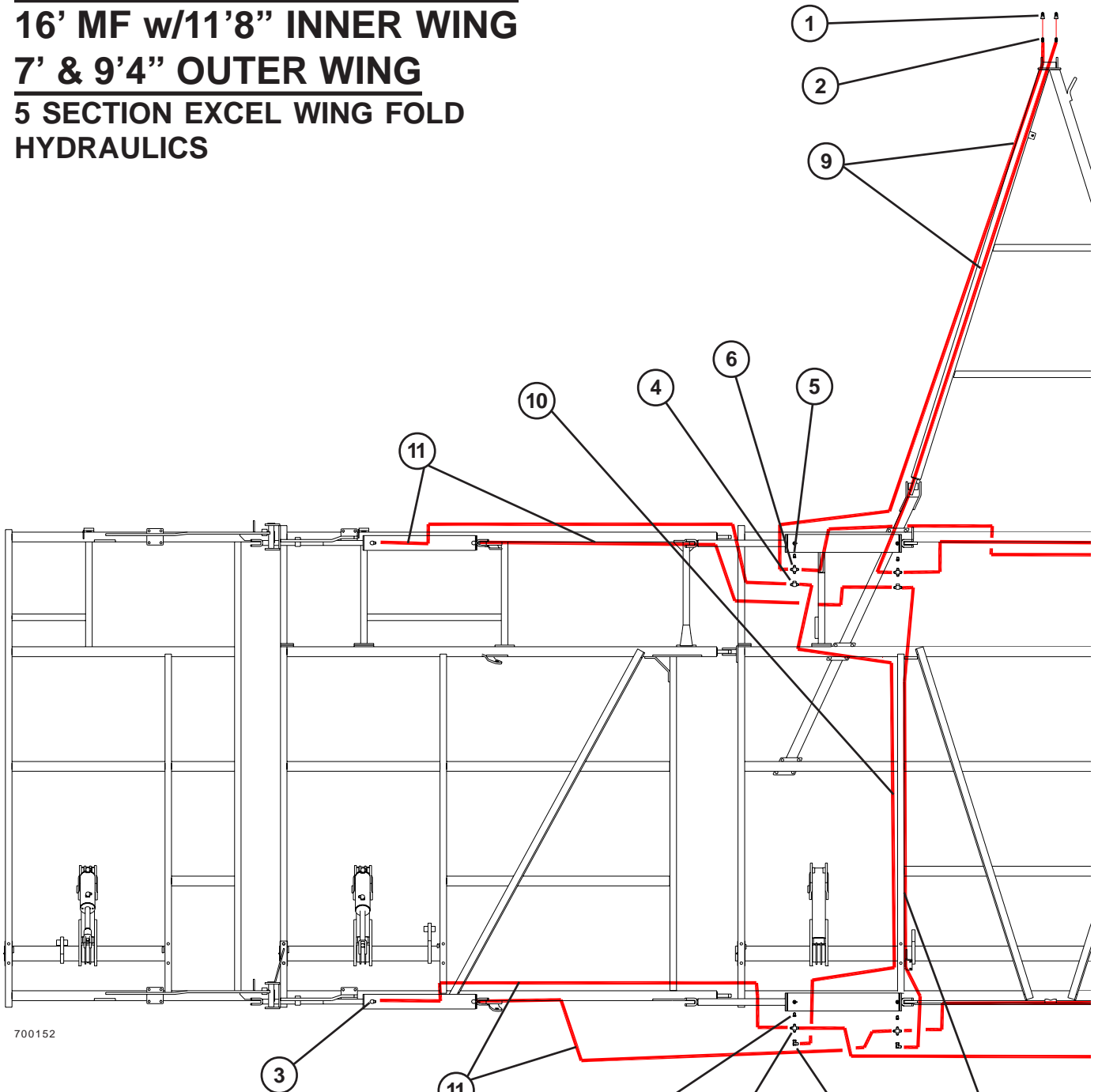
ITEM	PART NO	DESCRIPTION
14	20966F	HYD CYL 5X30 FGS #A519CY07
	233731	SEAL KIT 5IN (FGS-SK-ACBX5Q2Q)
15	51229F	HYD CYL 4X30 FGS #A519CY02
	233730	SEAL KIT 4IN (FGS-SK-ACBS4Q1S)

**13' MF w/11'8" INNER WING
7' & 9'4" OUTER WING
5 SECTION EXCEL WING FOLD
HYDRAULICS**



700152

16' MF w/11'8" INNER WING
7' & 9'4" OUTER WING
5 SECTION EXCEL WING FOLD
HYDRAULICS

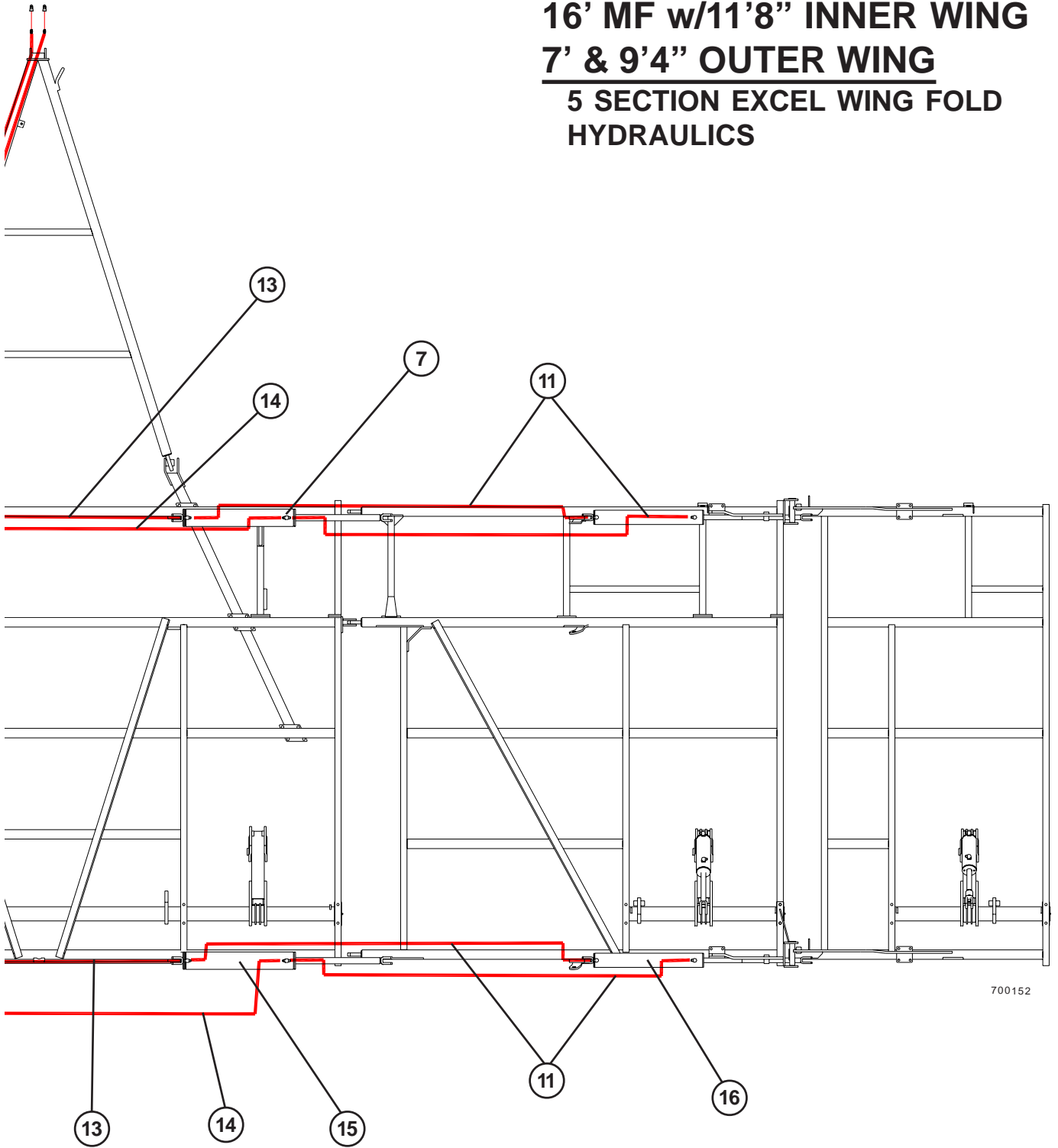


700152

ITEM	PART NO	DESCRIPTION
1	60640	QUICK DISCONNECT COUPLER
2	13234	ADP 8MJ X 8MPT
3	25580	ELB 8MJ X 8MORB
4	69080	TEE 8MJ X 8MJ X 8FJX
5	24004	ADP 8MORB X 8FJX
6	15910	CROSS 8MJ x 8MJ x 8MJ x 8MJ
7	56534	TEE 8MJ x 8MJ x 8MORB
8	25591	ELB 8MJ X 8FJX
9	233688	HYD HOSE 3/8"x252" FF
10	240605	HYD HOSE 3/8"x216" FF
11	235386	HYD HOSE 3/8"x137" FF
12	13484	HYD HOSE 3/8"x156" FF

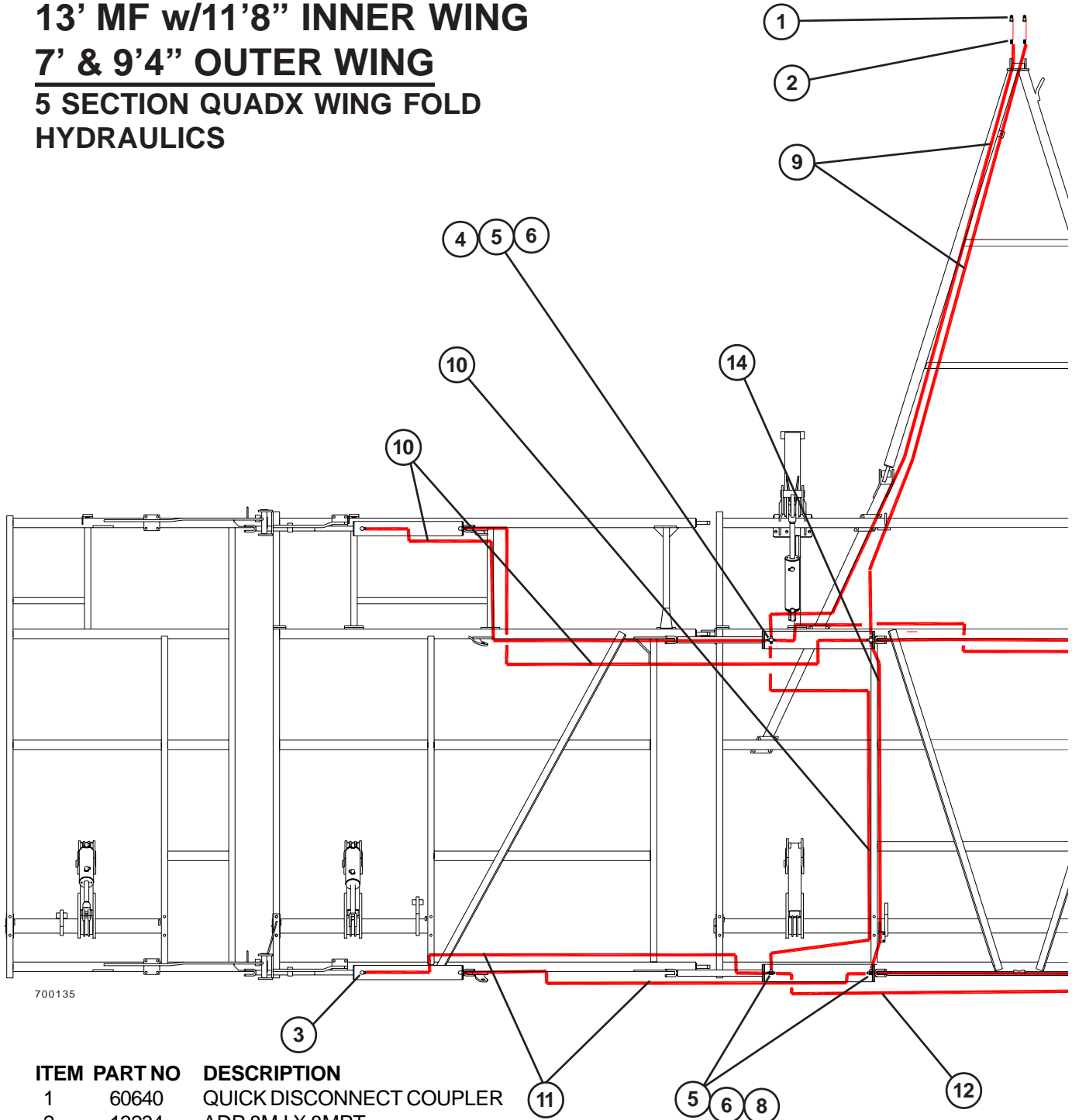
ITEM	PART NO	DESCRIPTION
13	235388	HYD HOSE 3/8"x102" FF
14	235387	HYD HOSE 3/8"x168" FF
15	20966F	HYD CYL 5X30 FGS #A519CY07
	233731	SEAL KIT 5IN (FGS-SK-ACBX5Q2Q)
16	51229F	HYD CYL 4X30 FGS #A519CY02
	233730	SEAL KIT 4IN (FGS-SK-ACBS4Q1S)

**16' MF w/11'8" INNER WING
7' & 9'4" OUTER WING
5 SECTION EXCEL WING FOLD
HYDRAULICS**



700152

**13' MF w/11'8" INNER WING
7' & 9'4" OUTER WING
5 SECTION QUADX WING FOLD
HYDRAULICS**

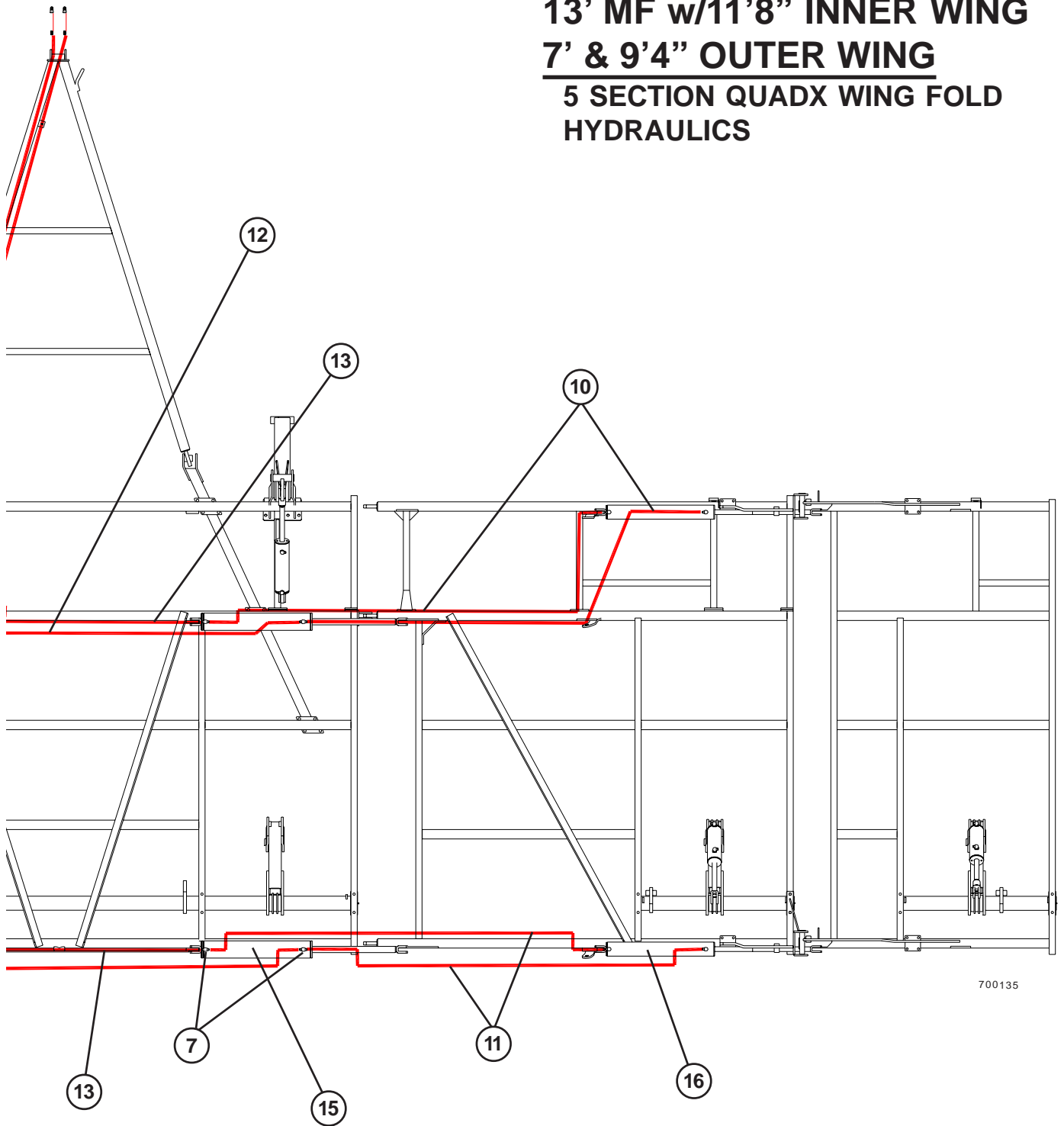


700135

ITEM	PART NO	DESCRIPTION
1	60640	QUICK DISCONNECT COUPLER
2	13234	ADP 8MJ X 8MPT
3	25580	ELB 8MJ X 8MORB
4	69080	TEE 8MJ X 8MJ X 8FJX
5	24004	ADP 8MORB X 8FJX
6	15910	CROSS 8MJ x 8MJ x 8MJ x 8MJ
7	56534	TEE 8MJ x 8MJ x 8MORB
8	25591	ELB 8MJ X 8FJX
9	233688	HYD HOSE 3/8"x252" FF
10	233689	HYD HOSE 3/8"x180" FF
11	235386	HYD HOSE 3/8"x137" FF
12	13484	HYD HOSE 3/8"x156" FF
13	13268	HYD HOSE 3/8"x78" FF
14	13483	HYD HOSE 3/8"x120" FF

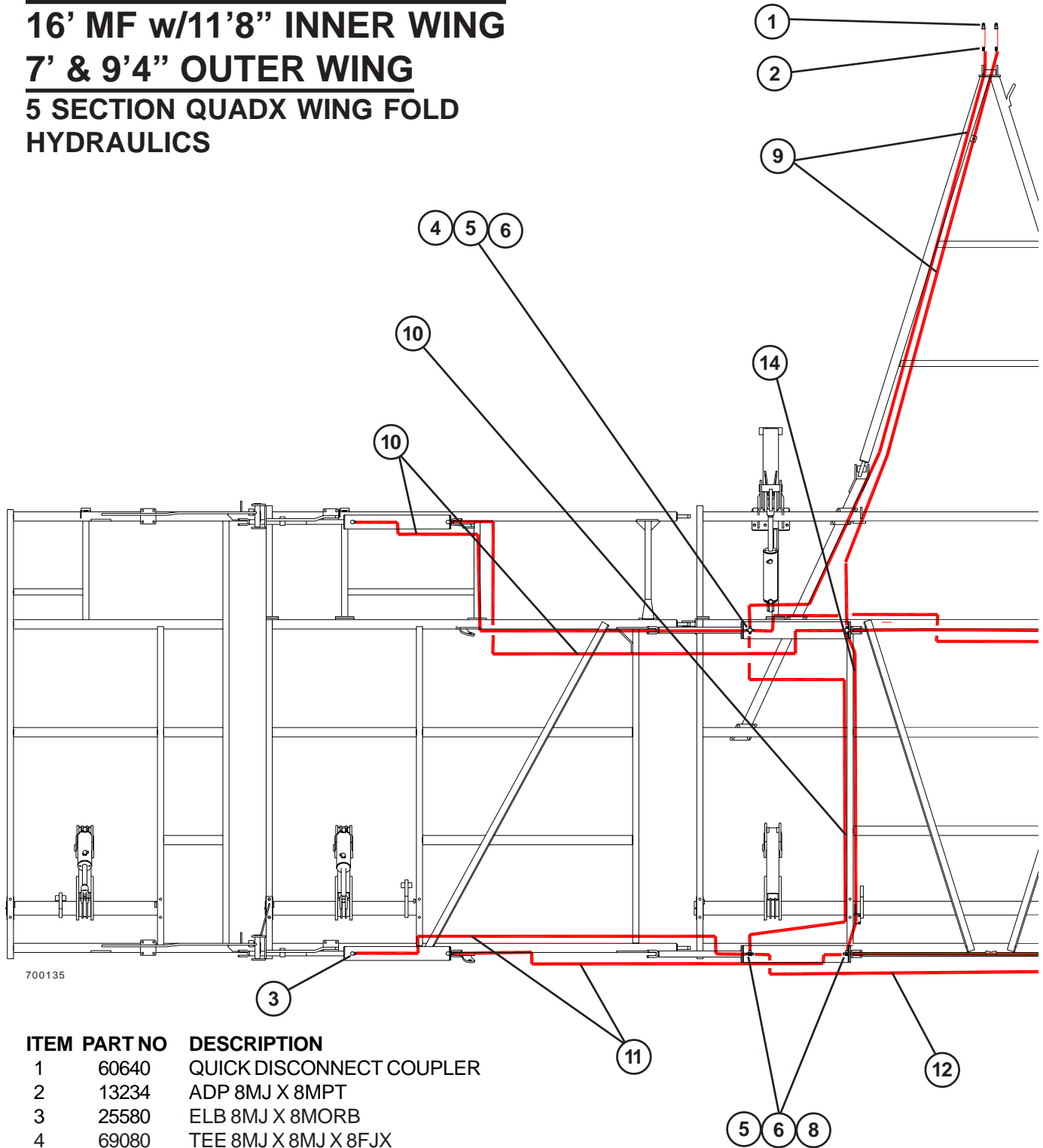
ITEM	PART NO	DESCRIPTION
15	20966F	HYD CYL 5X30 FGS #A519CY07
	233731	SEAL KIT 5IN (FGS-SK-ACBX5Q2Q)
16	51229F	HYD CYL 4X30 FGS #A519CY02
	233730	SEAL KIT 4IN (FGS-SK-ACBS4Q1S)

**13' MF w/11'8" INNER WING
7' & 9'4" OUTER WING
5 SECTION QUADX WING FOLD
HYDRAULICS**



700135

**16' MF w/11'8" INNER WING
7' & 9'4" OUTER WING
5 SECTION QUADX WING FOLD
HYDRAULICS**

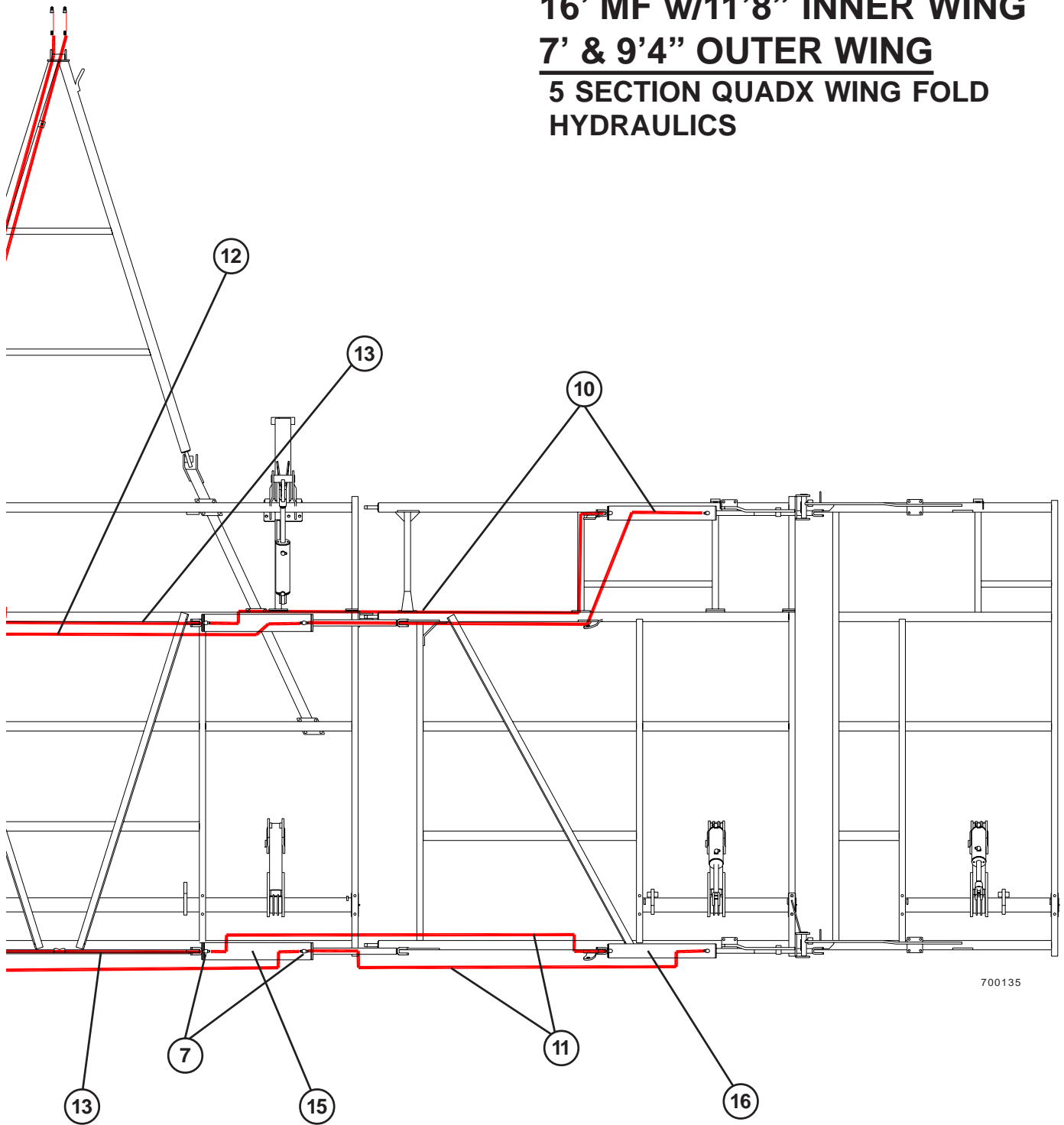


700135

ITEM	PART NO	DESCRIPTION
1	60640	QUICK DISCONNECT COUPLER
2	13234	ADP 8MJ X 8MPT
3	25580	ELB 8MJ X 8MORB
4	69080	TEE 8MJ X 8MJ X 8FJX
5	24004	ADP 8MORB X 8FJX
6	15910	CROSS 8MJ x 8MJ x 8MJ x 8MJ
7	56534	TEE 8MJ x 8MJ x 8MORB
8	25591	ELB 8MJ X 8FJX
9	233688	HYD HOSE 3/8"x252" FF
10	233689	HYD HOSE 3/8"x180" FF
11	235386	HYD HOSE 3/8"x137" FF
12	235387	HYD HOSE 3/8"x168" FF
13	235388	HYD HOSE 3/8"x102" FF
14	13483	HYD HOSE 3/8"x120" FF

ITEM	PART NO	DESCRIPTION
15	20966F	HYD CYL 5X30 FGS #A519CY07
	233731	SEAL KIT 5IN (FGS-SK-ACBX5Q2Q)
16	51229F	HYD CYL 4X30 FGS #A519CY02
	233730	SEAL KIT 4IN (FGS-SK-ACBS4Q1S)

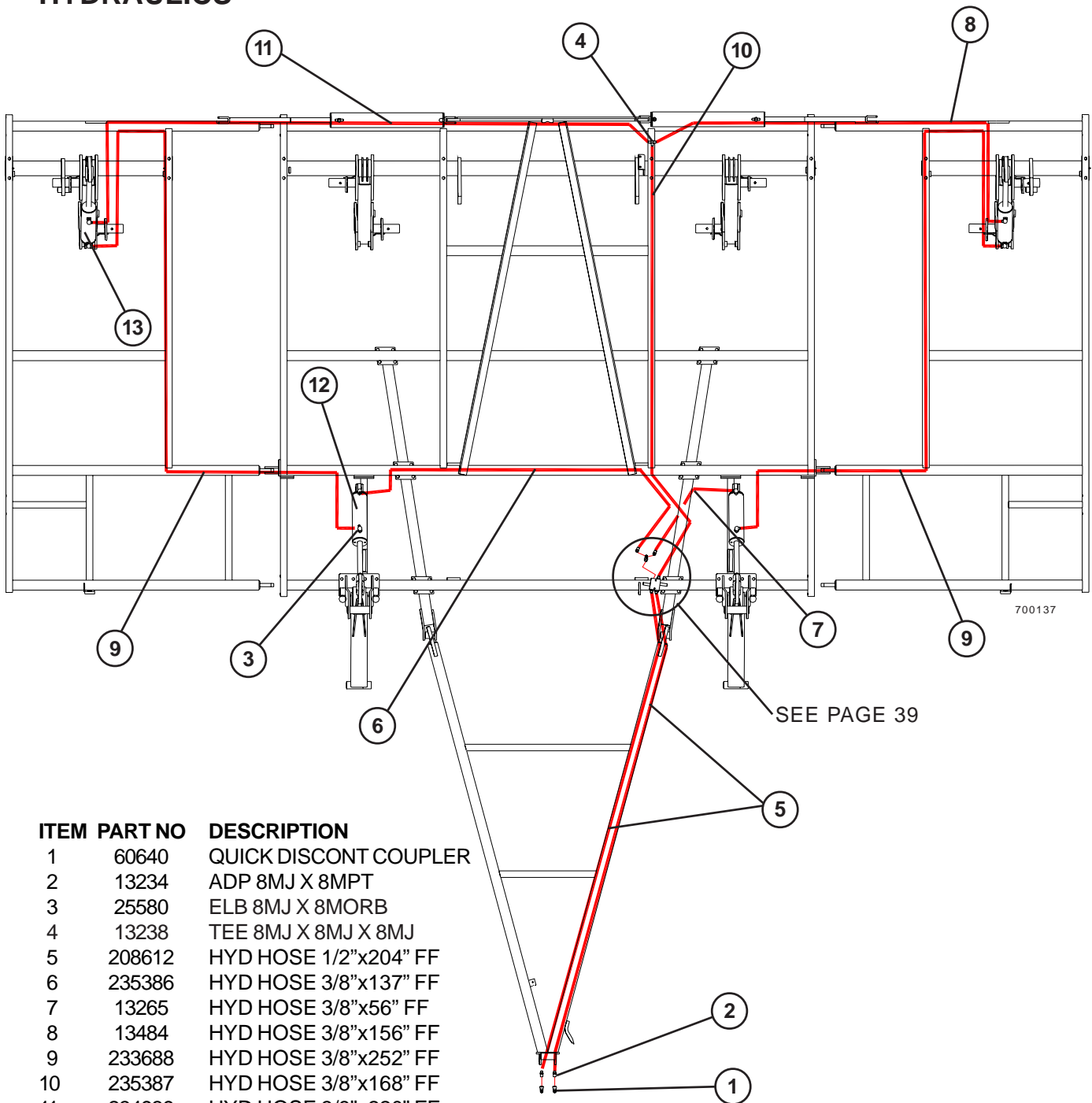
**16' MF w/11'8" INNER WING
7' & 9'4" OUTER WING
5 SECTION QUADX WING FOLD
HYDRAULICS**



700135

13' MF w/7' WING

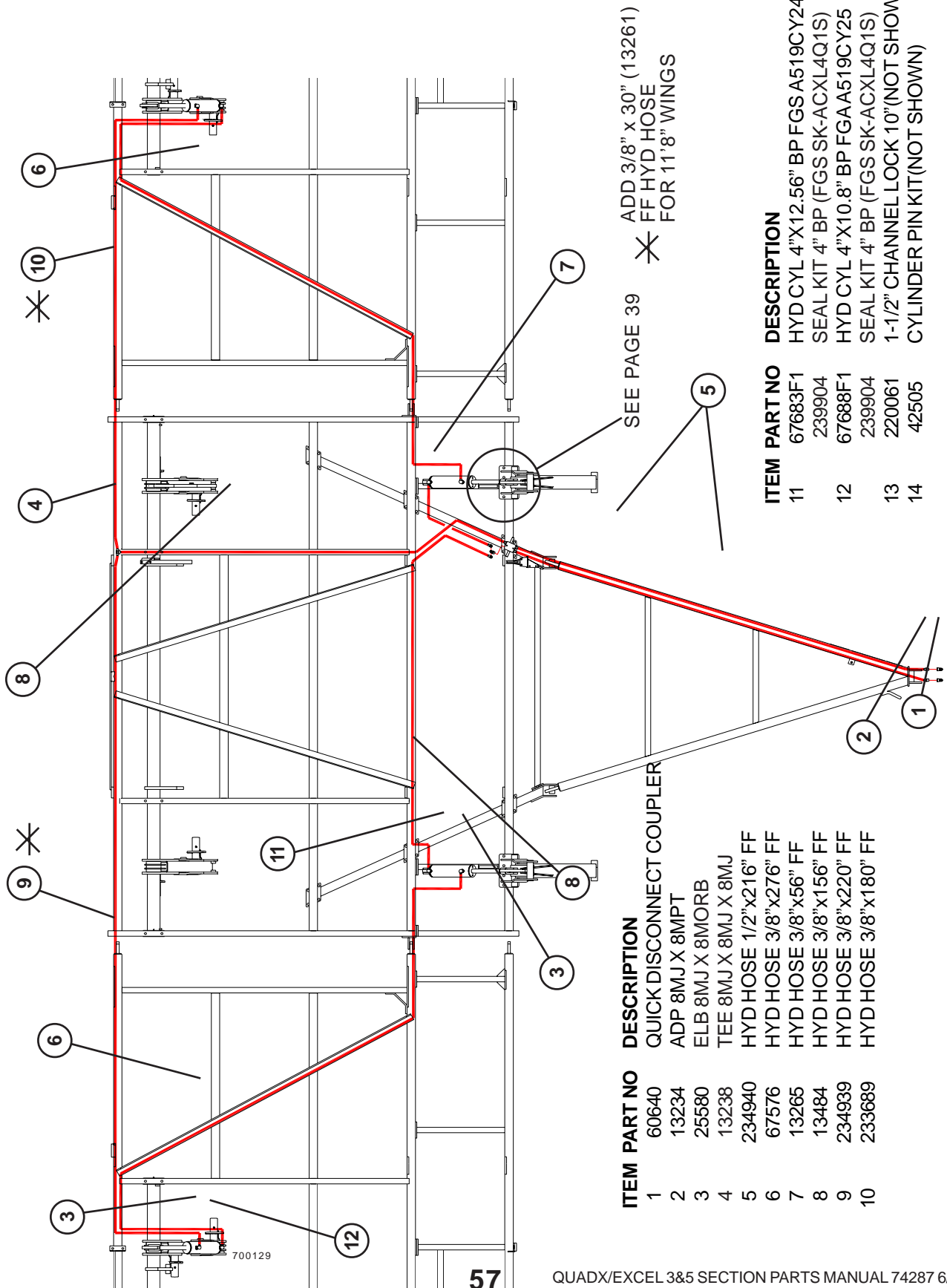
QUADX DEPTH CONTROL HYDRAULICS



ITEM	PART NO	DESCRIPTION
1	60640	QUICK DISCONT COUPLER
2	13234	ADP 8MJ X 8MPT
3	25580	ELB 8MJ X 8MORB
4	13238	TEE 8MJ X 8MJ X 8MJ
5	208612	HYD HOSE 1/2"x204" FF
6	235386	HYD HOSE 3/8"x137" FF
7	13265	HYD HOSE 3/8"x56" FF
8	13484	HYD HOSE 3/8"x156" FF
9	233688	HYD HOSE 3/8"x252" FF
10	235387	HYD HOSE 3/8"x168" FF
11	234939	HYD HOSE 3/8"x220" FF
12	67683F1	HYD CYL 4"X12.56" BP FGS A519CY24
	239904	SEAL KIT 4" BP (FGS SK-ACXL4Q1S)
13	67688F1	HYD CYL 4"X10.8" BP FGAA519CY25
	239904	SEAL KIT 4" BP (FGS SK-ACXL4Q1S)
14	220061	1-1/2" CHANNEL LOCK 10"(NOT SHOWN)
15	42505	CYLINDER PIN KIT(NOT SHOWN)

13' MF w/9' 4" & 11' 8" WING

QUADX DEPTH CONTROL HYDRAULICS



ADD 3/8" x 30" (13261)
FF HYD HOSE
FOR 11'8" WINGS

SEE PAGE 39

ITEM PART NO DESCRIPTION

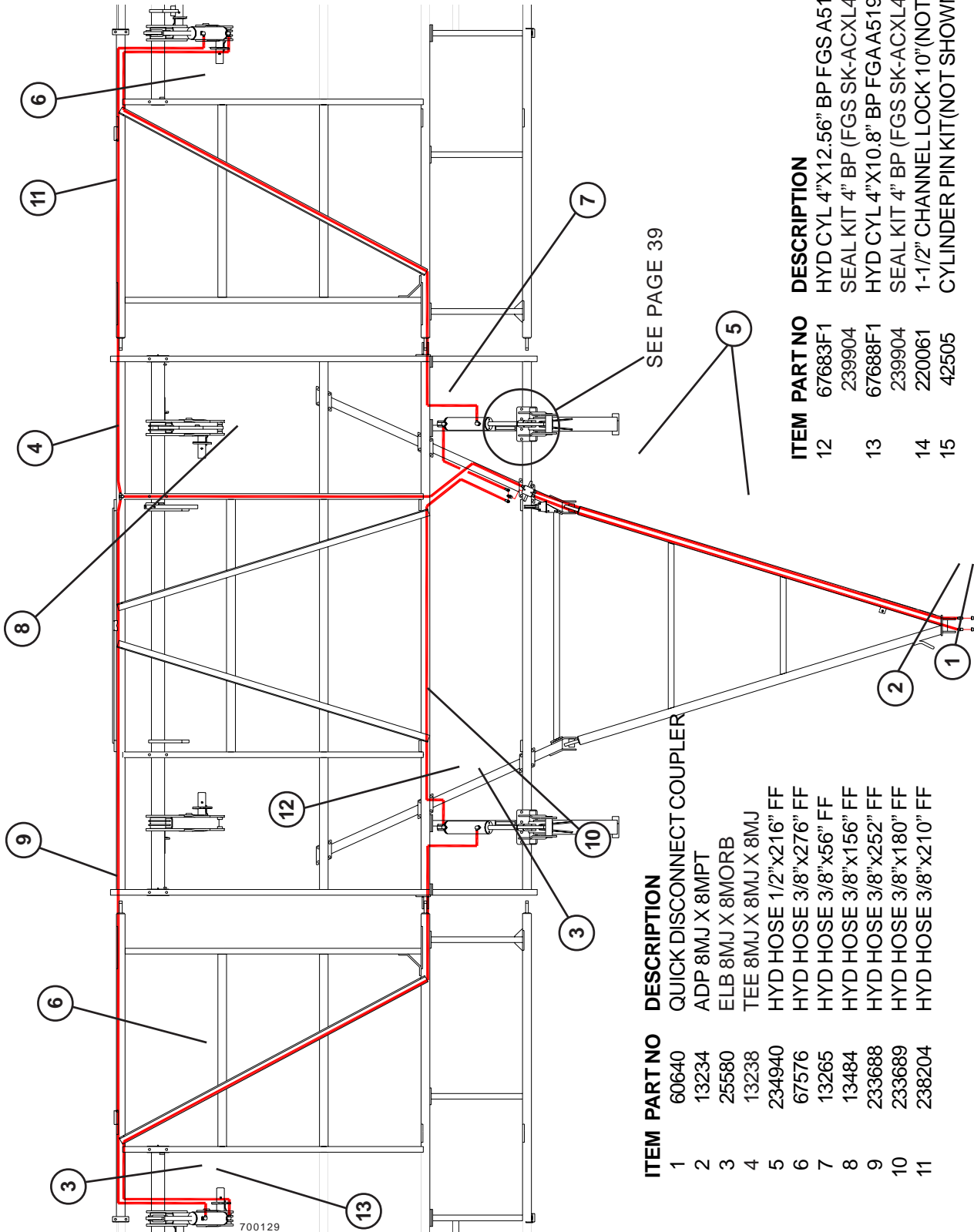
- 1 60640 QUICK DISCONNECT COUPLER
- 2 ADP 8MJ X 8MPT
- 3 ELB 8MJ X 8MORB
- 4 TEE 8MJ X 8MJ X 8MJ
- 5 HYD HOSE 1/2"x216" FF
- 6 HYD HOSE 3/8"x276" FF
- 7 HYD HOSE 3/8"x56" FF
- 8 HYD HOSE 3/8"x156" FF
- 9 HYD HOSE 3/8"x220" FF
- 10 HYD HOSE 3/8"x180" FF

ITEM PART NO DESCRIPTION

- 11 67683F1 HYD CYL 4"x12.56" BP FGS A519CY24
- 12 239904 SEAL KIT 4" BP (FGS SK-ACXL4Q1S)
- 13 67688F1 HYD CYL 4"x10.8" BP FGAA519CY25
- 14 239904 SEAL KIT 4" BP (FGS SK-ACXL4Q1S)
- 15 220061 1-1/2" CHANNEL LOCK 10"(NOT SHOWN)
- 16 42505 CYLINDER PIN KIT(NOT SHOWN)

16FT MF w/11' 8" WING

QUADX DEPTH CONTROL HYDRAULICS



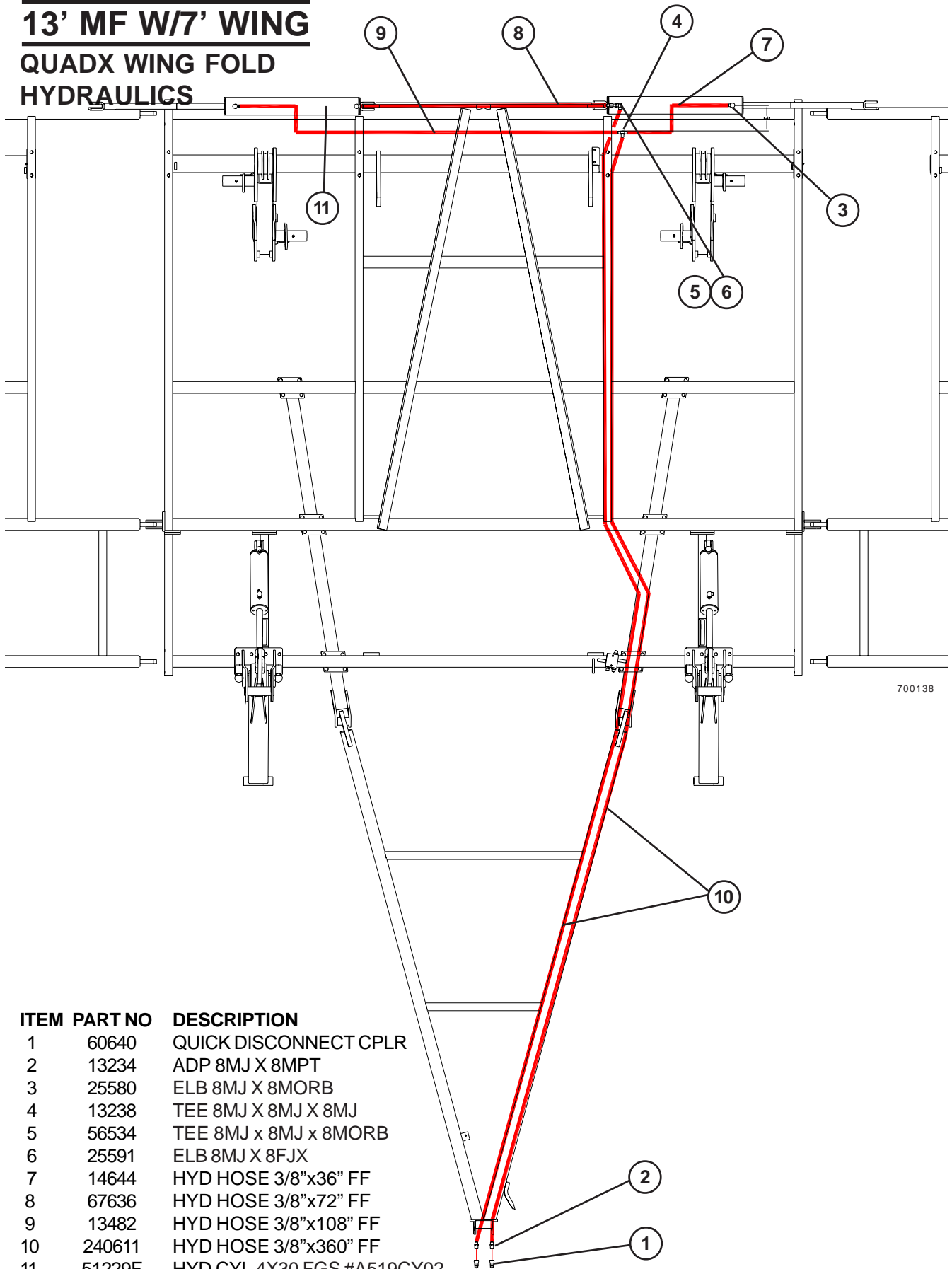
ITEM	PART NO	DESCRIPTION
12	67683F1	HYD CYL 4"X12.56" BP FGS A519CY24
	239904	SEAL KIT 4" BP (FGS SK-ACXL4Q1S)
13	67688F1	HYD CYL 4"X10.8" BP FGA A519CY25
	239904	SEAL KIT 4" BP (FGS SK-ACXL4Q1S)
14	220061	1-1/2" CHANNEL LOCK 10"(NOT SHOWN)
15	42505	CYLINDER PIN KIT(NOT SHOWN)

ITEM	PART NO	DESCRIPTION
1	60640	QUICK DISCONNECT COUPLER
2	13234	ADP 8MJ X 8MPT
3	25580	ELB 8MJ X 8MORB
4	13238	TEE 8MJ X 8MJ X 8MJ
5	234940	HYD HOSE 1/2"x216" FF
6	67576	HYD HOSE 3/8"x276" FF
7	13265	HYD HOSE 3/8"x56" FF
8	13484	HYD HOSE 3/8"x156" FF
9	233688	HYD HOSE 3/8"x252" FF
10	233689	HYD HOSE 3/8"x180" FF
11	238204	HYD HOSE 3/8"x210" FF

13' MF W/7' WING

QUADX WING FOLD

HYDRAULICS

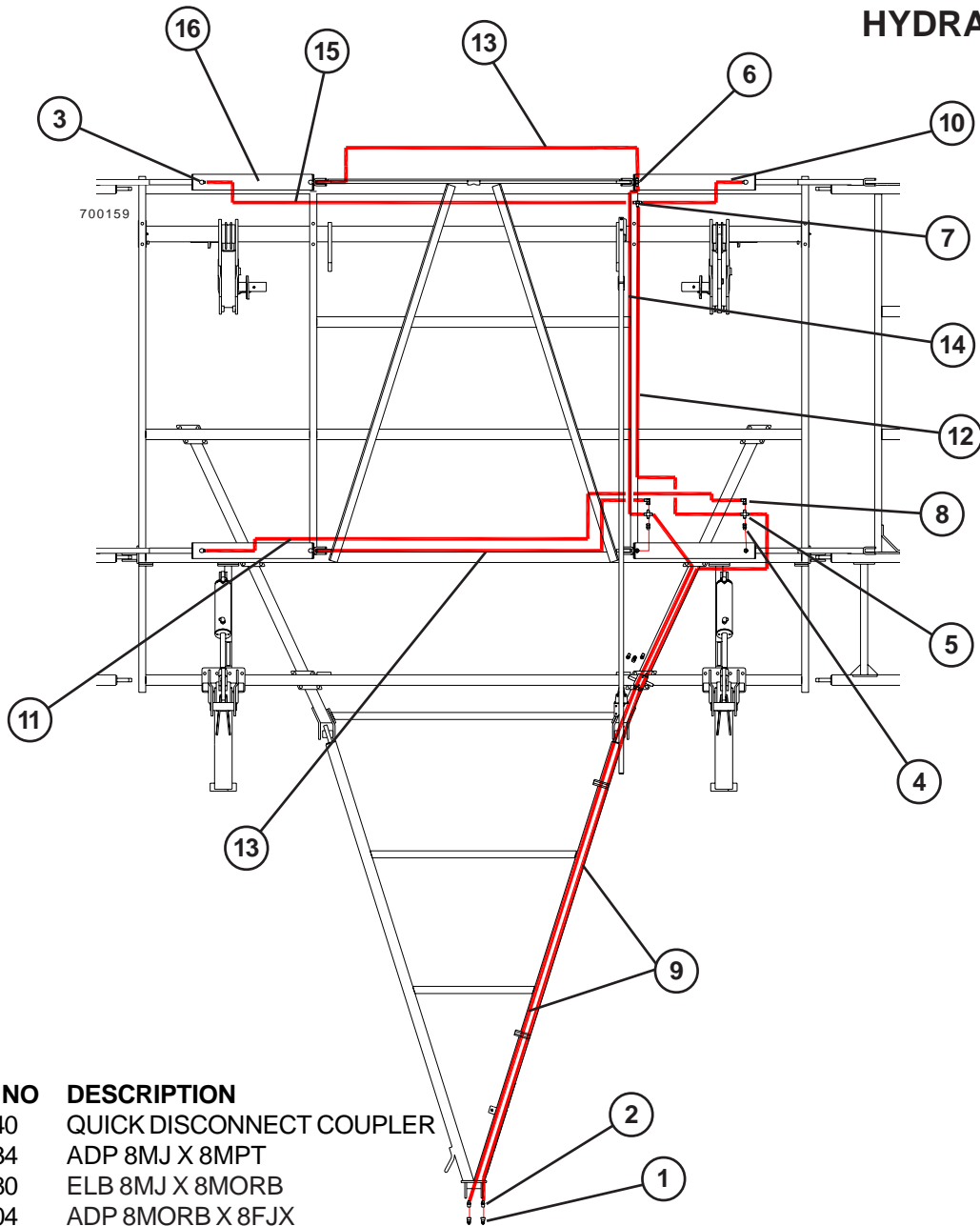


700138

ITEM	PART NO	DESCRIPTION
1	60640	QUICK DISCONNECT CPLR
2	13234	ADP 8MJ X 8MPT
3	25580	ELB 8MJ X 8MORB
4	13238	TEE 8MJ X 8MJ X 8MJ
5	56534	TEE 8MJ x 8MJ x 8MORB
6	25591	ELB 8MJ X 8FJX
7	14644	HYD HOSE 3/8"x36" FF
8	67636	HYD HOSE 3/8"x72" FF
9	13482	HYD HOSE 3/8"x108" FF
10	240611	HYD HOSE 3/8"x360" FF
11	51229F	HYD CYL 4X30 FGS #A519CY02
	233730	SEAL KIT 4IN (FGS-SK-ACBS4Q1S)

13' MF w/9' 4" & 11' 8" WINGS

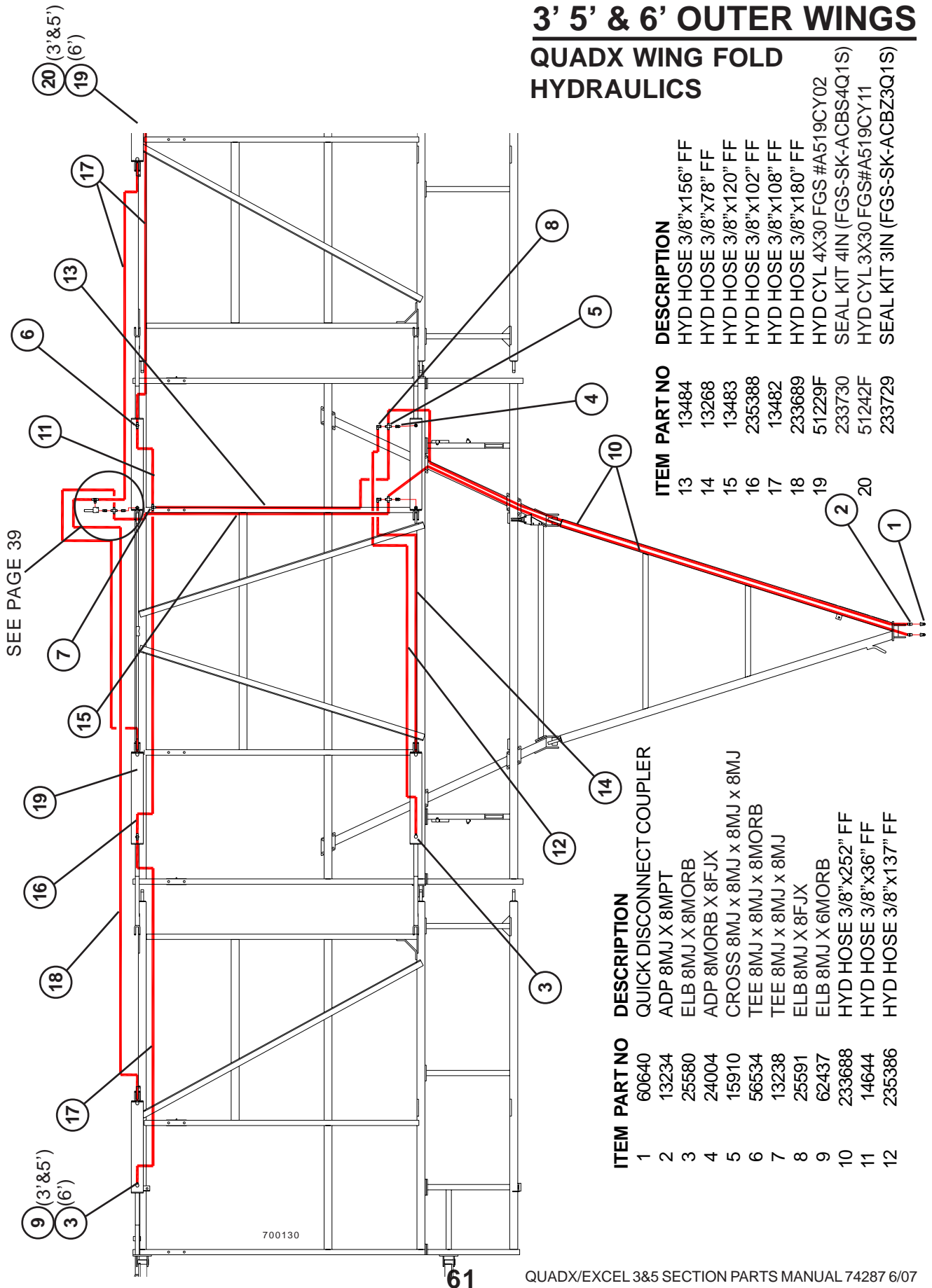
QUADX WING FOLD HYDRAULICS



ITEM	PART NO	DESCRIPTION
1	60640	QUICK DISCONNECT COUPLER
2	13234	ADP 8MJ X 8MPT
3	25580	ELB 8MJ X 8MORB
4	24004	ADP 8MORB X 8FJX
5	15910	CROSS 8MJ x 8MJ x 8MJ x 8MJ
6	56534	TEE 8MJ x 8MJ x 8MORB
7	13238	TEE 8MJ x 8MJ x 8MJ
8	25591	ELB 8MJ X 8FJX
9	233688	HYD HOSE 3/8"x252" FF
10	14644	HYD HOSE 3/8"x36" FF
11	235386	HYD HOSE 3/8"x137" FF
12	13484	HYD HOSE 3/8"x156" FF
13	13268	HYD HOSE 3/8"x78" FF
14	13483	HYD HOSE 3/8"x120" FF
15	235388	HYD HOSE 3/8"x102" FF
16	51229F	HYD CYL 4X30 FGS #A519CY02
	233730	SEAL KIT 4IN (FGS-SK-ACBS4Q1S)

13' MF w/9' 4" INNER WING 3' 5' & 6' OUTER WINGS

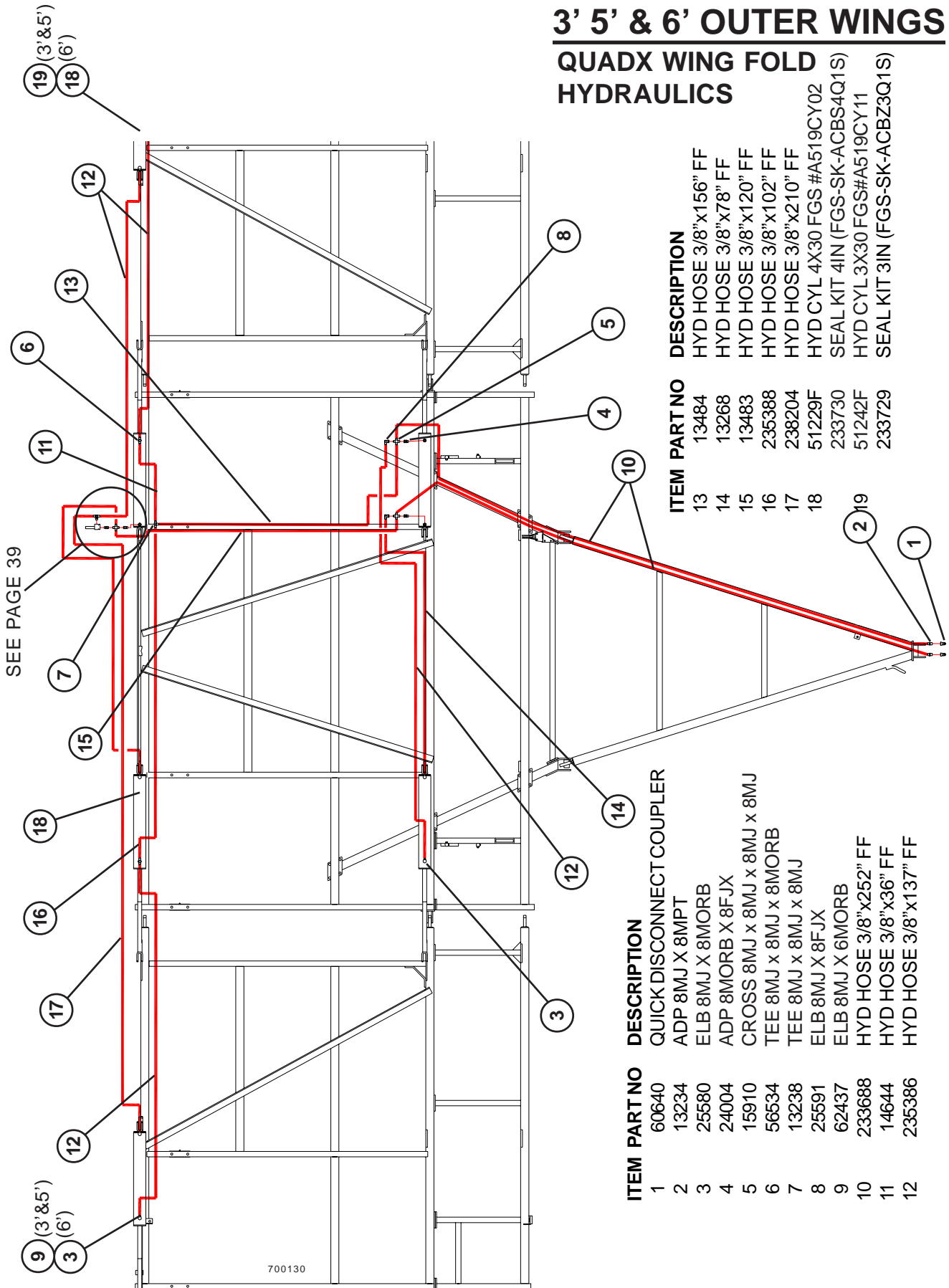
QUADX WING FOLD HYDRAULICS



ITEM PART NO	DESCRIPTION
1	60640 QUICK DISCONNECT COUPLER
2	13234 ADP 8MJ X 8MPT
3	25580 ELB 8MJ X 8MORB
4	24004 ADP 8MORB X 8FJX
5	15910 CROSS 8MJ x 8MJ x 8MJ x 8MJ
6	56534 TEE 8MJ x 8MJ x 8MORB
7	13238 TEE 8MJ x 8MJ x 8MJ
8	25591 ELB 8MJ X 8FJX
9	62437 ELB 8MJ X 6MORB
10	233688 HYD HOSE 3/8"x252" FF
11	14644 HYD HOSE 3/8"x36" FF
12	235386 HYD HOSE 3/8"x137" FF

ITEM PART NO	DESCRIPTION
13	13484 HYD HOSE 3/8"x156" FF
14	13268 HYD HOSE 3/8"x78" FF
15	13483 HYD HOSE 3/8"x120" FF
16	235388 HYD HOSE 3/8"x102" FF
17	13482 HYD HOSE 3/8"x108" FF
18	233689 HYD HOSE 3/8"x180" FF
19	51229F HYD CYL 4X30 FGS #A519CY02
20	233730 SEAL KIT 4IN (FGS-SK-ACBS4Q1S)
	51242F HYD CYL 3X30 FGS#A519CY11
	233729 SEAL KIT 3IN (FGS-SK-ACBZ3Q1S)

13' MF w/11' 8" INNER WING 3' 5' & 6' OUTER WINGS QUADX WING FOLD HYDRAULICS

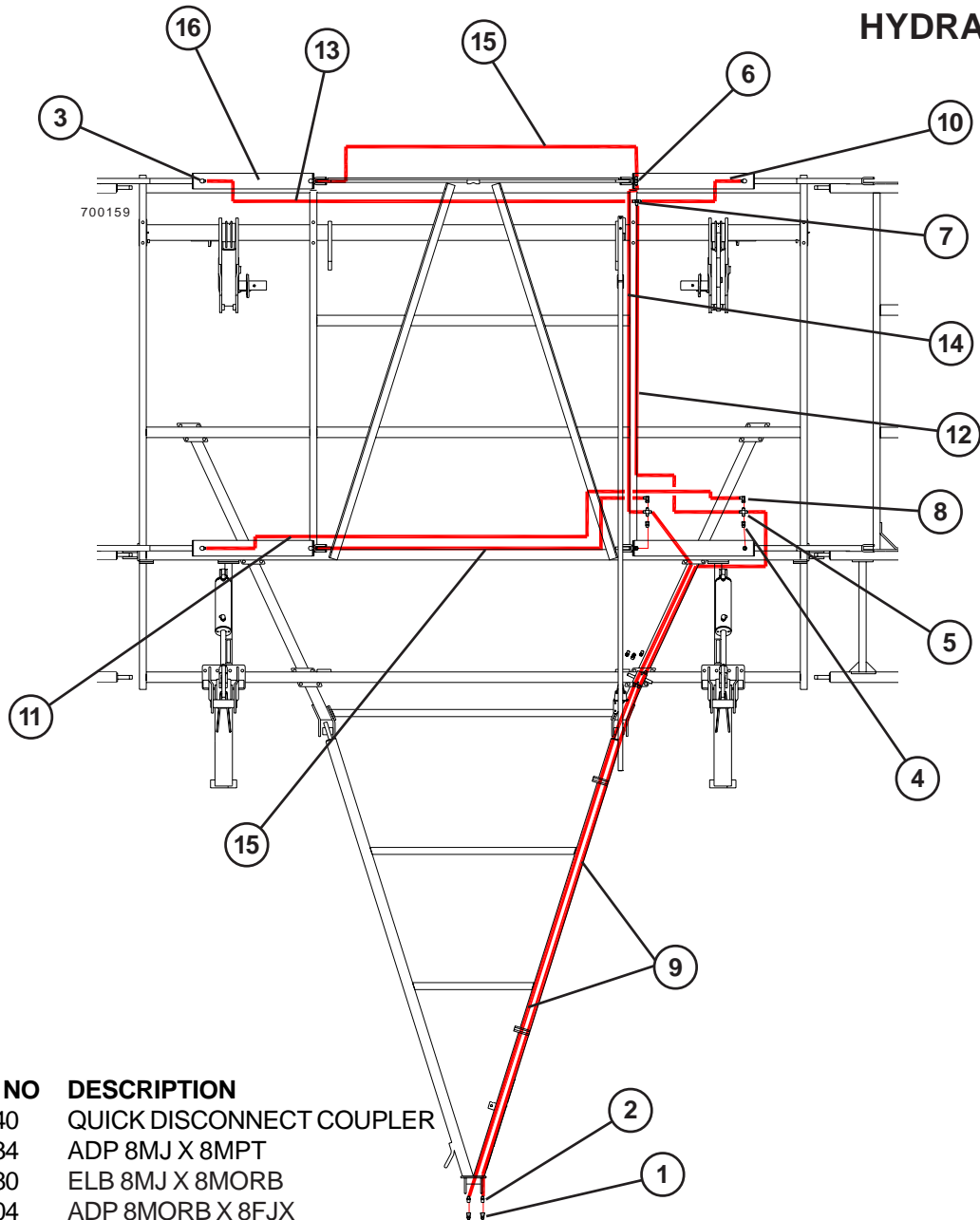


ITEM	PART NO	DESCRIPTION
1	60640	QUICK DISCONNECT COUPLER
2	13234	ADP 8MJ X 8MPT
3	25580	ELB 8MJ X 8MORB
4	24004	ADP 8MORB X 8FJX
5	15910	CROSS 8MJ x 8MJ x 8MJ x 8MJ
6	56534	TEE 8MJ x 8MJ x 8MORB
7	13238	TEE 8MJ x 8MJ x 8MJ
8	25591	ELB 8MJ X 8FJX
9	62437	ELB 8MJ X 6MORB
10	233688	HYD HOSE 3/8"x252" FF
11	14644	HYD HOSE 3/8"x36" FF
12	235386	HYD HOSE 3/8"x137" FF

ITEM	PART NO	DESCRIPTION
13	13484	HYD HOSE 3/8"x156" FF
14	13268	HYD HOSE 3/8"x78" FF
15	13483	HYD HOSE 3/8"x120" FF
16	235388	HYD HOSE 3/8"x102" FF
17	238204	HYD HOSE 3/8"x210" FF
18	51229F	HYD CYL 4X30 FGS #A519CY02
	233730	SEAL KIT 4IN (FGS-SK-ACBS4Q1S)
	51242F	HYD CYL 3X30 FGS#A519CY11
	233729	SEAL KIT 3IN (FGS-SK-ACBZ3Q1S)

16' MF w/11' 8" WINGS

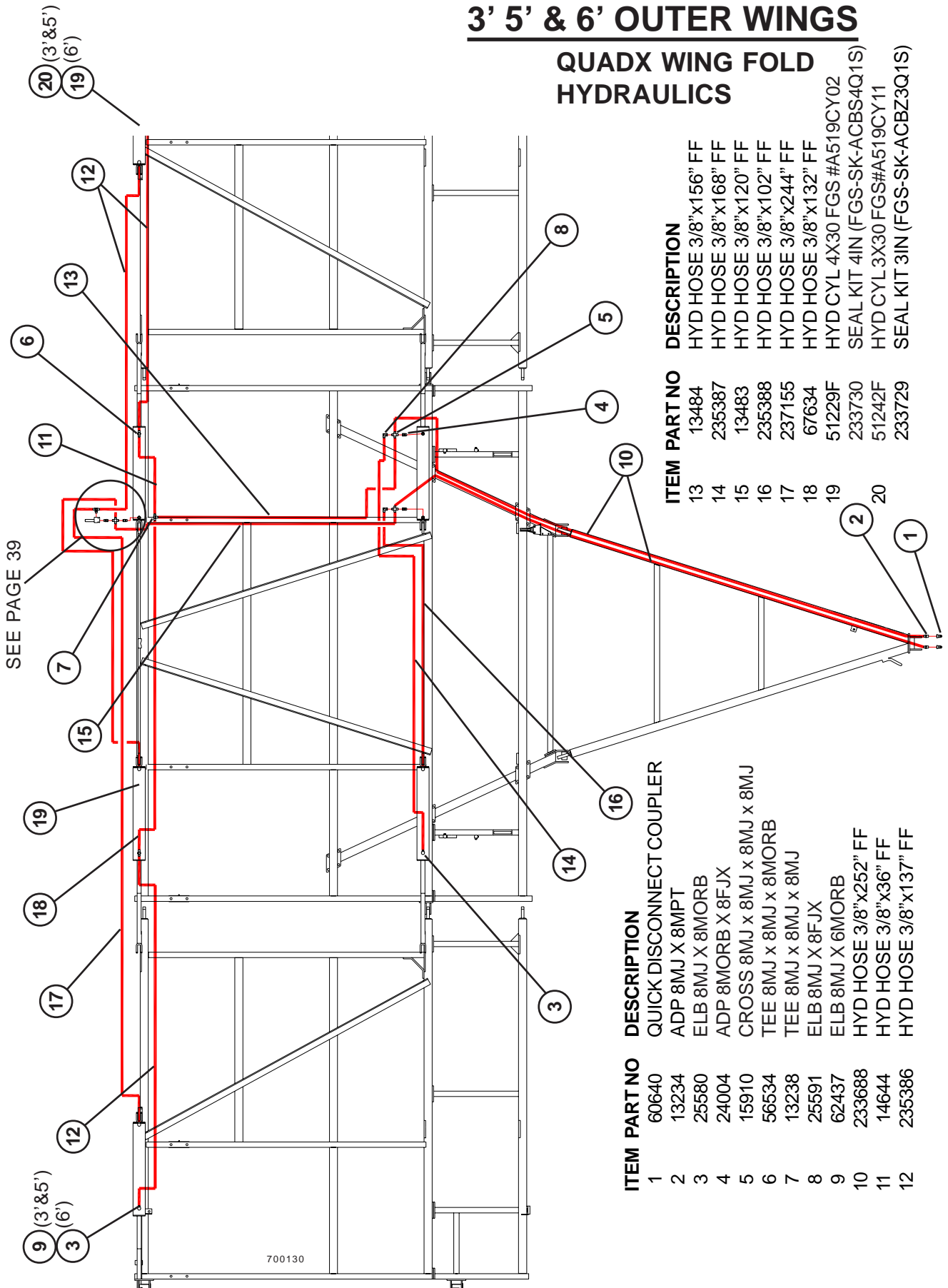
QUADX WING FOLD HYDRAULICS



ITEM	PART NO	DESCRIPTION
1	60640	QUICK DISCONNECT COUPLER
2	13234	ADP 8MJ X 8MPT
3	25580	ELB 8MJ X 8MORB
4	24004	ADP 8MORB X 8FJX
5	15910	CROSS 8MJ x 8MJ x 8MJ x 8MJ
6	56534	TEE 8MJ x 8MJ x 8MORB
7	13238	TEE 8MJ x 8MJ x 8MJ
8	25591	ELB 8MJ X 8FJX
9	233688	HYD HOSE 3/8"x252" FF
10	14644	HYD HOSE 3/8"x36" FF
11	235387	HYD HOSE 3/8"x168" FF
12	13484	HYD HOSE 3/8"x156" FF
13	67634	HYD HOSE 3/8"x132" FF
14	13483	HYD HOSE 3/8"x120" FF
15	235388	HYD HOSE 3/8"x102" FF
16	51229F	HYD CYL 4X30 FGS #A519CY02
	233730	SEAL KIT 4IN (FGS-SK-ACBS4Q1S)

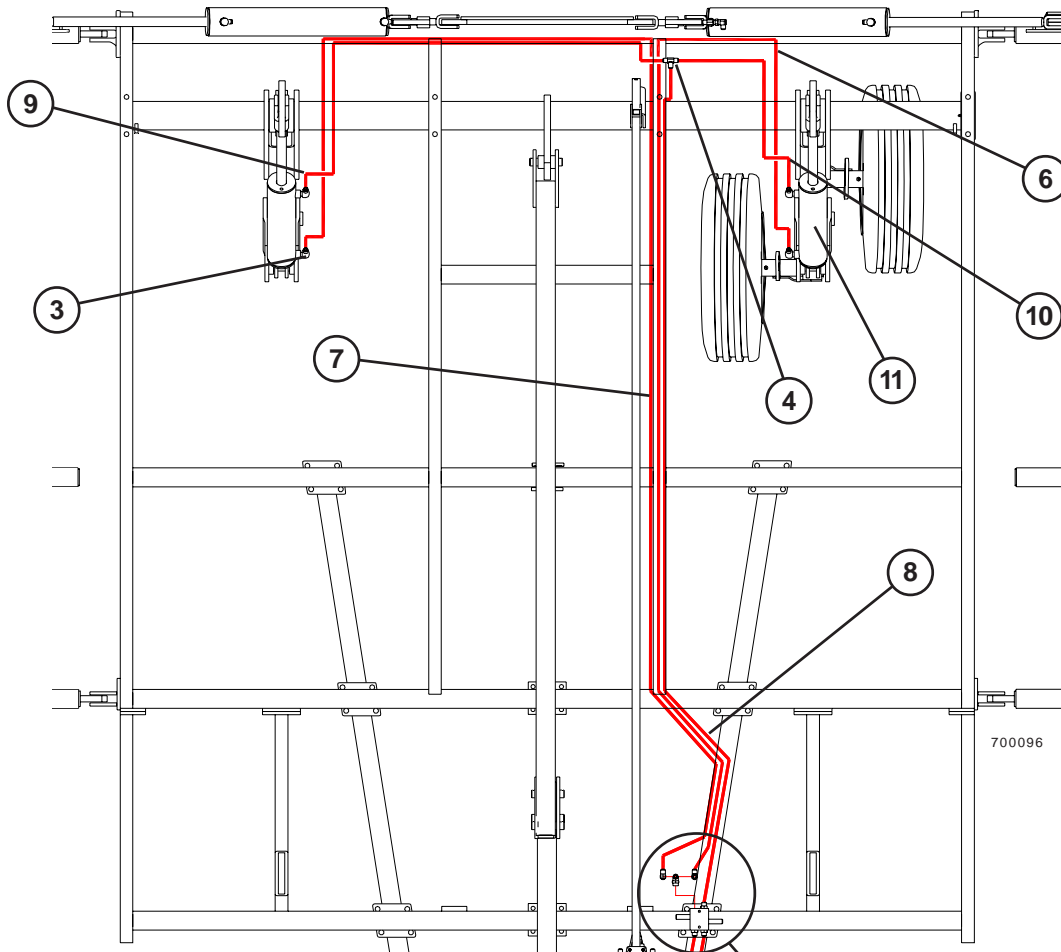
16' MF w/11' 8" INNER WING 3' 5' & 6' OUTER WINGS

QUADX WING FOLD HYDRAULICS



ITEM PART NO	DESCRIPTION
13	13484 HYD HOSE 3/8"x156" FF
14	235387 HYD HOSE 3/8"x168" FF
15	13483 HYD HOSE 3/8"x120" FF
16	235388 HYD HOSE 3/8"x102" FF
17	237155 HYD HOSE 3/8"x244" FF
18	67634 HYD HOSE 3/8"x132" FF
19	51229F HYD CYL 4X30 FGS #A519CY02
20	233730 SEAL KIT 4IN (FGS-SK-ACBS4Q1S)
	51242F HYD CYL 3X30 FGS#A519CY11
	233729 SEAL KIT 3IN (FGS-SK-ACBZ3Q1S)

ITEM PART NO	DESCRIPTION
1	60640 QUICK DISCONNECT COUPLER
2	13234 ADP 8MJ X 8MPT
3	25580 ELB 8MJ X 8MORB
4	24004 ADP 8MORB X 8FJX
5	15910 CROSS 8MJ x 8MJ x 8MJ x 8MJ
6	56534 TEE 8MJ x 8MJ x 8MORB
7	13238 TEE 8MJ x 8MJ x 8MJ
8	25591 ELB 8MJ X 8FJX
9	62437 ELB 8MJ X 6MORB
10	233688 HYD HOSE 3/8"x252" FF
11	14644 HYD HOSE 3/8"x36" FF
12	235386 HYD HOSE 3/8"x137" FF

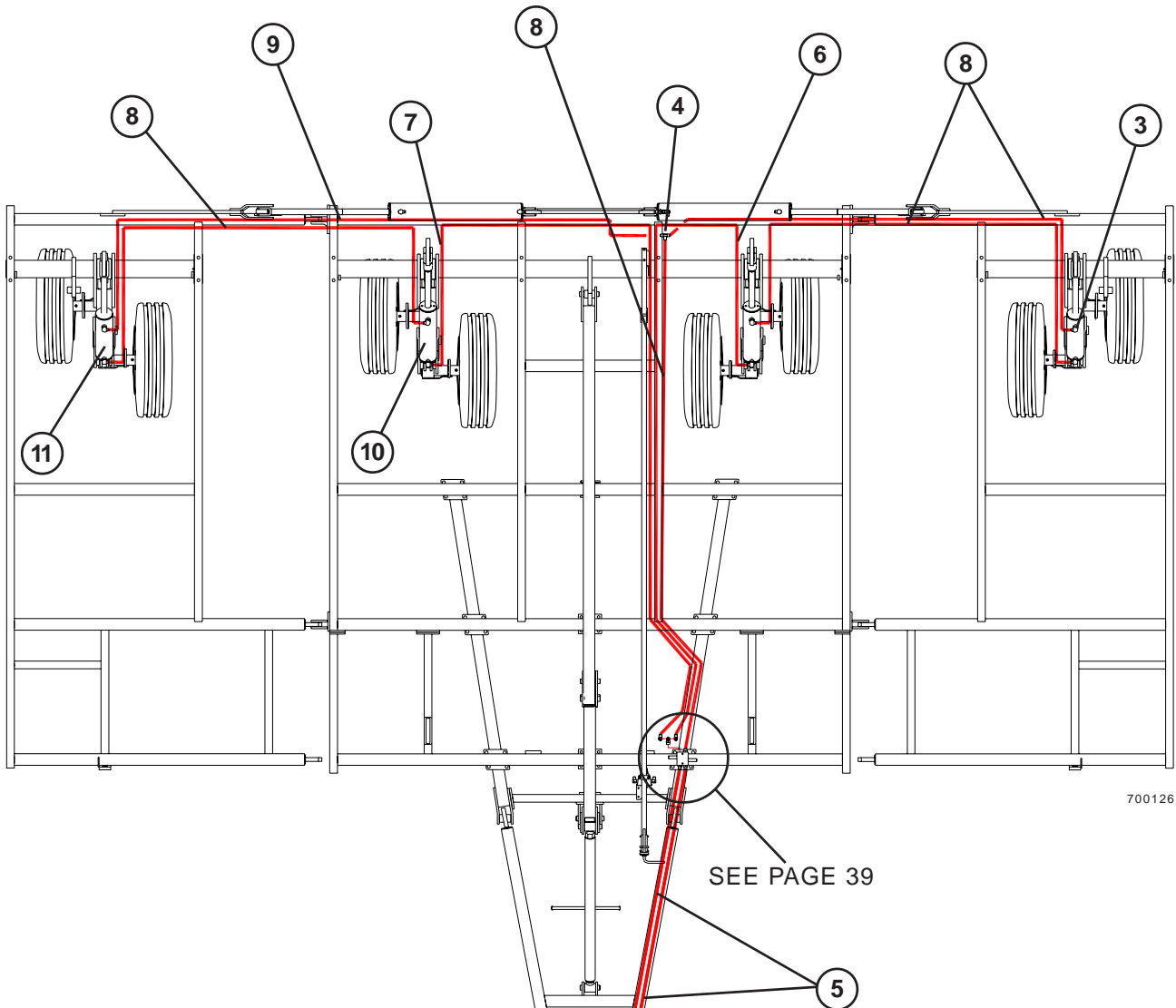


ITEM	PART NO	DESCRIPTION
1	60640	QUICK DISCNCT COUPLER
2	13234	ADP 8MJ X 8MPT
3	25580	ELB 8MJ X 8MORB
4	13238	TEE 8MJ X 8MJ X 8MJ
5	234940	HYD HOSE 1/2"x216" FF
6	240605	HYD HOSE 3/8"x216" FF
7	237155	HYD HOSE 3/8"x244" FF
8	235386	HYD HOSE 3/8"x137" FF
9	56540	HYD HOSE 3/8"x89" FF
10	15515	HYD HOSE 3/8"x62" FF
11	67683F1	HYD CYL 4"X12.56" BP FGS A519CY24
	239904	SEAL KIT 4" BP (FGS SK- ACXL4Q1S)
12	220061	1-1/2" CHANNEL LOCK 10"(NOT SHOWN)
13	42505	CYLINDER PIN KIT(NOT SHOWN)

SEE PAGE 39

11' MF w/7' WING

EXCEL DEPTH CONTROL HYDRAULICS

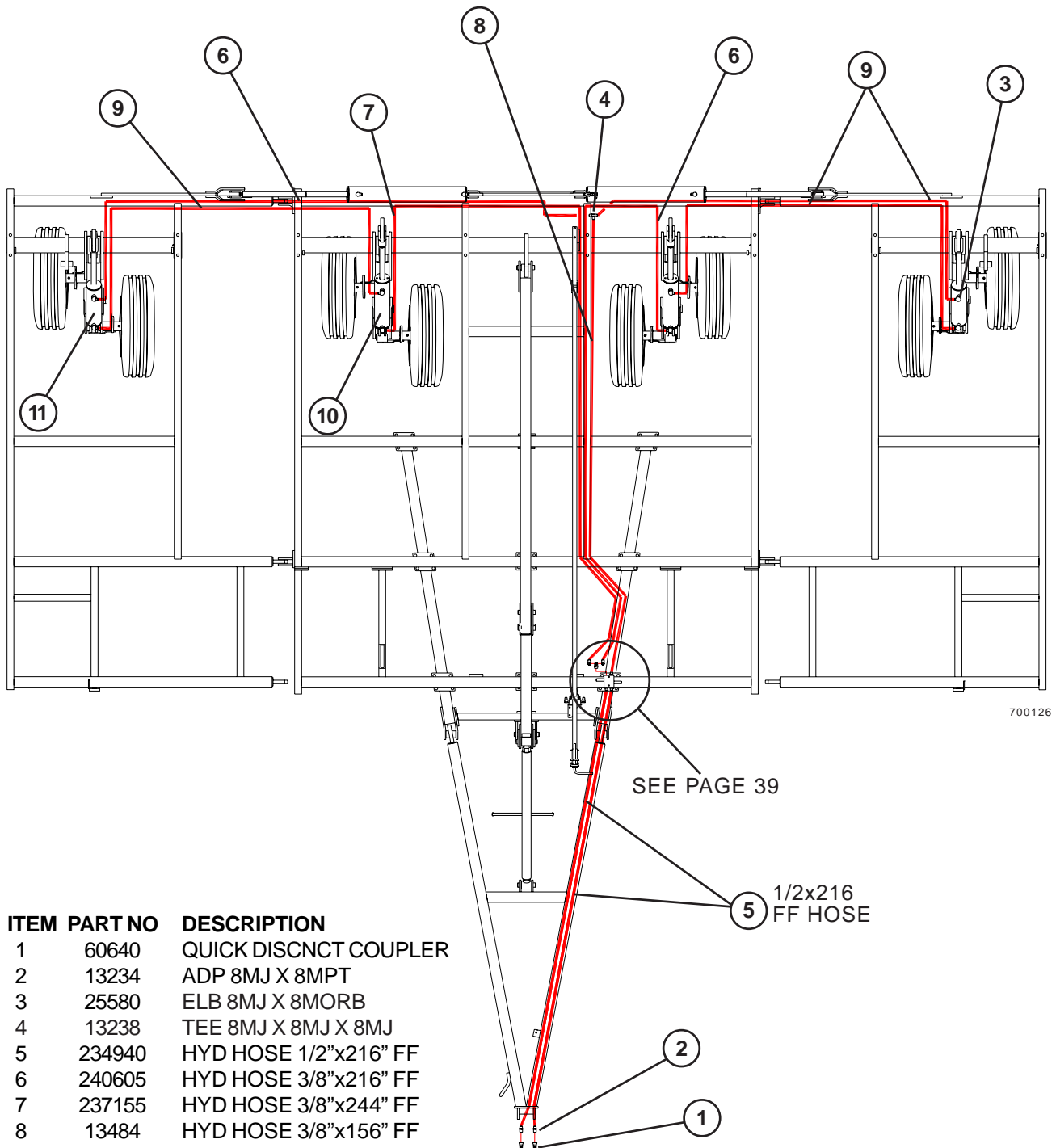


ITEM	PART NO	DESCRIPTION
1	60640	QUICK DISCNCT COUPLER
2	13234	ADP 8MJ X 8MPT
3	25580	ELB 8MJ X 8MORB
4	13238	TEE 8MJ X 8MJ X 8MJ
5	234940	HYD HOSE 1/2"x216" FF
6	240605	HYD HOSE 3/8"x216" FF
7	237155	HYD HOSE 3/8"x244" FF
8	13484	HYD HOSE 3/8"x156" FF
9	233689	HYD HOSE 3/8"x180" FF
10	67683F1	HYD CYL 4"x12.56" BP FGSA519CY24
	239904	SEAL KIT 4" BP (FGS SK-ACXL4Q1S)
11	67688F1	HYD CYL 4"x10.8" BP FGAA519CY25
	239904	SEAL KIT 4" BP (FGS SK-ACXL4Q1S)
12	220061	1-1/2" CHANNEL LOCK 10"(NOT SHOWN)
13	42505	CYLINDER PIN KIT(NOT SHOWN)

11' MF w/9' 4" WING

EXCEL DEPTH CONTROL

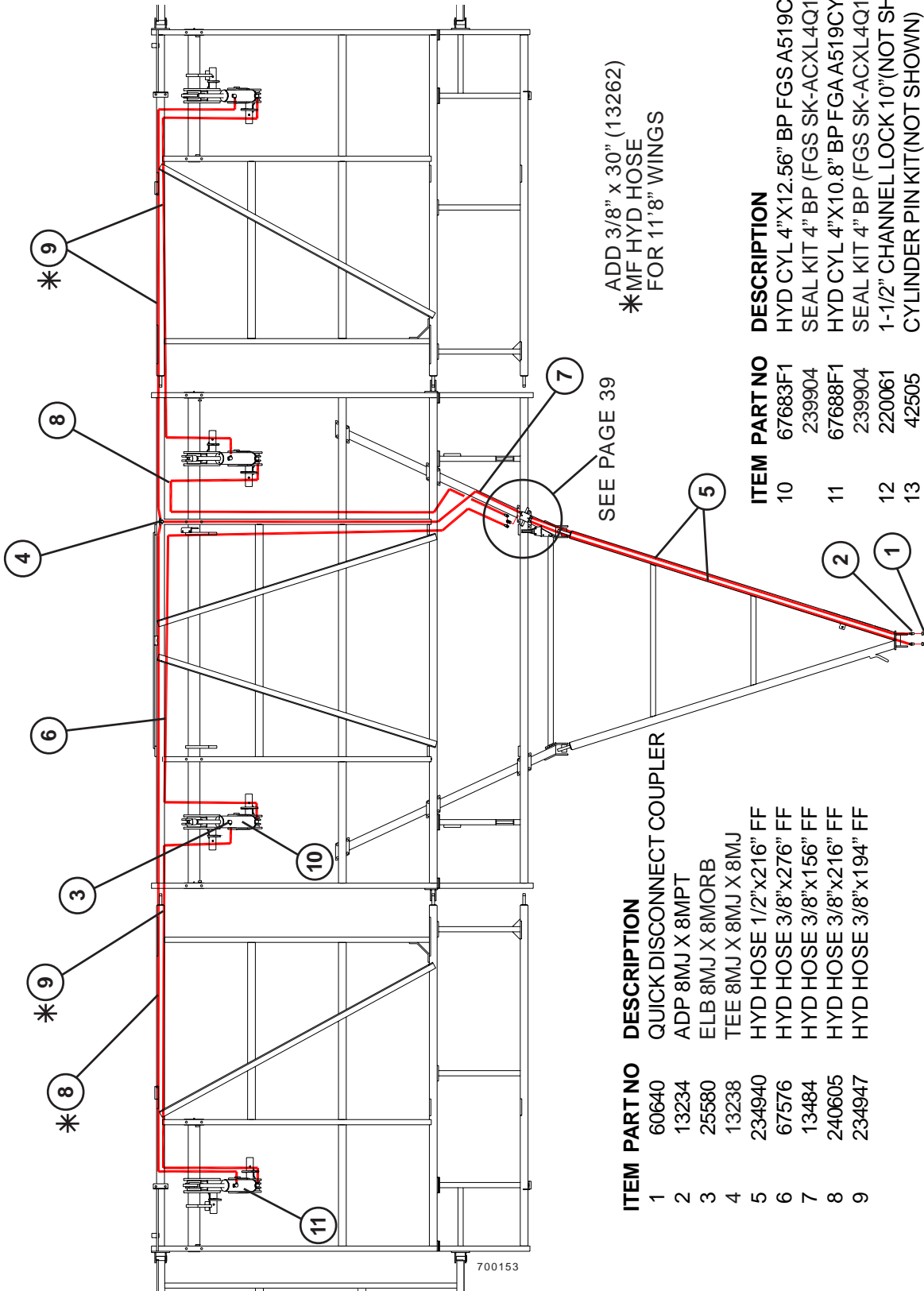
HYDRAULICS



ITEM	PART NO	DESCRIPTION
1	60640	QUICK DISCNCT COUPLER
2	13234	ADP 8MJ X 8MPT
3	25580	ELB 8MJ X 8MORB
4	13238	TEE 8MJ X 8MJ X 8MJ
5	234940	HYD HOSE 1/2"x216" FF
6	240605	HYD HOSE 3/8"x216" FF
7	237155	HYD HOSE 3/8"x244" FF
8	13484	HYD HOSE 3/8"x156" FF
9	233689	HYD HOSE 3/8"x180" FF
10	67683F1	HYD CYL 4"x12.56" BP FGSA519CY24
	239904	SEAL KIT 4" BP (FGS SK-ACXL4Q1S)
11	67688F1	HYD CYL 4"x10.8" BP FGAA519CY25
	239904	SEAL KIT 4" BP (FGS SK-ACXL4Q1S)
12	220061	1-1/2" CHANNEL LOCK 10"(NOT SHOWN)
13	42505	CYLINDER PIN KIT(NOT SHOWN)

13' MF w/9' 4" & 11'8" WING

EXCEL DEPTH CONTROL HYDRAULICS



ADD 3/8" x 30" (13262)
 *MF HYD HOSE
 FOR 11'8" WINGS

SEE PAGE 39

ITEM PART NO	DESCRIPTION
1	60640 QUICK DISCONNECT COUPLER
2	13234 ADP 8MJ X 8MPT
3	25580 ELB 8MJ X 8MORB
4	13238 TEE 8MJ X 8MJ X 8MJ
5	234940 HYD HOSE 1/2"x216" FF
6	67576 HYD HOSE 3/8"x276" FF
7	13484 HYD HOSE 3/8"x156" FF
8	240605 HYD HOSE 3/8"x216" FF
9	234947 HYD HOSE 3/8"x194" FF

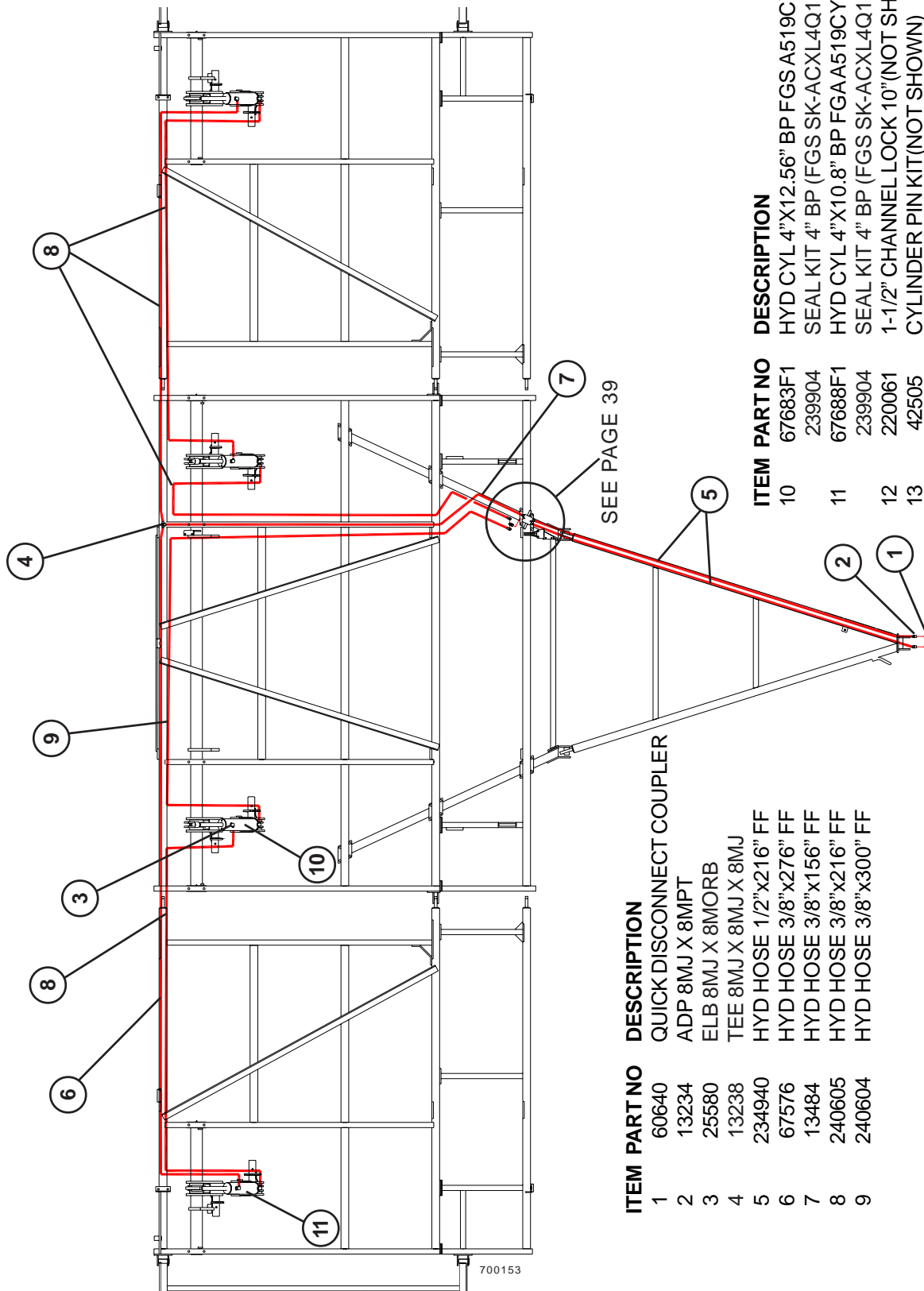
ITEM PART NO	DESCRIPTION
10	67683F1 HYD CYL 4"x12.56" BP FGS A519CY24
11	239904 SEAL KIT 4" BP (FGS SK-ACXL4Q1S)
12	67688F1 HYD CYL 4"x10.8" BP FGA A519CY25
13	239904 SEAL KIT 4" BP (FGS SK-ACXL4Q1S)
	220061 1-1/2" CHANNEL LOCK 10"(NOT SHOWN)
	42505 CYLINDER PIN KIT(NOT SHOWN)

700153

16' MF W/11'8" WING

EXCEL DEPTH CONTROL

HYDRAULICS



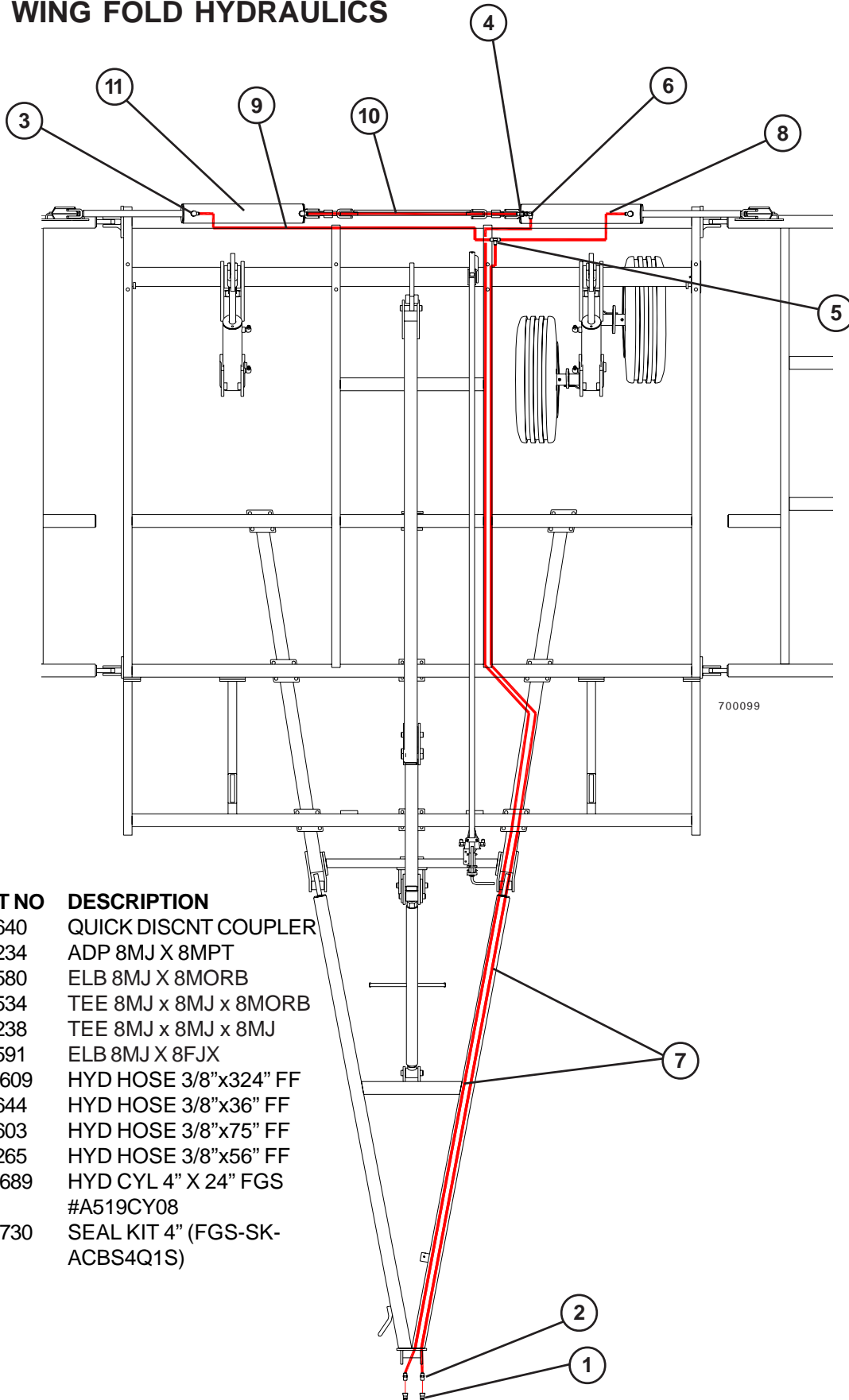
700153

ITEM	PART NO	DESCRIPTION
1	60640	QUICK DISCONNECT COUPLER
2	13234	ADP 8MJ X 8MPT
3	25580	ELB 8MJ X 8MORB
4	13238	TEE 8MJ X 8MJ X 8MJ
5	234940	HYD HOSE 1/2"x216" FF
6	67576	HYD HOSE 3/8"x276" FF
7	13484	HYD HOSE 3/8"x156" FF
8	240605	HYD HOSE 3/8"x216" FF
9	240604	HYD HOSE 3/8"x300" FF

ITEM	PART NO	DESCRIPTION
10	67683F1	HYD CYL 4"X12.56" BP FGS A519CY24
11	239904	SEAL KIT 4" BP (FGS SK-ACXL4Q1S)
12	67688F1	HYD CYL 4"X10.8" BP FGAA519CY25
13	239904	SEAL KIT 4" BP (FGS SK-ACXL4Q1S)
	220061	1-1/2" CHANNEL LOCK 10"(NOT SHOWN)
	42505	CYLINDER PIN KIT(NOT SHOWN)

11' MF w/4' WING

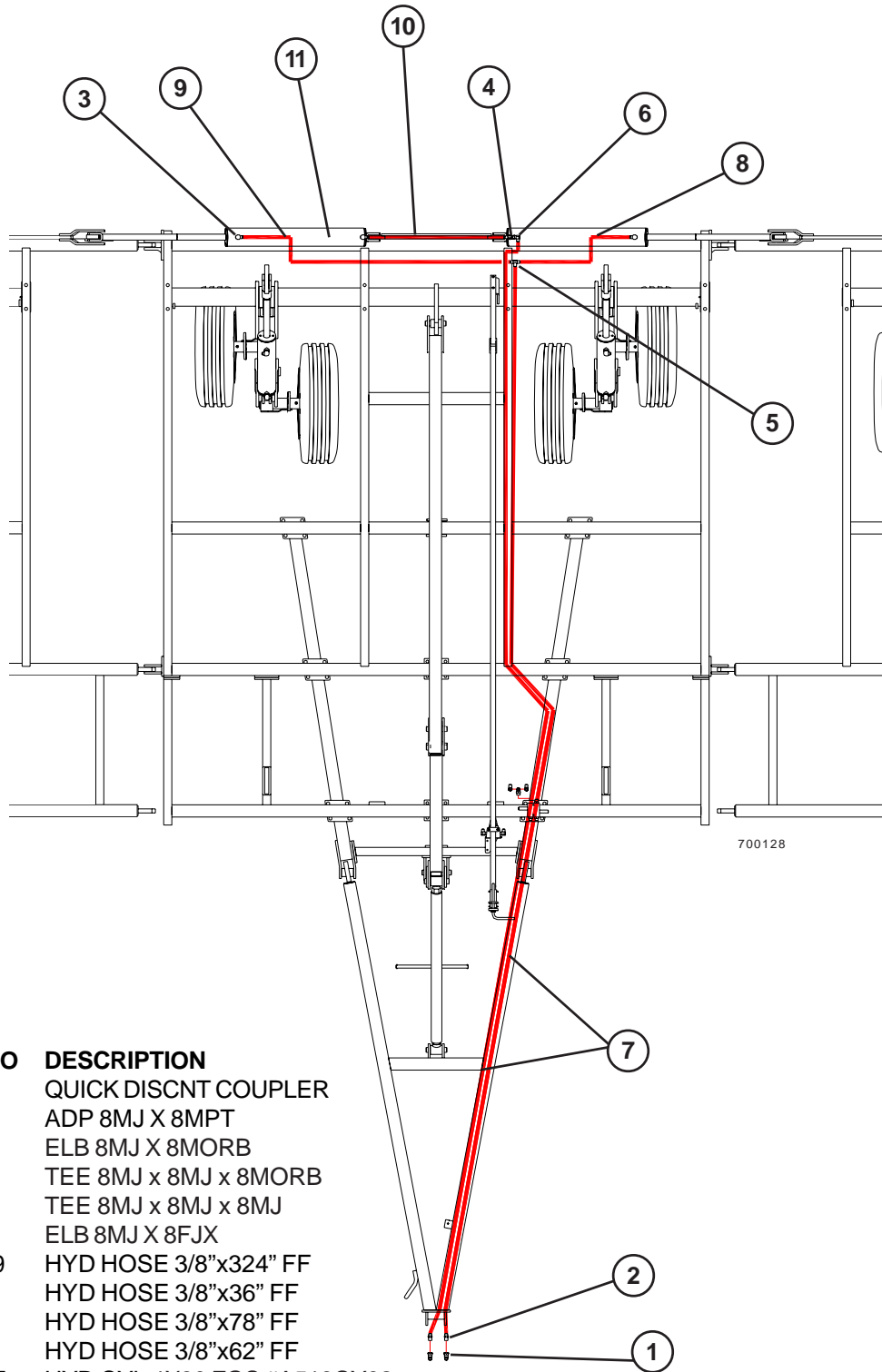
EXCEL WING FOLD HYDRAULICS



ITEM	PART NO	DESCRIPTION
1	60640	QUICK DISCNT COUPLER
2	13234	ADP 8MJ X 8MPT
3	25580	ELB 8MJ X 8MORB
4	56534	TEE 8MJ x 8MJ x 8MORB
5	13238	TEE 8MJ x 8MJ x 8MJ
6	25591	ELB 8MJ X 8FJX
7	240609	HYD HOSE 3/8"x324" FF
8	14644	HYD HOSE 3/8"x36" FF
9	25603	HYD HOSE 3/8"x75" FF
10	13265	HYD HOSE 3/8"x56" FF
11	233689	HYD CYL 4" X 24" FGS #A519CY08
	233730	SEAL KIT 4" (FGS-SK- ACBS4Q1S)

11' MF w/7' WING

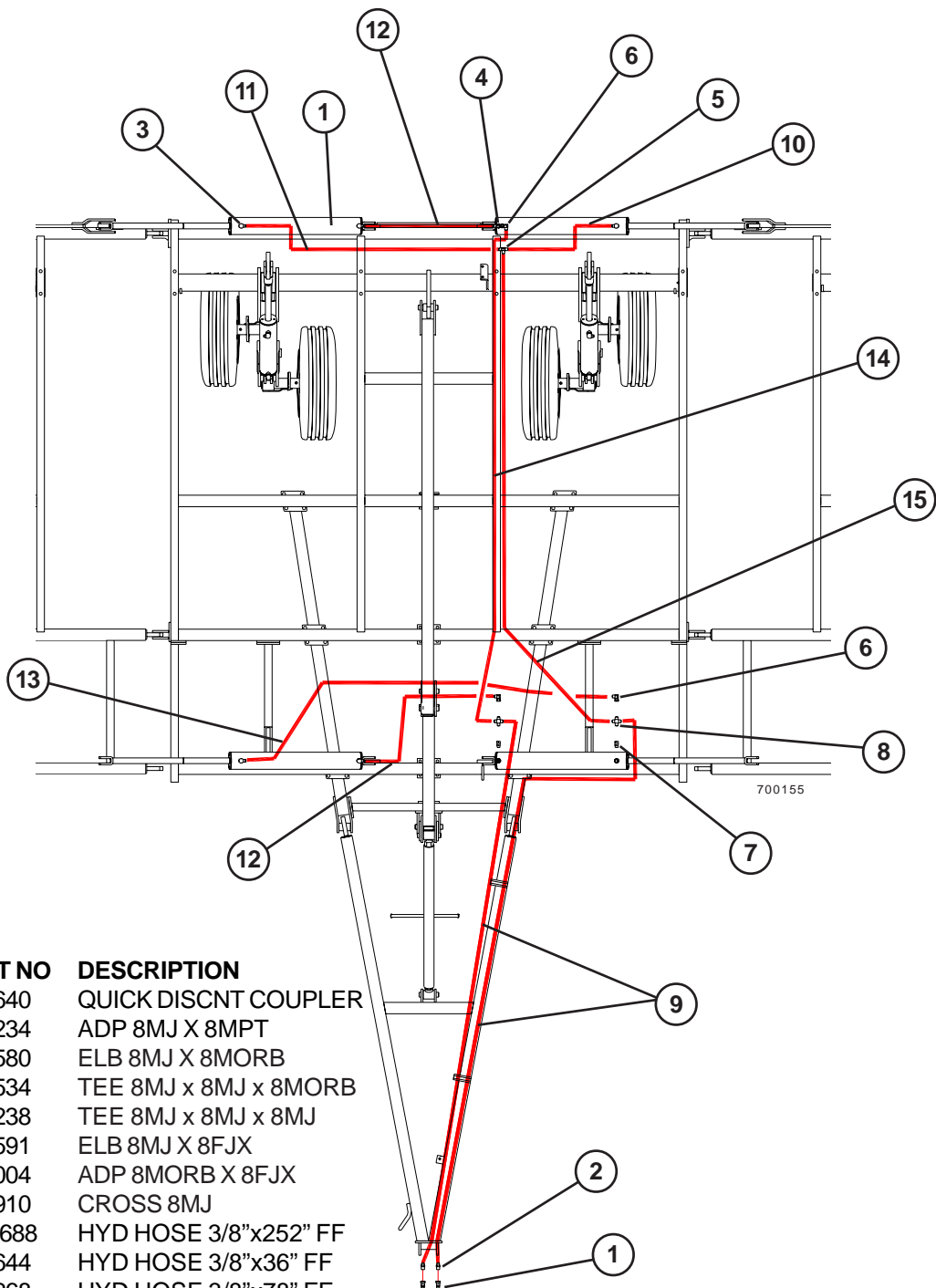
EXCEL WING FOLD HYDRAULICS



ITEM	PART NO	DESCRIPTION
1	60640	QUICK DISCNT COUPLER
2	13234	ADP 8MJ X 8MPT
3	25580	ELB 8MJ X 8MORB
4	56534	TEE 8MJ x 8MJ x 8MORB
5	13238	TEE 8MJ x 8MJ x 8MJ
6	25591	ELB 8MJ X 8FJX
7	240609	HYD HOSE 3/8"x324" FF
8	14644	HYD HOSE 3/8"x36" FF
9	13268	HYD HOSE 3/8"x78" FF
10	15515	HYD HOSE 3/8"x62" FF
11	51229F	HYD CYL 4X30 FGS #A519CY02
	233730	SEAL KIT 4IN (FGS-SK-ACBS4Q1S)

11' MF w/9'4"WING

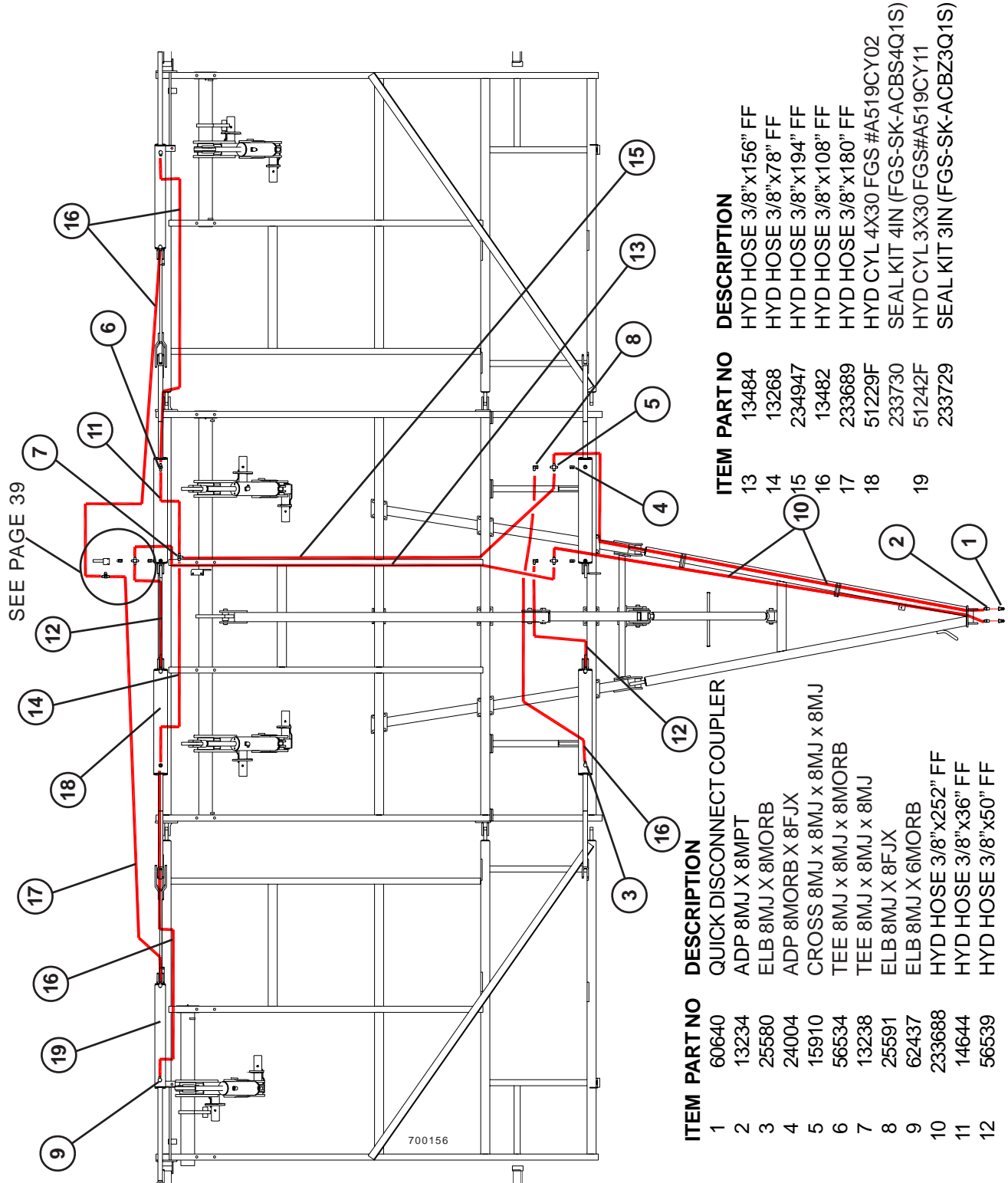
EXCEL WING FOLD HYDRAULICS



ITEM	PART NO	DESCRIPTION
1	60640	QUICK DISCNT COUPLER
2	13234	ADP 8MJ X 8MPT
3	25580	ELB 8MJ X 8MORB
4	56534	TEE 8MJ x 8MJ x 8MORB
5	13238	TEE 8MJ x 8MJ x 8MJ
6	25591	ELB 8MJ X 8FJX
7	24004	ADP 8MORB X 8FJX
8	15910	CROSS 8MJ
9	233688	HYD HOSE 3/8"x252" FF
10	14644	HYD HOSE 3/8"x36" FF
11	13268	HYD HOSE 3/8"x78" FF
12	56539	HYD HOSE 3/8"x50" FF
13	13482	HYD HOSE 3/8"x108" FF
14	13484	HYD HOSE 3/8"x156" FF
15	234947	HYD HOSE 3/8"x194" FF
16	51229F	HYD CYL 4X30 FGS #A519CY02
	233730	SEAL KIT 4IN (FGS-SK-ACBS4Q1S)

11' MF w/9'4" INNER WING 3'&5' OUTER WING

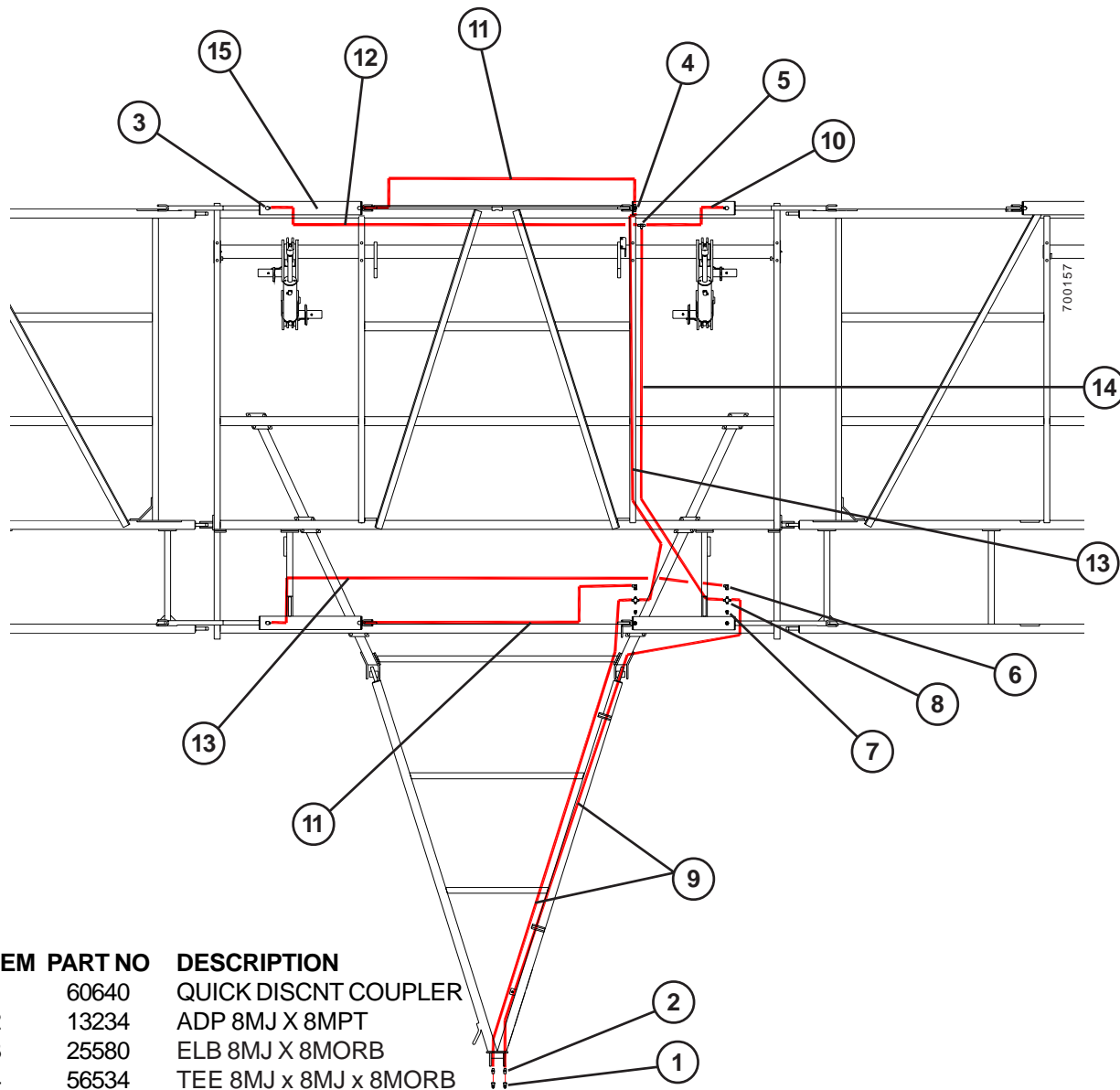
EXCEL WING FOLD HYDRAULICS



ITEM PART NO	DESCRIPTION	ITEM PART NO	DESCRIPTION
1	QUICK DISCONNECT COUPLER	13	HYD HOSE 3/8"x156" FF
2	ADP 8MJ X 8MPT	14	HYD HOSE 3/8"x78" FF
3	ELB 8MJ X 8MORB	15	HYD HOSE 3/8"x194" FF
4	ADP 8MORB X 8FJX	16	HYD HOSE 3/8"x108" FF
5	CROSS 8MJ x 8MJ x 8MJ x 8MJ	17	HYD HOSE 3/8"x180" FF
6	TEE 8MJ x 8MJ x 8MORB	18	HYD CYL 4X30 FGS #A519CY02
7	TEE 8MJ x 8MJ x 8MJ	19	SEAL KIT 4IN (FGS-SK-ACBS4Q1S)
8	ELB 8MJ X 8FJX		HYD CYL 3X30 FGS#A519CY11
9	ELB 8MJ X 6MORB		SEAL KIT 3IN (FGS-SK-ACBZ3Q1S)
10	HYD HOSE 3/8"x252" FF		
11	HYD HOSE 3/8"x36" FF		
12	HYD HOSE 3/8"x50" FF		

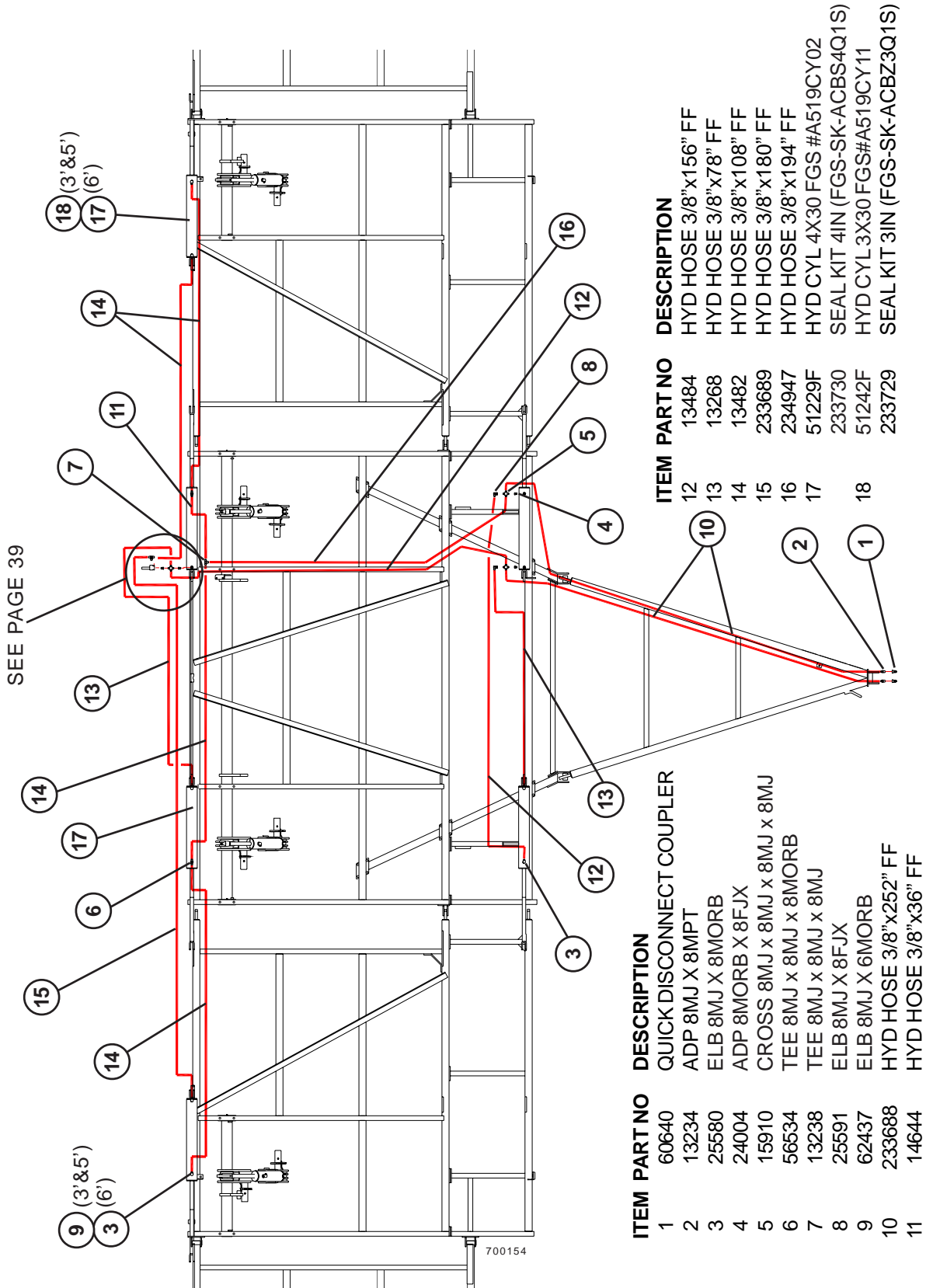
13' MF w/9'4" & 11' 8" WING

EXCEL WING FOLD HYDRAULICS



ITEM	PART NO	DESCRIPTION
1	60640	QUICK DISCNT COUPLER
2	13234	ADP 8MJ X 8MPT
3	25580	ELB 8MJ X 8MORB
4	56534	TEE 8MJ x 8MJ x 8MORB
5	13238	TEE 8MJ x 8MJ x 8MJ
6	25591	ELB 8MJ X 8FJX
7	24004	ADP 8MORB X 8FJX
8	15910	CROSS 8MJ
9	233688	HYD HOSE 3/8"x252" FF
10	14644	HYD HOSE 3/8"x36" FF
11	13268	HYD HOSE 3/8"x78" FF
12	13482	HYD HOSE 3/8"x108" FF
13	13484	HYD HOSE 3/8"x156" FF
14	234947	HYD HOSE 3/8"x194" FF
15	51229F	HYD CYL 4X30 FGS #A519CY02
	233730	SEAL KIT 4IN (FGS-SK-ACBS4Q1S)

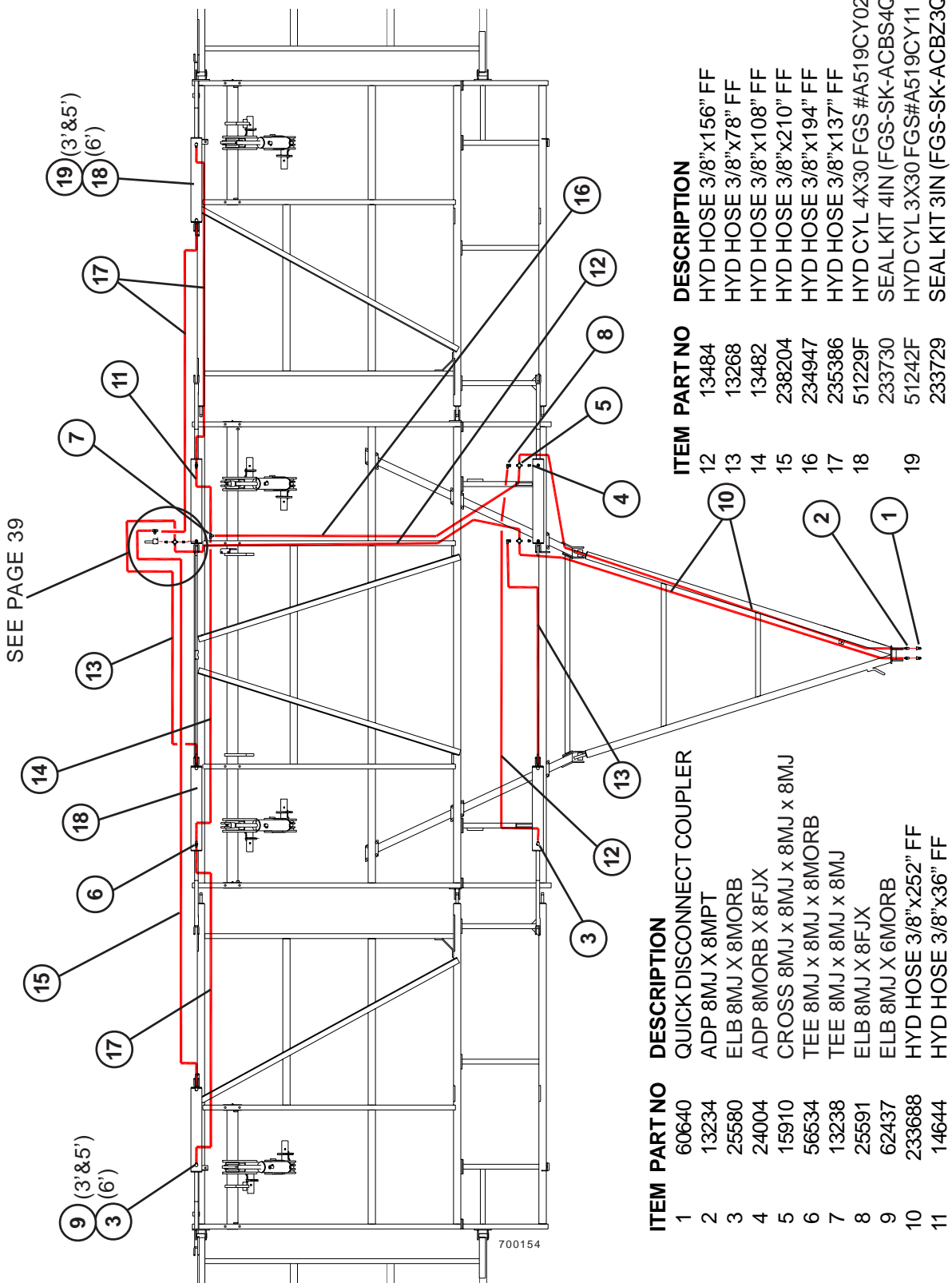
13' MF w/9'4" INNER WING 3',5'&6' OUTER WING EXCEL WING FOLD HYDRAULICS



SEE PAGE 39

ITEM	PART NO	DESCRIPTION	ITEM	PART NO	DESCRIPTION
1	60640	QUICK DISCONNECT COUPLER	12	13484	HYD HOSE 3/8"x156" FF
2	13234	ADP 8MJ X 8MPT	13	13268	HYD HOSE 3/8"x78" FF
3	25580	ELB 8MJ X 8MORB	14	13482	HYD HOSE 3/8"x108" FF
4	24004	ADP 8MORB X 8FJX	15	233689	HYD HOSE 3/8"x180" FF
5	15910	CROSS 8MJ x 8MJ x 8MJ x 8MJ	16	234947	HYD HOSE 3/8"x194" FF
6	56534	TEE 8MJ x 8MJ x 8MORB	17	51229F	HYD CYL 4X30 FGS #A519CY02
7	13238	TEE 8MJ x 8MJ x 8MJ	18	233730	SEAL KIT 4IN (FGS-SK-ACBS4Q1S)
8	25591	ELB 8MJ X 8FJX		51242F	HYD CYL 3X30 FGS#A519CY11
9	62437	ELB 8MJ X 6MORB		233729	SEAL KIT 3IN (FGS-SK-ACBZ3Q1S)
10	233688	HYD HOSE 3/8"x252" FF			
11	14644	HYD HOSE 3/8"x36" FF			

13' MF w/11'8" INNER WING 3',5'&6' OUTER WING EXCEL WING FOLD HYDRAULICS

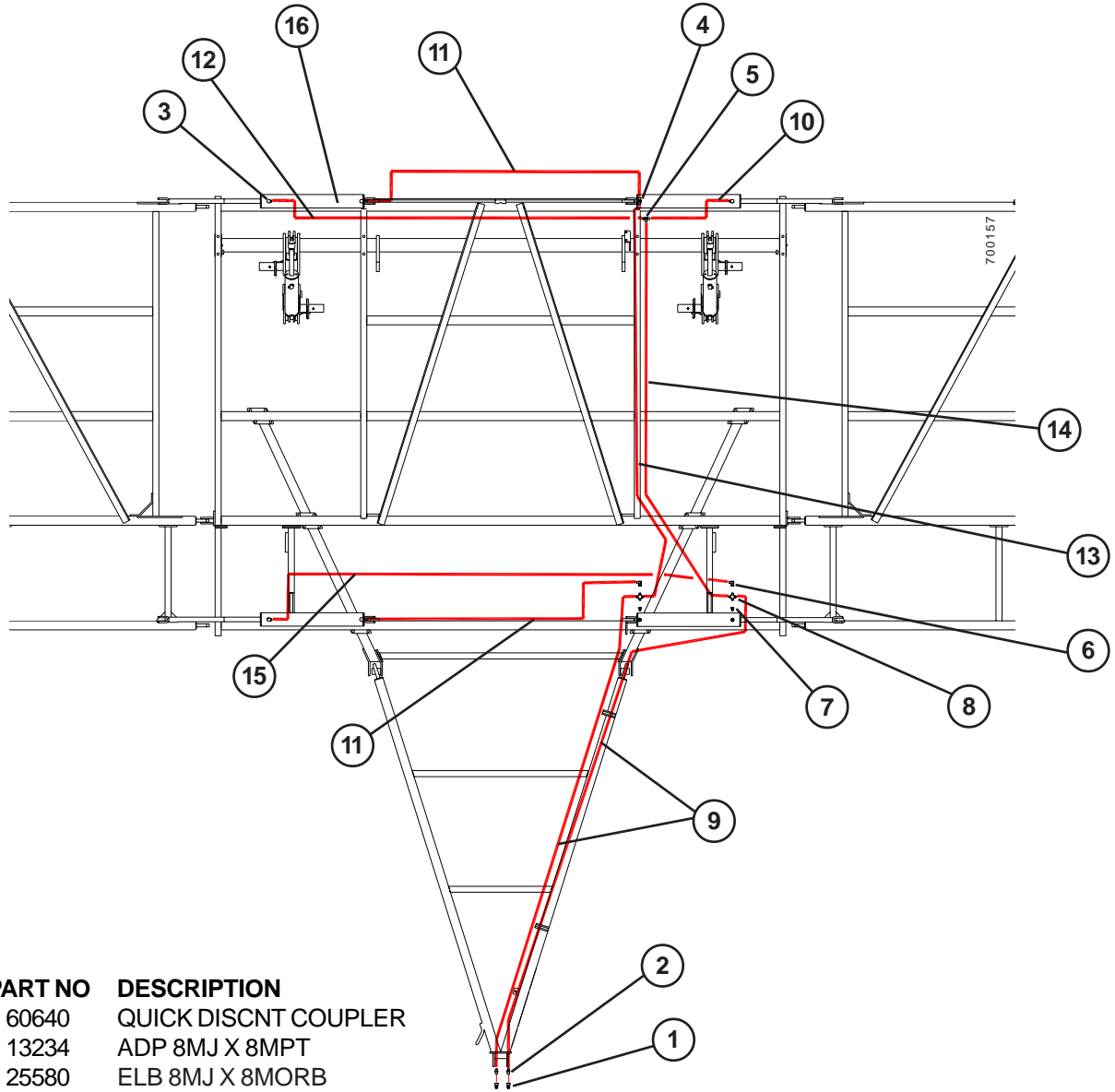


SEE PAGE 39

ITEM	PART NO	DESCRIPTION	ITEM	PART NO	DESCRIPTION
1	60640	QUICK DISCONNECT COUPLER	12	13484	HYD HOSE 3/8"x156" FF
2	13234	ADP 8MJ X 8MPT	13	13268	HYD HOSE 3/8"x78" FF
3	25580	ELB 8MJ X 8MORB	14	13482	HYD HOSE 3/8"x108" FF
4	24004	ADP 8MORB X 8FJX	15	238204	HYD HOSE 3/8"x210" FF
5	15910	CROSS 8MJ x 8MJ x 8MJ x 8MJ	16	234947	HYD HOSE 3/8"x194" FF
6	56534	TEE 8MJ x 8MJ x 8MORB	17	235386	HYD HOSE 3/8"x137" FF
7	13238	TEE 8MJ x 8MJ x 8MJ	18	51229F	HYD CYL 4X30 FGS #A519CY02
8	25591	ELB 8MJ X 8FJX	19	233730	SEAL KIT 4IN (FGS-SK-ACBS4Q1S)
9	62437	ELB 8MJ X 6MORB		51242F	HYD CYL 3X30 FGS#A519CY11
10	233688	HYD HOSE 3/8"x252" FF		233729	SEAL KIT 3IN (FGS-SK-ACBZ3Q1S)
11	14644	HYD HOSE 3/8"x36" FF			

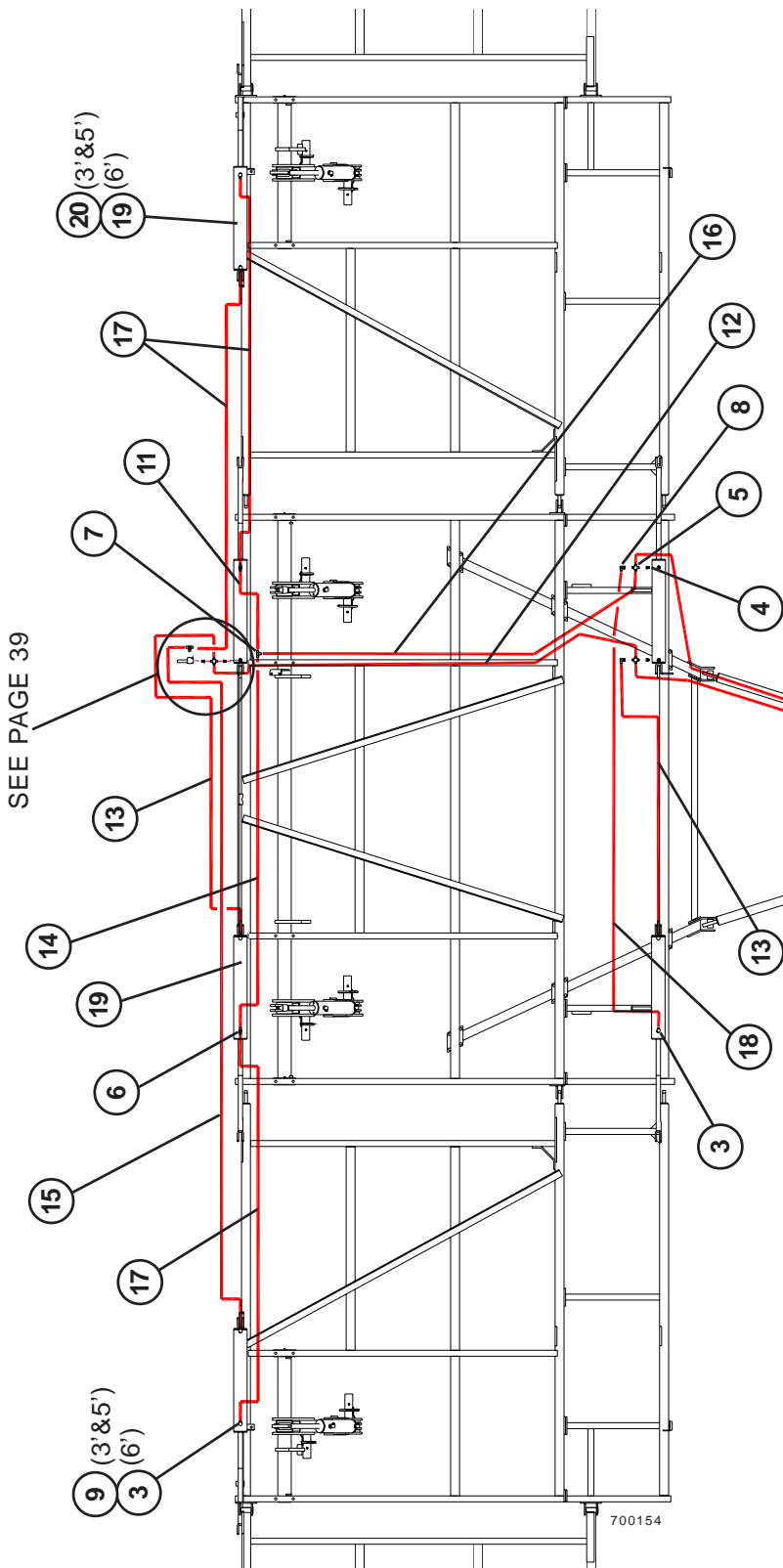
16' MF w/11' 8" WING

EXCEL WING FOLD HYDRAULICS



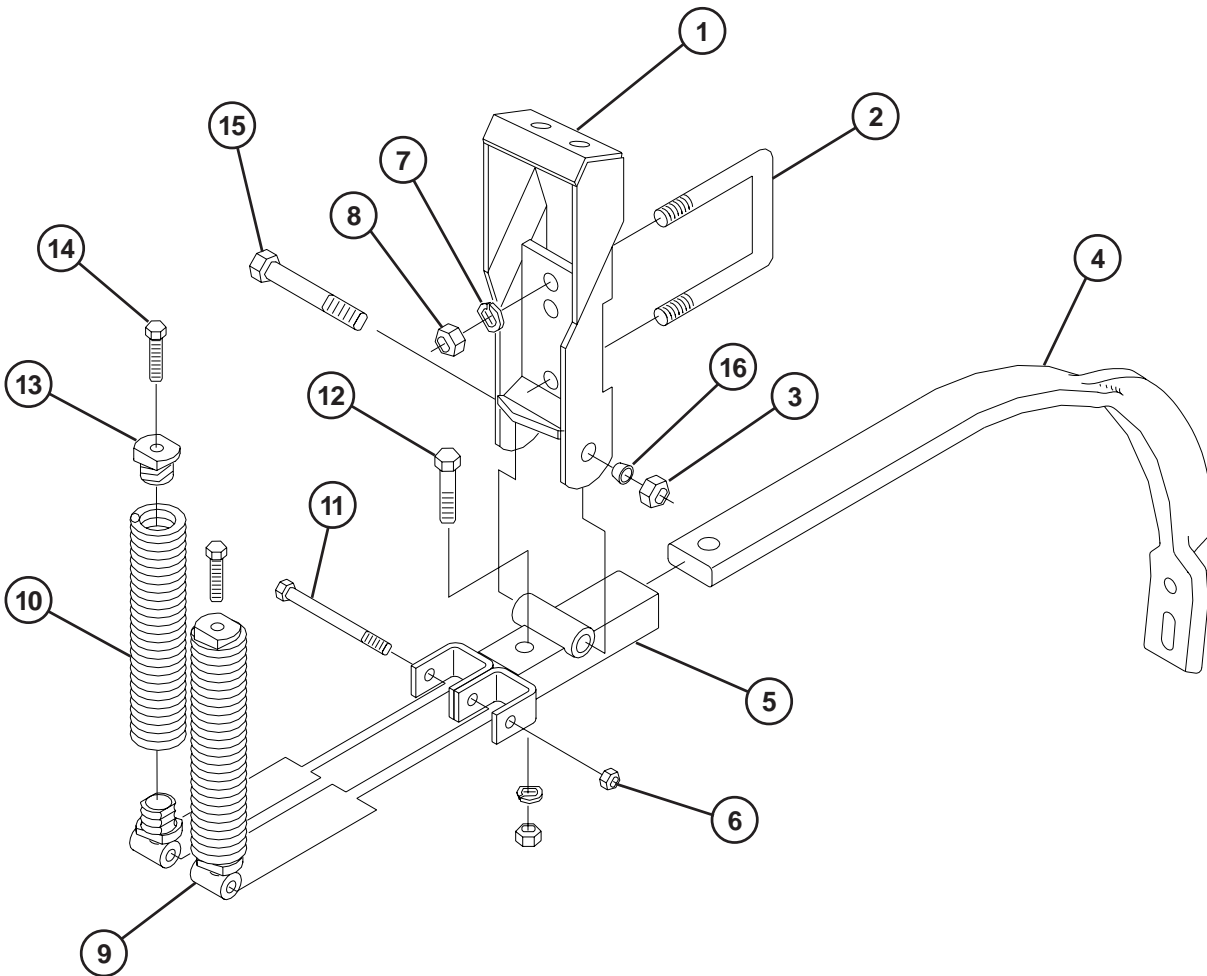
ITEM	PART NO	DESCRIPTION
1	60640	QUICK DISCNT COUPLER
2	13234	ADP 8MJ X 8MPT
3	25580	ELB 8MJ X 8MORB
4	56534	TEE 8MJ x 8MJ x 8MORB
5	13238	TEE 8MJ x 8MJ x 8MJ
6	25591	ELB 8MJ X 8FJX
7	24004	ADP 8MORB X 8FJX
8	15910	CROSS 8MJ
9	233688	HYD HOSE 3/8"x252" FF
10	14644	HYD HOSE 3/8"x36" FF
11	235388	HYD HOSE 3/8"x102" FF
12	67634	HYD HOSE 3/8"x132" FF
13	13484	HYD HOSE 3/8"x156" FF
14	234947	HYD HOSE 3/8"x194" FF
15	235387	HYD HOSE 3/8"x168" FF
16	51229F	HYD CYL 4X30 FGS #A519CY02
	233730	SEAL KIT 4IN (FGS-SK-ACBS4Q1S)

16' MF w/11'8" INNER WING 3',5'&6' OUTER WING EXCEL WING FOLD HYDRAULICS



ITEM	PART NO	DESCRIPTION	ITEM	PART NO	DESCRIPTION
1	60640	QUICK DISCONNECT COUPLER	12	13484	HYD HOSE 3/8" x 156" FF
2	13234	ADP 8MJ X 8MPT	13	235388	HYD HOSE 3/8" x 102" FF
3	25580	ELB 8MJ X 8MORB	14	67634	HYD HOSE 3/8" x 132" FF
4	24004	ADP 8MORB X 8FJX	15	237155	HYD HOSE 3/8" x 244" FF
5	15910	CROSS 8MJ x 8MJ x 8MJ x 8MJ	16	234947	HYD HOSE 3/8" x 194" FF
6	56534	TEE 8MJ x 8MJ x 8MORB	17	235386	HYD HOSE 3/8" x 137" FF
7	13238	TEE 8MJ x 8MJ x 8MJ	18	235387	HYD HOSE 3/8" x 168" FF
8	25591	ELB 8MJ X 8FJX	19	51229F	HYD CYL 4X30 FGS #A519CY02
9	62437	ELB 8MJ X 6MORB	20	233730	SEAL KIT 4IN (FGS-SK-ACBS4Q1S)
10	233688	HYD HOSE 3/8" x 252" FF		51242F	HYD CYL 3X30 FGS#A519CY11
11	14644	HYD HOSE 3/8" x 36" FF		233729	SEAL KIT 3IN (FGS-SK-ACBZ3Q1S)

TWIN SPRING SHANK ASSEMBLY

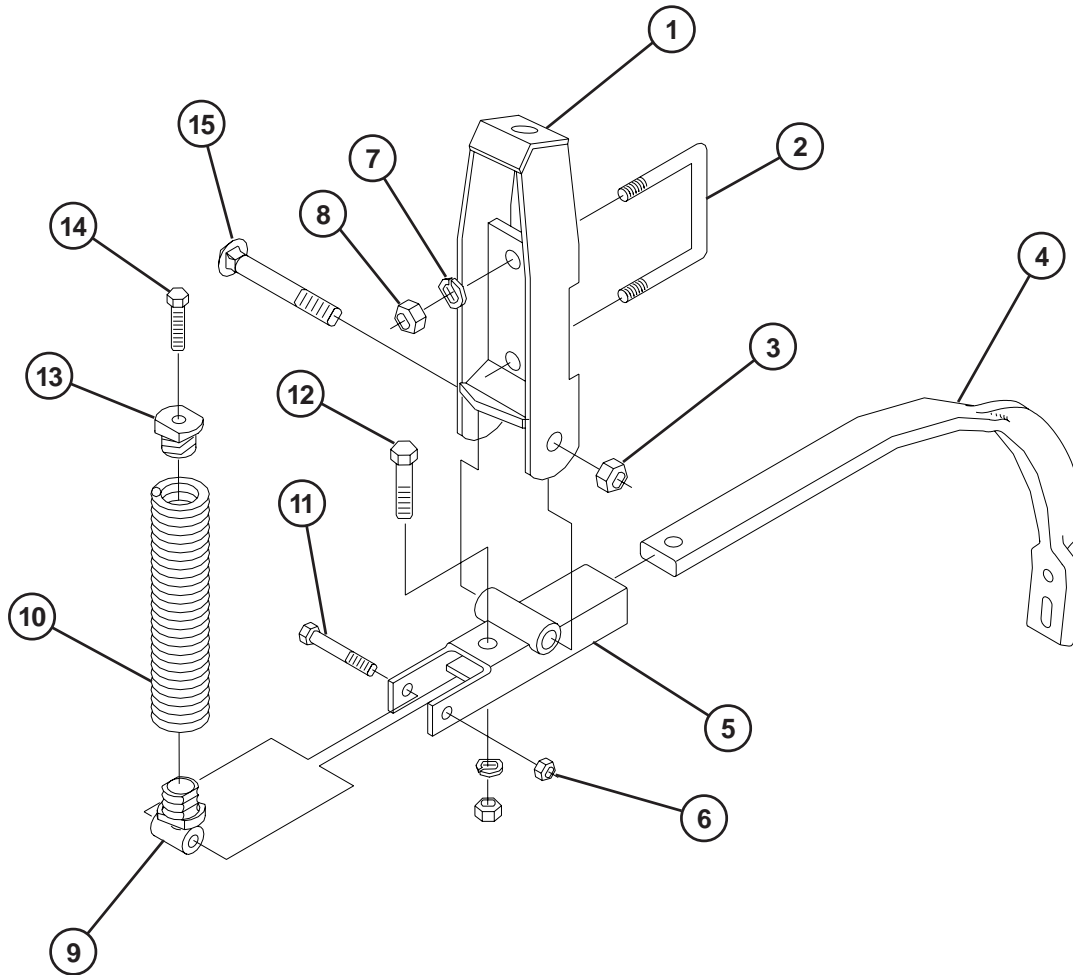


ITEM	PART NO.	DESCRIPTION
	55658	TWIN SPRING SHANK ASSEMBLY (INCLUDES ITEMS 1, 3-6, 9-17)
	11540	SPRING PLUG ASSEMBLY (INCLUDES 9-10 & 13)
1	22047	SHANK FRAME BRACKET (4")
2	88501	5/8"NCX4"X4-1/4"U-BOLT
3	22463	3/4"NF LOCK NUT
4	55655	HD EDGE FORM SHANK
5	22051	SHANK HOLDER
6	88363	1/2"NC LOCK NUT
7	88129	5/8" LOCK WASHER

ITEM	PART NO.	DESCRIPTION
8	88126	5/8"NC NUT
9	11397	SPRING HANDLE (PLAIN)
10	11510	SPRING
11	88574	1/2"NCX5-1/2" GR5 BOLT
12	88294	5/8"NCX2" GR5 BOLT
13	11398	SPRING PLUG (PLAIN)
14	23153	1/2"NCX2" GR5 BOLT
15	22933	SHANK HEX BOLT
16	41452	CENTERING WASHER

DOUBLE SPRING SHANK.WMF

SINGLE SPRING SHANK ASSEMBLY



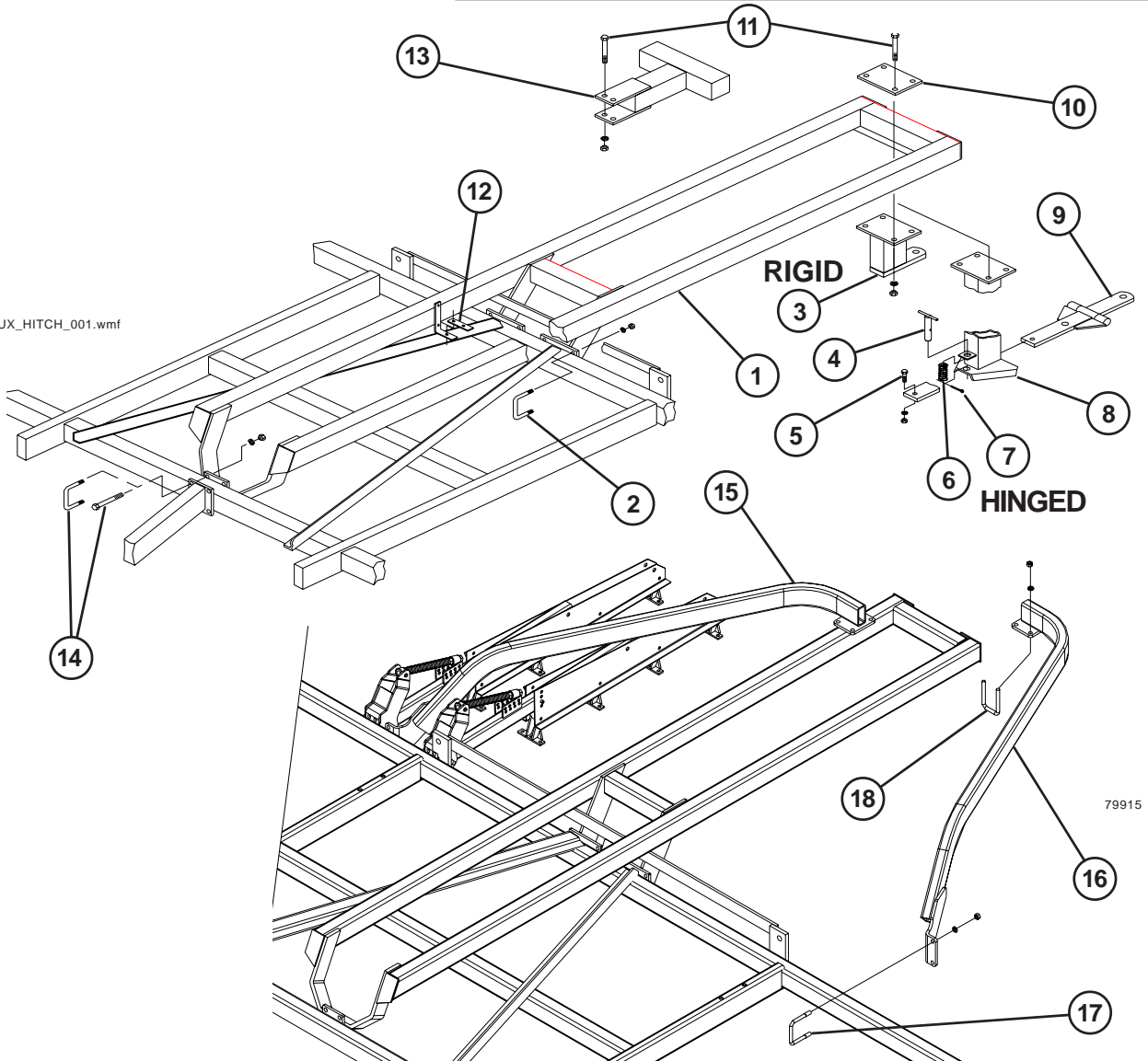
ITEM	PART NO.	DESCRIPTION
	53405	FC SHANKASSEMBLY (4") (INCLUDES ITEMS 1, 3-6, 9-17)
	11540	SPRING PLUG ASSEMBLY (INCLUDES 9-10 & 13))
1	20569	SHANK FRAME BRACKET (4")
2	88501	5/8"NCX4"X4-1/4"U-BOLT
3	22463	3/4"NF LOCK NUT
4	53408	EDGE FORMED SHANK
5	11509	SHANK HOLDER
6	88363	1/2"NC LOCK NUT
7	88129	5/8" LOCK WASHER

ITEM	PART NO.	DESCRIPTION
8	88126	5/8"NC NUT
9	11397	SPRING HANDLE (PLAIN)
10	11510	SPRING
11	20637	1/2"NCX3" GR5 BOLT
12	88294	5/8"NCX2" GR5 BOLT
13	11398	SPRING PLUG (PLAIN)
14	23153	1/2"NCX2" GR5 BOLT
15	68575	CARRIAGE BOLT

SINGLE SPRING SHANK.WMF

HD REAR HITCH & BRACE ARMS

HD_AUX_HITCH_001.wmf



79915

ITEM PART NO. DESCRIPTION

	69455	REAR HITCH W/HINGED TOUNGE (INCLUDES ITEMS 1,2,4-11)
	69456	REAR HITCH W/RIGID TOUNGE (INCLUDES ITEMS 1,2,3,10 & 11)
	233522	REAR HITCH BRACE ARMS (INCLUDES ITEMS 15,16,17 & 18)
1	69442	HD IMPLEMENT HITCH
2	88453	5/8"NCX4"X4-1/2"U-BOLT
3	69453	RIGID TOUNGE MOUNT
4	58284	PIN ASSEMBLY 1"X2-27/32"
5	88294	5/8"NCx2" GR5 BOLT
6	15940	SPRING
7	88101	1/4"X2-1/2" COTTER PIN
8	69454	HINGED HITCH MOUNT
9	18443	HINGED TOUNGE ASSEMBLY
10	69447	PLATE
11	88293	3/4"NCX6" GR5 BOLT
12	69459	CLAMP STRAP
13	222493	HD HITCH EXTENSION
14	88305	3/4"NCX5" GR5 BOLT(EXCEL)
	88453	5/8"NCX4"X4-1/2"U-BOLT(QUAD X)

ITEM PART NO. DESCRIPTION

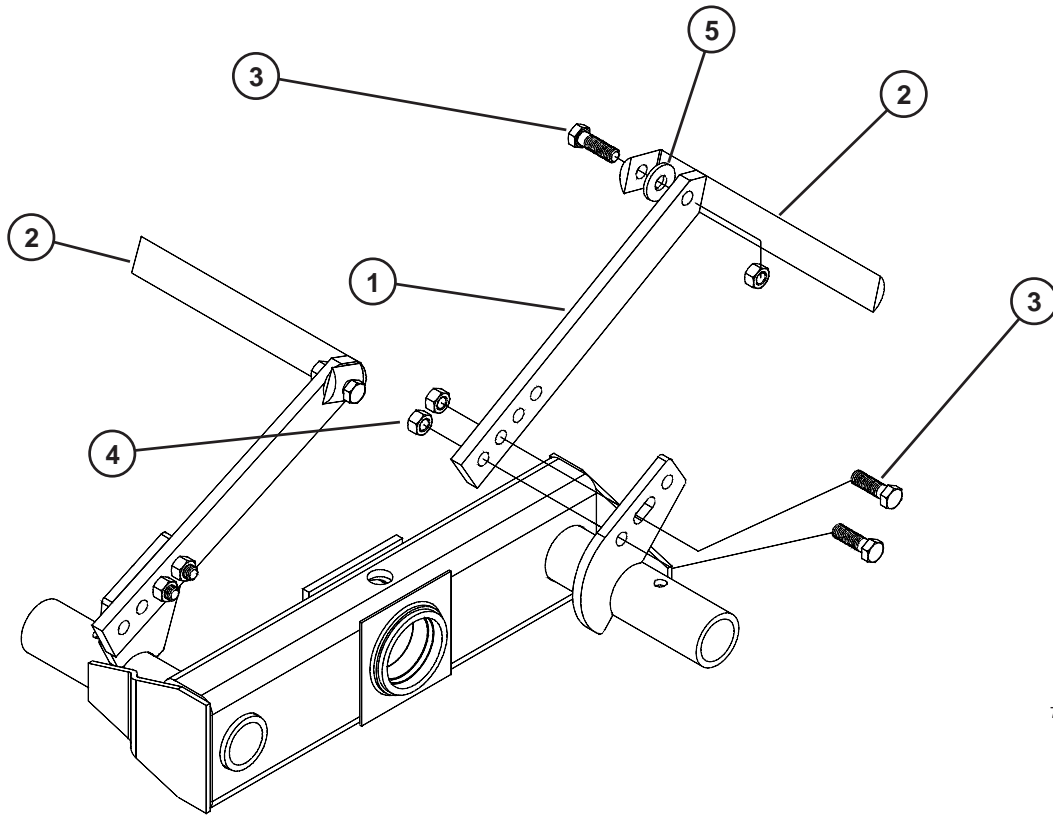
15	233520	RIGHT BRACE ARM
16	233521	LEFT BRACE ARM
17	88453	5/8"NCX4"X4-1/2"U-BOLT
18	88503	5/8"NCx3"x5-1/4" U-BOLT

Standard Nuts and Lock Washers

88172	1/4NC Nut	88262	1/4 Lock Washer
88103	3/8NC Nut	88362	3/8 Lock Washer
88104	1/2NC Nut	88303	1/2 Lock Washer
88126	5/8NC Nut	88129	5/8 Lock Washer
88110	3/4NC Nut	88130	3/4 Lock Washer
88371	7/8NC Nut	88341	7/8 Lock Washer

Note: Standard nuts and lock washers are not called out. Anything other than standard will be called out.

MUD SCRAPERS

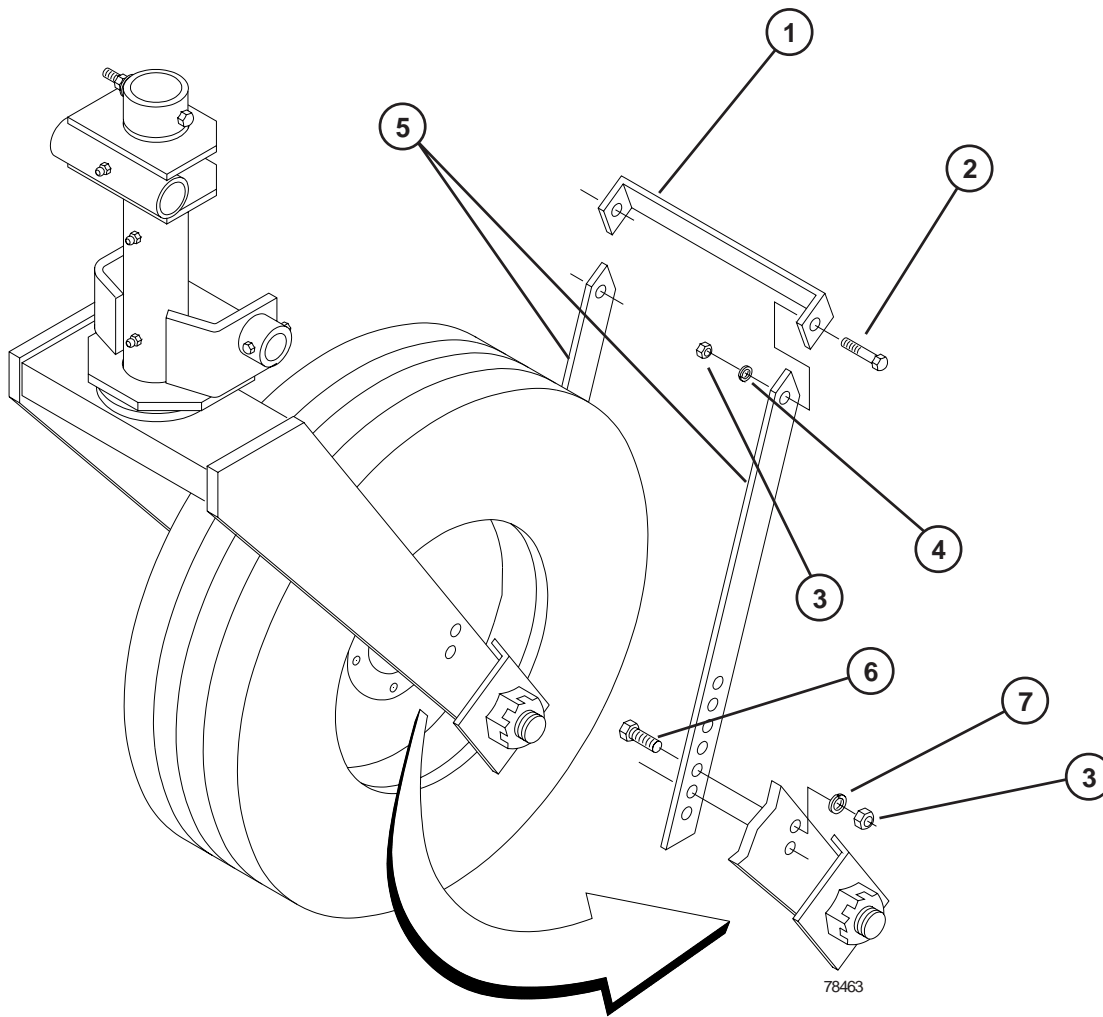


79282

ITEM	PART NO	DESCRIPTION
	61851	TIRE SCRAPER KIT (PR)
1	61835	SCRAPER BAR
2	61837	5/8" DIAx13-1/2" SCRAPER BAR
3	88294	5/8"NCx2" GR5 BOLT
4	88845	5/8"NC LOCK NUT
5	88277	5/8" FLAT WASHER

NOTE: 1 Kit does two (2) tires.

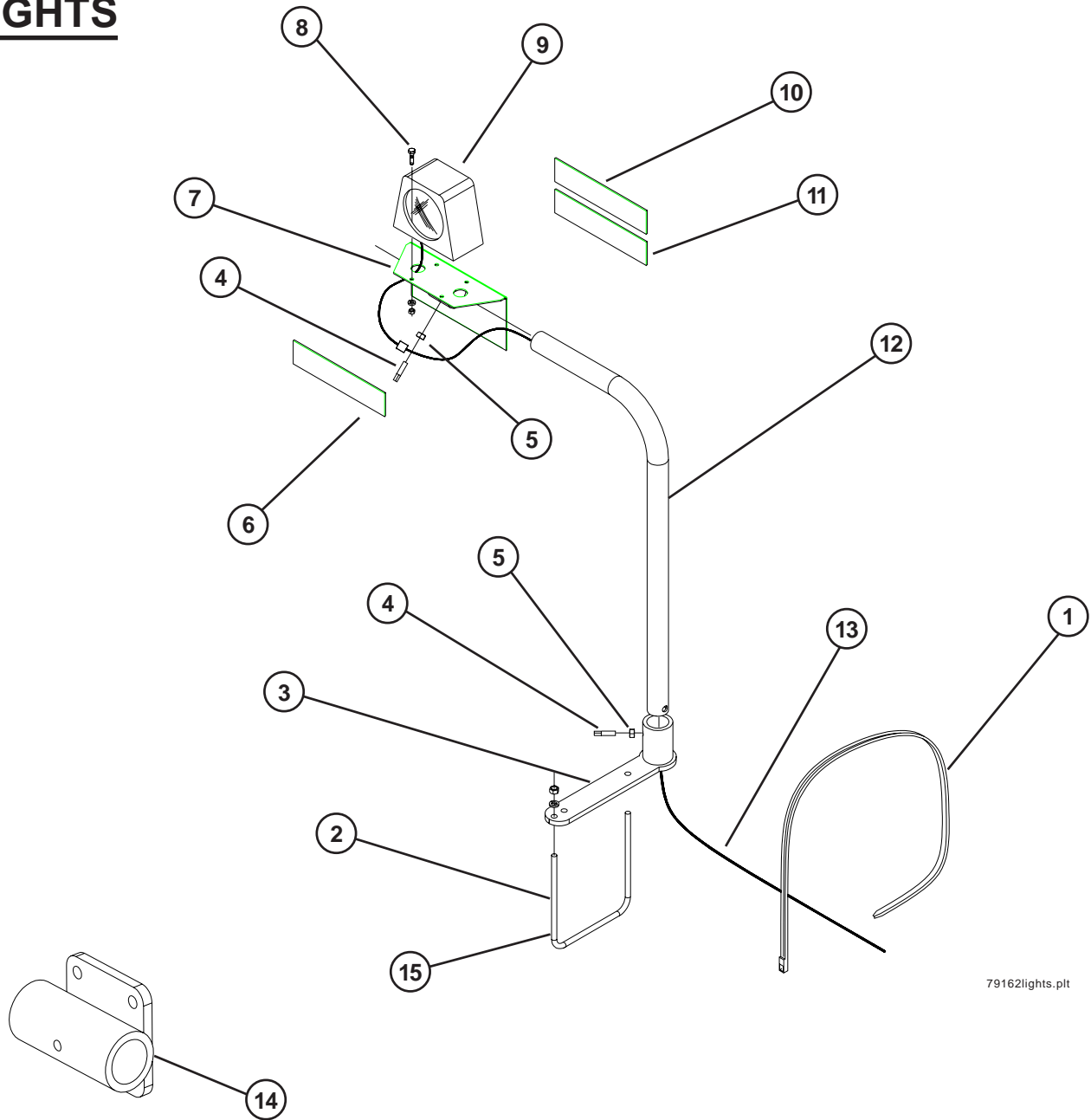
GAUGE WHEEL SCRAPER



ITEM	PART NO	DESCRIPTION
	58799	GAUGE WHEEL SCRAPER KIT
1	58800	SCRAPER BLADE - 18"
2	88475	1/2"X1-1/2" GR5 BOLT
3	88104	1/2"NC NUT
4	88303	1/2" LOCK WASHER

ITEM	PART NO	DESCRIPTION
5	40915	SCRAPER BAR
6	88517	1/2"NCX1-3/4" GR5 BOLT
7	88303	1/2" LOCK WASHER

LIGHTS



79162lights.plt

PIVOT_PLATE_001.wmf

ITEM	PART NO	DESCRIPTION	ITEM	PART NO	DESCRIPTION
	233685	LIGHT KIT (QX/XL SMALL WING)	11	223118	RED/ORANGE FLUORESCENT DECAL
	223178	LIGHT KIT (QX/XL)	12	223140	12"x12" LIGHT ARM
1	13479	4" SQUARE TIE LOOP		223121	48" OFFSET LIGHT ARM
2	88385	3/8"NCx4"x4-3/4" U-BOLT	13	223330	AG LIGHT KIT
3	223130	SHORT BASE PIVOT		223145	AG MODULE
4	88702	3/8"NCx3/4" SQ HEAD SET SCREW		223146	WISHBONE 4 LEAD
5	88103	3/8"NC NUT		64597	35' HARNESS
6	22372	AMBER REFLECTOR	14	223123	PIVOT PLATE - R/B 240237
7	223126	LIGHT/REFLECTOR BRACKET	15	88386	3/8"NCx2-1/2"x3-1/4" U-BLT
8	88203	1/4"NCx1" BOLT			
9	223143	AMBER LIGHT			
	223144	RED LIGHT			
10	22371	RED REFLECTOR			

DECALS



WARNING

TO AVOID INJURY OR MACHINE DAMAGE:

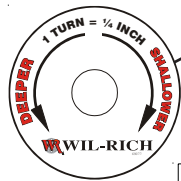
- BEFORE OPERATING, Study Operator's Manual, safety messages and safe operating procedures, read safety/signification messages.
- Transport on public roads - Observe Federal, State and Local regulations, display SMV emblem, attach proper strength implement safety chain, and limit maximum speed to 20mph (32km/h).
- Lower or block all elevated components before servicing or leveling this machine.

DANGER

CRUSHING HAZARD

To prevent serious injury or death:

- Do not stand between implement and moving tractor.
- Stop tractor engine and set park brake before installing pins.



DANGER

ELECTROCUTION HAZARD

To prevent serious injury or death:

- Stay away from power lines when transporting, extending or raising implement.
- Electrocutation can occur without contacting power lines.

WARNING

HIGH PRESSURE FLUID HAZARD

To prevent serious injury or death:

- Relieve pressure on system before repairing or adjusting or disconnecting.
- Wear proper hand and eye protection when searching for leaks. Use wood or cardboard instead of hands.
- Keep all components in good repair.

BY-PASS THIS END

CAUTION

TO AVOID INJURY AND/OR EQUIPMENT DAMAGE:

- This cylinder has an integral restricting orifice and must be replaced with an identical cylinder.

DANGER

STAND CLEAR AT ALL TIMES:

- Never walk or stand in the path of the wings.
- Completely lower the wings before performing service or adjustments.
- Failure to do so will result in serious injury or death.

ASSEMBLE SO DECAL IS READ FROM THE IMPLEMENT REAR.

CAUTION

FAILURE TO FOLLOW THESE INSTRUCTIONS MAY RESULT IN PERSONAL INJURY AND/OR EQUIPMENT DAMAGE.

- Just before and during operation be sure no one is on or around the implement.
- Before activating the hydraulic system, check hoses for proper connections.
- Before lowering the wings for the first time, make sure the entire system has been charged with oil.
- With wings down always install hydraulic cylinder channel lock(s) for transporting.

DANGER

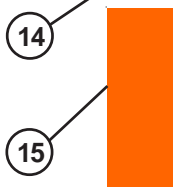
STAND CLEAR AT ALL TIMES:

- Never walk or stand in the path of the wings.
- Completely lower wings before performing service or adjustments.
- Failure to do so will result in serious injury or death.

CAUTION

FAILURE TO FOLLOW THESE INSTRUCTIONS MAY RESULT IN PERSONAL INJURY AND/OR EQUIPMENT DAMAGE.

- Just before and during operation be sure no one is on or around the implement.
- Before activating the hydraulic system, check hoses for proper connections.
- Before lowering the wings for the first time, make sure the entire system has been charged with oil.
- With wings down always install hydraulic cylinder channel lock(s) for transporting.



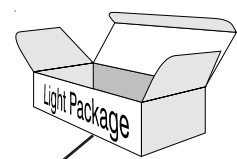
CAUTION

TO AVOID INJURY AND/OR MACHINE DAMAGE:

- Refer to Operator's Manual for safety instructions.
- Do not start or stop the machine when operating.
- Use clean hazard flashers and SMV sign when transporting.
- Observe Highway traffic regulations.

PARTS MANUAL

WIL-RICH
EXCEL/QUAD X
3 & 5 SECTION
CULTIVATORS



ITEM	PART NO	DESCRIPTION	ITEM	PART NO	DESCRIPTION
1	65342	WIL-RICH DECAL 3-5/8" x23-7/8"	13	54903	MAIN DOWN DECAL
2	69378	EXCEL DECAL KIT	14	49165	CAUTION DECAL
3	60711	HIGH PRESSURE FLUID HAZARD	15	22372	AMBER REFLECTOR
4	20121	INTEGRAL RESTRICTOR DECAL	16	22371	RED REFLECTOR
5	20339	BYPASS DECAL	17	23325	CAUTION DECAL - READ
6	41345	SMV KIT	18	74287	QUAD X/EXCEL PARTS MANUAL
7	41508	WING LOCK DANGER DECAL	19	64594	CLEARANCE LIGHT PACKAGE
8	53334	CAUTION DECAL	20	69304	DEPTH GAUGE DECAL
9	49163	WING LOCK DANGER DECAL	21	69077	DEPTH ADJUSTMENT DECAL
10	54900	WINGS UP DECAL	22	222802	CRUSHING DECAL
11	54901	WINGS DOWN DECAL	23	24227	WARNING DECAL-OPERATING
12	54902	MAIN UP DECAL	24	222801	ELECTROCUTION DECAL
			25	222339	QUAD X DECAL

