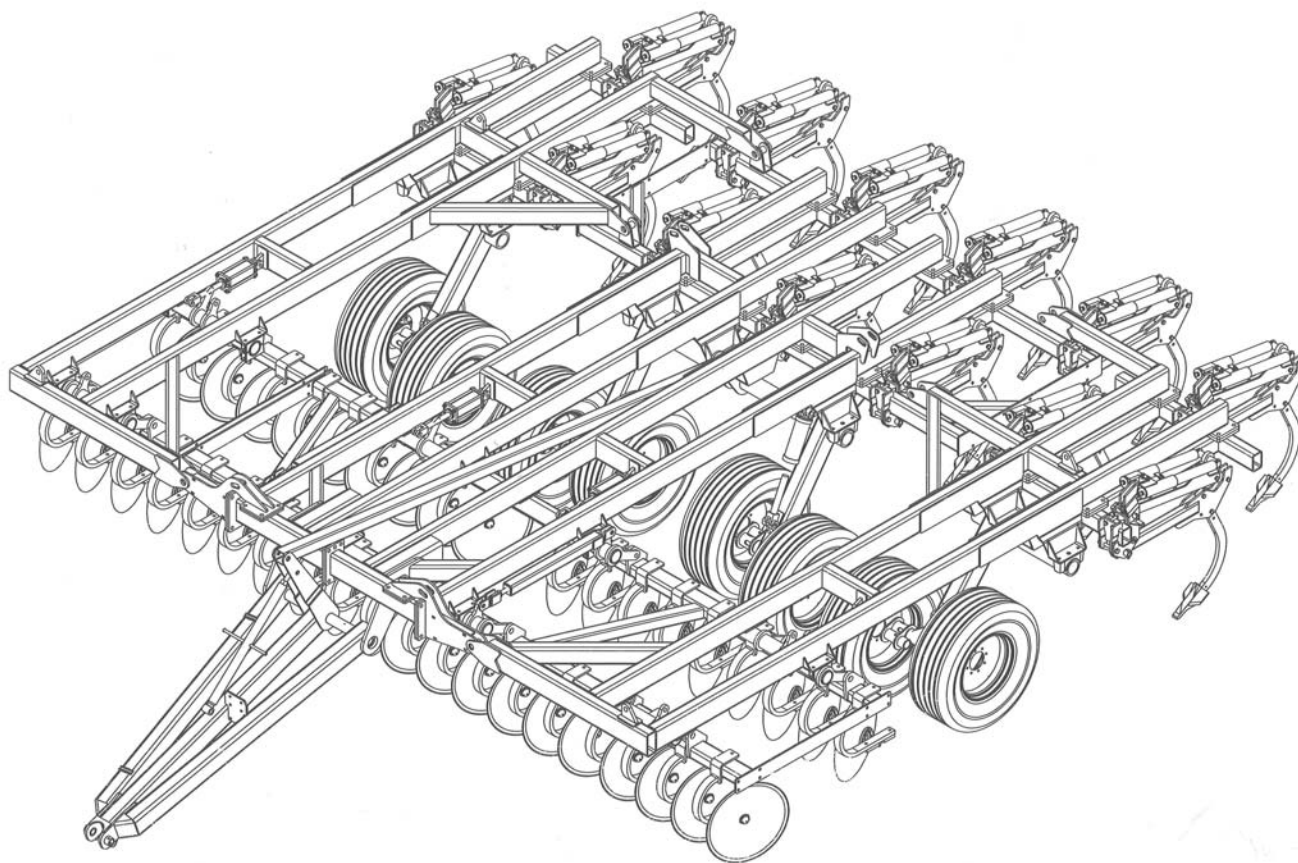




# PARTS MANUAL



Serial # 456654 and up

**SOILPRO 513**

Printed in USA (74327) 2/15

 **WIL-RICH**

PO Box 1030  
Wahpeton, ND 58074  
PH (701) 642-2621  
Fax (701) 642-3372  
[WWW.WIL-RICH.COM](http://WWW.WIL-RICH.COM)

## Orientation

Any reference to left (L) or right (R) sides or components is to be understood as being viewed from behind the implement and looking forward.

## Serial Number Break

Every implement has a serial number located on the frame. These serial numbers are consecutively assigned to the implements as they are manufactured. To aid in part ordering, we reference to the serial number at the point the change occurred to provide an accurate means of determining the proper parts.

## Abbreviations

ASSY .....	Assembly
BLD .....	Blade
BRKT .....	Bracket
CTR .....	Center
CP .....	Cup Point
(FF) .....	Female Female
GR .....	Grade of Bolt
HD .....	Heavy Duty
HDWE .....	Hardware
LH .....	Left Hand
(MF) .....	Male Female
MF .....	Main Frame
MTG .....	Mounting
NC .....	National Course Thread
NF .....	National Fine Thread
NPT .....	National Pipe Thread
RH .....	Right Hand
SS .....	Screw Stop
SST .....	Stainless Steel
TA .....	Tandem
TBP .....	Top Bypass
W/ .....	With
W/O .....	Without
BLT .....	Bolt
2POSLK .....	2 Position lock
HLK .....	Hex lock
WSHR .....	Washer
ADP .....	Adapter
ELB .....	Elbow
HSE .....	Hose
WHL .....	Wheel
BRG .....	Bearing
BLK .....	Black
SPNDL .....	Spindle
SLTD .....	slotted
FTG .....	Fitting
GRS .....	Grease
HYD .....	Hydraulic
SEQ .....	Sequence
QTY .....	Quantity
SEC .....	Section
FT .....	Foot
CRG .....	Carriage
FB .....	Flat Bar
DIA .....	Diameter
HR .....	Hour

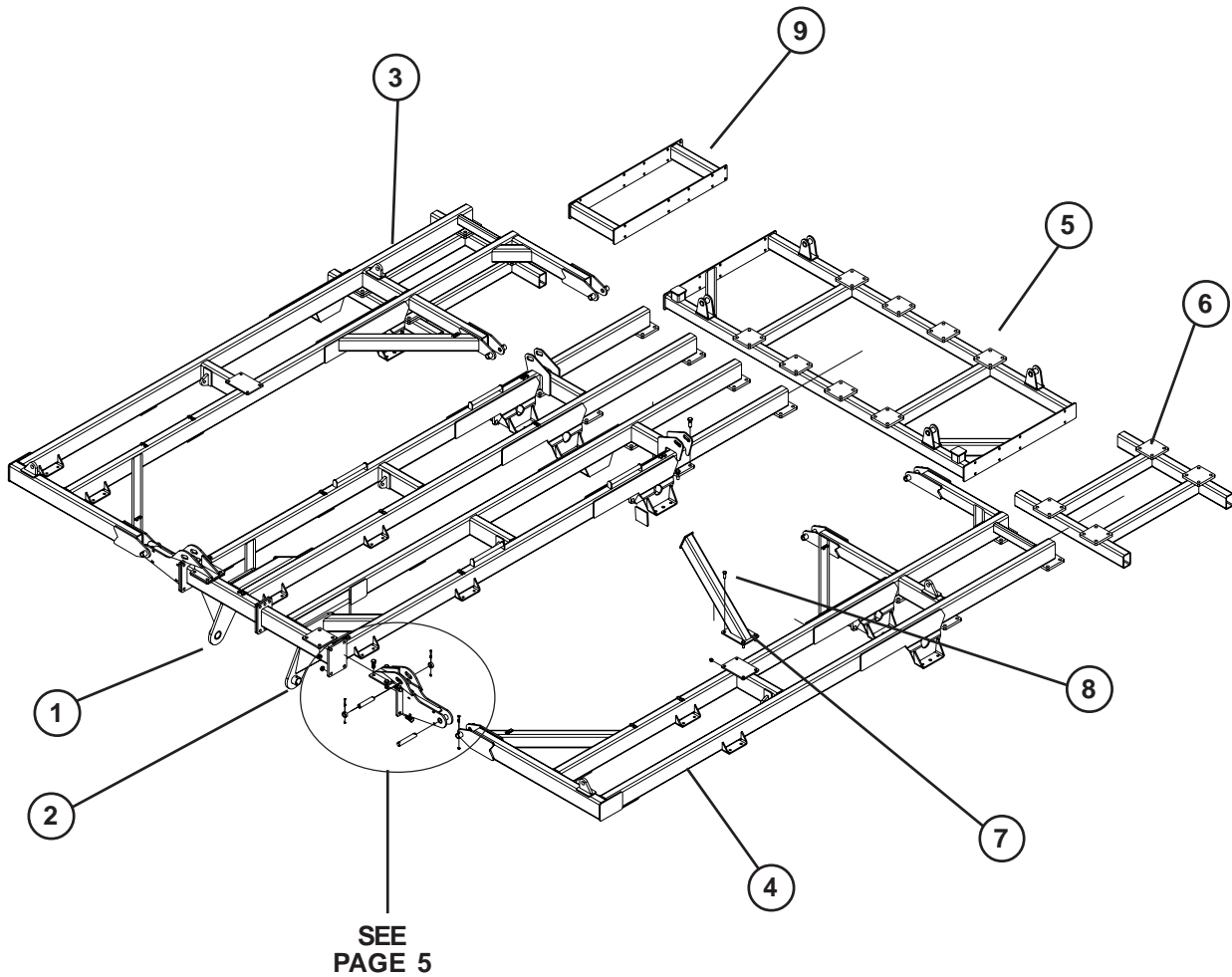
## Modifications

It is the policy of WIL-RICH Operations to improve its products whenever possible and practical to do so. We reserve the right to make changes, improvements, and modifications at any time without incurring the obligation to make such changes, improvements and modifications on any equipment sold previously.

# **CONTENTS**

FRAMES .....	4
HINGE 11 & 13 SHANK .....	5
FOLDING SHANK FRAME 9 SHANK .....	6
HITCH.....	7
HYDRAULIC JACK .....	8
UTILITY POLE .....	9
AXLE .....	10
WALKER .....	11
DISC COULTER FRAMES .....	14
DISC FRAME 9 SHANK FOLDING .....	13
COULTER .....	14
COULTER HUB AND SPINDLE .....	15
SHANK .....	16-17
8-BOLT 2-1/2" HUB AND SPINDLE .....	18
LIFT HYDRAULICS - 5, 7 & 9 .....	19
LIFT HYDRAULICS - 11 & 13 .....	20
DISC LIFT HYDRAULICS - 5, 7 & 9 .....	21
DISC LIFT HYDRAULICS - 11 & 13 .....	22
FOLD HYDRAULICS 11 & 13 .....	23
FOLD HYDRAULICS 9 SHANK.....	24
DISC LIFT CYLINDERS .....	25
MAIN LIFT CYLINDERS .....	26
FOLDING CYLINDERS .....	27
HARROW ARM .....	28
3-BAR HARROW SECTION .....	29
HARROW/BASKET SECTION .....	30
FLAT BAR BASKET .....	31
4-BAR HARROW SECTION .....	32
SPANNER TUBE .....	33
SPIKE TOOTH HARROW MNT .....	34
SPIKE TOOTH HARROW SECTION .....	35
RIPPER SHANK POINTS .....	36
LIGHTS .....	37
DECALS .....	38
SMV SIGN .....	39
WARRENTY .....	40

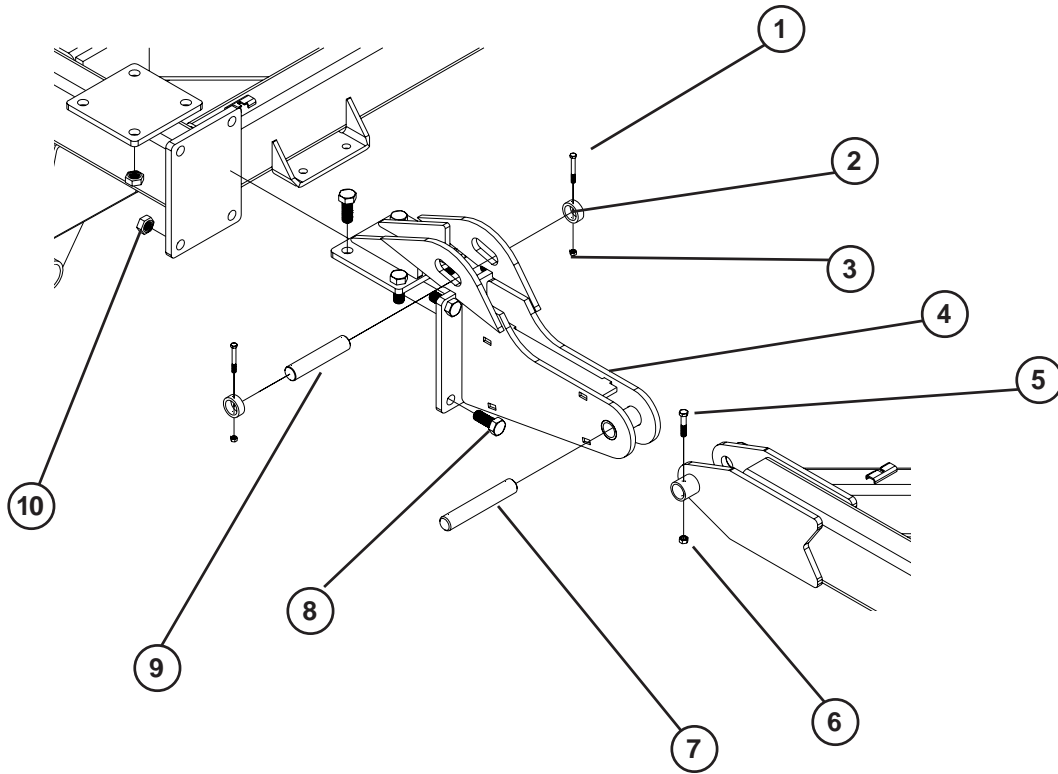
# FRAMES



700805

ITEM	PART NO.	DESCRIPTION
1	247204	FRAME WELD RH
2	247205	FRAME WELD LH
3	247188	RIGHT WING WELD
4	247189	LEFT WING WELD
5	247185	MAIN FRAME SHANK FRAME (24" SPACING)
	247949	MAIN FRAME SHANK FRAME (30" SPACING)
6	247190	WING SHANK FRAME
7	247477	WING REST
8	88604	BLT HEX 3/4-10NCX2 5Z
9	247209	SHANK STUB WELD

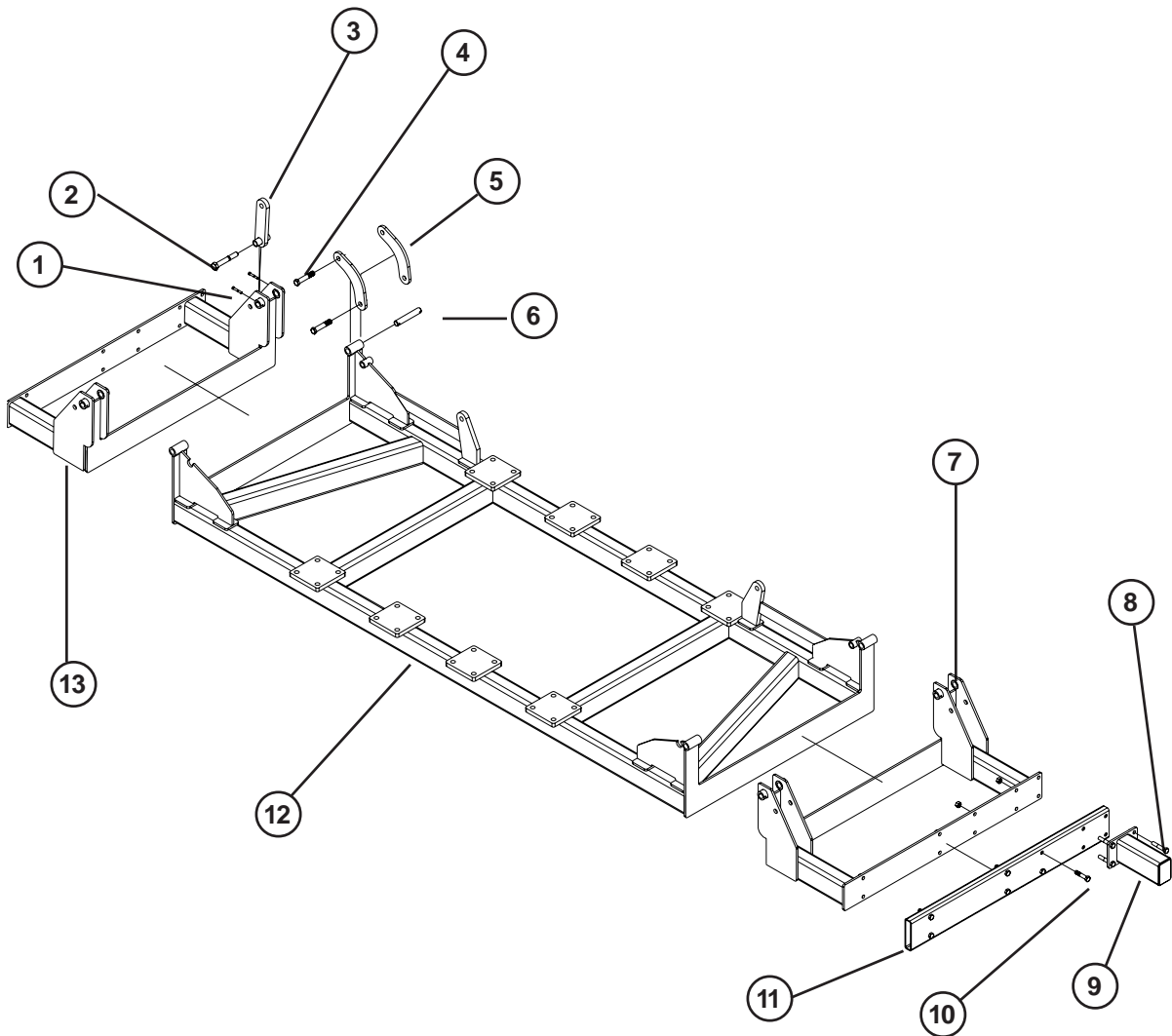
# HINGE 11 & 13 SHANK



700805

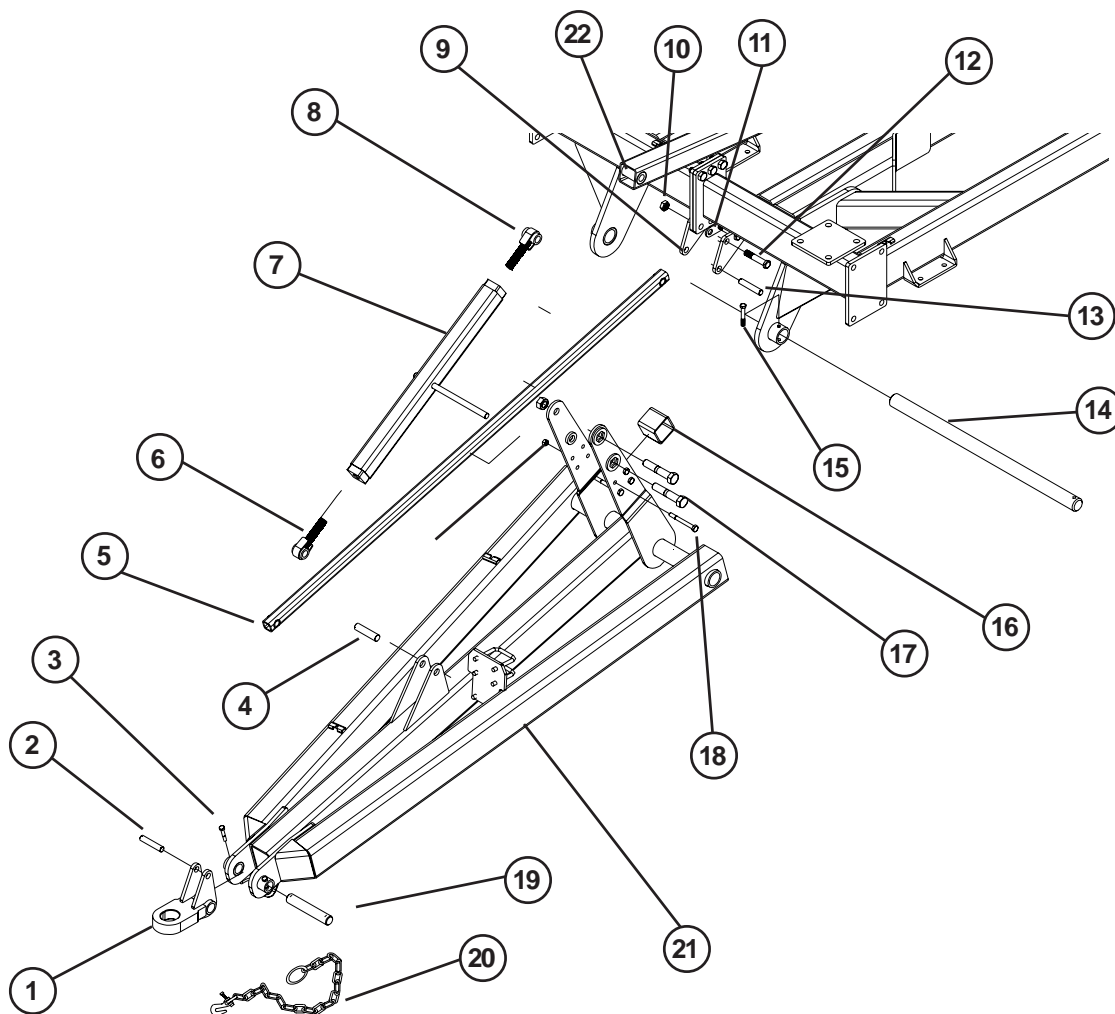
ITEM	PART NO.	DESCRIPTION
1	89012	BLT HEX 3/8-16NCX2-1/2 5Z
2	244541	END COLLAR (ZINC)
3	88162	NUT 2POSLK 3/8-16NC 5
4	247187	HINGE WELD
5	88410	BLT HEX 1/2-13NCX2-1/2 5Z
6	88363	NUT 2POSLK 1/2-13NC 5Z
7	238524	PIN 1-1/2 X 9-1/4 (ZINC)
8	88393	BLT HEX 1-8NCX2-1/2 5Z
9	247258	HEADLESS PIN 1-1/2 X 7-1/2
10	88348	NUT 2POSLK 1-8NC 5Z

# FOLDING SHANK FRAME 9 SHANK



700922

ITEM	PART NO.	DESCRIPTION
1	89012	BLT HEX 3/8-16NC X 2-1/2 5Z
2	88666	BLT HEX 1-8NC X 6-1/2 5Z
3	354669	FOLD LINK
4	88312	BLT HEX 1-8NC X 5 5Z
5	352460	STRAP
6	238516	PIN (ZINC)
7	354666	9-24 FOLDING WING (LH)
8	88272	BLT HEX 3/4-10NC X 4 5Z
9	354693	STUB WELD
10	88111	BLT HEX 3/4-10NC X 3-1/2 5Z
11	355915	TUBE
12	351418	SHANK FRAME WELD SOILPRO 9-24 FOLD
13	351424	9-24 FOLDING WING (RH)



700806

**ITEM PART NO. DESCRIPTION**

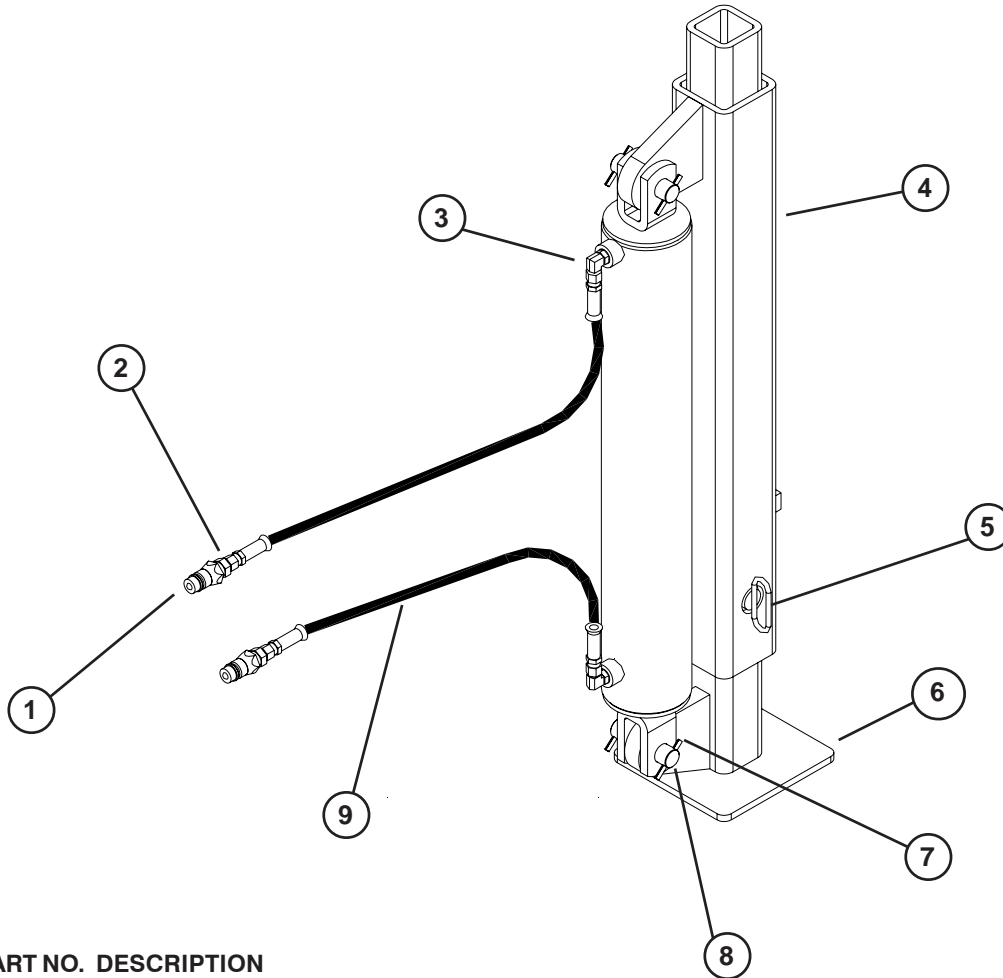
1	247943	CAT V HITCH
2	42430	HEADLESS PIN(2) 1X3-7/16
3	88940	BLT HEX 1/2-13NC X 3 8YZ
4	68031	HEADLESS PIN 1-1/4"x5-1/8"
5	247117	LEVELING TUBE WELD
6	234731	LOWER ROD WELD - RH THREADS
7	247985	ADJUST ARM
8	234734	UPPER ROD WELD - LH THREADED
9	247210	LEVELING PLATE (PAINTED)
10	88348	NUT 2POS LK 1-8NC 5Z
11	247211	SPACER PLATE (PAINTED)
12	88312	BLT HEX 1-8NC X 5 5Z
13	42430	HEADLESS PIN(2) 1X3-7/16
14	69950	HEADLESS PIN(1) 2-1/2X44-11/16
15	88298	WSHR HLK 7/16ID(1/2ACT) Z

**ITEM PART NO. DESCRIPTION**

16	247137	TUBE
17	11638	HITCH BOLT
18	88295	BLT HEX 5/8-11NC X 6 5Z
19	69948	HEADLESS PIN(1) 1-3/4X9
20	238225	SAFETY CHAIN
21	247203	HITCH WELD
22	247140	LEVELING TUBE WELD
	88430	LEVELING TUBE LOCK NUT

UTILITY POLE SEE PAGE 9

# HYDRAULIC JACK

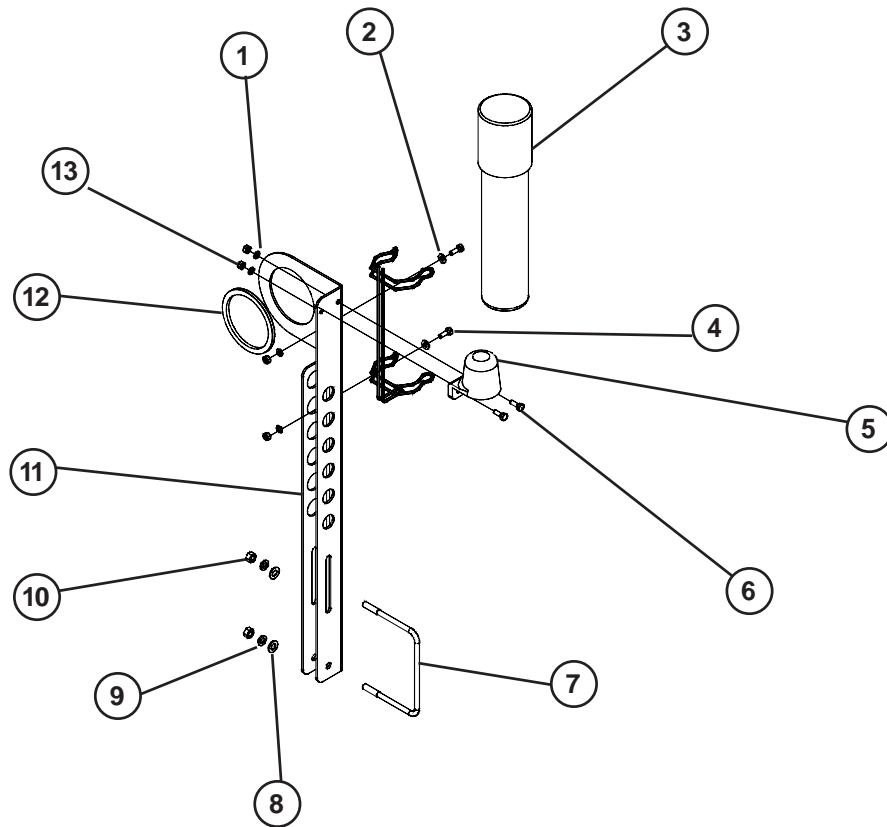


ITEM	PART NO.	DESCRIPTION
1	247425	QUICK COUPLER 8 ORB
2	58543	ADP 6 MJ X 8 MORB
3	61239	ELB 6MJ X 6MORB
4	239728	JACK TUBE WELDMENT (PRIOR TO SERIAL # 461200)
	352490	JACK TUBE WELDMENT (AFTER SERIAL # 461201)
5	23011	HITCH PIN 1-1/8X4-3/4
6	239727	JACK LEG WELDMENT (PRIOR TO SERIAL # 461200)
	352487	JACK LEG WELDMENT (AFTER SERIAL # 461201)
7	42484	PIN ROLL 1/4 X 2-1/4 Z
8	221714	HEADLESS PIN(2) 1X4.00
9	233687	HSE 3KPSI 1/4X168 6FJX-6FJX
10	51241F	CYL,HYD 3X24 (PRIOR TO SERIAL # 461200)
	51242F	CYL,HYD 3X30 (AFTER SERIAL # 461201)

700127

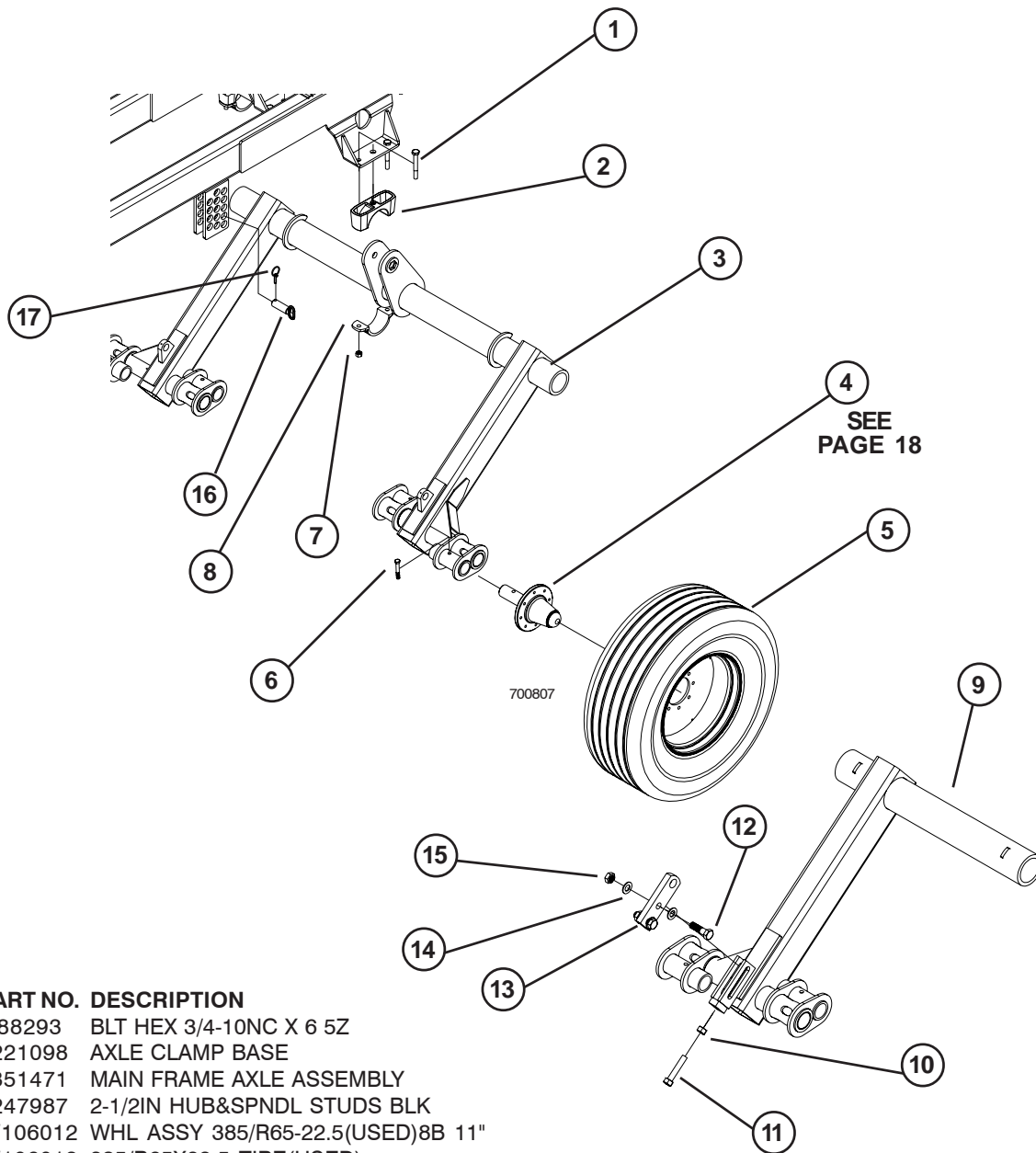


# UTILITY POLE

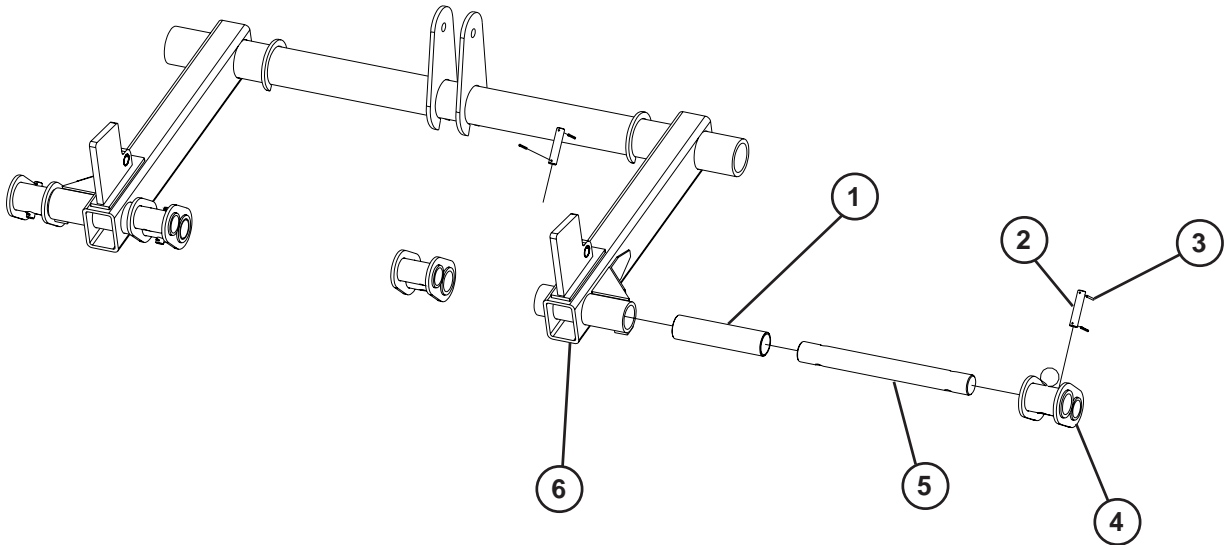


ITEM	PART NO.	DESCRIPTION
1	88262	WSHR HLK 1/4ID(5/16ACT) Z
2	88261	WSHR FLAT 1/4(5/16 X 3/4ACT) Z
3	23431	STORAGE TUBE-OWNERS MANUAL3
4	88993	BLT HEX 1/4-20NC X 3/4 5Z
5	223329	PLUG HOLDER
6	88203	BLT HEX 1/4-20NC X 1 5Z
7	89279	BLT-U 3/8-16NC X 7 X 6-1/4 Z
8	88282	WSHR FLAT 3/8(7/16 X 1ACT) Z
9	88362	WSHR HLK 3/8ID Z
10	88103	NUT HEX 3/8-16NC 5Z
11	236142	FORMED CHANNEL-HYD HOSE BRKT
12	98231	WEATHER STRIPING
13	88172	NUT HEX 1/4-20NC 5Z

# AXLE

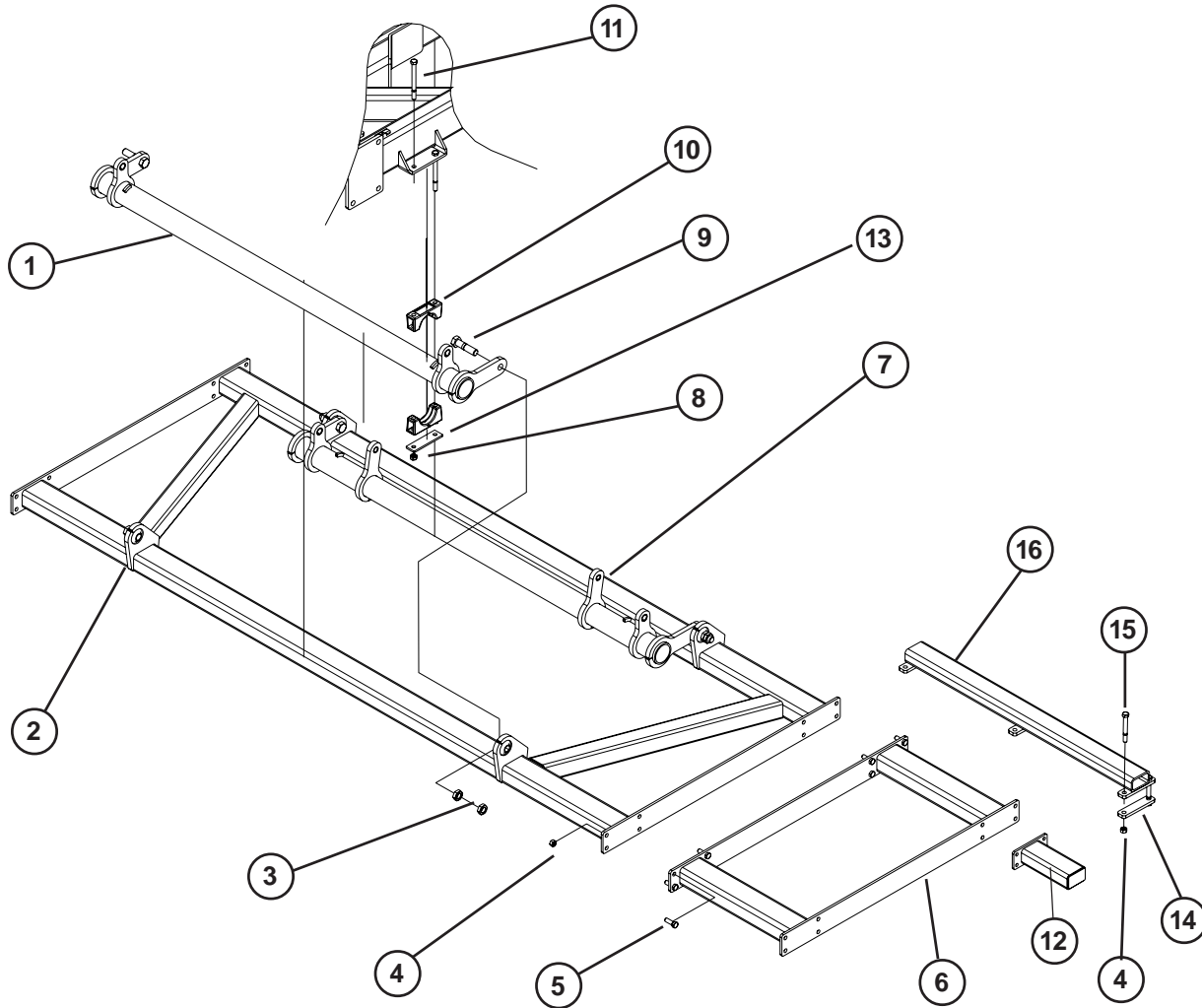


ITEM	PART NO.	DESCRIPTION
1	88293	BLT HEX 3/4-10NC X 6 5Z
2	221098	AXLE CLAMP BASE
3	351471	MAIN FRAME AXLE ASSEMBLY
4	247987	2-1/2IN HUB&SPNDL STUDS BLK
5	W106012	WHL ASSY 385/R65-22.5(USED)8B 11"
	W106013	385/R65X22.5 TIRE(USED)
	W106014	8 BOLT RIM 385/65R22.5
6	88381	BLT HEX 5/8-11NC X 4-1/2 5Z
7	88356	NUT 2POSLK 3/4-10NC 5Z
8	221097	AXLE CLAMP CAP
9	351476	RIGHT WING AXLE ASSEMBLY
	351477	LEFT WING AXLE ASSEMBLY (SHOWN)
10	88371	NUT HEX 7/8-9NC 5Z
11	246502	ADJUST BOLT
12	88447	BLT HEX 1-8NC X 3-1/2 5Z
13	246505	PLATE
14	88738	WSHR FLAT 1SAE(1-1/16 X 2ACT) Z
15	88348	NUT 2POSLK 1-8NC 5Z
16	351106	1-1/2 HITCH PIN
17	351107	7/16 X 1-31/32 LYNCH PIN-PLATED



ITEM	PART NO.	DESCRIPTION
1	350819	PLASTIC BEARING
2	350843	PIN
3	88767	PIN ROLL 1/4DIA X 2-1/2 Z
4	354064	AXLE WALKER - PIN STYLE
5	351114	SHAFT WALKER PIN STYLE
6	351470	MAIN AXLE WELD- SOILPRO PLASTIC
	351474	WING AXLE WELD RH PLASTIC
	351475	WING AXLE WELD LH PLASTIC

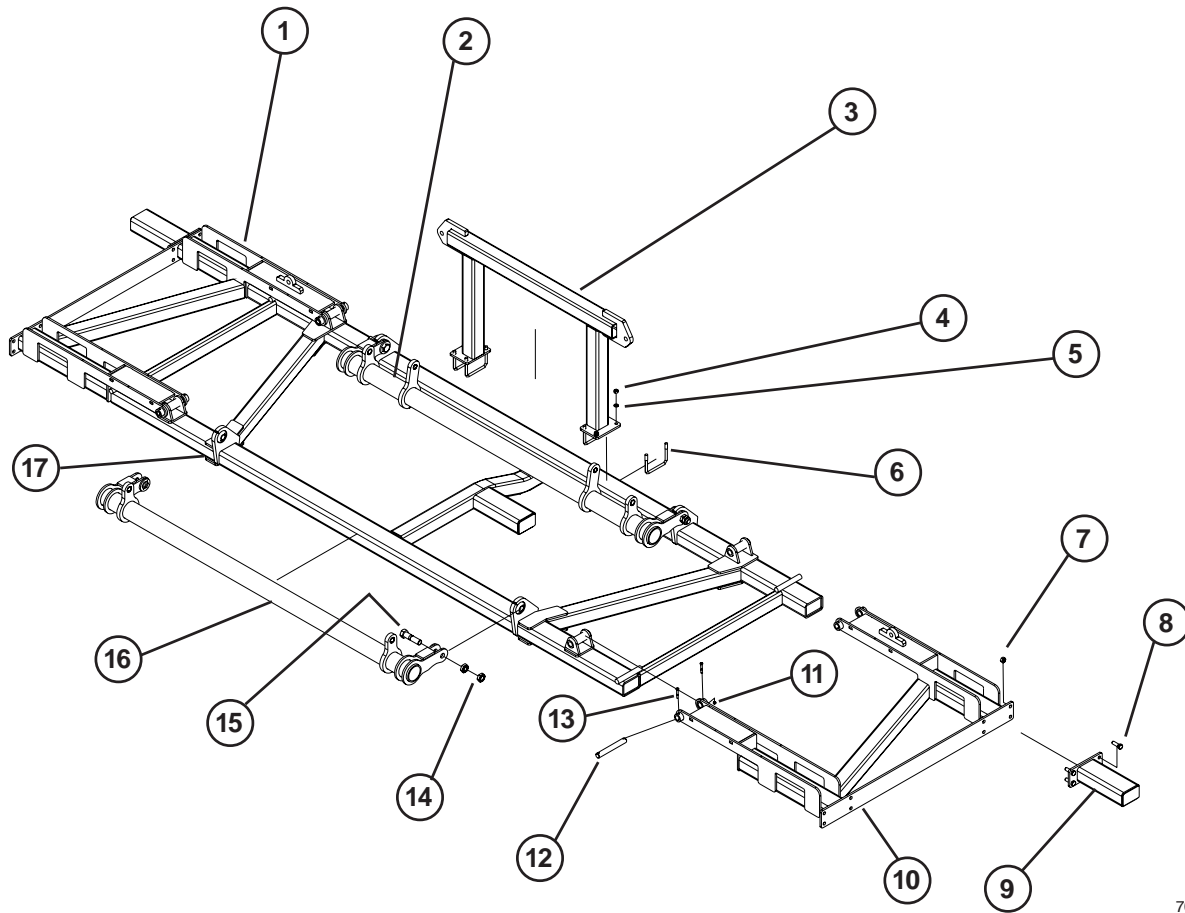
# DISC COULTER FRAMES



700808

ITEM	PART NO.	DESCRIPTION
1	247186	FRONT MAIN FRAME DISC ROCK SHAFT
	247194	FRONT RIGHT WING DISC ROCK SHAFT
	247195	FRONT LEFT WING DISC ROCK SHAFT
2	247183	MAIN FRAME DISC FRAME
	247196	RIGHT WING DISC FRAME
	247197	LEFT WING DISC FRAME
3	88622	NUT JAM 1-1/4-7NC 5Z
4	88356	NUT 2POSLK 3/4-10NC 5Z
	88604	BLT HEX 3/4-10NC X 2 5Z
6	247207	DISC GANG STUB WELD (SHOWN)
	247191	REAR MAIN FRAME DISC ROCKSHAFT
7	247192	REAR RIGHT WING DISC ROCK SHAFT
	247193	REAR LEFT WING DISC ROCK SHAFT
8	88356	NUT 2POSLK 3/4-10NC 5Z
	89027	BLT HEX 1-1/4 - 7NC X 5 5Z
10	34132	AXLE CLAMP ASSEMBLY (RED)
	88487	BLT HEX 3/4-10NC X 8-1/2 5Z
12	247229	STUB WELD
13	350695	PLATE
14	351159	PLATE
15	88947	BLT HEX 3/4-10NC X 6 8YZ
16	351151	TUBE WELD

# DISC FRAMES 9 SHANK FOLDING

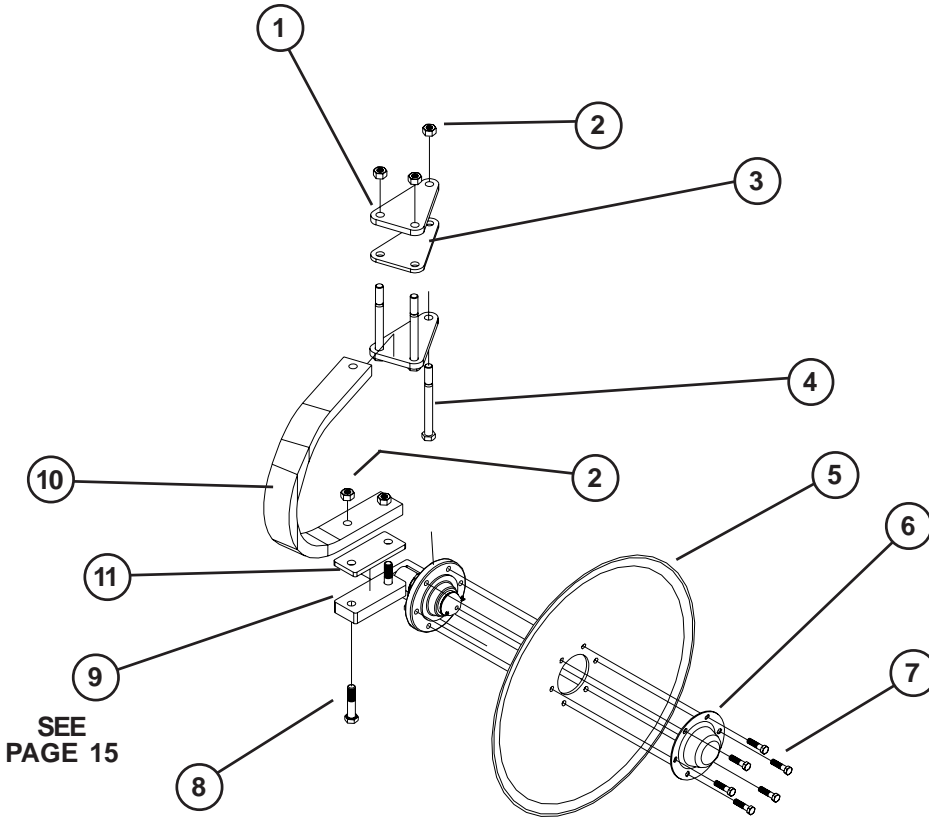


700923

## ITEM PART NO. DESCRIPTION

ITEM	PART NO.	DESCRIPTION
1	354622	WING SOILPRO RH
2	247191	REAR MAIN FRAME DISC GANG ROCKSHAFT
3	354654	ANCHOR WELD
4	88126	NUT HEX 5/8-11NC 5Z
5	88129	WSHR HLK 5/8ID(11/16ACT) Z
6	89093	BLT-U 5/8-11NC X 6 X 5-1/2 Z
7	88356	NUT 2POSLK 3/4-10NC 5Z
8	88604	BLT HEX 3/4-10NC X 2 5Z
9	247229	STUB WELD
10	354623	WING SOILPRO LH
11	88162	NUT 2POSLK 3/8-16NC 5Z
12	352403	PIN
13	88489	BLT HEX 3/8-16NC X 2-1/2 8YZ
14	88622	NUT JAM 1-1/4-7NC 5Z
15	89027	BLT HEX 1-1/4 - 7NC X 5 5Z
16	247186	FRONT MAIN FRAME DISC GANG ROCK SHA
17	353360	MAIN FRAME DISC FRAME FOLD

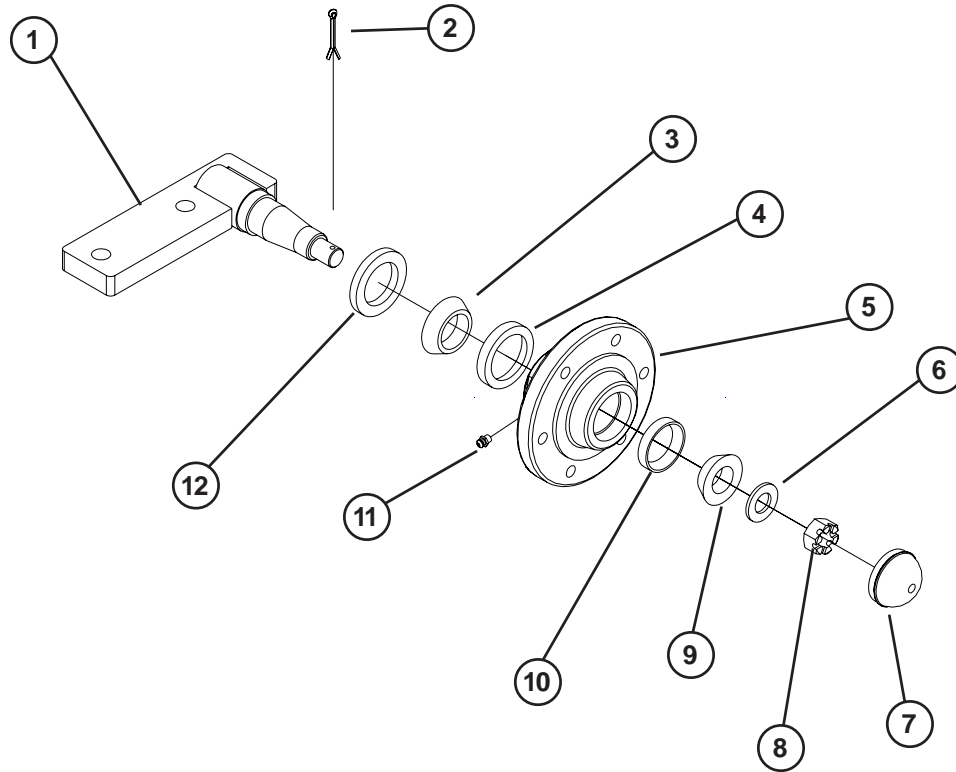
# COULTER



700810

ITEM	PART NO.	DESCRIPTION
1	351111	COULTER PLATE
2	89080	NUT HEX 3/4-10NC 8YZ
3	351111	COULTER PLATE
4	89408	BLT HEX 3/4-NC X 8 8YZ
5	247128	28 IN DISC BLADE
	247129	26 IN DISC BLADE
	247126	22 IN DISC BLADE
	354012	28 IN DISC BLADE RAZOR
6	56951	DUST COVER,6-BOLT
7	88679	BLT HEX 1/2-13NC X 2 5Z
8	88953	BLT HEX 3/4-10NC X 4-1/2 8YZ
9	247134	COULTER SPINDLE ASSEMBLY
10	247981	C-SPRING LH (SHOWN)
	247988	C-SPRING RH
11	350646	PLATE (1/2" THICK)
	354046	PLATE (1" THICK)
	354042	ANGLED SHIM PLATE

# COULTER HUB AND SPINDLE

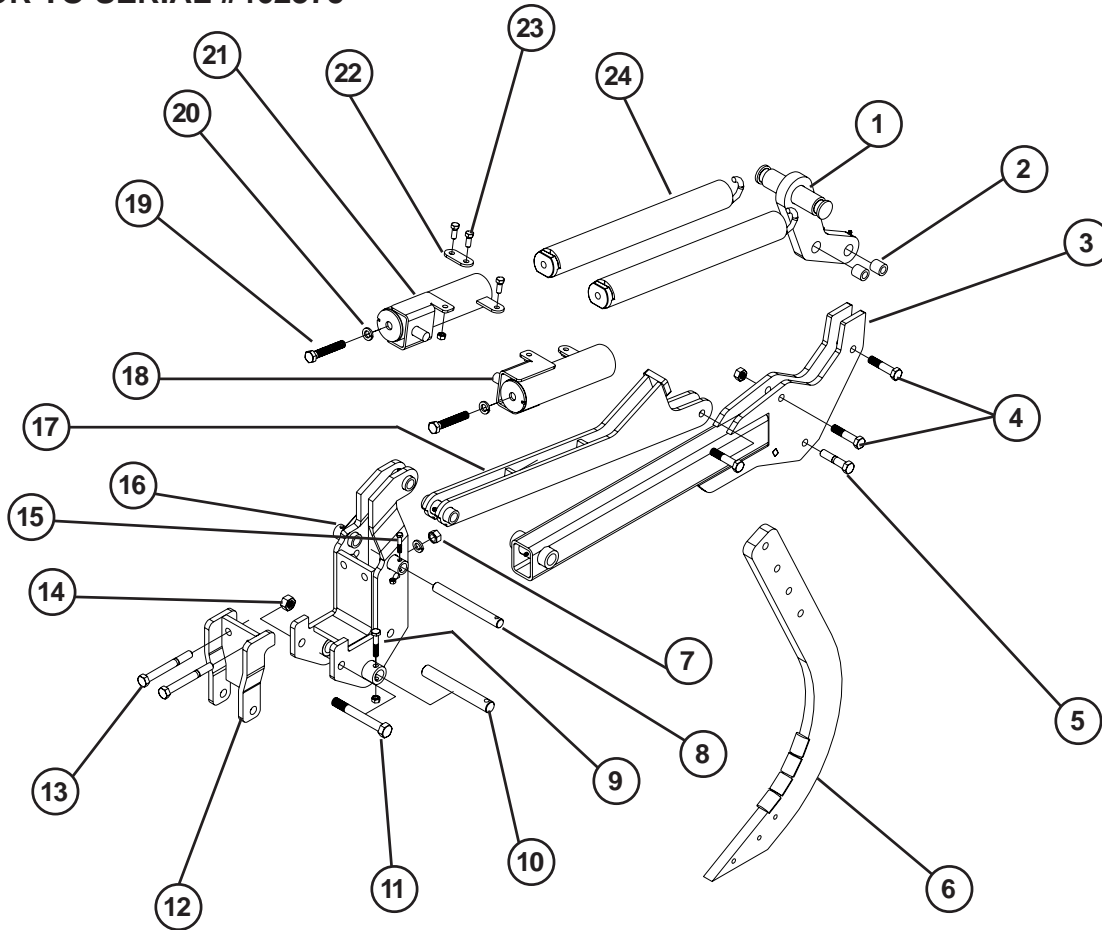


700811

ITEM	PART NO.	DESCRIPTION
	247134	COULTER SPINDLE COMPLETE
1	247980	SPINDLE WELD
2	88301	PIN COT 3/16DIA X 1-1/2 Z
3	14248	1.625BORE BRG CONE(LM501349)
4	14249	BEARING CUP 2.891OD (LM501310)
5	58953	6 BOLT CUTTER HUB W/CUPS (BLACK)
6	16094	SPINDLE WASHER 7/8ID
7	11381	DUST CAP
8	88340	NUT SLTD 7/8-14NF 5Z
9	10345	BEARING CONE 1-1/4ID (LM67048)
10	10344	BEARING CUP 2.328 OD (LM67010)
11	88263	FTG GRS 1/8NPT 1610-BL(11/16")
12	58546	2" TRIPLE LIP SEAL

# SHANK ASSEMBLY

PRIOR TO SERIAL #462375



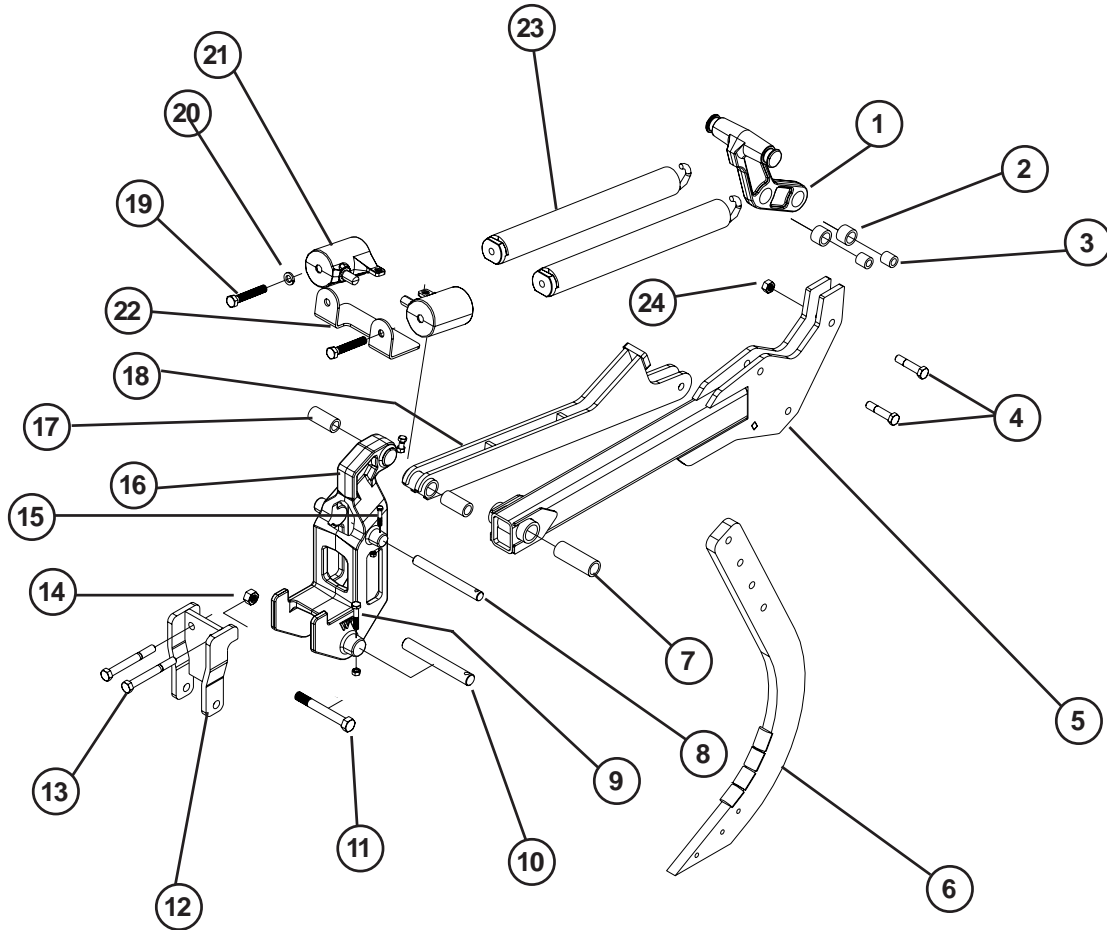
700812

ITEM	PART NO.	DESCRIPTION	ITEM	PART NO.	DESCRIPTION
1	239801	LINK ARM WELD-REAR DOG LEG	19	10210	ADJUSTMENT BOLT
2	69825	BUSHING	20	88130	WSHR HLK 3/4ID(13/16ACT) Z
3	351104	SHANK ARM WELD	21	237863	SPRING CANISTER WELD RH-SINGLE
4	64409	3/4NC X 3-1/2GR8 PIVOT BLT(GOLD)	22	239804	STRAP-FRONT SPRING CONNECTION
5	89401	TAP BLT HEX 3/4 X 3-1/2 5Z	23	88554	BLT HEX 1/2-13NC X 1-1/4 5Z
6	247977	513 SHANK WELD W/SHIN GUARD	24	221209	SPRING PLUG ASSY
7	88110	NUT HEX 3/4-10NC 5Z			
8	239416	UPPER PIN 1 X 9-5/16			
9	88585	BLT HEX 1/2-13NC X 2-3/4 5Z			
10	239417	LOWER PIN 1-1/4 X 9-5/16			
11	88436	BLT HEX 7/8-9NC X 7 8YZ			
12	234397C	LOCKING BRACKET			
13	88600	BLT HEX 3/4-10NC X 6-1/2 8Z			
14	88371	NUT HEX 7/8-9NC 5Z			
15	89011	BLT HEX 3/8-16NC X 2 5Z			
16	239639	MOUNTING BRACKET WELD-SHANK ARM			
17	239699	TOP LINK ARM WELD			
18	239813	SPRING CANISTER WELD-SINGLE LH			



# SHANK ASSEMBLY

AFTER SERIAL #462375

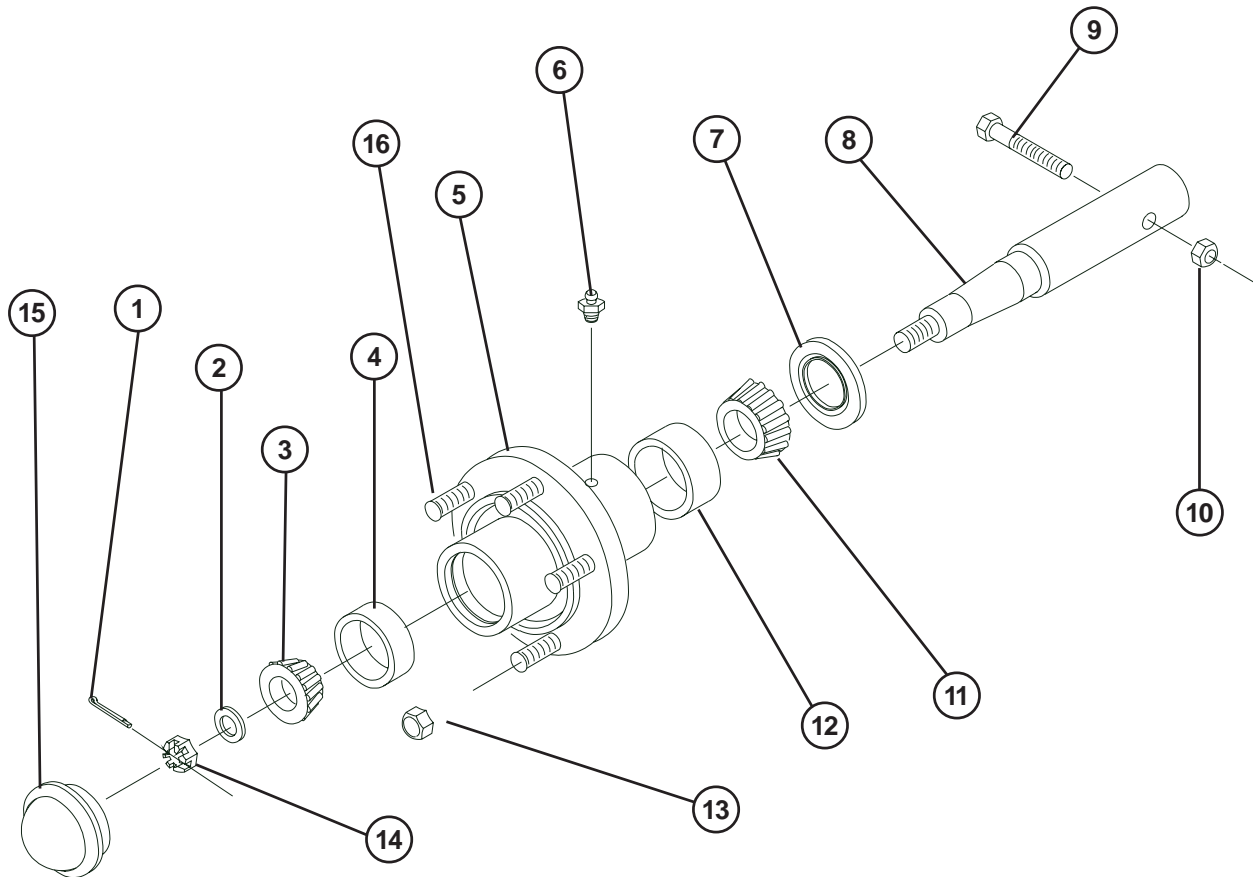


700920

ITEM	PART NO.	DESCRIPTION
1	353339	LINK ARM-REAR DOG LEG
2	353305	PLASTIC BUSHING - DOG LEG
3	69825	BUSHING
4	64409	3/4NC X 3-1/2GR8 PIVOT BLT(GOLD)
5	353321	SHANK ARM WELD
6	247977	513 SHANK WELD W/SHIN GUARD
7	353307	PLASTIC BUSHING -MAIN PIVOT
8	239416	UPPER PIN 1 X 9-5/16
9	88585	BLT HEX 1/2-13NC X 2-3/4 5Z
10	239417	LOWER PIN 1-1/4 X 9-5/16
11	88436	BLT HEX 7/8-9NC X 7 8YZ
12	234397C	LOCKING BRACKET
13	88600	BLT HEX 3/4-10NC X 6-1/2 8Z
14	88371	NUT HEX 7/8-9NC 5Z
15	89011	BLT HEX 3/8-16NC X 2 5Z
16	353341	MOUNTING BRACKET-SHANK ARM
17	353306	PLASTIC BUSHING - UPPER PIVOT
18	353331	TOP LINK ARM WELD

ITEM	PART NO.	DESCRIPTION
19	10210	ADJUSTMENT BOLT
20	88130	WSHR HLK 3/4ID(13/16ACT) Z
21	353308	SPRING CANISTER
22	353348	PLATE
23	221209	SPRING PLUG ASSY
24	88356	NUT 2POSLK 3/4-10NC 5Z

# 8-BOLT HUB & 2-1/2" SPINDLE

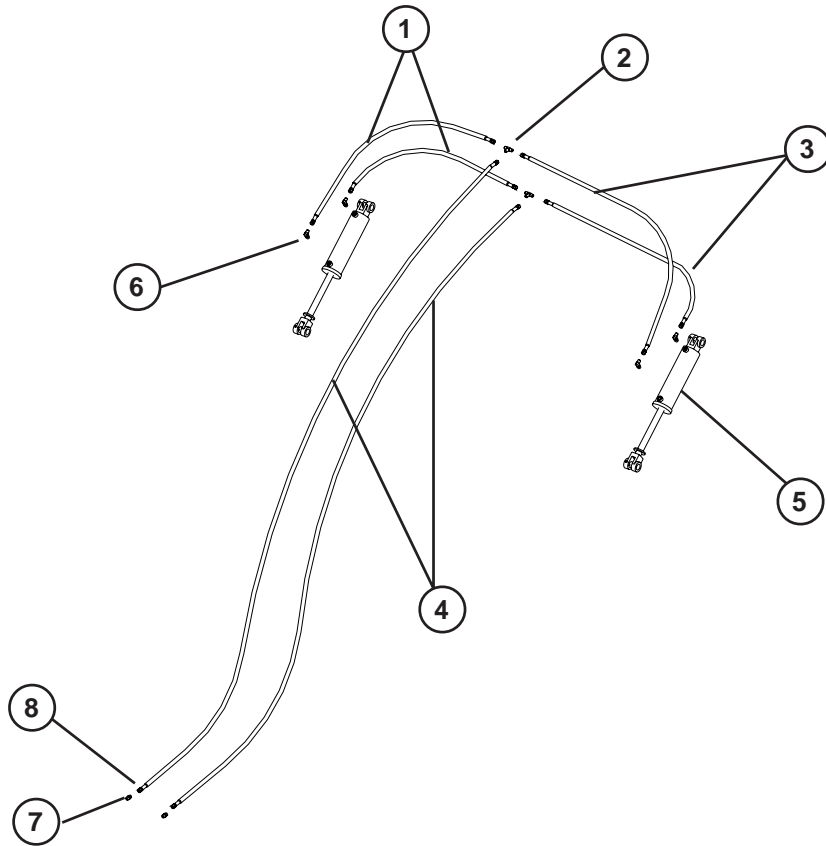


700813

ITEM	PART NO	DESCRIPTION
	247987	2-1/2" HUB & SPINDLE (INCLUDES ITEMS 1-8 & 11-15)
1	88133	3/16"x2" COTTER PIN (2-1/2")
2	64050	HARD WSHR 2-1/2"ODx1-1/16"ID
3	16081	OUTER BEARING CONE (2-1/2")
4	16082	OUTER BEARING CUP (2-1/2")
5	W1550	8 BOLT HUB 2-1/2" SPINDLE (INCLUDES ITEMS 4, 6, 12 & 16)
6	88143	1/4 GREASE FITTING (2-1/2")
7	235298	2-1/2" SPINDLE SEAL

ITEM	PART NO	DESCRIPTION
8	16156	2-1/2" SPINDLE
9	88381	5/8"NCx4-1/2" GR5 BOLT (2-1/2")
10	88369	5/8"NC LOCK NUT
11	16083	INNER BEARING CONE (2-1/2")
12	16084	INNER BEARING CUP (2-1/2")
13	W103636	9/16-18 NF STUD NUT
14	88299	1"NF SLOTTED NUT (2-1/2")
15	16077	HUB CAP (2-1/2")
16	W104213	STUD BOLT 9/16X18NF

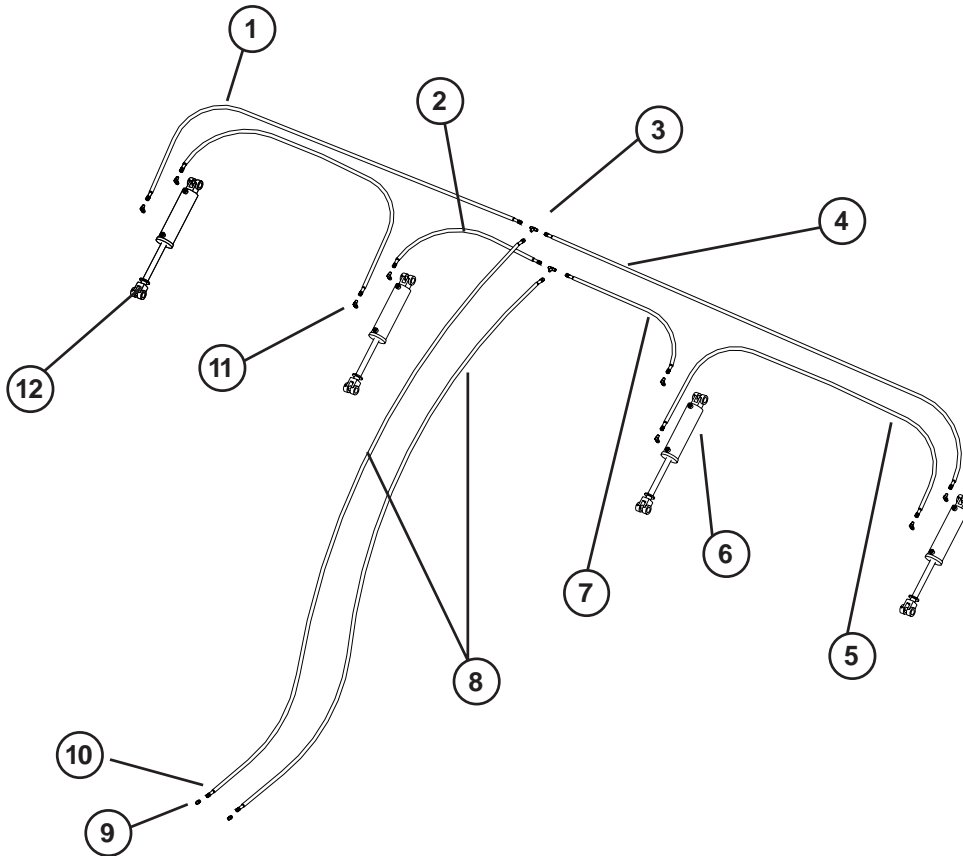
# LIFT HYDRAULIC - RIGID



700815

ITEM	PART NO.	DESCRIPTION
1	13265	HSE 3KPSI 3/8X56 8FJX-8FJX
2	13238	TEE 8MJ X 8MJ X 8MJ
3	56540	HSE 3KPSI 3/8X89 8FJX-8FJX
4	209032	HSE 3KPSI 1/2X348 8FJX-8FJX
5	353372	LIFT CYLINDER 4 1/2 X 12
	353398	CYLINDER ANCHOR BUSHING
6	25580	ELB 8MORB X 8MJ
7	247425	QUICK COUPLER 8 ORB
8	24024	ADP 8MORB X 8MJ

# LIFT HYDRAULIC - FOLDING 11 & 13 SHANK

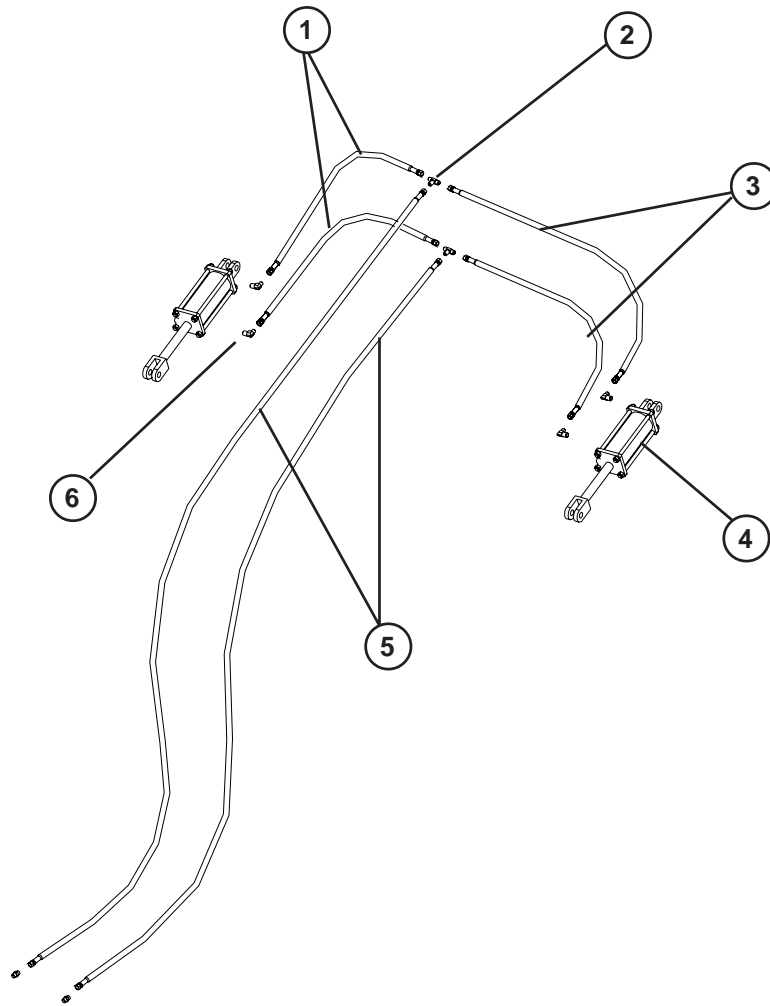


700816

## ITEM PART NO. DESCRIPTION

ITEM	PART NO.	DESCRIPTION
1	67634	HSE 3KPSI 3/8X132 8FJX-8FJX
2	13265	HSE 3KPSI 3/8X56 8FJX-8FJX
3	13238	TEE 8MJ X 8MJ X 8MJ
4	13484	HSE 3KPSI 3/8X156 8FJX-8FJX
5	67634	HSE 3KPSI 3/8X132 8FJX-8FJX
6	353373	LIFT CYLINDER 5 X 12
	353398	CYLINDER ACNHOR BUSHING
7	25603	HSE 3KPSI 3/8X75 8FJX-8FJX
8	209032	HSE 3KPSI 1/2X348 8FJX-8FJX
9	247425	QUICK COUPLER 8 ORB
10	24024	ADP 8MORB X 8MJ
11	25580	ELB 8MORB X 8MJ
12	353372	LIFT CYLINDER 4 1/2 X 12
	353398	CYLINDR ANCHOR BUSHING

# DISC LIFT HYDRAULIC - 5, 7 & 9 SHANK

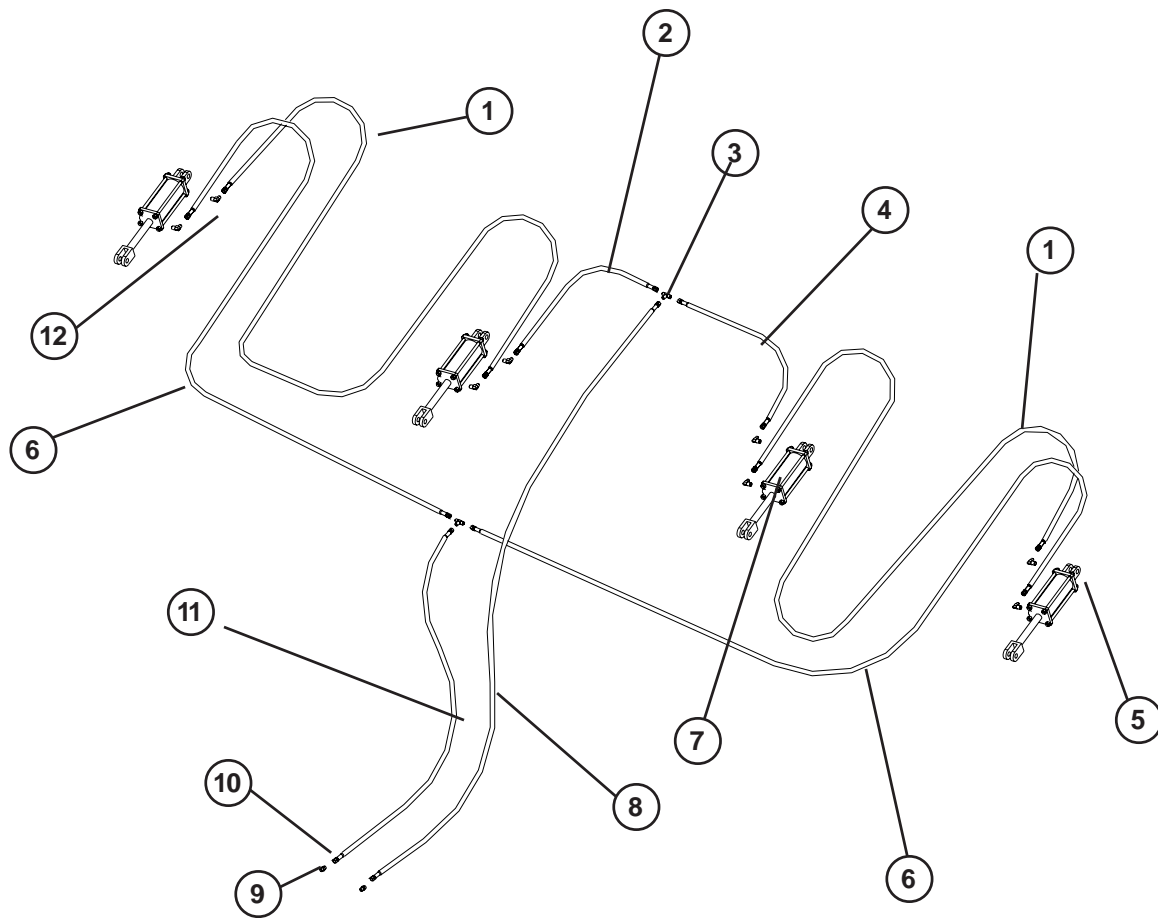


700817

## ITEM PART NO. DESCRIPTION

1	13423	HSE 3KPSI 3/8X24 8FJX-8FJX
2	13238	TEE 8MJ X 8MJ X 8MJ
3	13265	HSE 3KPSI 3/8X56 8FJX-8FJX
4	25643	HYD CYL 4X8 SEQ W/ADPTR.(645772)
5	67576	HSE 3KPSI 3/8X276 8FJX-8FJX
6	25580	ELB 8MORB X 8MJ
7	247425	QUICK COUPLER 8 ORB
8	24024	ADP 8MORB X 8MJ

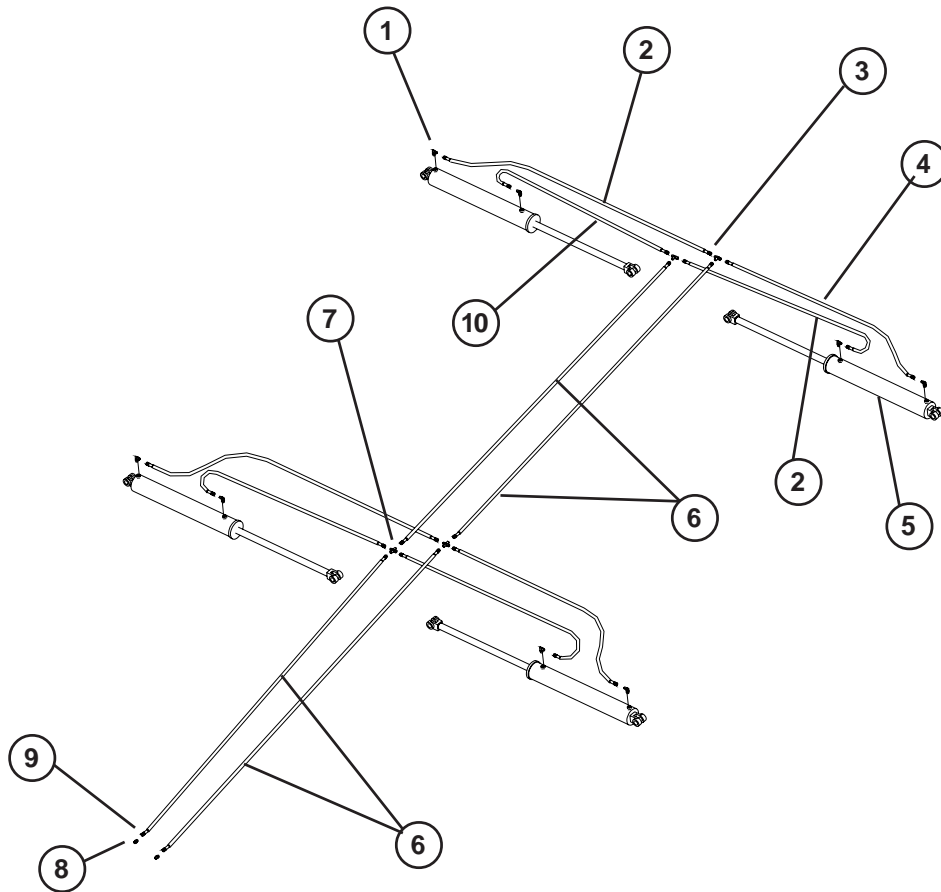
# DISC LIFT HYDRAULIC - FOLDING 11 & 13 SHANK



700818

ITEM	PART NO.	DESCRIPTION
1	234939	HSE 3KPSI 3/8X220 8FJX-8FJX
2	13423	HSE 3KPSI 3/8X24 8FJX-8FJX
3	13238	TEE 8MJ X 8MJ X 8MJ
4	13265	HSE 3KPSI 3/8X56 8FJX-8FJX
5	25649	HYD CYL 3-3/4X8SEQ
6	234947	HSE 3KPSI 3/8X194 8FJX-8FJX
7	25643	HYD CYL 4X8 SEQ
8	67576	HSE 3KPSI 3/8X276 8FJX-8FJX
9	247425	QUICK COUPLER 8 ORB
10	24024	ADP 8MORB X 8MJ
11	233689	HSE 3KPSI 3/8X180 8FJX-8FJX
12	25580	ELB 8MORB X 8MJ

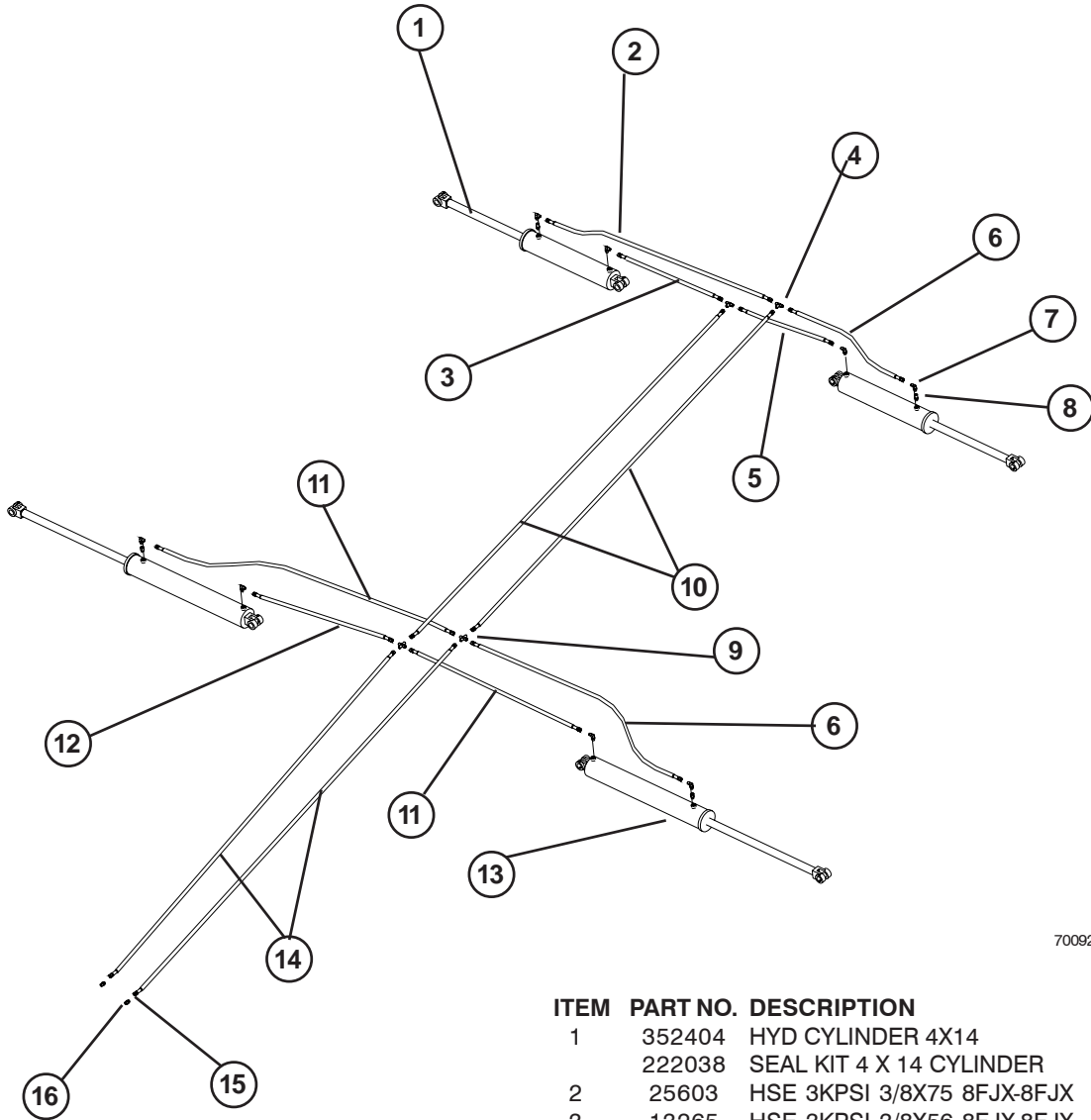
# FOLD HYDRAULIC 11 & 13 SHANK



700819

ITEM	PART NO.	DESCRIPTION
1	25580	ELB 8MORB X 8MJ
2	13484	HSE 3KPSI 3/8X156 8FJX-8FJX
3	13238	TEE 8MJ X 8MJ X 8MJ
4	235386	HSE 3KPSI 3/8X137 8FJX-8FJX
5	W106386	WING FOLD CYLINDER 5 X 36
6	240277	HSE 3KPSI 1/2X168 8FJX-8FJX
7	15910	CROSS 8MJ X 8MJ X 8MJ X 8MJ
8	247425	QUICK COUPLER 8 ORB
9	24024	ADP 8MORB X 8MJ
10	56540	HSE 3KPSI 3/8X89 8FJX-8FJX

# FOLDING HYDRAULICS 9 SHANK

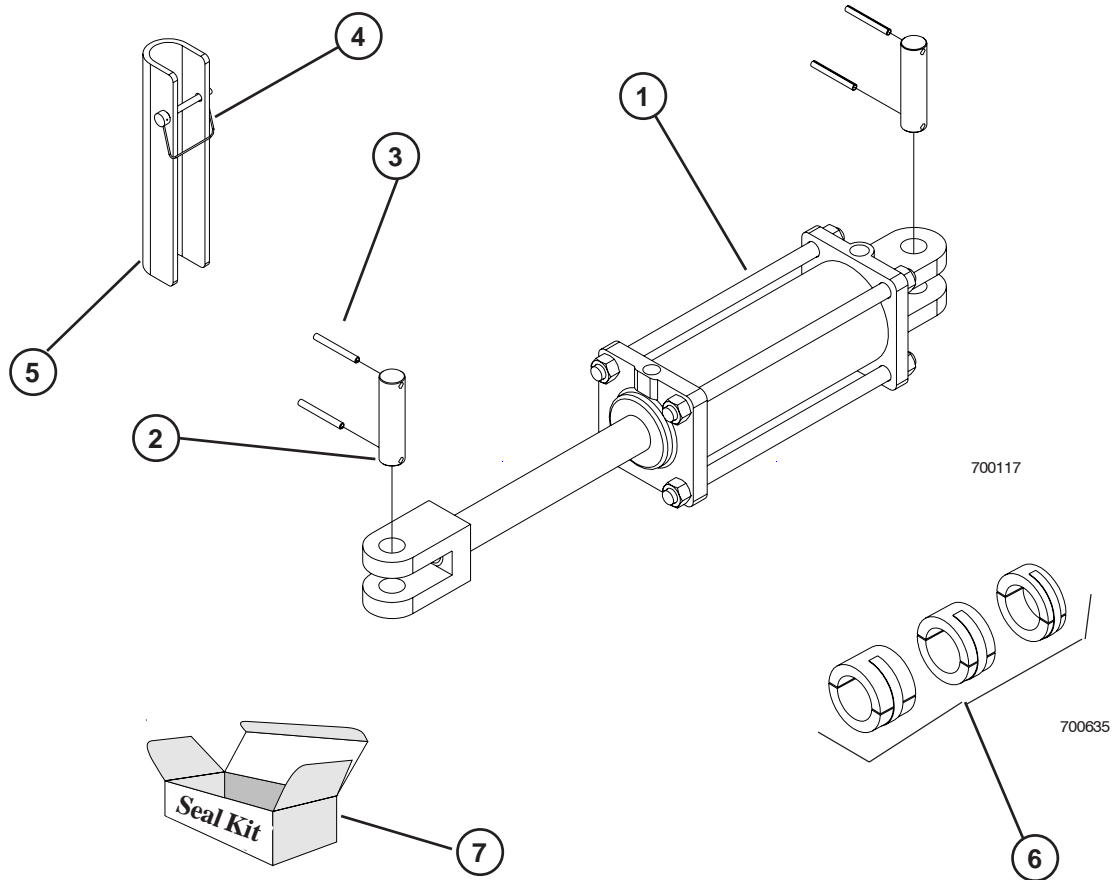


700921

ITEM	PART NO.	DESCRIPTION
1	352404	HYD CYLINDER 4X14
	222038	SEAL KIT 4 X 14 CYLINDER
2	25603	HSE 3KPSI 3/8X75 8FJX-8FJX
3	13265	HSE 3KPSI 3/8X56 8FJX-8FJX
4	13238	TEE 8MJ X 8MJ X 8MJ
5	25603	HSE 3KPSI 3/8X75 8FJX-8FJX
6	56540	HSE 3KPSI 3/8X89 8FJX-8FJX
7	25580	ELB 8MORB X 8MJ
8	350600	RSTR ADP 8MORB X 8FORB (.06)
9	15910	CROSS 8MJ X 8MJ X 8MJ X 8MJ
10	13484	HSE 3KPSI 3/8X156 8FJX-8FJX
11	25603	HSE 3KPSI 3/8X75 8FJX-8FJX
12	13265	HSE 3KPSI 3/8X56 8FJX-8FJX
13	247831	4X30 TIE ROD CYLINDER
	222038	PMCK-SAE-34000 SEAL KIT(69092)
14	67576	HSE 3KPSI 3/8X276 8FJX-8FJX
15	24024	ADP 8MORB X 8MJ
16	247425	QUICK COUPLER 8 ORB



# DISC LIFT HYDRAULIC CYLINDERS



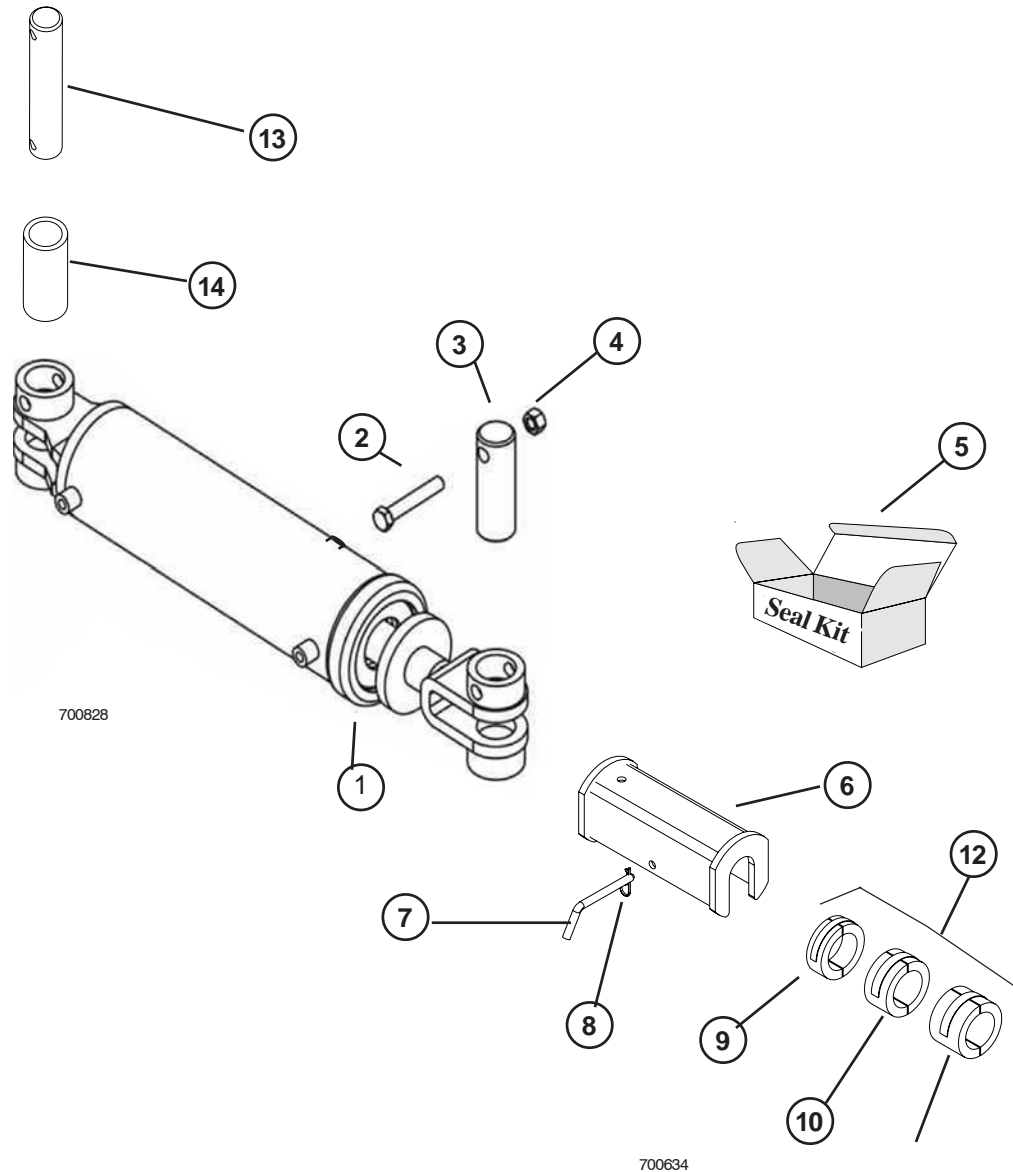
## ITEM PART NO. DESCRIPTION

1	246056	HYD CYL 4x8SEQ
	246057	HYD CYL 3-3/4x8SEQ
2	68796	HEADLESS PIN 1x2-27/32
3	42484	1/4"x2-1/4" ROLL PIN
4	915402	5/16 X 2-3/4 LYNCH PIN
5	13681	1-1/2IN CYLINDER LOCK CHANNEL
6	59185	STOP PACKAGE(1-1/2DIA)

## SEAL KITS

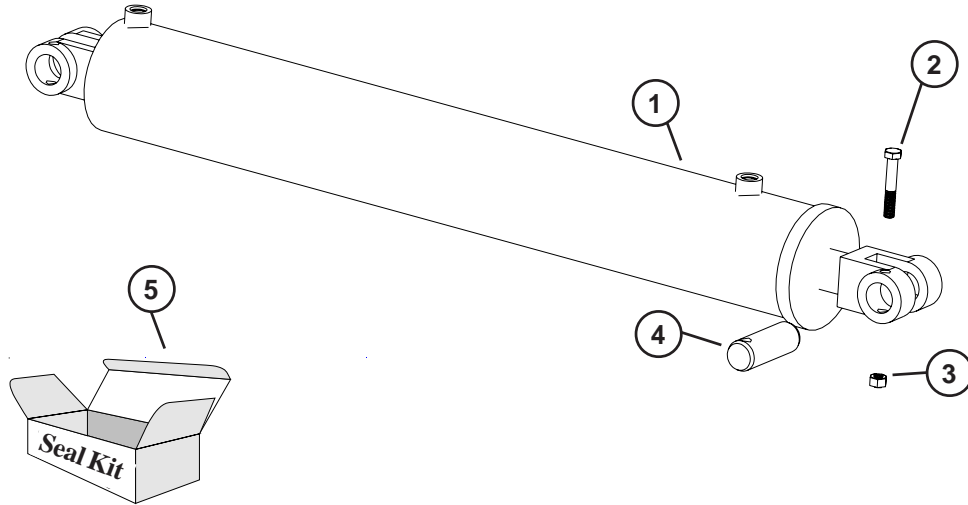
7	40064	4x8SEQ SEAL KIT
7	40817	3-3/4x8SEQ SEAL KIT

# MAIN LIFT HYDRAULIC CYLINDERS



ITEM	PART NO.	DESCRIPTION
1	353372	COMPLETE CYLINDER 4-1/2" X 12"
	353373	COMPLETE CYLINDER 5" X 12"
	353398	CYLINDER ANCHOR BUSHING
2	88541	BOLT - 1/2"NC X 3"
3	W104654	PIN - 1-1/2" X 4-1/4" (ROD END)
4	88363	LOCKNUT 1/2"NC
5	W108338	SEAL KIT - 4-1/2" PHASING
	350277	SEAL KIT 5" PHASING
6	350637	TRANSPORT LOCK BRACKET
7	W1979	PIN - 1/2" X 4-3/4"
8	88466	HAIR PIN CLIP
9	W105996	1" DEPTH CONTROL SEGMENT (RIGID UNITS) (PRIOR TO SERIAL # 460240)
10	W105997	1-1/2" DEPTH CONTROL SEGMENT (RIGID UNITS) (PRIOR TO SERIAL # 460240)
11	W108340	2" DEPTH CONTROL SEGMENT (RIGID UNITS) (PRIOR TO SERIAL # 460240)
12	350639	2-1/4 DEPTH COLLAR PACKAGE (FOLDING UNITS) (PRIOR TO SERIAL # 460240)
13	238524	PIN - 1-1/2" X 9-1/4" (BARREL END)
14	353398	CYLINDER ANCHOR BUSHING

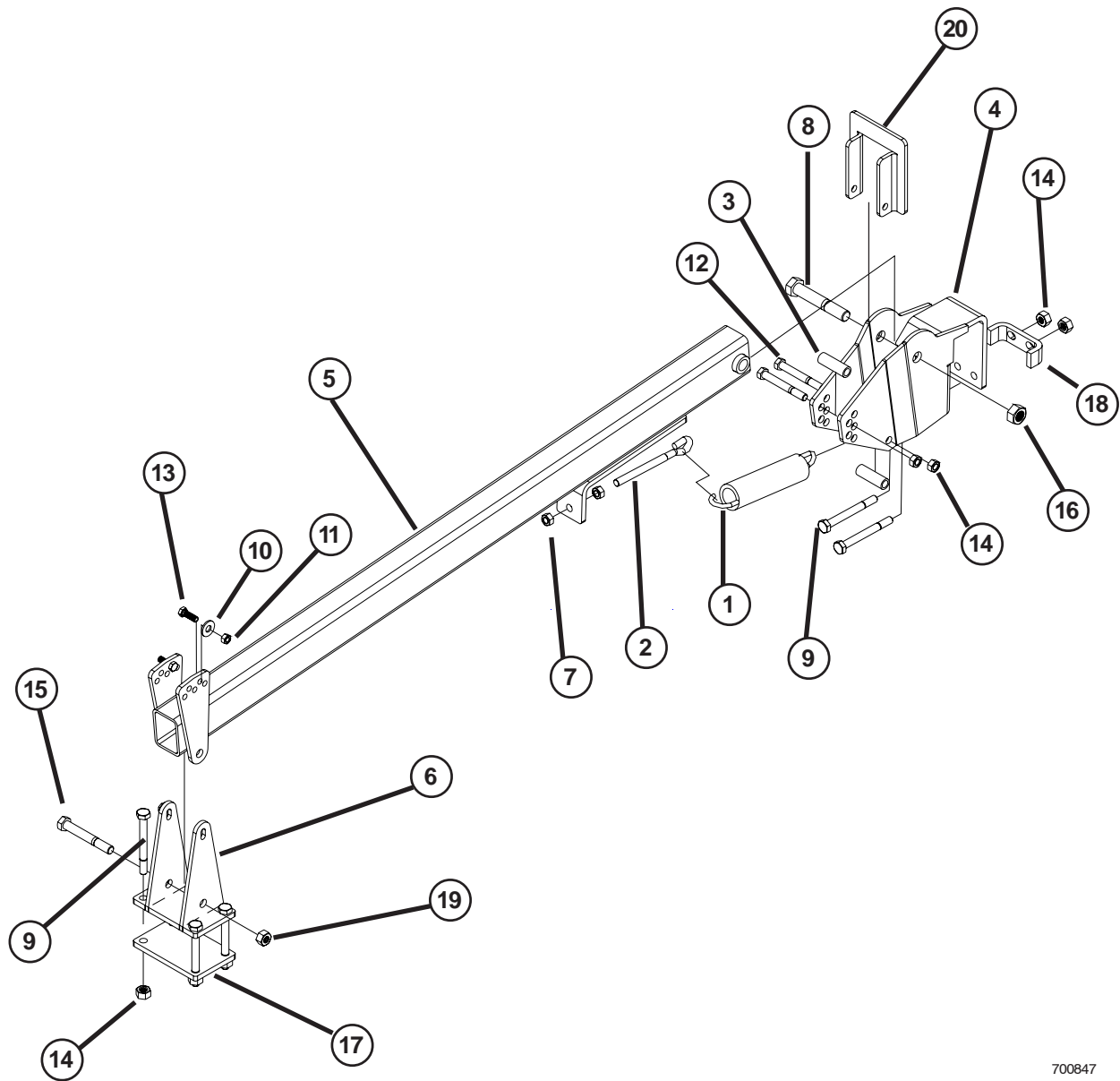
# WING FOLD HYDRAULIC CYLINDERS 11 & 13 SHANK



700644

ITEM	PART NO.	DESCRIPTION
1	W106386	COMPLETE CYLINDER 5" X 36"
2	88541	BOLT - 1/2"NC X 3"
3	88363	LOCKNUT 1/2"NC
4	W104654	PIN - 1-1/2" X 4-1/4"
5	W108339	SEAL KIT - 5"

# HARROW ARM

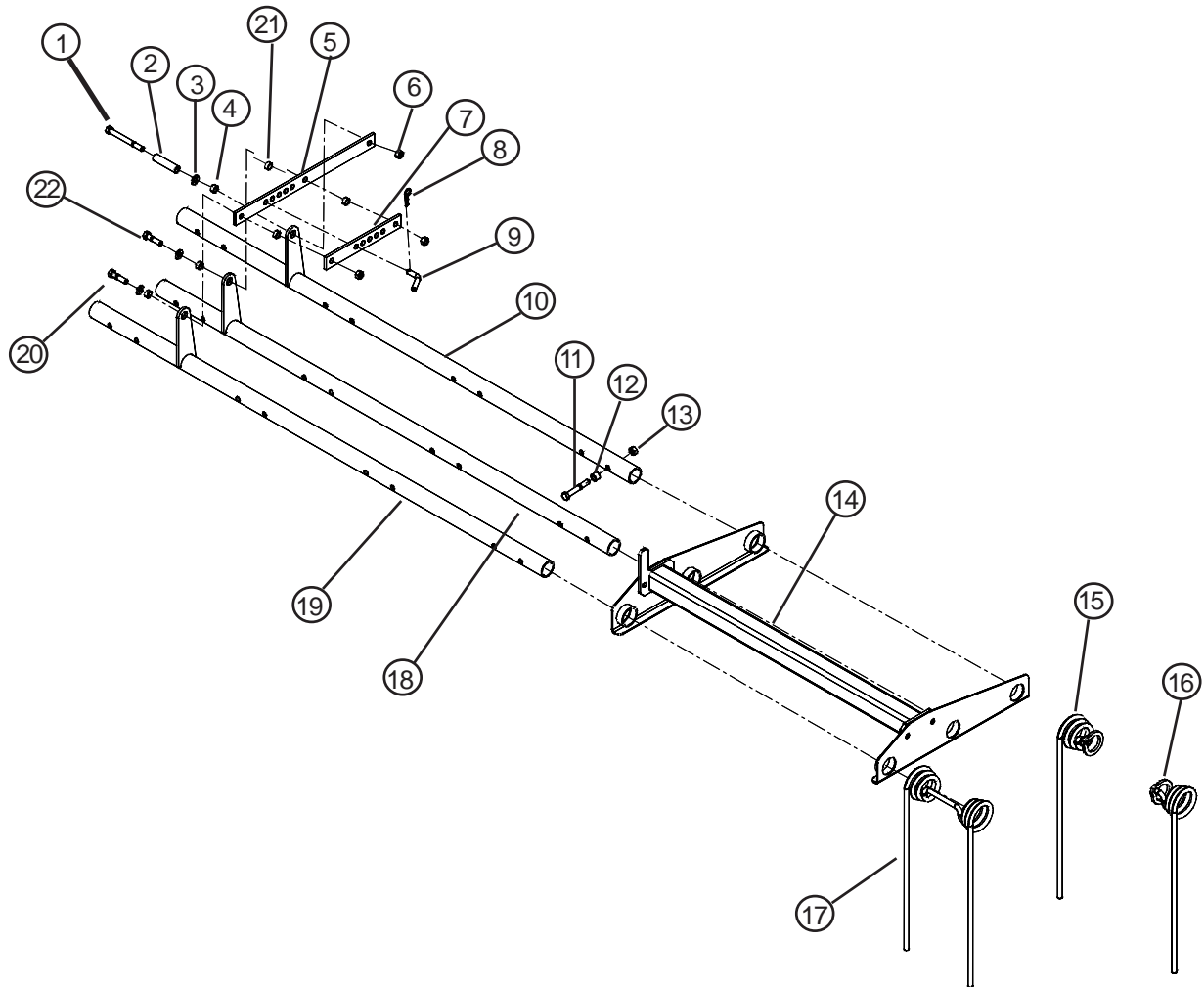


700847

ITEM	PART NO.	DESCRIPTION
1	23122	EXTENSION SPRING (2-3/8ODx9LONG)
2	23123	EYE BOLT 5/8
3	236185	BUSHING 5/8IDx1ODx3.06
4	236839	HARROW MNT BRACKET
5	350212	HARROW ARM
6	350209	PIVOT BRACKET
7	88126	NUT HEX 5/8
8	88264	BOLT HEX 1x6
9	88295	BOLT HEX 5/8x6
10	88347	WSHR FLT 1/2
11	88363	NUT 2POS LK 1/2
12	88395	BOLT HEX 5/8x5

ITEM	PART NO.	DESCRIPTION
13	88475	BOLT HEX 1/2-1-1/2
14	88627	NUT NLK 5/8
15	89939	BLT HEX 3/4-10NC X 5-1/2 8YZ
16	89075	NUT HLK 1"
17	238310	PAINTED PLATE
18	245307	HARROW LOCK PLATE
19	88356	NUT 2POSLK 3/4-10NC 5Z
20	240361	HARROW STOP

# 3-BAR HARROW SECTION



700827

**ITEM PART NO. DESCRIPTION**

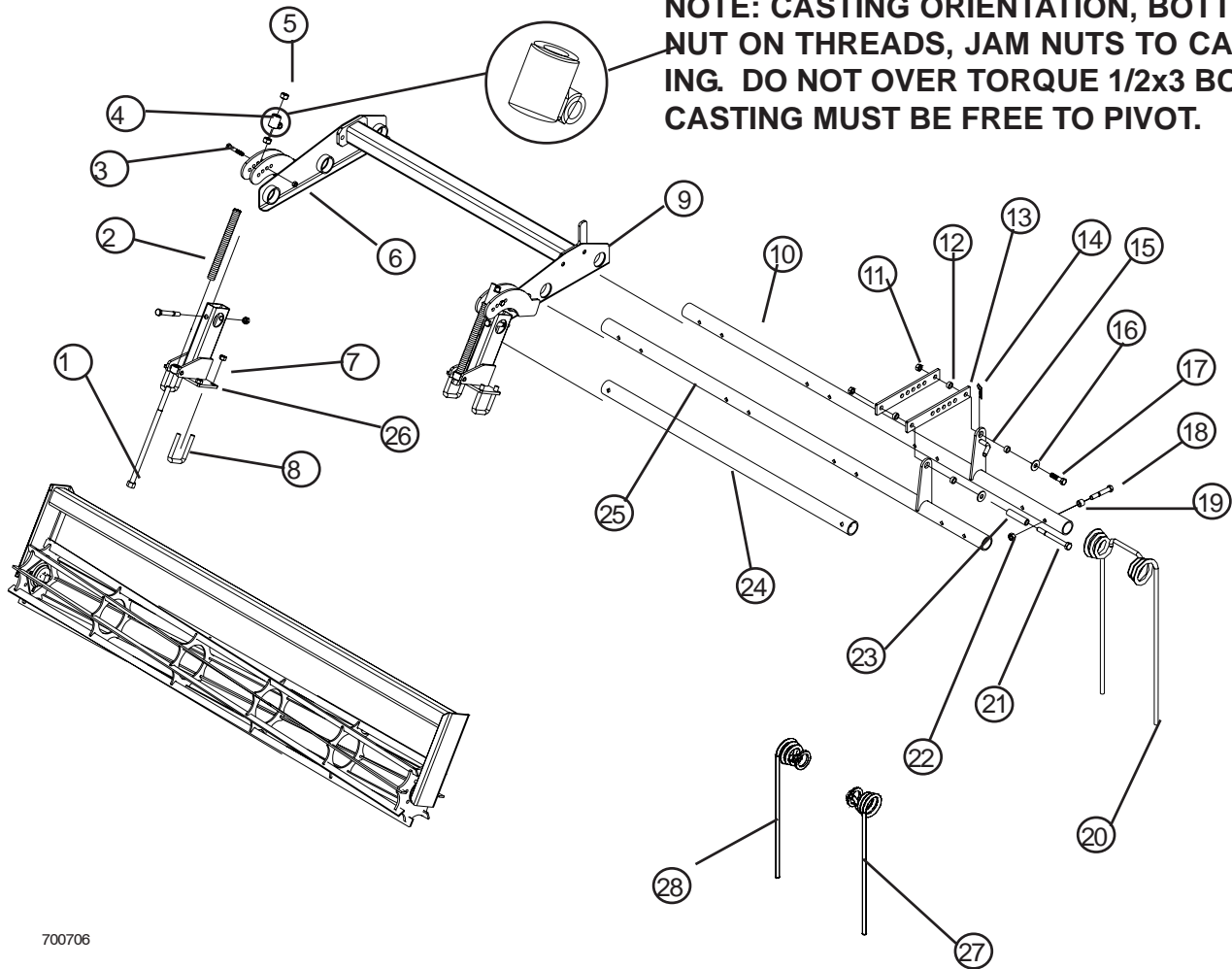
1	88295	5/8NCx6 GR5 BOLT
2	22521	SPACER TUBE
3	88277	5/8 FLAT WASHER
4	222562	BUSHING
5	222570	ADJUST BAR
6	88627	5/8NC LOCK NUT
7	222575	INNER ADJUST BAR
8	23039	HAIR PIN
9	32871	5/8x1-3/8 BENT PIN
10	222574	8FT REAR HARROW TUBE (84.75")
	222569	6FT REAR HARROW TUBE (60.75")
	236027	4FT REAR HARROW TUBE (42.)
11	88298	5/8NCx4 GR5 BOLT
		QTY - 24-8FT
		18-6FT
		12-4FT
12	200479	BUSHING
13	88845	5/8NC LOCK NUT
14	236195	8FT HARROW MOUNT (48.6")
	236198	6FT HARROW MOUNT (25")
	236028	4FT HARROW MOUNT (17.13")

**ITEM PART NO. DESCRIPTION**

15	240602	QTY 3/ 4FT SEC. L SINGLE HARROW TOOTH
16	240603	QTY 3/ 4FT SEC. R SINGLE HARROW TOOTH
17	234081	H.D. HARROW TOOTH
		QTY - 12/ 8FT SEC
		9/ 6FT SEC
		3/ 4FT SEC
18	222573	8FT CENTER HARROW TUBE (84.75")
	222568	6FT CENTER HARROW TUBE (60.75")
	236026	4FT CENTER HARROW TUBE (42.)
19	222572	8FT FRONT HARROW TUBE (84.75")
	222567	6FT FRONT HARROW TUBE (60.75")
	236024	4FT FRONT HARROW TUBE (42")
20	88409	5/8NCx2-1/2 GR5 BOLT
21	200479	BUSHING
22	88292	BLT HEX 5/8-11NCx3-1/2 5Z

# HARROW BASKET SECTION

**NOTE: CASTING ORIENTATION, BOTTOM NUT ON THREADS, JAM NUTS TO CASTING. DO NOT OVER TORQUE 1/2x3 BOLT, CASTING MUST BE FREE TO PIVOT.**



700706

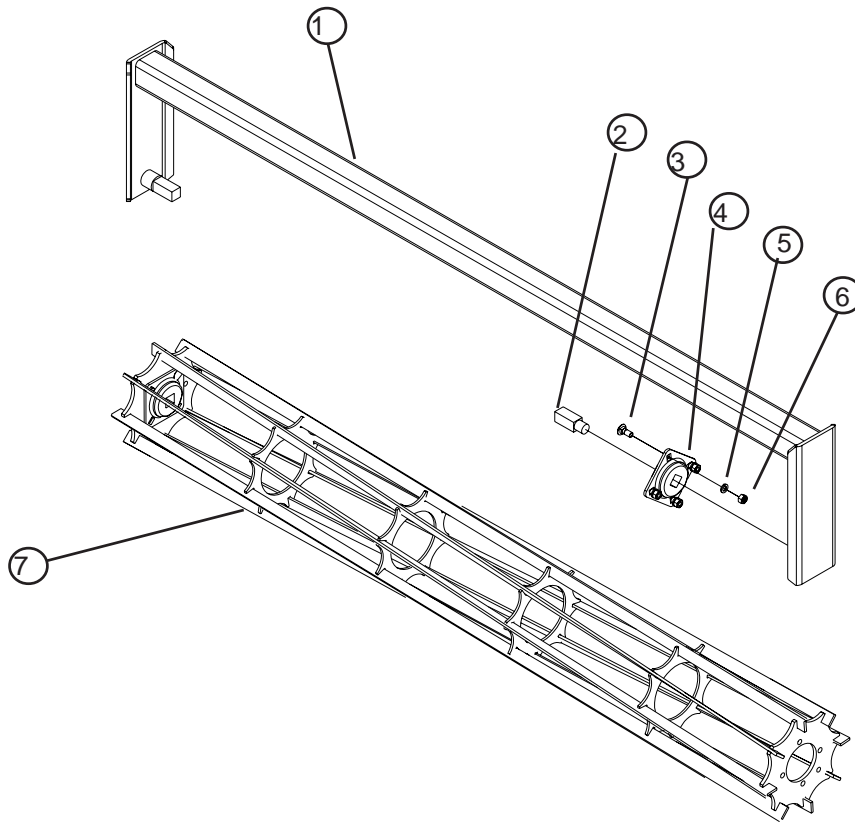
**ITEM PART NO. DESCRIPTION**

1	67076	3/4-10NCx16.5 SPECIAL BOLT
2	68581	COMPRESSION SPRING
3	88541	1/2-13NCx3 BOLT
4	221981	MOUNT CASTING
5	88110	3/4NC NUT
6	88363	1/2NC LOCK NUT
7	88627	5/8NC NLK NUT
8	89327	5/8NCx3x4 U-BOLT
9	245393	8FT HARROW MOUNT WELD
	245392	6FT HARROW MOUNT WELD
	245391	4FT HARROW MOUNT WELD
10	244289	8FT FRONT HARROW TUBE
	244287	6FT FRONT HARROW TUBE
	244285	4FT FRONT HARROW TUBE
11	88627	5/8NC NLK NUT
12	200479	BUSHING
13	222575	INNER ADJUST BAR
14	23039	HAIR PIN
15	32871	5/8x1-3/8 BENT PIN
16	88277	5/8 FLAT WASHER

**ITEM PART NO. DESCRIPTION**

17	88409	5/8NCx2-1/2 GR5 BOLT
18	88298	5/8NCx4 GR5 BOLT
		QTY - 24-8FT
		18-6FT
		12-4FT
19	200479	BUSHING
20	236087	26" H.D. HARROW TOOTH
		QTY - 12/ 8FT SEC
		9/ 6FT SEC
		3/ 4FT SEC
21	88383	5/8-11NCx7 BOLT
22	88845	5/8 TOP LOCK NUT
23	22521	SPACER TUBE
24	244295	8FT BASKET TUBE
	244294	6FT BASKET TUBE
	243629	4FT BASKET TUBE
25	244290	8FT REAR HARROW TUBE
	244288	6FT REAR HARROW TUBE
	244286	4FT REAR HARROW TUBE
26	243631	HANGER WELD
27	236020	LEFT SINGLE HARROW TOOTH
28	236021	RIGHT SINGLE HARROW TOOTH

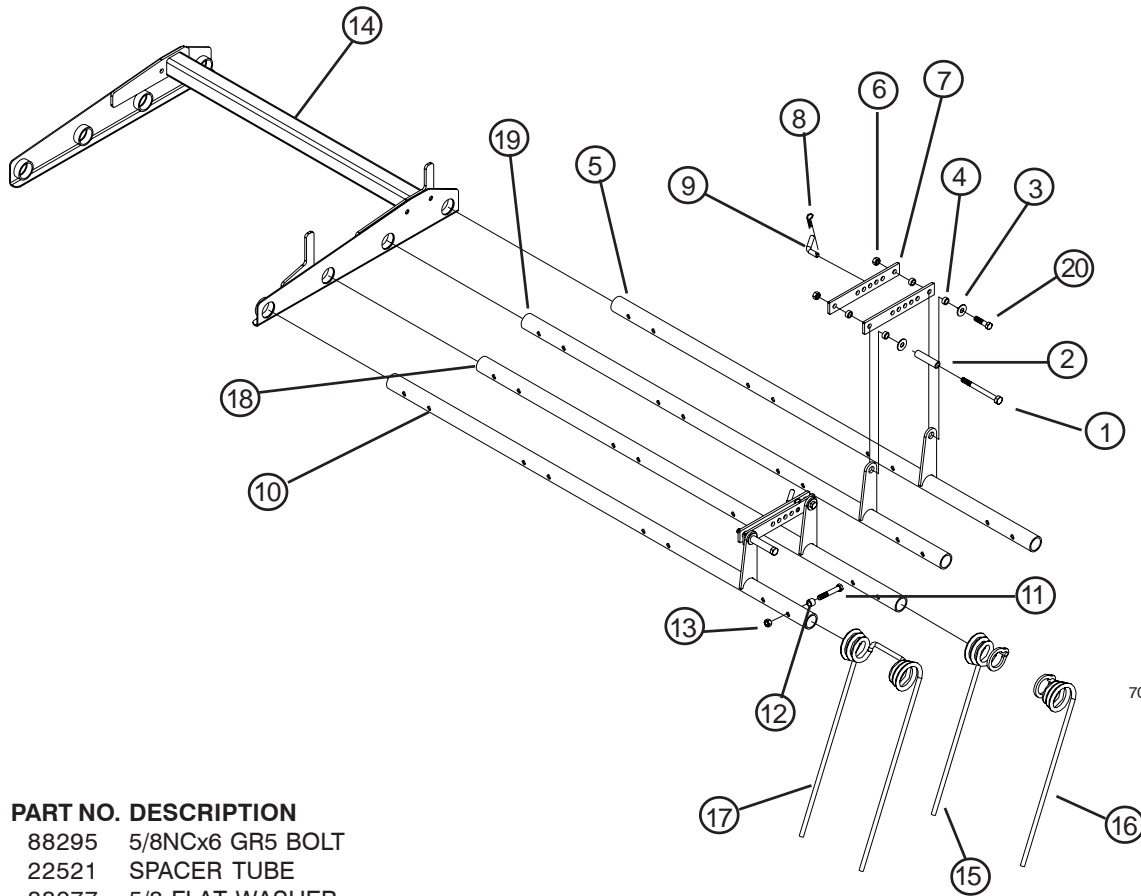
# FLAT BAR BASKET



700709

ITEM	PART NO.	DESCRIPTION
1	245334	7-1/2FT BASKET MNT
	245333	6FT BASKET MNT
	245332	4-1/2FT BASKET MNT
2	244410	SQUARE BASKET BOLT
3	88417	BLT CRG 1/2-13NC X 1-1/4 5Z
4	244415	FLANGED BEARING
5	88303	WSHR HLK 1/2ID(9/16ACT) Z
6	88104	NUT HEX 1/2-13NC 5Z
7	244299	7-1/2FT FB BASKET
	244298	6FT FB BASKET
	244297	4-1/2FT BASKET

# 4-BAR HARROW SECTION



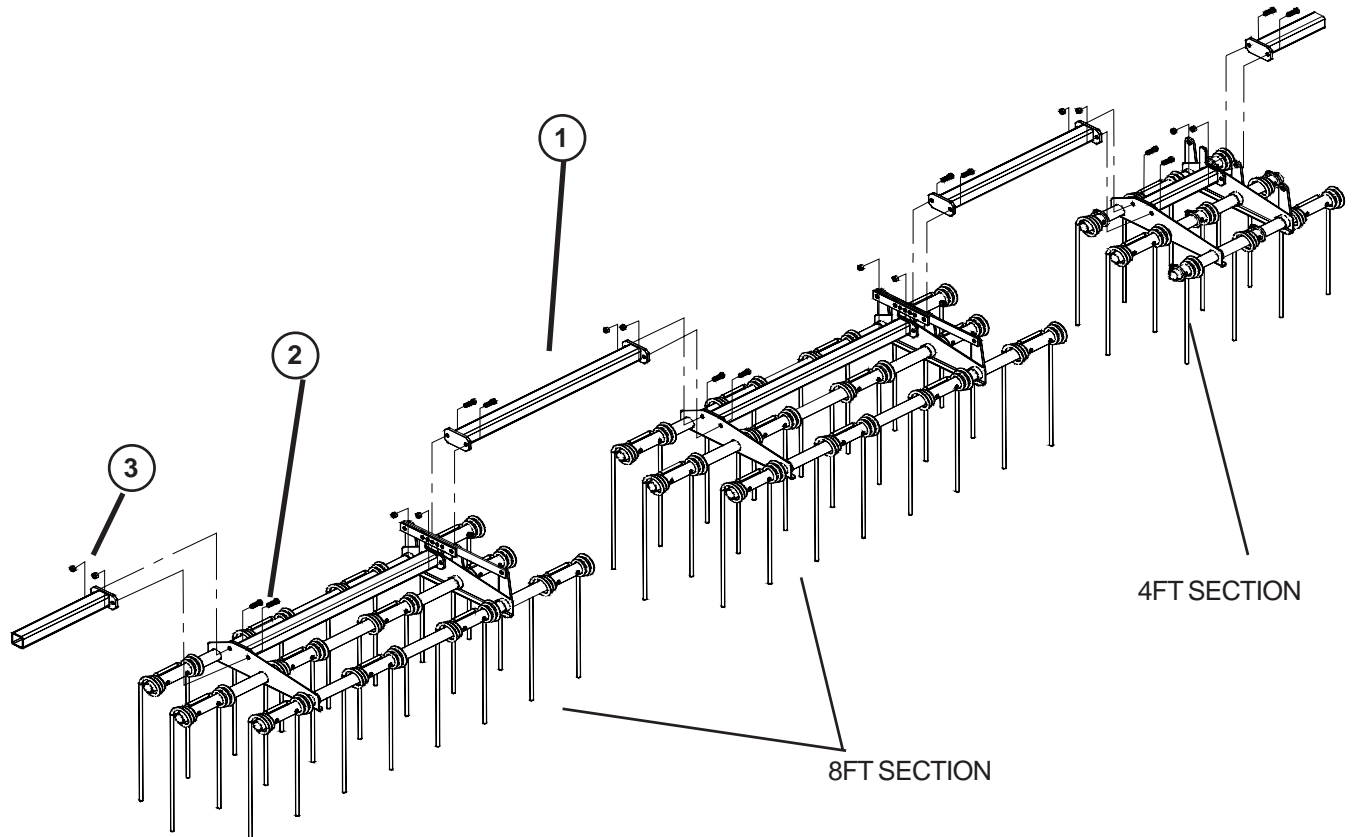
700846

ITEM	PART NO.	DESCRIPTION
1	88295	5/8NCx6 GR5 BOLT
2	22521	SPACER TUBE
3	88277	5/8 FLAT WASHER
4	222562	BUSHING
5	350648	1 - 4 FT HARROW BAR
	350641	1 - 6 FT HARROW BAR
	350628	1 - 8 FT HARROW BAR
6	88627	5/8NC LOCK NUT
7	222575	INNER ADJUST BAR
8	23039	HAIR PIN
9	32871	5/8x1-3/8 BENT PIN
10	350650	4 - 4 FT HARROW BAR
	350644	4 - 6 FT HARROW BAR
	350631	4 - 8 FT HARROW BAR
11	88298	5/8NCx4 GR5 BOLT QTY - 24-8FT 18-6FT 12-4FT
12	200479	BUSHING
13	88845	5/8NC LOCK NUT
14	350609	8FT HARROW MOUNT (48.6")
	350640	6FT HARROW MOUNT (25")
	350647	4FT HARROW MOUNT (17.13")

ITEM	PART NO.	DESCRIPTION
15	240602	QTY 4/ 4FT SEC. L SINGLE HARROW TOOTH
16	240603	QTY 4/ 4FT SEC. R SINGLE HARROW TOOTH
17	234081	H.D. HARROW TOOTH QTY - 16/ 8FT SEC 12/ 6FT SEC 4/ 4FT SEC
18	236027	3 - 4 FT HARROW BAR
	350643	3 - 6 FT HARROW BAR
	350630	3 - 8 FT HARROW BAR
19	350649	2 - 4 FT HARROW BAR
	350642	2 - 6 FT HARROW BAR
	350629	2 - 8 FT HARROW BAR
20	88409	5/8NCx2-1/2 GR5 BOLT



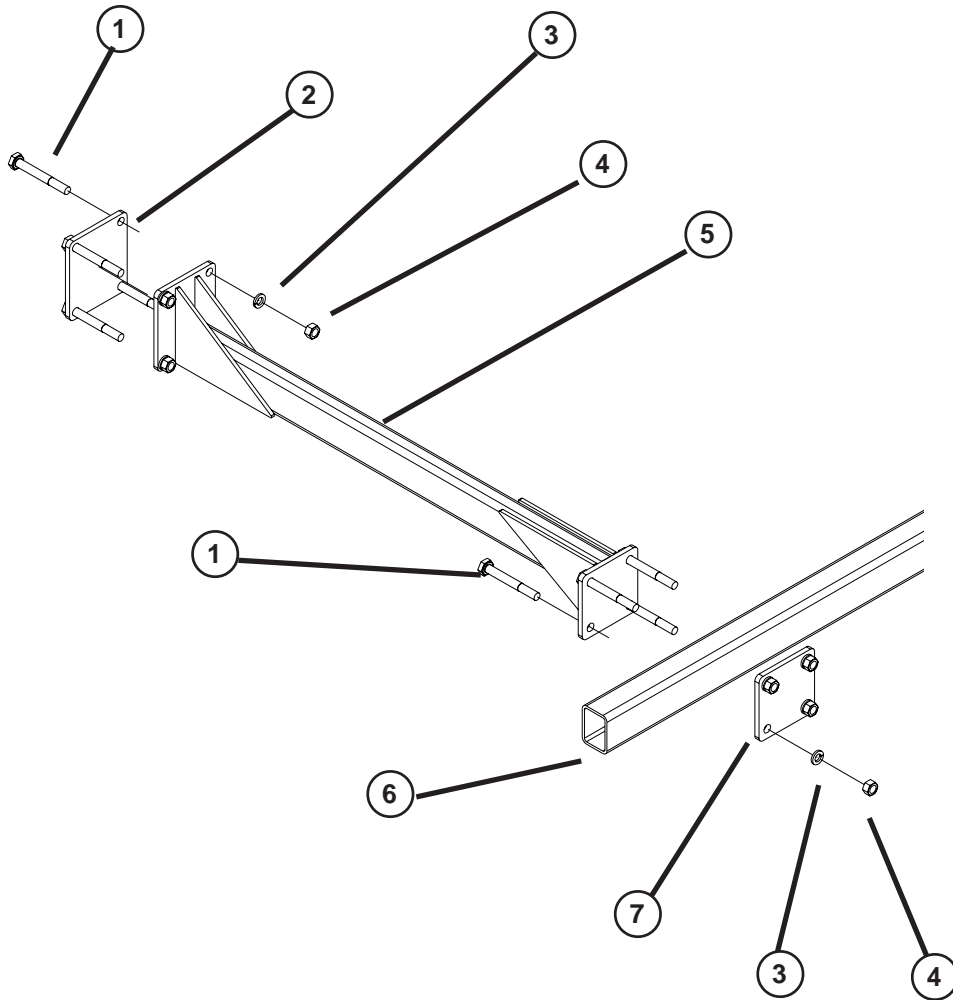
# SPANNER TUBE



700826

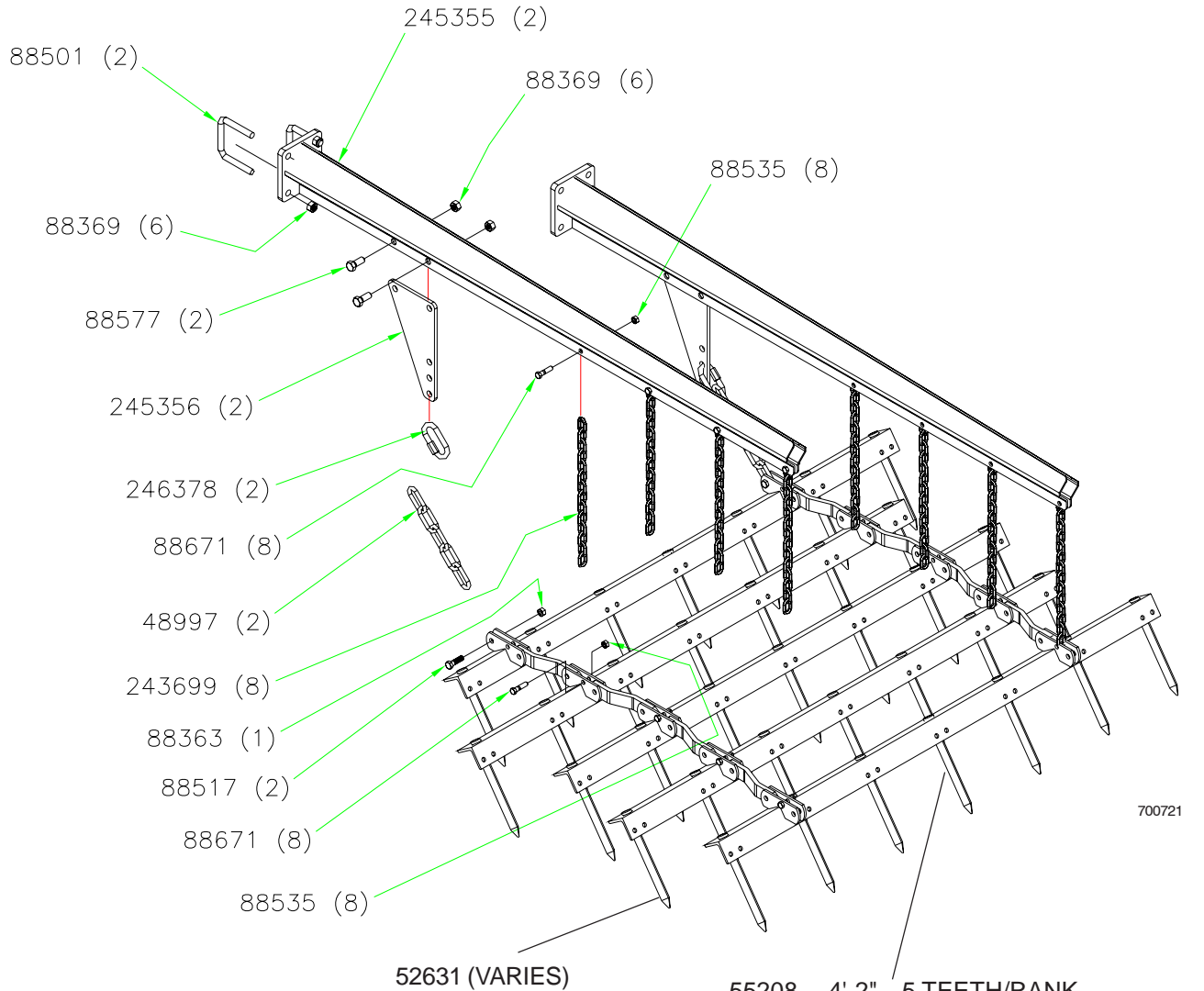
ITEM	PART NO.	DESCRIPTION
1	236189	SPANNER 46"
2	88294	BOLT HEX 5/8x2
3	88627	NUT NLK 5/8

# SPIKE TOOTH HARROW MOUNTS



ITEM	PART NO.	DESCRIPTION
1	88293	BLT HEX 3/4-10NC X 6 5Z
2	238553	PAINTED PLATE
3	88130	WSHR HLK 3/4ID(13/16ACT) Z
4	88110	NUT HEX 3/4-10NC 5Z
5	351172	HARROW ARM
6	351176	TUBE (75IN)
	351190	TUBE (55IN)
	351189	TUBE (124IN)
	351177	TUBE (152IN)
	351178	TUBE (212IN)
7	351175	PAINTED PLATE

# SPIKE TOOTH HARROW SECTION ASSEMBLY

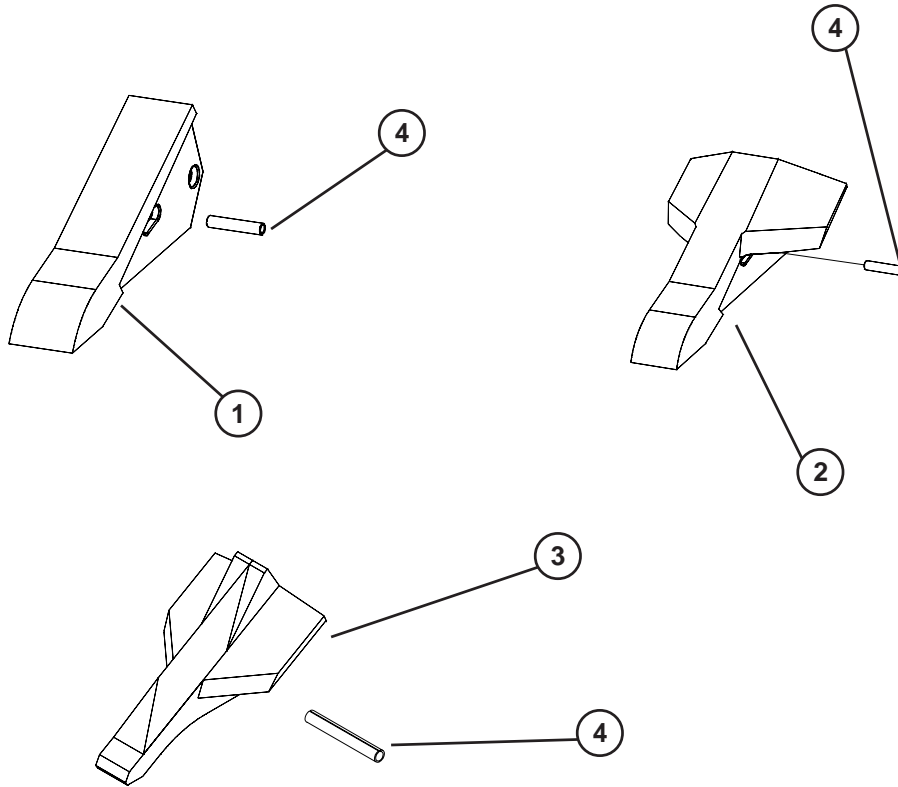


700721

55208	4'-2"	5 TEETH/RANK
55209	5'-0"	6 TEETH/RANK
55210	5'-10"	7 TEETH/RANK(SHOWN)
55211	6'-8"	8 TEETH/RANK
55212	7'-6"	9 TEETH/RANK

ITEMS	DESCRIPTIONS
243699	14 LINK CHAIN
245355	HARROW MOUNT
245356	PLATE (PAINTED)
246378	QUICK LINK - 1/2 INCH
48997	5 LINK CHAIN
88363	NUT 2POSLK 1/2-13NC 5Z
88369	NUT 2POSLK 5/8-11NC 5Z
88501	BLT-U 5/8-11NCX4X4-1/4 Z
88517	BLT HEX 1/2-13NCX1-3/4 5Z
88535	NUT 2POSLK 7/16-14NC 5P
88577	BLT HEX 5/8-11NCX1-1/2 5Z
88671	BLT HEX 7/16-14NCX1-3/4 5Z
52631	HARROW TOOTH

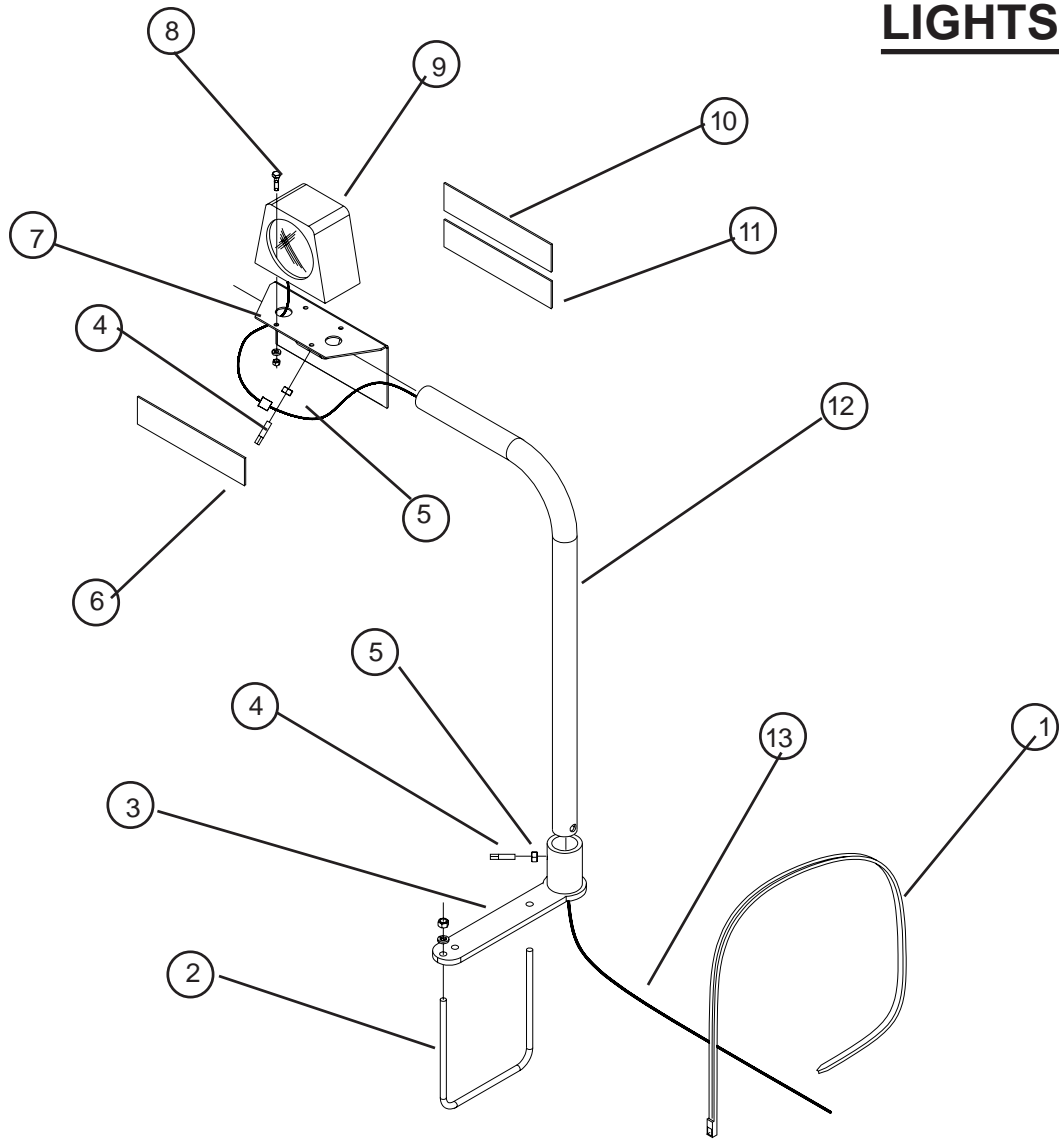
# RIPPER SHANK POINTS



700830

ITEM	PART NO.	DESCRIPTION
1	233409	CAST RIPPER POINT (3 INCH)
2	221353	CAST RIPPER POINT (10 INCH)
3	351152	CAST RIPPER POINT (7 INCH)
4	89059	PIN ROLL 1/2DIA X 2-1/2 Z

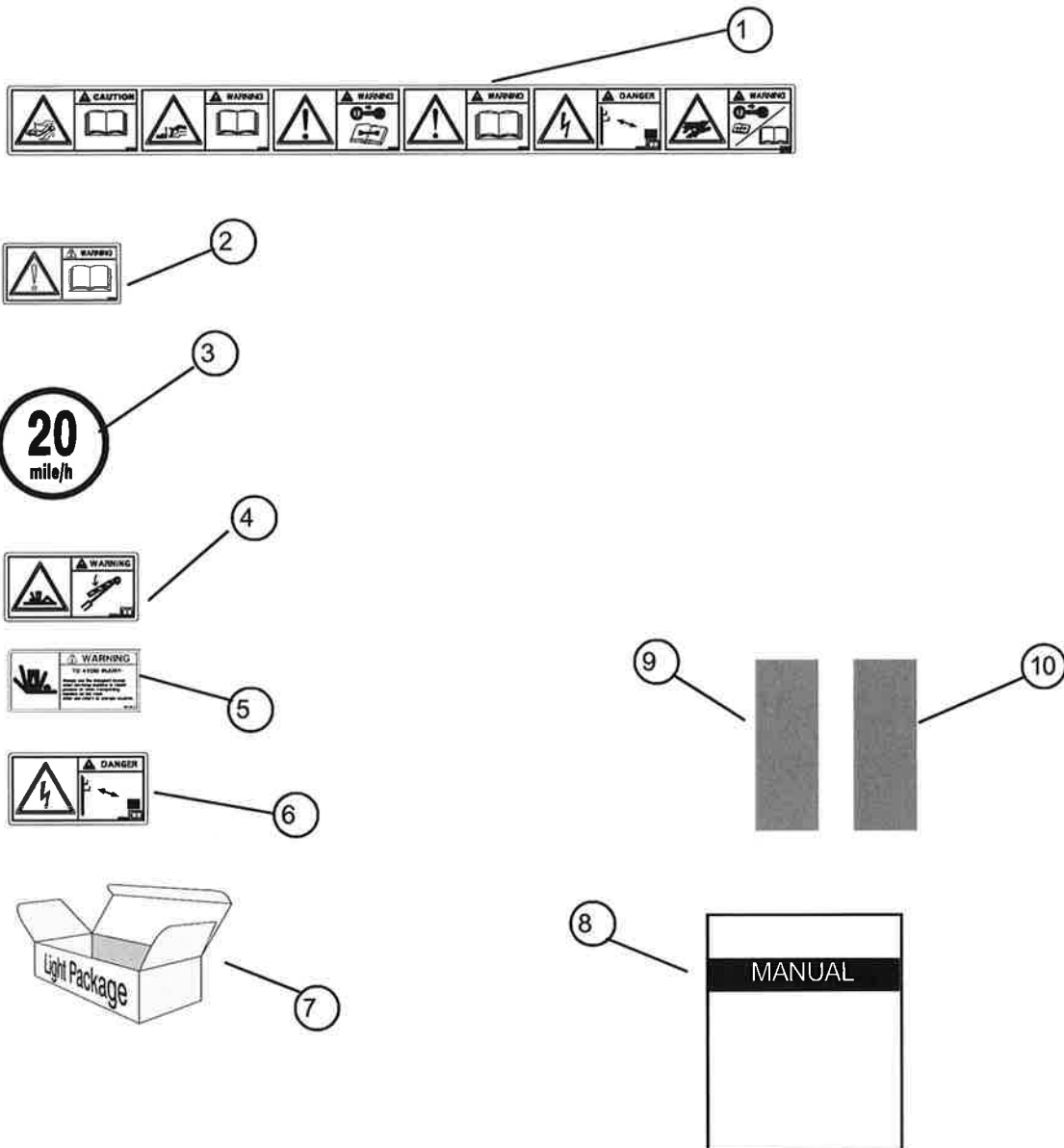
# LIGHTS



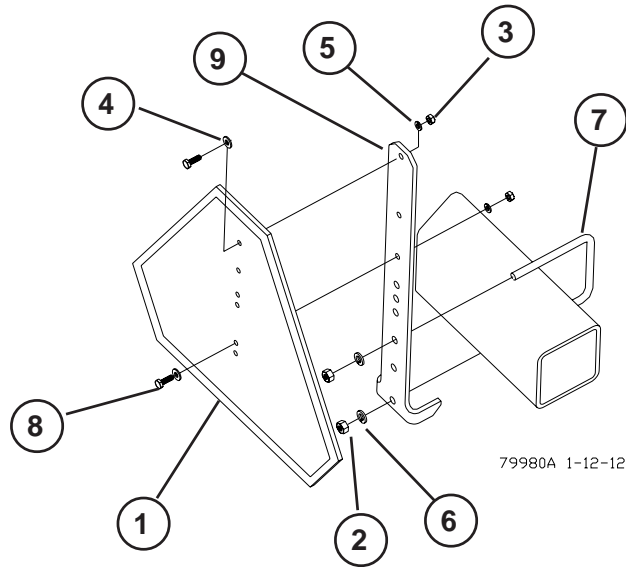
700829

ITEM	PART NO	DESCRIPTION	ITEM	PART NO	DESCRIPTION
	223189	LIGHT KIT	11	223118	RED/ORANGE FLUORESCENT DECAL
1	13479	4" SQUARE TIE LOOP	12	223140	12x12 LIGHT ARM
	236291	CABLE TIE 8"	13	223330	AG LIGHT KIT
2	89040	3/8NCx4x7 U-BOLT		223145	AG MODULE
3	223130	SHORT BASE PIVOT		223146	WISHBONE 4 LEAD
4	88702	3/8NCx3/4 SQ HEAD SET SCREW		64597	35' HARNESS
5	88103	3/8NC NUT			
6	22372	AMBER REFLECTOR			
7	223126	LIGHT/REFLECTOR BRACKET			
8	88203	1/4NCx1 BOLT			
9	223143	AMBER LIGHT			
	223144	RED LIGHT			
10	22371	RED REFLECTOR			

# DECALS



ITEM	PART NO	DESCRIPTION
1	9971163	DECAL SAFETY SET
2	997860	DECAL READ MANUAL WARNING
3	9971018	DECAL SPEED SIGN 20 MILE/HR
4	997864	DECAL LOCKOUT WARNING
5	360942	DECAL-WARNING
6	997862	DECAL HIGH VOLTAGE DANGER
7	223189	LIGHTING KIT
8	74327	SOILPRO PARTS MANUAL - AVAILILBE ON WEBSITE - WWW.WIL-RICH.COM
	74326	SOILPRO OPERATORS MANUAL - AVAILILBE ON WEBSITE - WWW.WIL-RICH.COM
	74325	SOILPRO ASSEMBLY MANUAL - AVAILILBE ON WEBSITE - WWW.WIL-RICH.COM
9	223118	RED/ORANGE FLUORESCENT DECAL
10	22371	RED REFLECTOR



ITEM	PART NO	DESCRIPTION	QTY
1	30651	SMV EMBLEM S276.6	1
2	88103	NUT HEX 3/8-16NC 5Z	2
3	88172	NUT HEX 1/4-20NC 5Z	2
4	88261	WSHR FLAT 1/4(5/16 X 3/4ACT) Z	2
5	88262	WSHR HLK 1/4ID(5/16ACT) Z	2
6	88362	WSHR HLK 3/8ID Z	2
7	88385	BLT-U 3/8-16NCX4X5 Z	1
8	88993	BLT HEX 1/4-20NC X 3/4 5Z	2
9	350933	SMV BRACKET	1

# WARRANTY

The only warranty Wil-Rich gives and the only warranty the dealer is authorized to give is as follows:

We warrant products sold by us to be in accordance with our published specifications or those specifications agreed to by us in writing at time of sale. Our obligation and liability under this warranty is expressly limited to repairing, or replacing, at our option, within 12 months after date of retail delivery, any product not meeting the specifications. ***We make no other warranty, express or implied and make no warranty of merchantability or of fitness for any particular purpose.*** Our obligation under the warranty shall not include any transportation charges or costs or installation or any liability for direct, indirect or consequential damage or delay. If requested by us, products or parts for which a warranty claim is made are to be returned transportation prepaid to our factory. Any improper use, operation beyond rated capacity, substitution of parts not approved by us, or any alteration or repair by others in such manner as in our judgment affects the product materially and adversely shall void this warranty. ***No employee or representative is authorized to change this warranty in any way or grant any other warranty.***

Wil-Rich reserves the right to make improvement changes on any of our products without notice.

***When warranty limited or not applicable:*** Warranty on hoses, cylinders, hubs, spindles, engines, valves, pumps or other trade accessories are limited to the warranties made by the respective manufacturers of these components. Rubber tires and tubes are warranted directly by the respective tire manufacturer only, and not by Wil-Rich.

Warranty does not apply to any machine or part which has been repaired or altered in any way so as in the our judgment to affect its reliability, or which has been subject to misuse, negligence or accident.

***A Warranty Validation and Delivery Report Form must be filled out and received by Wil-Rich to initiate the warranty coverage.***

## WARRANTY CLAIMS PROCEDURE

1. The warranty form must be returned to Wil-Rich within fifteen (15) working days from the repair date.
2. Parts returned to Wil-Rich without authorization will be refused. The parts must be retained at the dealership for ninety (90) days after the claim has been filed. If the Service Department would like to inspect the parts, a packing slip will be mailed to the dealer. The packing slip must be returned with the parts. The parts must be returned prepaid within thirty (30) days of receiving authorization. After the parts are inspected and warranty is verified, credit for the return freight will be issued to the dealer.
3. Parts that will be scrapped at the dealership will be inspected by a Wil-Rich Sales Representative, District Sales Manager or Service Representative within the ninety (90) day retaining period.