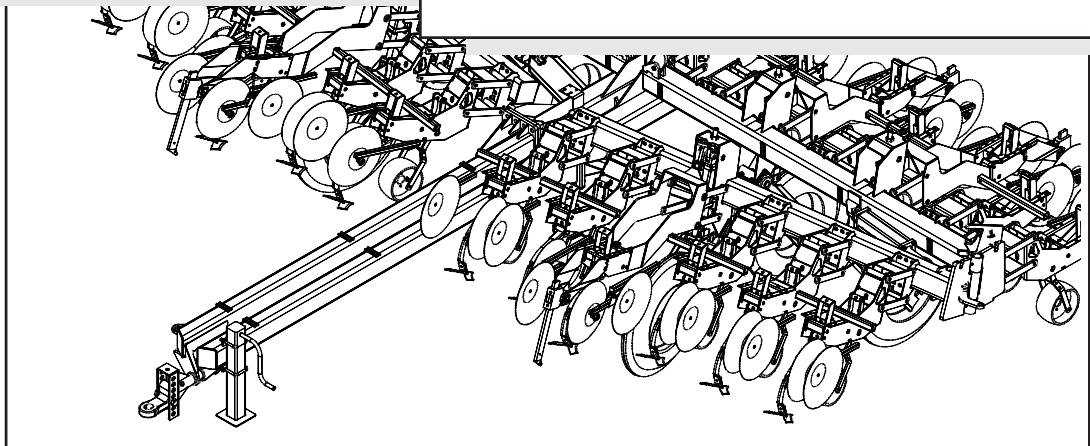
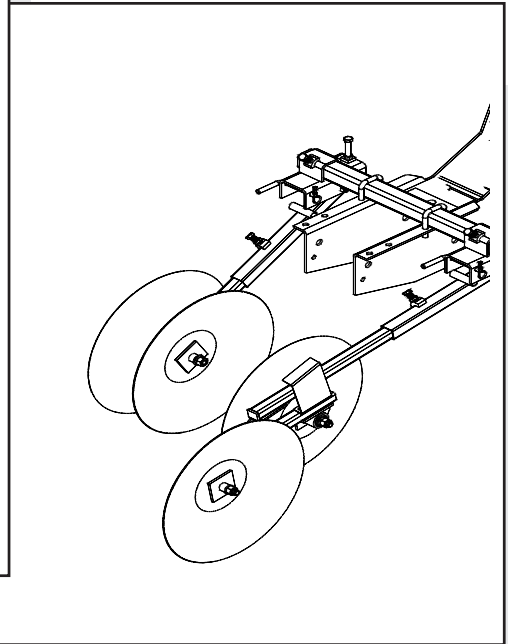
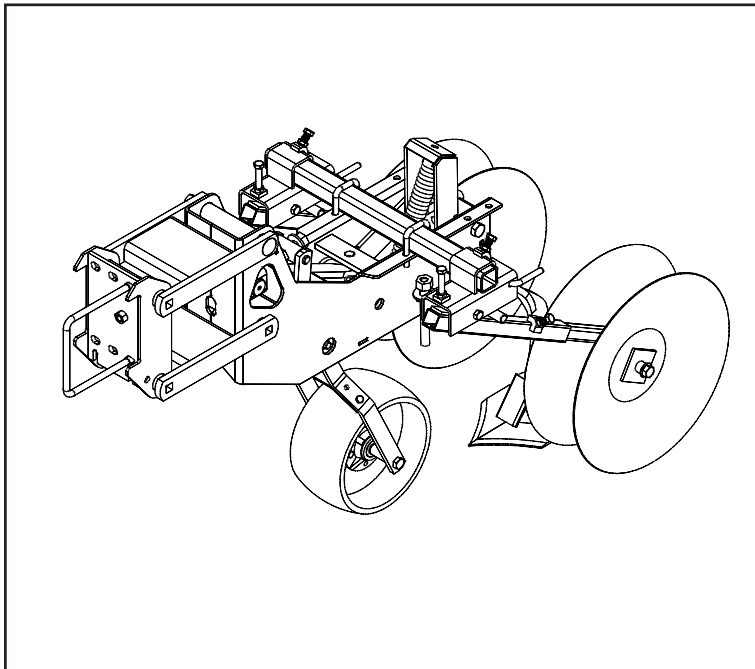




WIL-RICH

PT 7722 ROW CROP CULTIVATOR PARTS



WARRANTY

The only warranty Wil-Rich gives and the only warranty the dealer is authorized to give is as follows:

We warrant products sold by us to be in accordance with our published specifications or those specifications agreed to by us in writing at time of sale. Our obligation and liability under this warranty is expressly limited to repairing, or replacing, at our option, within 12 months after date of retail delivery, any product not meeting the specifications. ***We make no other warranty, express or implied and make no warranty of merchantability or of fitness for any particular purpose.*** Our obligation under the warranty shall not include any transportation charges or costs or installation or any liability for direct, indirect or consequential damage or delay. If requested by us, products or parts for which a warranty claim is made are to be returned transportation prepaid to our factory. Any improper use, operation beyond rated capacity, substitution of parts not approved by us, or any alteration or repair by others in such manner as in our judgment affects the product materially and adversely shall void this warranty. ***No employee or representative is authorized to change this warranty in any way or grant any other warranty.***

Wil-Rich reserves the right to make improvement changes on any of our products without notice.

When warranty limited or not applicable: Warranty on hoses, cylinders, hubs, spindles, engines, valves, pumps or other trade accessories are limited to the warranties made by the respective manufactures of these components. Rubber tires and tubes are warranted directly by the respective tire manufacturer only, and not by Wil-Rich.

Warranty does not apply to any machine or part which has been repaired or altered in any way so as in the our judgment to affect its reliability, or which has been subject to misuse, negligence or accident.

A Warranty Validation and Delivery Report Form must be filled out and received by Wil-Rich to initiate the warranty coverage.

WARRANTY CLAIMS PROCEDURE

1. The warranty form must be returned to Wil-Rich within fifteen (15) working days from the repair date.
2. Parts returned to Wil-Rich without authorization will be refused. The parts must be retained at the dealership for ninety (90) days after the claim has been filed. If the Service Department would like to inspect the parts, a packing slip will be mailed to the dealer. The packing slip must be returned with the parts. The parts must be returned prepaid within thirty (30) days of receiving authorization. After the parts are inspected and warranty is verified, credit for the return freight will be issued to the dealer.
3. Parts that will be scrapped at the dealership will be inspected by Wil-Rich Sales Representatives, District Sales Managers or Service Representatives within the ninety (90) day retaining period.

ORIENTATION

Any reference to left (L) or right (R) sides or components is to be understood as being viewed from behind the implement and looking forward.

SERIAL NUMBER BREAK

Every implement has a serial number located on the frame. These serial numbers are consecutively assigned to the implements as they are manufactured. To aid in part ordering, we reference the serial number at the point the change occurred to provide an accurate means of determining the proper parts.

MODIFICATIONS

It is the policy of Wil-Rich Operations to improve its products whenever possible and practical to do so. We reserve the right to make changes, improvements, and modifications at any time without incurring the obligation to make such changes, improvements and modifications on any equipment sold previously.

ABBREVIATIONS

ASSY	Assembly
BLD	Blade
BRKT	Bracket
CTR	Center
GR	Grade of Bolt
HD	Heavy Duty
HDWE	Hardware
MF	Main frame
MTG	Mounting
NC	National Coarse Thread
NF	National Fine Thread

STANDARD NUTS & LOCK WASHERS

NOTE: Standard nuts and lock washers are not called out. Anything other than standard will be called out.

88172 1/4NC Nut	88262 1/4 Lock Washer
88103 3/8NC Nut	88362 3/8 Lock Washer
88104 1/2NC Nut	88303 1/2 Lock Washer
88126 5/8NC Nut	88129 5/8 Lock Washer
88110 3/4NC Nut	88130 3/4 Lock Washer
88371 7/8NC Nut	88341 7/8 Lock Washer

TOOLBAR ASSEMBLY

Serial Number 455338 & up 4-5

TOOLBAR ASSEMBLY

Serial Number 455337 & below 6-7

LIFT STATION

Serial Number 455338 & up 8

LIFT STATION

Serial Number 455337 & below 9

WING FOLD HYDRAULICS

Serial Number 455338 & up 10

WING FOLD HYDRAULICS

Serial Number 455337 & below 11

MAIN LIFT HYDRAULICS

Serial Number 456009 & up 12-13

MAIN LIFT HYDRAULICS

Serial Number 456008 & below 14-15

MONOSEM LIFT HYDRAULICS 14-15

MAIN LIFT HYDRAULICS

Serial Number 455337 & below 16-17

MAIN LIFT HYDRAULICS

Serial Number 453836 & below 18

GANG

Serial Number 457046 & up 19

GANG

Serial Number 455338 - 457045 20

GANG

Serial Number 455337 & below 21

ROW CLEANOUT 22

ROLLING SHIELD 23

TIRE, HUB & SPINDLE 24

STANDARD SHANK ASSEMBLY.....25-26

S SHANK ASSEMBLY 28

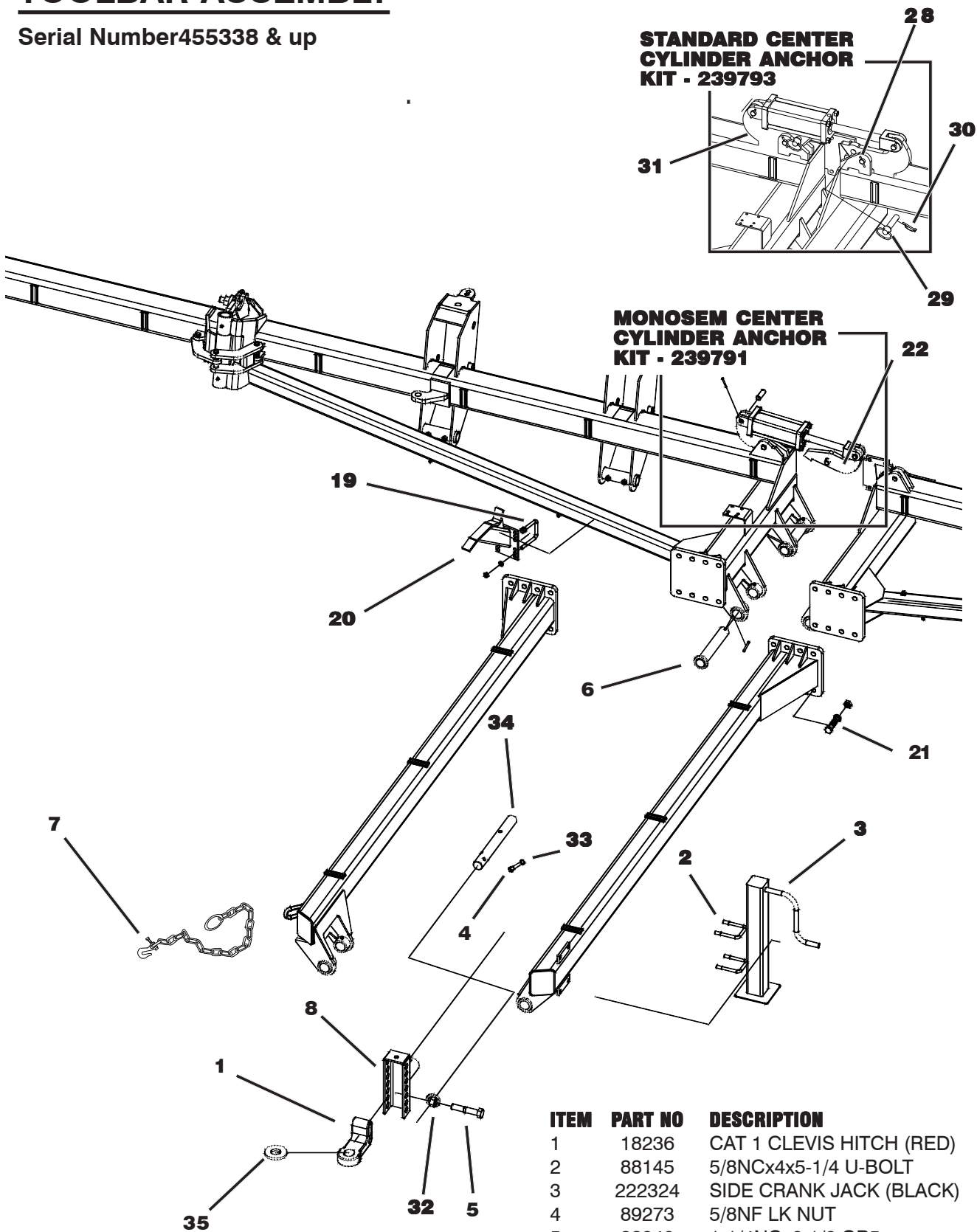
SHOVELS & EXTENSIONS 29

LIGHTS 30

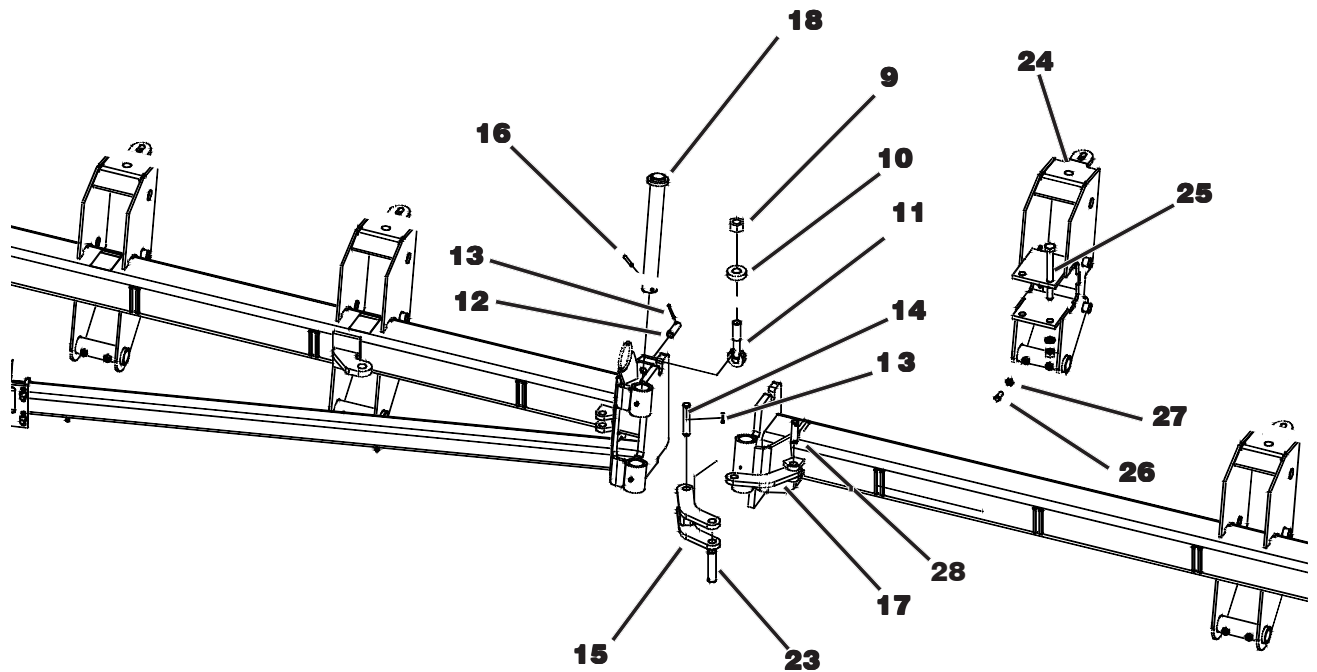
DECALS 31

TOOLBAR ASSEMBLY

Serial Number 455338 & up



ITEM	PART NO	DESCRIPTION
1	18236	CAT 1 CLEVIS HITCH (RED)
2	88145	5/8NCx4x5-1/4 U-BOLT
3	222324	SIDE CRANK JACK (BLACK)
4	89273	5/8NF LK NUT
5	88349	1-1/4NCx6-1/2 GR5
6	67853	2-1/4x12-5/16 PIN
7	24459	20K SAFETY CHAIN
8	222618	HITCH ASSEMBLY

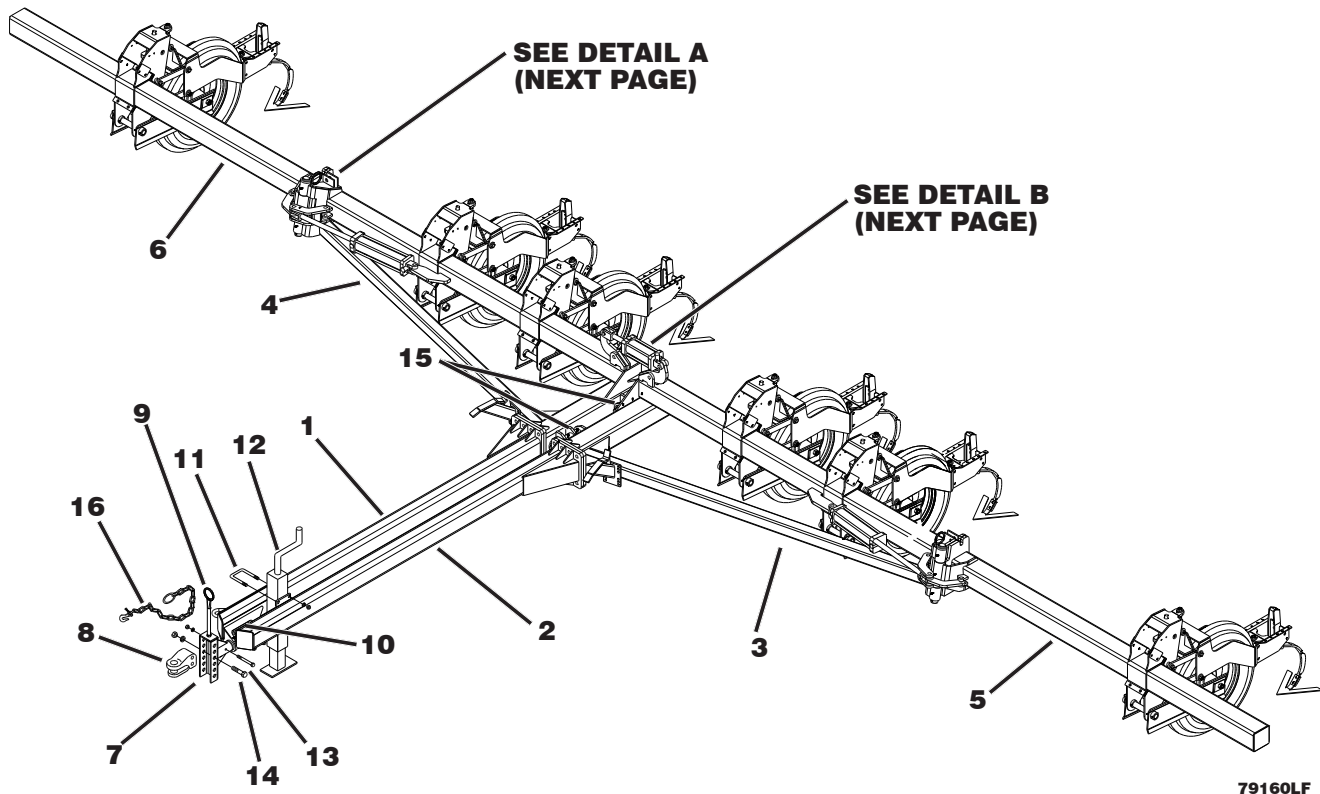


ITEM	PART NO	DESCRIPTION
9	88684	1-1/4NC HEAVY NUT
10	241044	3/4X3 FLAT WASHER
11	241043	1-1/4NCX7 EYEBOLT
12	42473	1x2-3/8 CYLINDER PIN
13	42484	1/4 x 2-1/4 ROLL PIN
14	67863	BOTTOM PIN 1x5.62
15	222692	2 BAR LINKAGE (1-1/4IN)
16	88771	3/8 x 3 ROLL PIN
17	222695	SINGLE LINKAGE (1-1/4IN)
18	69006	2-1/4x 19 PIN(3HOLE)
19	88145	5/8NCx4x5-1/4 U-BOLT

ITEM	PART NO	DESCRIPTION
20	69610	WING REST ASSY (RED)
21	88447	1NCx3-1/2 GR5 BOLT
22	69607	CENTER CYLINDER LINK (RED)
23	222689	1-1/4x4-7/8 PIN 2 HOLE
24	239114	BOLT-ON LIFT STATION
25	89094	7/8NC x 9-1/2 GR5
26	88977	5/8NC x 1-1/2 SQ HD SET SCREW
27	88774	5/8NC JAM NUT
28	221714	1 x 3-1/4 PIN 2 HOLE
29	24157	1 x 3-15/16 HITCH PIN
30	24212	1/4x2 LYNCH PIN
31	239792	CTR CYL ANCHOR(BLACK)
32	88430	1-1/4NC LK NUT
33	88857	5/8NF x 4 GR8
34	67855	2-1/4x19 PIN
35	236172	HITCH DONUT

TOOLBAR ASSEMBLY

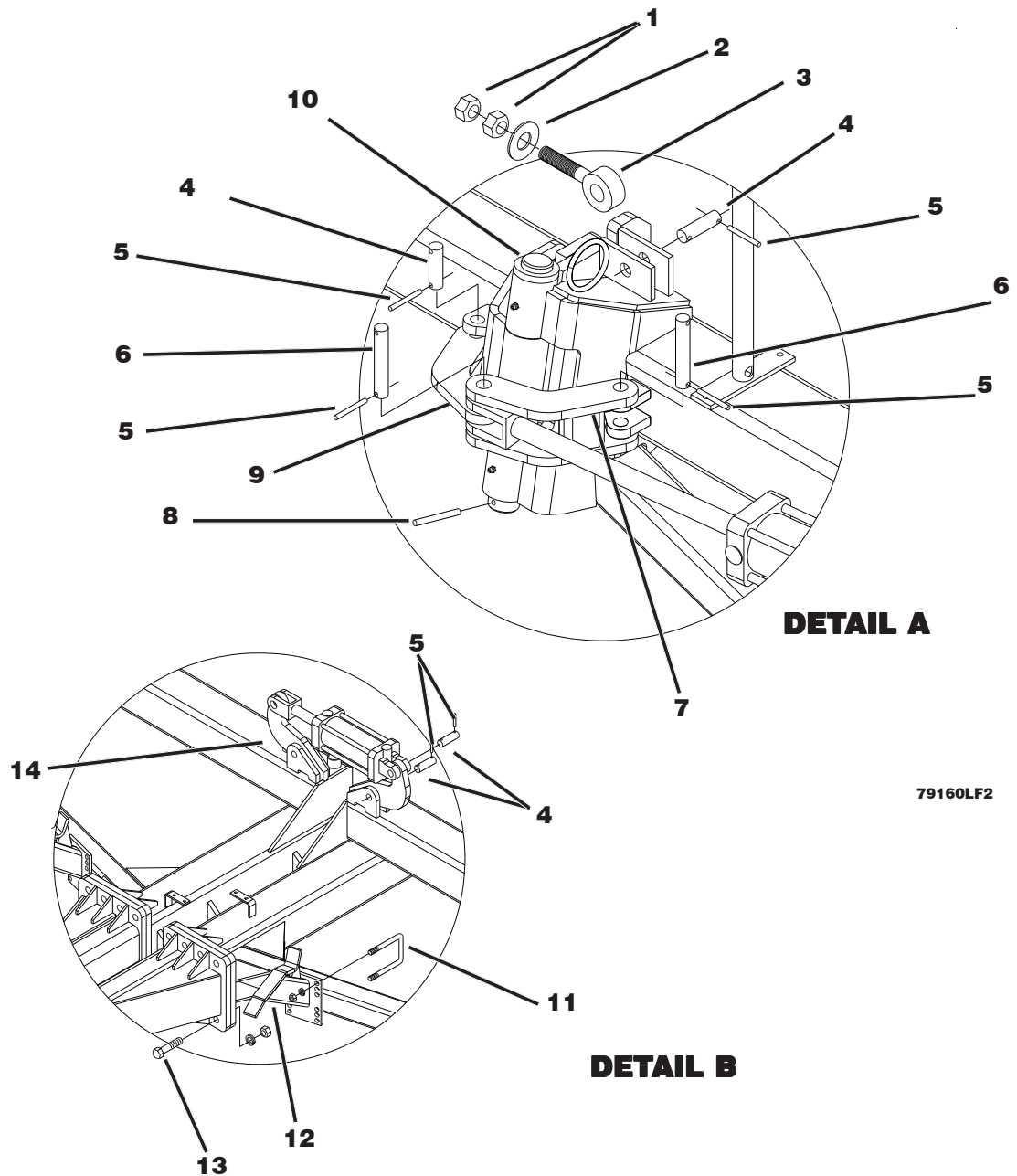
Serial Number 455337 & below



79160LF

ITEM	PART NO	DESCRIPTION	ITEM	PART NO	DESCRIPTION	
1	221532	RIGHT HITCH (CURRENT)	8	68057	CAT 1 CLEVIS HITCH (1IN)	
	220447	(2000YR)NO LONGER AVAILABLE		9	69605	HOSE BRACKET ASSY (RED)
	68792	(99YR)NO LONGER AVAILBLE			10	67855
2	221533	LEFT HITCH (CURRENT)	11	88145		5/8NCx4x5-1/4 U-BOLT
	220449	(2000 YR) NO LONGER AVAILBLE		12	222324	SIDE CRANK JACK (BLACK)
	68793	(99 YR)NO LONGER AVAILABLE	13		88857	5/8NFx4 GR8 BOLT
3	221531	LEFT MAIN TB (CURRENT)		14	88666	1NCx6-1/2 GR5 BOLT
	220440	(2000YR)NO LONGER AVAILABLE	15		67853	TB PIN ASSEMBLY
	68795	(99YR)NO LONGER AVAILABLE		16	24459	20K SAFETY CHAIN
4	221530	RIGHT MAIN TB (CURRENT)				
	220439	(2000YR)NO LONGER AVAILABLE				
	68794	(99YR)NO LONGER AVAILBLE				
5	69511	LEFT WING (RED)				
6	69510	RIGHT WING (RED)				
7	69603	HITCH ASSY (1IN)				

TOOLBAR ASSY (DETAILS)

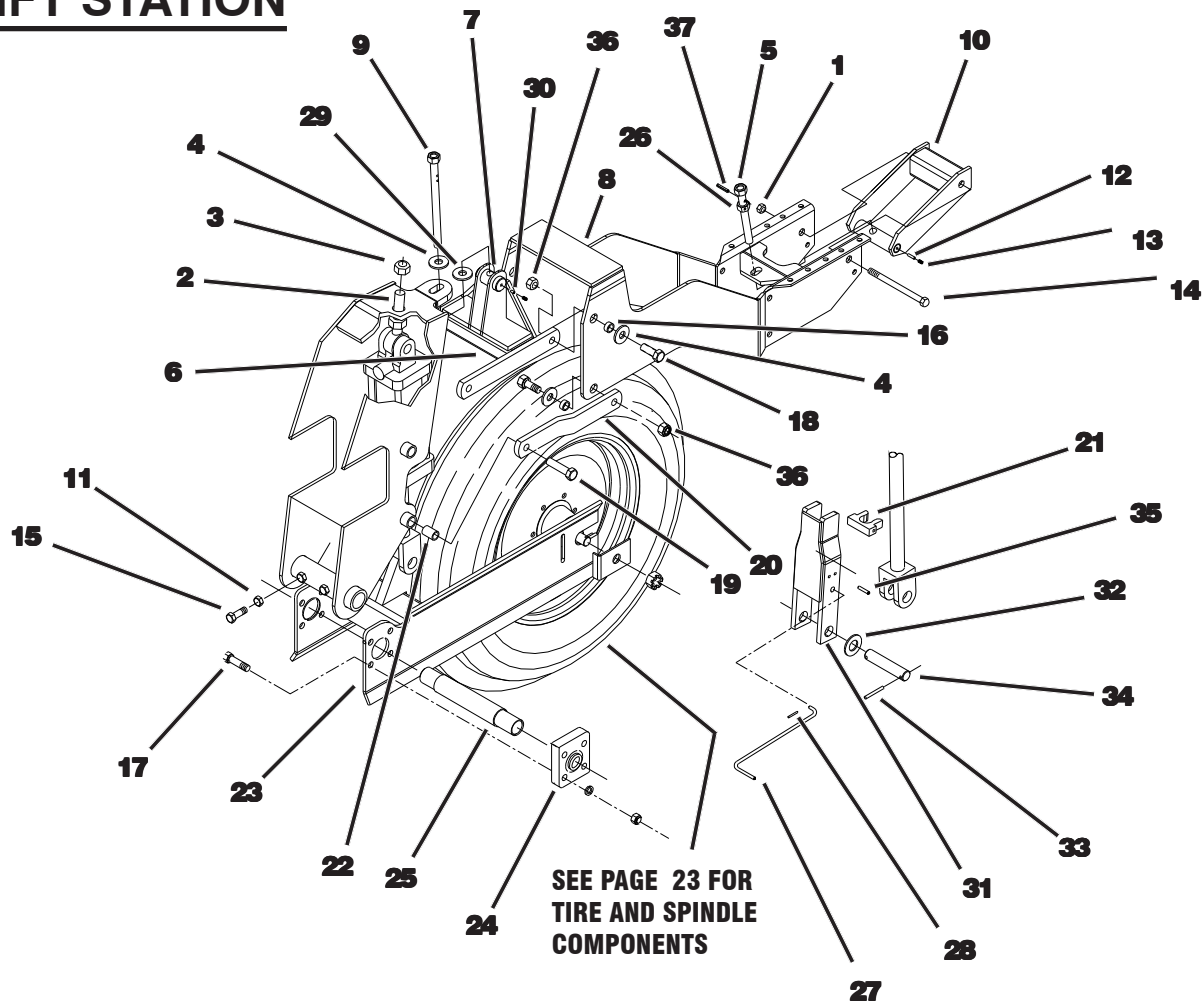


79160LF2

ITEM	PART NO	DESCRIPTION	ITEM	PART NO	DESCRIPTION
1	88125	1NC NUT	8	88771	3/8x3 ROLL PIN
2	88196	1 FLAT WASHER	9	69608	SINGLE FOLD LINKAGE (1IN)
3	70217	R/B 241043 1-1/4NCX7 EYEBOLT	10	69006	CLEVIS PIN 2-1/4X18-3/32
4	42473	CYLINDER PIN 1x2-3/8	11	88145	5/8NCx4x5-1/4 U-BOLT
5	42484	CYLINDER LOCK PIN	12	69610	WING REST ASSY (RED)
6	67863	BOTTOM PIN 1x5.62	13	88447	1NCx3-1/2 GR5 BOLT
7	69601	2 BAR FOLD LINKAGE (1IN)	14	69607	CENTER CYLINDER LINK (RED)
8	88771	3/8x3 ROLL PIN			

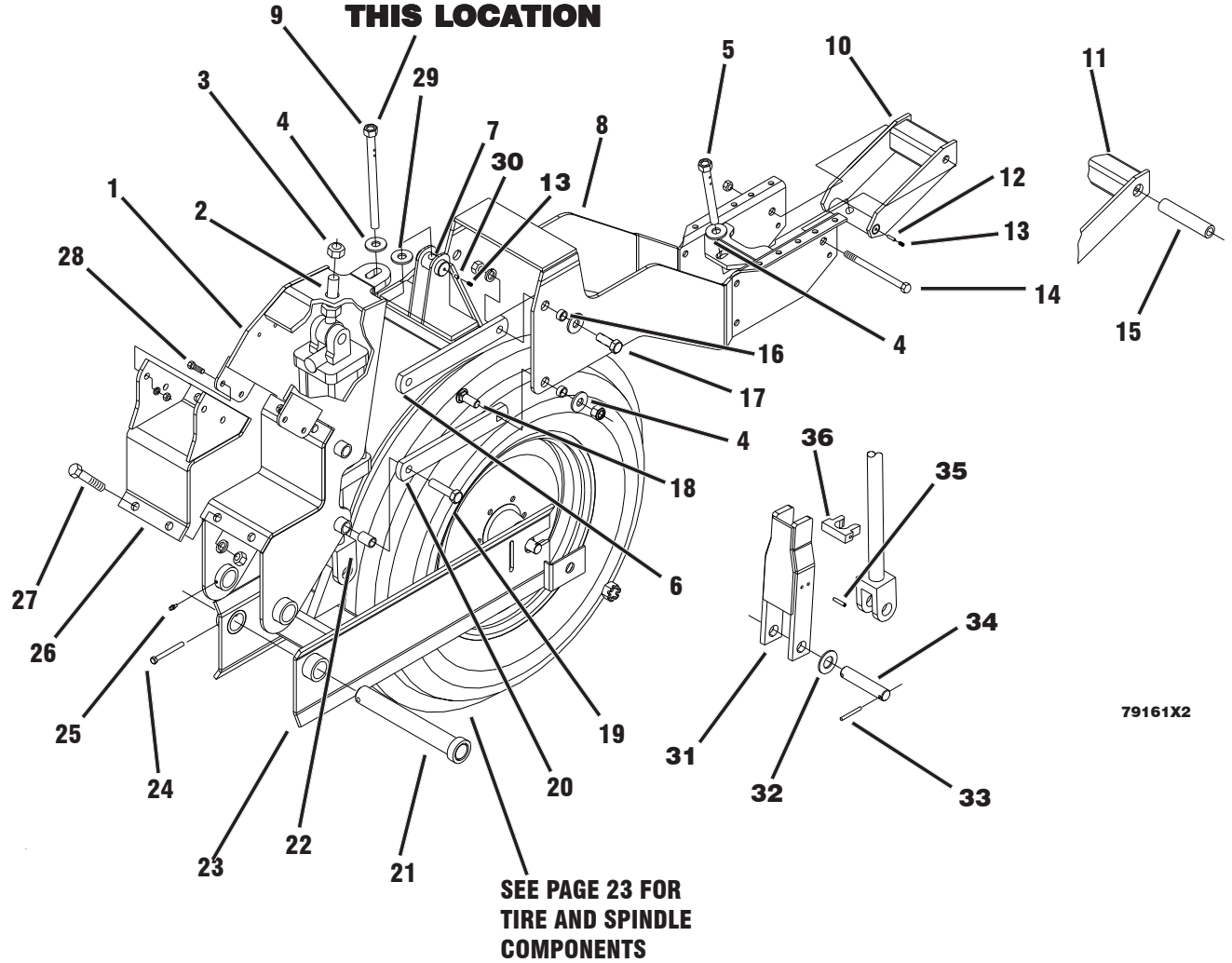
LIFT STATION

Serial Number 455338 & up



ITEM	PART NO	DESCRIPTION	ITEM	PART NO	DESCRIPTION
1	88611	3/4NC NYL LK NUT	20	239104	OFFSET LINK
2	69567	CYLINDER ADJUST ROD	21	222335	PLASTIC SNAP
3	88622	1-1/4NC JAM NUT	22	220459	BUSHING (.760x1x1.44)
4	88131	3/4 FLAT WASHER	23	234546	AXLE LEG
5	234311	3/4 x 6.84DJ BOLT	24	223955	4 HOLE BRG (1-1/2 BORE)
6	69550	H-LINK WELDMENT	25	234594	AXLE LEG SPINDLE
7	64021	TRUNNION - INNER	26	234249	3/4 ACME W/HOLE
8	235496	LIFT STATION SHANK MOUNT	27	234633	PULL ROD 3/8X15
9	64025	BOLT WELDMENT (10.87 THREADS)	28	89018	1/8X1 ROLL PIN
10	64018	PIVOT BRACKET	29	88548	3/4SAE FLAT WASHER
11	88774	5/8NC JAM NUT	30	64085	PLASTIC ROD (3/16x.75IN)
12	64084	PLASTIC ROD (3/16x2.25IN)	31	222332	TRANSPORT LOCK (BLACK)
13	88706	5/16NCx5/16 SET SCREW		237086	GRAY TRNSPRT LOCK (REQ'D WHEN REPLACING CHROME ROD CYLINDER WITH THE CURRENT BLACK NITRO STEEL ROD CYLINDER) 1/2" LONGER
14	88487	3/4NCx8-1/2 GR5 BOLT	32	88196	1" FLAT WASHER
15	88977	5/8NCX1-1/2 SQ HD SET SCR	33	42484	1/4x2-1/4 SPIROL PIN
16	220460	BUSHING	34	222338	CYLINDER PIN
17	88294	5/8X2 GR5 BOLT	35	88648	1/4x1-1/4 ROLL PIN
18	88604	3/4NCx2 GR5 BOLT	36	88611	3/4NC NYL LK NUT
19	88291	3/4NCx3 GR5 BOLT	37	89078	3/16X1-3/4 ROLL PIN

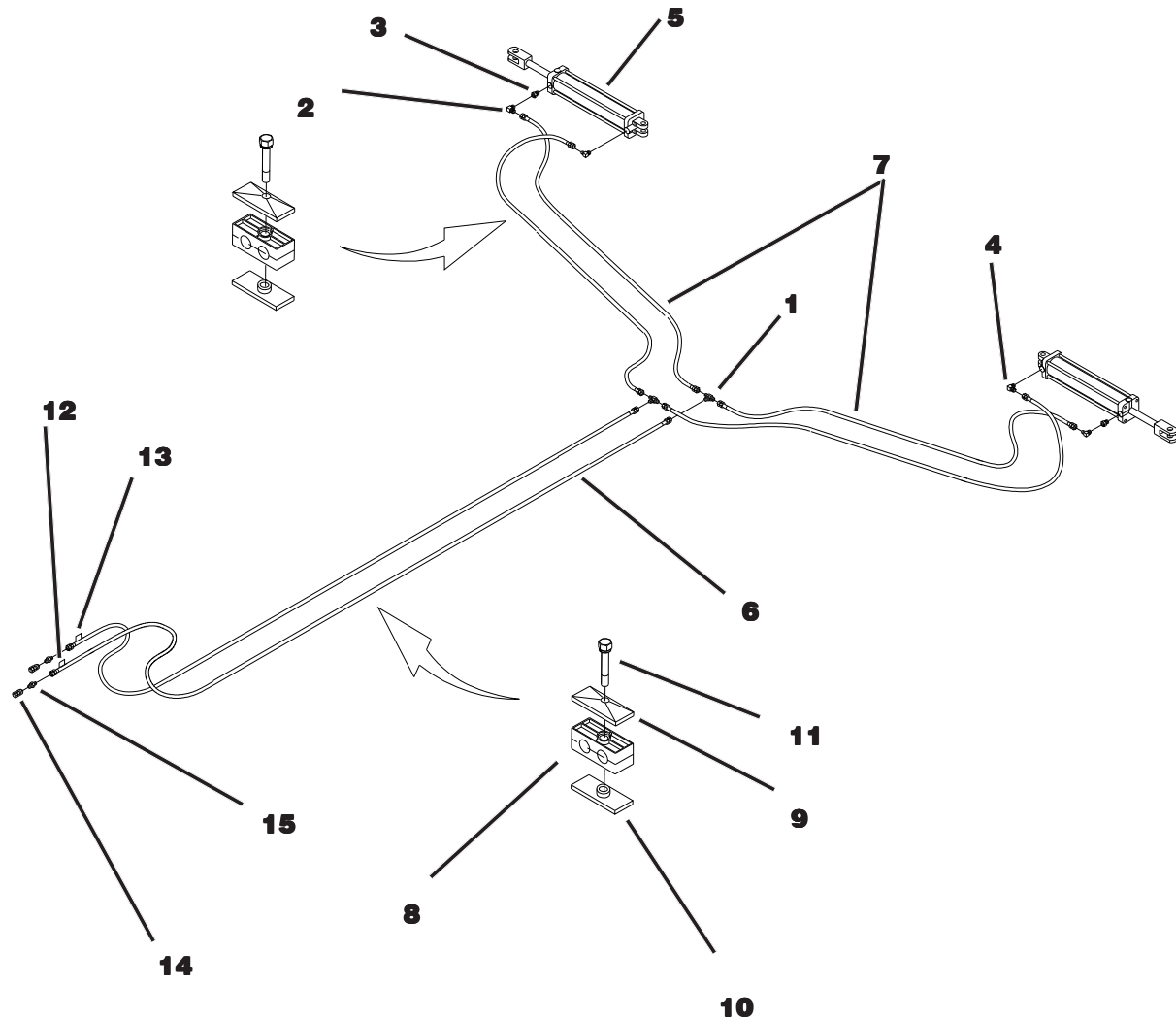
ROLL PINS NOT USED IN THIS LOCATION



ITEM	PART NO	DESCRIPTION	ITEM	PART NO	DESCRIPTION
1	69544	R/B 244768 LIFT HOUSING	20	69563	BAR
2	69567	CYLINDER ADJUST ROD	21	220429	PIN ASSEMBLY
3	88622	1-1/4NC JAM NUT	22	220459	BUSHING (.760x1x1.44)
4	88131	3/4 FLAT WASHER	23	69541	STRUT WELDMENT
5	234311	BOLT WELDMENT (6.84 THREADS)	24	88674	7/16x2-3/4 GR5 BOLT
6	69550	H-LINK WELDMENT	25	88550	1/4 GREASE FITTING
7	64021	TRUNNION - INNER	26	69547	FRONT HOUSING WELDMENT
8	69552	RCC SOLID MOUNT WELDMENT	27	88578	3/4NCx2-1/4 GR5 BOLT
9	64025	BOLT WELDMENT (10.87 THREADS)	28	88475	1/2NCx1-1/2 GR5 BOLT
10	64018	PIVOT BRACKET	29	88548	3/4SAE FLAT WASHER
11	-	(99YR)NO LONGER AVAILVABLE	30	64085	PLASTIC ROD (3/16x.75)
12	64084	PLASTIC ROD (3/16x2.25)	31	222332	RCC TRANSPORT LOCK WLDMNT
13	88706	5/16NCx5/16 SET SCREW	32	88196	1" FLAT WASHER
14	88487	3/4NCx8-1/2 GR5 BOLT	33	42484	1/4x2-1/4 SPIROL PIN
15	69542	TUBE SPACER(99 VERSION)	34	222338	CYLINDER PIN
16	220460	BUSHING	35	88648	1/4x1-1/4 ROLL PIN
17	88604	3/4NCx2 GR5 BOLT	36	222335	PLASTIC SNAP
18	89311	3/4NCx2 CARRIAGE BOLT			
19	88291	3/4NCx3 GR5 BOLT			

WING FOLD HYDRAULICS

Serial Number 455338 & up



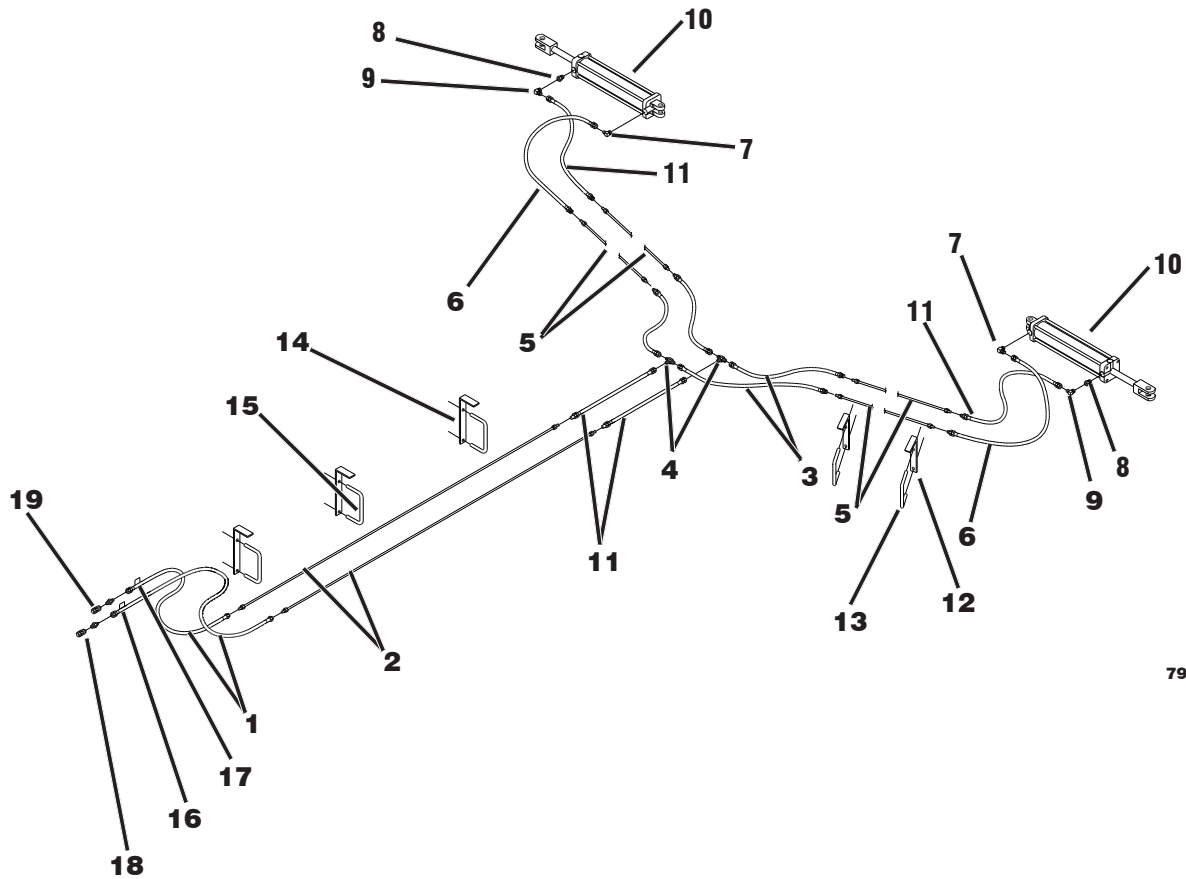
ITEM	PART NO	DESCRIPTION
1	64346	9/16JIC(M) TEE
2	234938	9/16x3/4JIC(M) ELBOW
3	69389	3/4ORBx3/4JIC RESTRICTOR
4	24104	3/4ORBx9/16JIC(M)ELBOW
5	51200	4x16 CYLINDER (1-1/4" DIA PINS)
	222689	HEADLESS PIN 1-1/4X 5-5/8

ITEM	PART NO	DESCRIPTION
6	237263	1/4X234 HOSE FF
7	235395	1/4X116 HOSE FF-24R22
	63791	1/4X96 HOSE FF-24R45CM
	58536	1/4X60 HOSE FF-18R45CM
8	221444	1/4 CLAMP HALF
9	221445	COVER PLATE
10	221443	TWIN PLATE
11	88479	5/16NCX1-1/2 GR5 BOLT
12	54901	WING DOWN DECAL
13	54900	WING UP DECAL
14	60640	QUICK DISCONNECT COUPLER
15	58690	9/16JICx1/2NPT ADAPTER

Cylinder#	Description	Seal Kit #
68789	3-1/2x16 Tie Rod Cylinder	69581
51200	4x16 TIE ROD CYLINDER	223332

WING FOLD HYDRAULICS

Serial Number 455337 & below



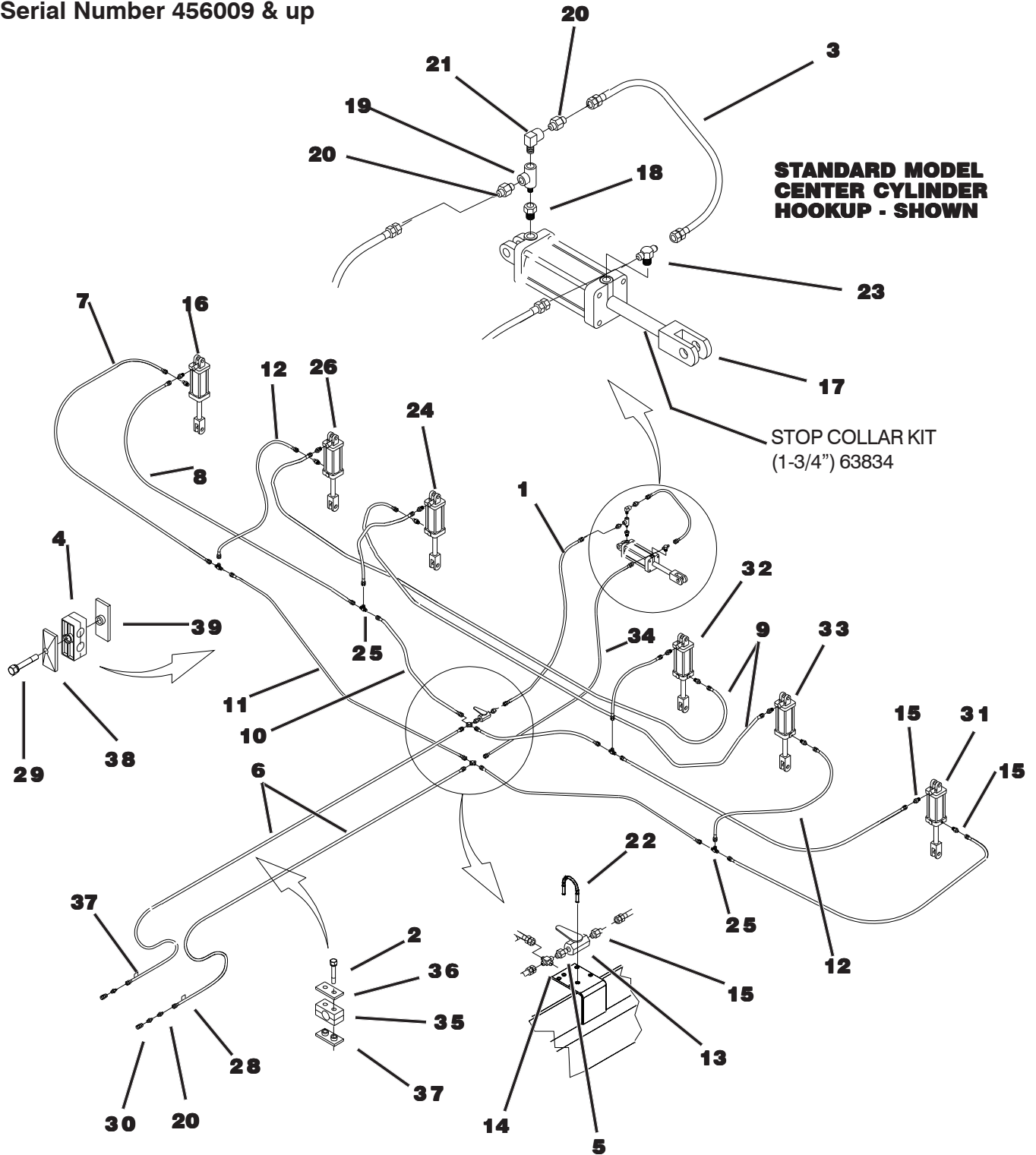
79167WF

ITEM	PART NO	DESCRIPTION	ITEM	PART NO	DESCRIPTION
1	13267	3/8x72 HOSE MF	12	220613	4x4 POLE TUBE BRACKET
2	13483	HSE 3KPSI 3/8X120 8FJX-8FJX	13	88385	3/8NCx4x4-3/4 U-BOLT
3	13262	3/8x30 HOSE MF	14	220612	7x7 POLE TUBE BRACKET
4	13238	3/4JIC(M) TEE	15	89279	3/8NCx7x6-1/4 U-BOLT
5	247430	HSE 3KPSI 1/2X65 8FJX-8FJX	16	54901	WING DOWN DECAL
6	13259	3/8x18 HOSE MF	17	54900	WING UP DECAL
7	25580	3/4ORB ELBOW	18	60640	QUICK DISCONNECT COUPLER
8	69389	3/4ORBx3/4JIC RESTRICTOR	19	13234	3/4JICx1/2NPT ADAPTER
9	40215	3/4JIC ELBOW			
10	51200	4x16 CYLINDER (1-1/4" DIA PINS) (CURRENT MODEL)			
	68789	3-1/2x16 TIE ROD CYLINDER (MODEL YEAR 2001 AND BELOW)			
11	13260	3/8x24 HOSE MF			

Cylinder#	Description	Seal Kit #
68789	3-1/2x16 Tie Rod Cylinder	69581
51200	4x16 TIE ROD CYLINDER	223332

STANDARD LIFT HYDRAULICS

Serial Number 456009 & up



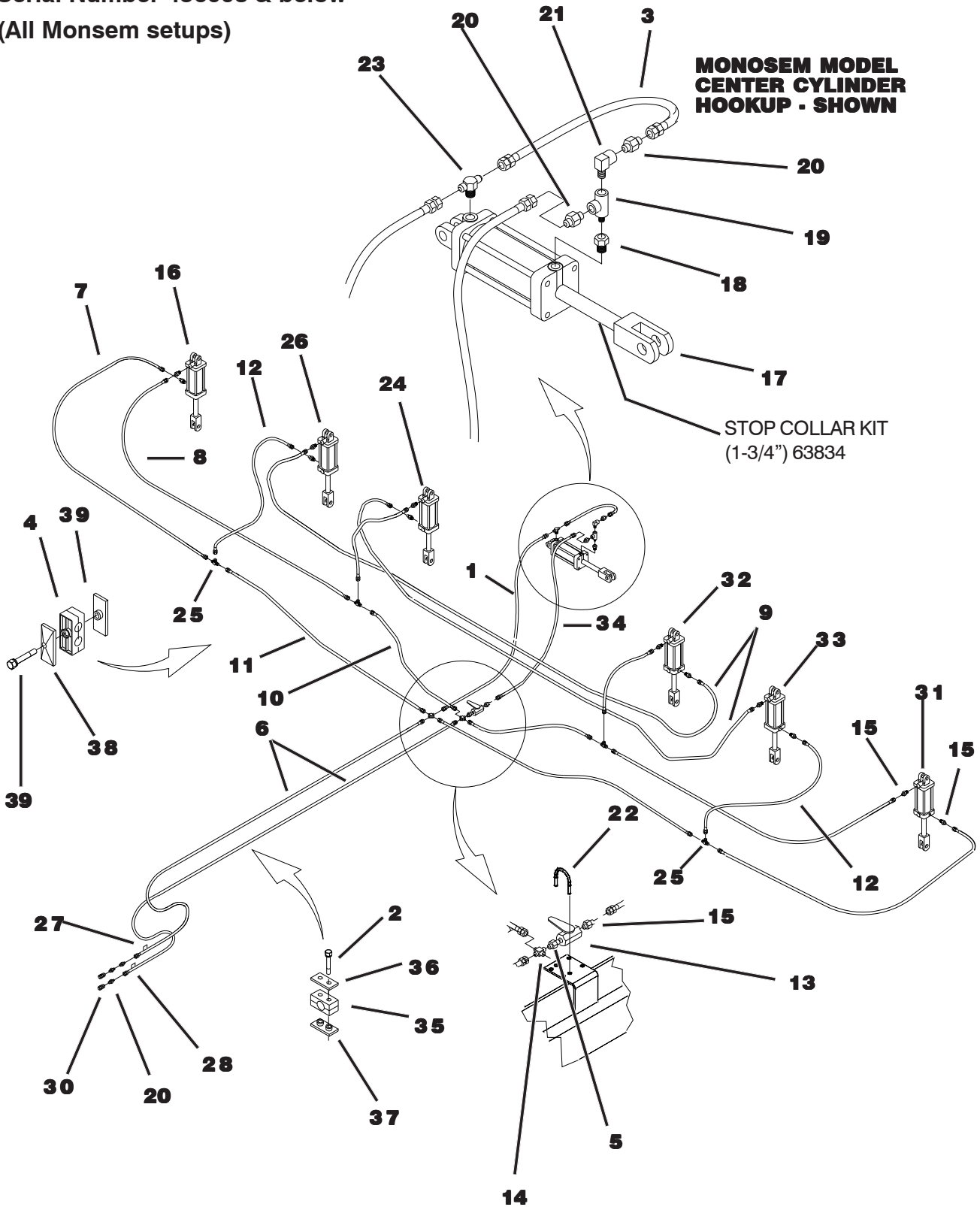
NOTE: 4x8 CENTER CYLINDER HOOK UP IS THE ONLY DIFFERENCE BETWEEN THE STANDARD AND THE MONOSEM HYDRAULICS.

Cylinder	Description	Chrome SealKit	NitroSteel SealKit
223924	3-1/4x8 Seq. Cylinder		237089
25659	3-1/4x8 Seq. Cylinder		237089
223925	3-1/2x8 Seq. Cylinder		237090
25654	3-1/2x8 Seq. Cylinder		237090
237253	R 3-1/2X8 Cylinder		237090
237254	L 3-1/2X8 Cylinder		237090
69092	4x8 ASAE Cylinder	222038	

ITEM PART NO	DESCRIPTION	ITEM PART NO	DESCRIPTION
1	13261 3/8x30 HOSE FF	16	237253 RIGHT 3-1/2x8 HYD CYLINDER
2	88997 1/4NCx1-3/4 GR5 BOLT	17	69092 4x8 TIE ROD CYLINDER
3	14850 3/8x18 HOSE FF	18	222855 ADP 8MORBx8FPT
4	220645 CLAMP HALF 3/8	19	69686 PILOT CHECK VALVE 1/2NPT
5	24004 ADP 8MORB x 8FJX	20	13234 ADP 8MJx8MPT
6	237264 1/2x234 HOSE FF	21	69082 ELB 4MPTx8FPT
7	233689 3/8x180 HOSE FF-24R22	22	88498 5/16NCx1-1/2 GR5 U-BOLT
	235386 3/8x137 HOSE FF-MONOSEM	23	56534 TEE 8MJx8MJx8MORB
	235386 3/8x137 HOSE FF-24R45CM	24	223925 RIGHT 3-1/2x8 SEQ. CYLINDER
	235388 3/8x102 HOSE FF-18R45CM	25	13238 TEE 8MJx8MJx8MJ
8	234939 3/8x220 HOSE FF-24R22	26	223924 RIGHT 3-1/4x8 SEQ CYLINDER
	233689 3/8x180 HOSE FF-MONOSEM	27	54902 MAIN UP DECAL
	59909 3/8X168 8FJX-8FJX-24R45CM	28	54903 MAIN DOWN DECAL
	235386 3/8x137 HOSE FF-18R45CM	29	88479 5/16NCx1-1/2 GR5 BOLT
9	233689 3/8x180 HOSE FF-24R22	30	60640 QUICK DISCONNECT COUPLER
	13484 3/8x156 HOSE FF-24R45CM	31	237254 LEFT 3-1/2x8 HYD CYLINDER
	13484 3/8x156HOSE FF-18R45CM	32	25654 LEFT 3-1/2x8 SEQ CYLINDER
10	25602 3/8x65 HOSE FF-24R22	33	25659 LEFT 3-1/4x8 SEQ. CYLINDER
	13265 3/8x56 HOSE FF-24R45CM	34	14644 3/8x36 HOSE FF
	13265 3/8x56HOSE FF-18R45CM	35	B112479 CLAMP HALF 1/2
11	13483 3/8x120 HOSE FF-24R22	36	B112492 COVER PLATE
	235388 3/8x102HOSE FF-24R45CM	37	B112498 NUT PLATE TWIN
	235388 3/8x102 HOSE FF-18R45CM	38	221445 COVER PLATE 3/8
12	25594 3/8x21 HOSE FF	39	221443 TWIN PLATE 3/8
13	222120 BALL VALVE (3000PSI)		
14	15910 CROSS 8MJx8MJx8MJx8MJ		
15	24024 ADP 8MORBx8MJ		

LIFT HYDRAULICS (24ROW 22")

Serial Number 456008 & below
(All Monsem setups)



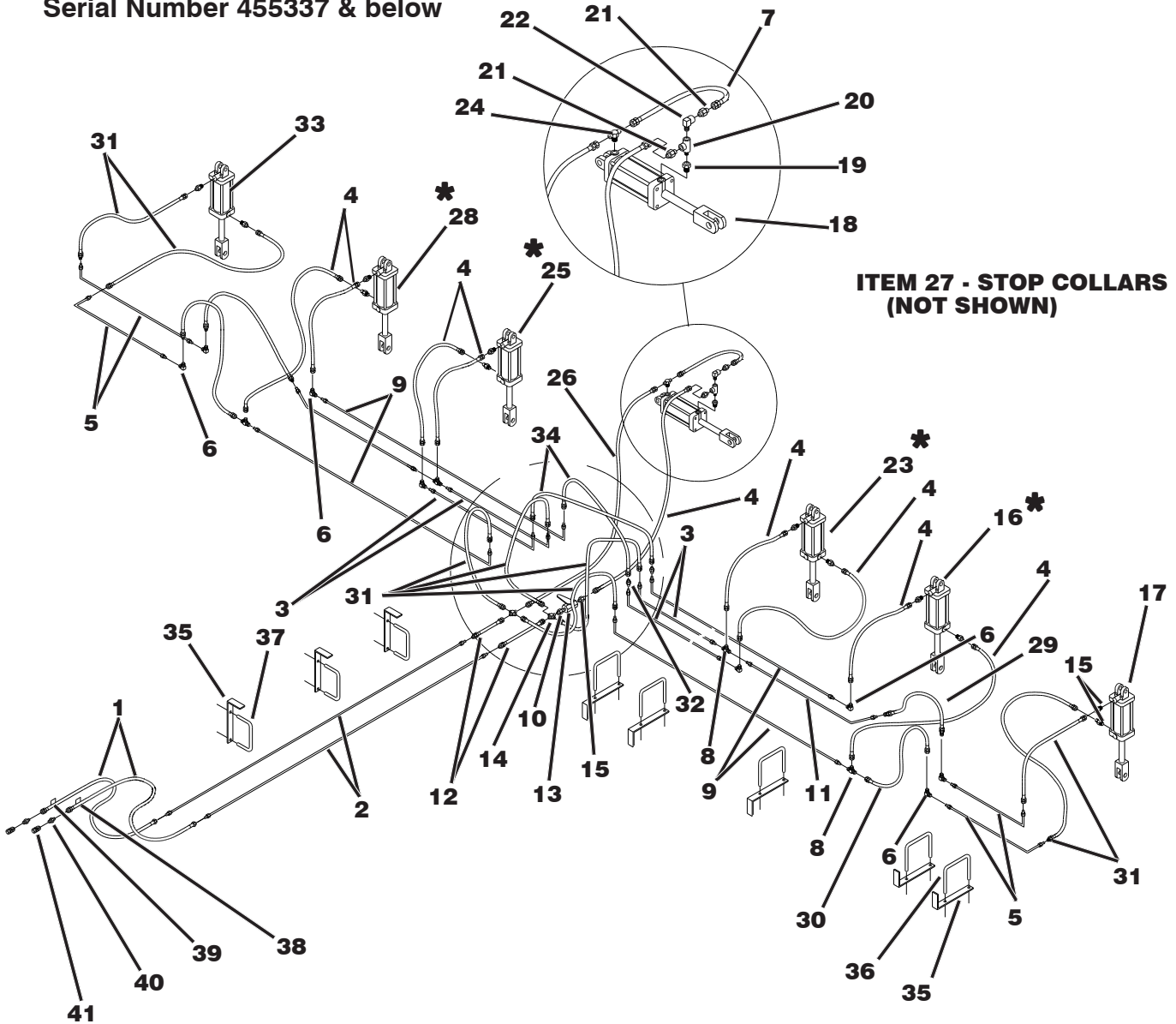
NOTE: 4x8 CENTER CYLINDER PLUMBING IS THE ONLY DIFFERENCE BETWEEN THE STANDARD AND THE MONOSEM HYDRAULICS.

Cylinder#	Description	Chrome SealKit	NitroSteel SealKit
223924	3-1/4x8 Seq. Cylinder		237089
25659	3-1/4x8 Seq. Cylinder		237089
223925	3-1/2x8 Seq. Cylinder		237090
25654	3-1/2x8 Seq. Cylinder		237090
237253	R 3-1/2X8 Cylinder		237090
237254	L 3-1/2X8 Cylinder		237090
69092	4x8 ASAE Cylinder	222038	

ITEM PART NO	DESCRIPTION	ITEM PART NO	DESCRIPTION
1 13261	3/8x30 HOSE FF	16 237253	RIGHT 3-1/2x8 HYD CYLINDER
2 88997	1/4NCx1-3/4 GR5 BOLT	17 69092	4x8 TIE ROD CYLINDER
3 14850	3/8x18 HOSE FF	18 222855	ADP 8MORBx8FPT
4 220645	CLAMP HALF 3/8	19 69686	PILOT CHECK VALVE 1/2NPT
5 24004	ADP 8MORB x 8FJX	20 13234	ADP 8MJx8MPT
6 237264	1/2x234 HOSE FF	21 69082	ELB 4MPTx8FPT
7 233689	3/8x180 HOSE FF-24R22	22 88498	5/16NCx1-1/2 GR5 U-BOLT
235386	3/8x137 HOSE FF-MONOSEM	23 56534	TEE 8MJx8MJx8MORB
235386	3/8x137 HOSE FF-24R45CM	24 223925	RIGHT 3-1/2x8 SEQ. CYLINDER
235388	3/8x102 HOSE FF-18R45CM	25 13238	TEE 8MJx8MJx8MJ
8 234939	3/8x220 HOSE FF-24R22	26 223924	RIGHT 3-1/4x8 SEQ CYLINDER
233689	3/8x180 HOSE FF-MONOSEM	27 54902	MAIN UP DECAL
59909	3/8x168 HOSE FF-24R45CM	28 54903	MAIN DOWN DECAL
235386	3/8x137 HOSE FF-18R45CM	29 88479	5/16NCx1-1/2 GR5 BOLT
9 233689	3/8x180 HOSE FF-24R22	30 60640	QUICK DISCONNECT COUPLER
13484	3/8x156 HOSE FF-24R45CM	31 237254	LEFT 3-1/2x8 HYD CYLINDER
13484	3/8x156HOSE FF-18R45CM	32 25654	LEFT 3-1/2x8 SEQ CYLINDER
10 25602	3/8x65 HOSE FF-24R22	33 25659	LEFT 3-1/4x8 SEQ. CYLINDER
13265	3/8x56 HOSE FF-24R45CM	34 14644	3/8x36 HOSE FF
13265	3/8x56HOSE FF-18R45CM	35 B112479	CLAMP HALF 1/2
11 13483	3/8x120 HOSE FF-24R22	36 B112492	COVER PLATE
235388	3/8x102HOSE FF-24R45CM	37 B112498	NUT PLATE TWIN
235388	3/8x102 HOSE FF-18R45CM	38 221445	COVER PLATE 3/8
12 25594	3/8x21 HOSE FF	39 221443	TWIN PLATE 3/8
13 222120	BALL VALVE (3000PSI)		
14 15910	CROSS 8MJx8MJx8MJx8MJ		
15 24024	ADP 8MORBx8MJ		

LIFT HYDRAULICS (24ROW 22)

Serial Number 455337 & below



*** = SEE PAGE 8. REPLACING A CHROME ROD CENTER FRAME CYLINDER WITH THE NEWER NITRO STEEL ROD (BLACK) REQUIRES A NEW TRANSPORT LOCK.**

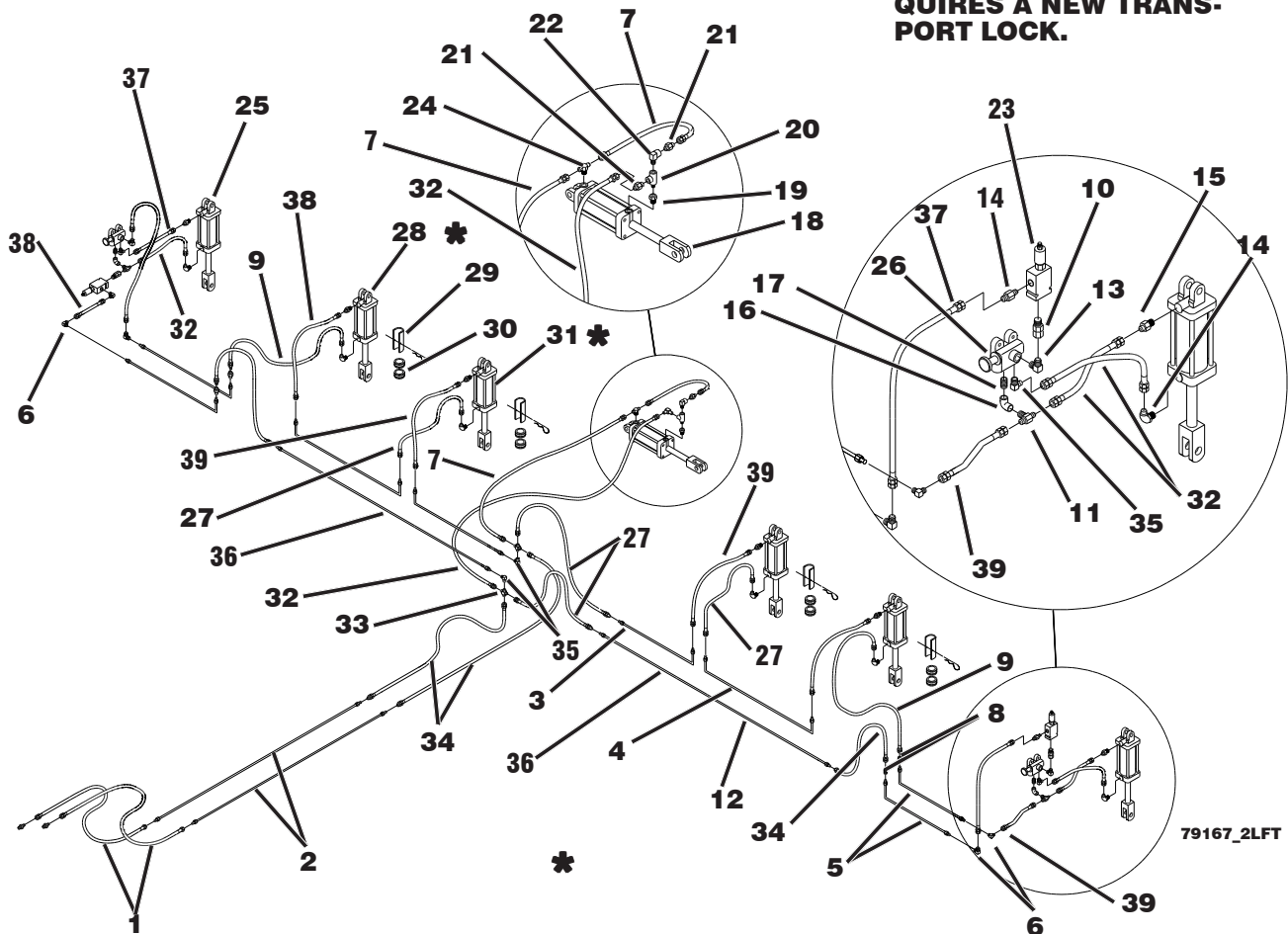
Cylinder#	Description	Chrome SealKit	NitroSteel SealKit
223924	3-1/4x8 Seq. Cylinder	40806	237089
25659	3-1/4x8 Seq. Cylinder	40806	237089
223925	3-1/2x8 Seq. Cylinder	40812	237090
25654	3-1/2x8 Seq. Cylinder	40812	237090
237253	R 3-1/2X8 ASAE Cylinder	67119	237090
237254	L 3-1/2X8 ASAE Cylinder	67119	237090
223923	L2-1/2x8 ASAE Cylinder	223333	
223922	R2-1/2X8 ASAE Cylinder	223333	
69092	4x8 ASAE Cylinder	222038	

ITEM	PART NO	DESCRIPTION	ITEM	PART NO	DESCRIPTION
1	222198	1/2x72 HOSE MF	21	13234	3/4JICx1/2NPT COUPLER
2	13253	1/2x120 HYD TUBE R/B 13483	22	69082	1/4NPTx1/2NPTF STREET ELBOW
3	21021	1/2x36+2 TUBE R/B 25597	* 23	223925	3-1/2x8 SEQ. CYLINDER (180)
4	13261	3/8x30 HOSE FF	24	56534	3/4JICx3/4ORBx3/4JIC TEE
5	13258	1/2x60+2 TUBE R/B 67636	* 25	69729	3-1/2x8 SEQ. CYLINDER
6	40215	3/4JIC ELBOW	26	14644	3/8x36 HOSE FF
7	14850	3/8x18 HOSE FF	27	63834	CYLINDER STOP PKG(1-3/4")
8	13238	3/4 JIC TEE	* 28	223924	RIGHT3-1/4x8 SEQ. CYLINDER
9	21084	1/2x82+2 TUBE R/B 56540	29	13267	3/8x72 HOSE MF
10	24004	HYD FITTING ADAPTER (3/4ORBx3/4JIC)	30	56540	3/8x89 HOSE FF
11	69038	1/2x53+4 HYD TUBE	31	13262	3/8x30 HOSE MF
12	222199	1/2X24 HOSE MF	32	13239	3/4JIC UNION
13	222120	BALL VALVE (3000PSI)	33	223922	LEFT 2-1/2x8 HYD CYLINDER (WIL-RICH MATCHUP)
14	15910	3/4JIC CROSS	34	13263	3/8x36 HOSE MF
15	24024	3/4JICx3/4ORB ADAPTER	35	220612	7x7 POLE TUBE BRACKET
* 16	223924	3-1/4x8 SEQ. CYLINDER (180)	36	89277	3/8NCx7x8-1/4 U-BOLT
17	25784	3-1/2x8 ASAE HYD CYLINDER (MONOSEM PLANTER MATCHUP)	37	89279	3/8NCx7x6-1/4 U-BOLT
	223923	LEFT 2-1/2x8 HYD CYLINDER (WIL-RICH MATCHUP)	38	54902	MAIN UP DECAL
18	69092	4x8 TIE ROD CYLINDER	39	54903	MAIN DOWN DECAL
19	222855	ADAPTER	40	13234	3/4JICx1/2NPT COUPLER ADAPTER
20	69686	VALVE	41	60640	QUICK DISCONNECT COUPLER

LIFT HYDRAULICS non-current

Serial Number 453836 & below

*** = SEE PAGE 8. REPLACING A CHROME ROD CENTER FRAME CYLINDER WITH THE NEWER NITRO STEEL ROD (BLACK) REQUIRES A NEW TRANSPORT LOCK.**



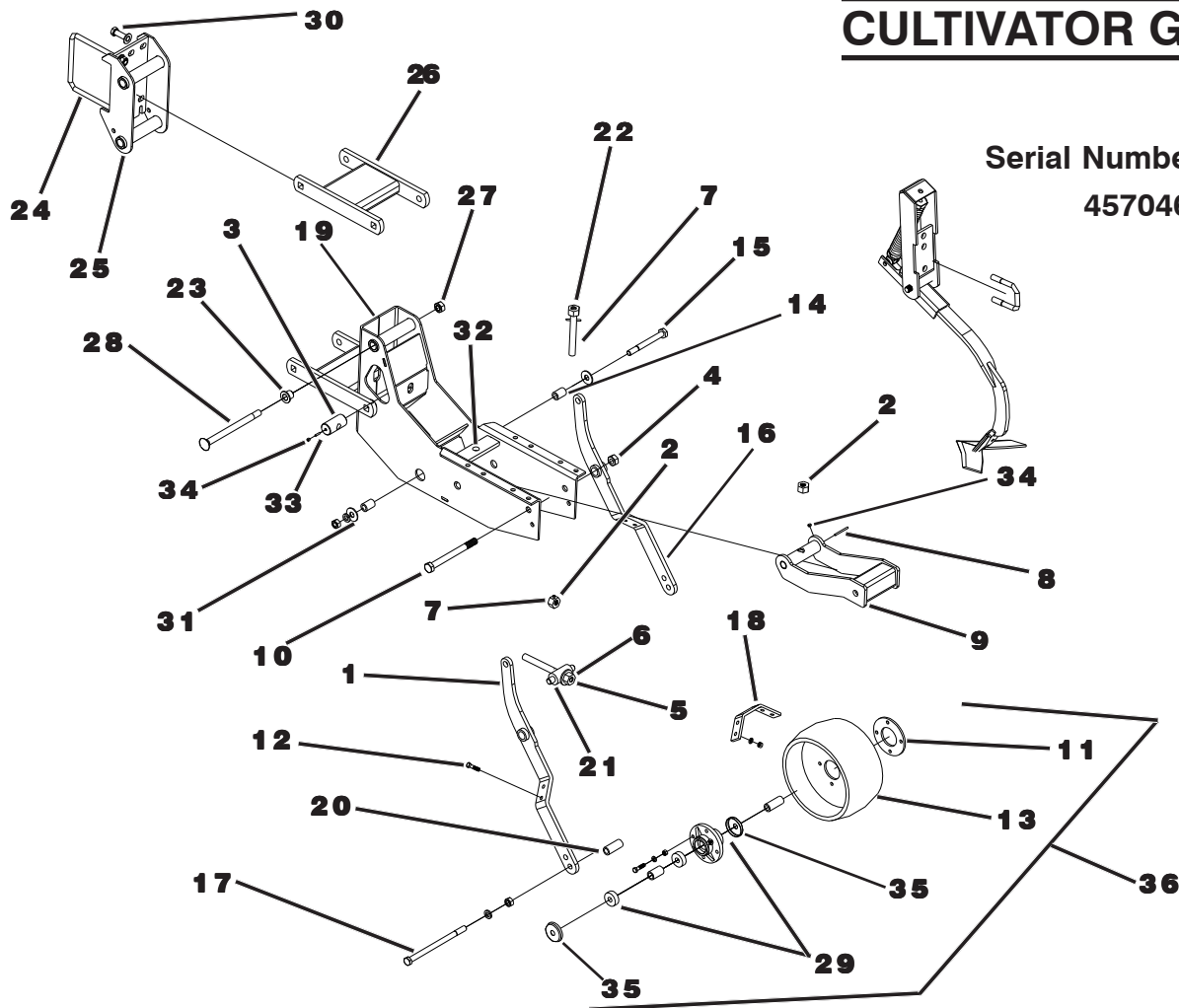
ITEM	PART NO	DESCRIPTION
1	13267	3/8x72 HOSE MF
2	13253	1/2x120 HYD TUBE R/B 13483
3	21108	1/2x38 HYD TUBE R/B 25597
4	69036	1/2x38 HYD TUBE R/B 25597
5	21022	1/2x70 HYD TUBE R/B 67636
6	40215	3/4JIC ELBOW
7	14850	3/8x18 HOSE FF
8	13239	3/4 JIC UNION
9	13269	3/8x84 HOSE MF
10	24004	HYD FITTING ADAPTER
11	244991	TEE 12MJ X 12MJ X 8MJ
12	69038	1/2x53+4 HYD TUBE
13	13236	3/4JICx1/2NPT PORT ELBOW
14	33171	ADAPTER W/O-RING ASSY
15	24024	3/4JICx3/4ORB ADAPTER
16	88168	1/2NPT ELBOW
17	69079	NO LONGER AVAILABLE
18	69092	4x8 TIE ROD CYLINDER
19	222855	ADAPTER
20	69686	VALVE
21	13234	3/4JICx1/2NPT COUPLER
22	69082	1/4NPTx1/2NPTF STREET ELBOW
23	65870	SEQUENCE VALVE
24	56534	3/4JICx3/4ORBx3/4JIC TEE

ITEM	PART NO	DESCRIPTION
25	69729	3-1/2x8 SEQ. CYLINDER
26	65870	SEQUENCE VALVE
27	13263	3/8x36 HOSE MF
*	28	25649 3-3/4x8 SEQ. CYLINDER
29	13681	1-1/2 CHANNEL LOCK
30	59185	CYLINDER STOP PACKAGE
*	31	25643 4x8 SEQ. CYLINDER
32	25595	3/8x26 HOSE FF
33	15910	3/4JIC CROSS
34	13266	3/8x60 HOSE MF
35	25591	3/4JIC MF SWIVEL ELBOW
36	15699	1/2x86 HYD TUBE R/B 56540
37	13262	3/8x30 HOSE MF
38	13260	3/8x24 HOSE MF(RIGHT SIDE)
39	14850	3/8x18 HOSE FF(LEFT SIDE)

Cylinder	Description	ChromeRod Seal Kit
69729	3-1/2x8 Seq. Cylinder	40812 R/B40060
25649	3-3/4x8 Seq. Cylinder	40817
25643	4x8 Seq. Cylinder	40822 R/B40064
25784	3-1/2x8 ASAE Cylinder	67119
69092	4x8 Tie Rod Cylinder	222038

CULTIVATOR GANG

Serial Number(S/N)
457046 & up

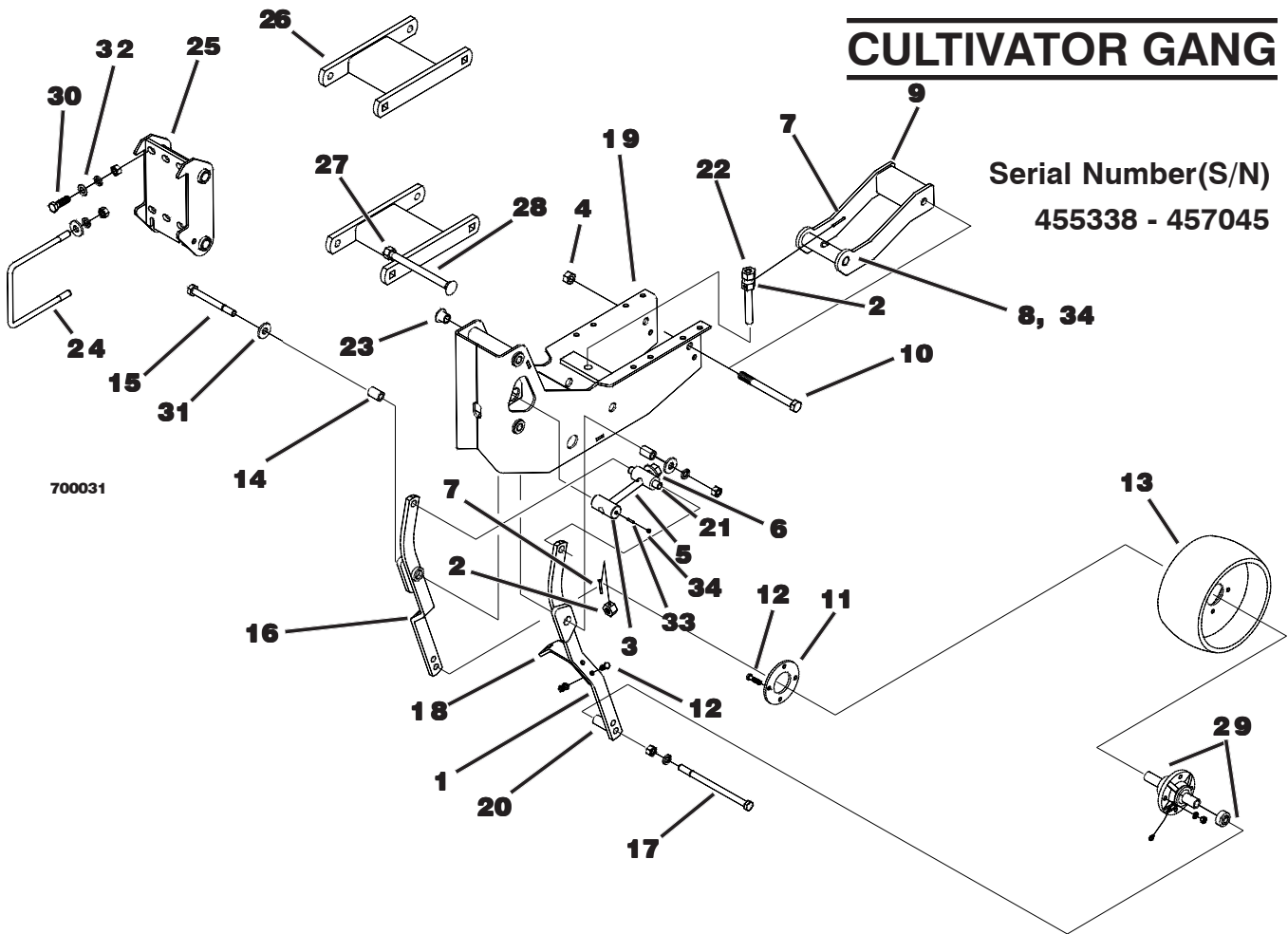


79910X2B

ITEM	PART NO	DESCRIPTION	ITEM	PART NO	DESCRIPTION
1	242504	RIGHT HD ARM	17	88477	5/8NCx10 GR5 BOLT
2	234249	3/4 ACME NUT W/HOLE	18	64083	GAUGE ARM CROSS BRACE
3	64021	INNER TRUNION	19	237184	PRSD GANG (INCLUDES ITEM 23)
4	88611	3/4NC NYLON LOCK NUT	20	223489	SPACER-1 O.D. X 3.00 LG W/ITEM 36
5	234662	3/4x7 ACME BOLT		64081	SPACER-1 O.D. X 2.44 LG W/ITEM 13
6	88131	3/4 FLAT WASHER	21	64019	TRUNION - GAUGE ARM
7	89078	3/16x1-3/4 ROLL PIN	22	237074	3/4x6ACME BOLT
8	64084	PLASTIC ROD (3/16x2-1/4)	23	64088	FLANGE BUSHING
9	234656	SHANK PIVOT BRACKET	24	89351	5/8NCx7x8-1/2 U-BOLT
10	88403	3/4NCX8 GR5 BOLT	25	237185	PRSD MOUNT(INCLUDES ITEM 23)
11	23093	SUPPORT WASHER (BLACK)	26	64007	H-WELD
12	88553	3/8NCx1-1/2 GR5 BOLT	27	88356	3/4NC LOCK NUT
13	64217	R/B 351264 GAUGE WHEEL	28	64086	3/4NCx9-3/4 CARRIAGE BOLT
14	240941	BUSHING 1ODx1.44 LG	29	242512	HUB ASSEMBLY
15	88295	5/8NCx6 GR5 BOLT		242508	HUB
16	242505	LEFT HD ARM		242511	BEARING
				242510	SPACER 1 O.D. X 1.80 LG
			30	88294	5/8NCx2 GR5 BOLT
			31	88277	3/4 FLAT WASHER
			32	88542	5/8x1-1/4 MACH BUSHING
			33	64085	PLASTIC SPACER(3/16x3/4)
			34	88706	5/16NC SET SCREW
			35	242509	DUST CAP
			36	351264	6X12 TRACTION RIB TIRE ASSY (COMPLETE)

CULTIVATOR GANG

Serial Number(S/N)
455338 - 457045

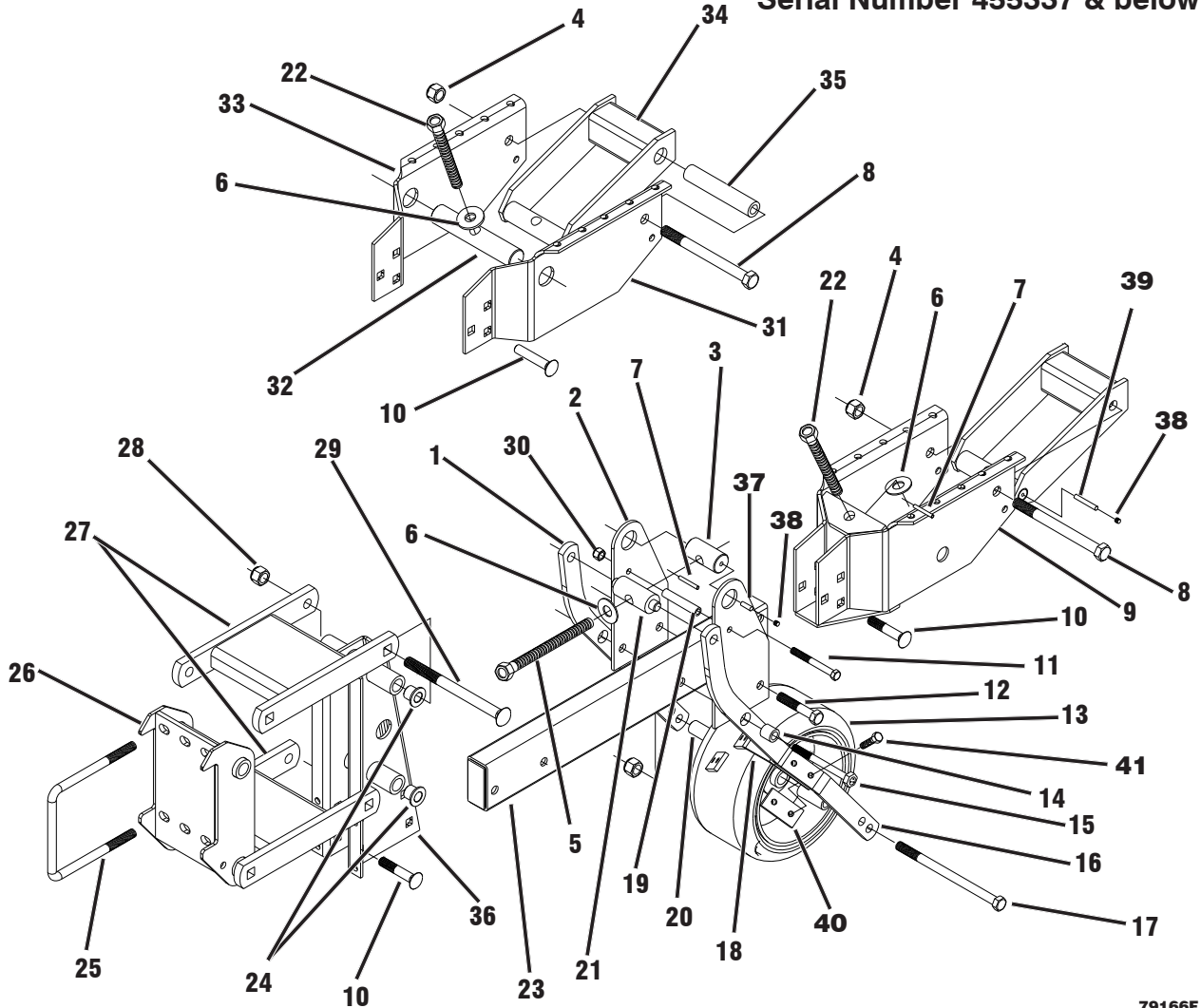


ITEM	PART NO	DESCRIPTION
1	64079	RIGHT GAUGE ARM R/B 240948
2	234249	3/4 ACME NUT W/HOLE
3	64021	INNER TRUNION
4	88611	3/4NC NYLON LOCK NUT
5	234662	3/4x7 ACME BOLT
6	88131	3/4 FLAT WASHER
7	89078	3/16x1-3/4 ROLL PIN
8	64084	PLASTIC ROD(3/16x2-1/4)
9	234656	SHANK PIVOT BRACKET
10	88403	3/4NCx8 GR5 BOLT
11	23093	SUPPORT WASHER (BLACK)
12	88553	3/8NCx1-1/2 GR5 BOLT
13	64217	R/B 351264 GAUGE WHEEL
14	23086	BUSHING .94 LG
	240941	BUSHING 1.44 LG S/N: 457046 & UP
15	88395	5/8NCx5 GR5 BOLT
16	64080	LEFT ARM R/B 240949

ITEM	PART NO	DESCRIPTION
17	88477	5/8NCx10 GR5 BOLT
18	64083	GAUGE ARM CROSS BRACE
19	237184	PRSD GANG (INCLUDES 64088)
20	64081	SPACER 1 O.D. X 2.44 LG
21	64019	TRUNION - GAUGE ARM
22	237074	3/4x6ACME BOLT
23	64088	BUSHING - FLANGED 3/4 IN
24	89351	5/8NCx7x8-1/2 U-BOLT
25	237185	PRSD MOUNT(INCLUDES 64088)
26	64007	H-WELD
27	88356	3/4NC LOCK NUT
28	64086	3/4NCx9-3/4 CARRIAGE BOLT
29	23089	R/B 242512 HUB ASSY-COMplete
	23091	BEARING 5/8 I.D. X 1.575 O.D.
	23092	SPACER 1 O.D. X 1.68 LG
30	88294	5/8NCx2 GR5 BOLT
31	88277	3/4 FLAT WASHER
32	88542	5/8x1-1/4 MACH BUSHING
33	64085	PLASTIC SPACER(3/16x3/4)
34	88706	5/16NC SET SCREW

CULTIVATOR GANG

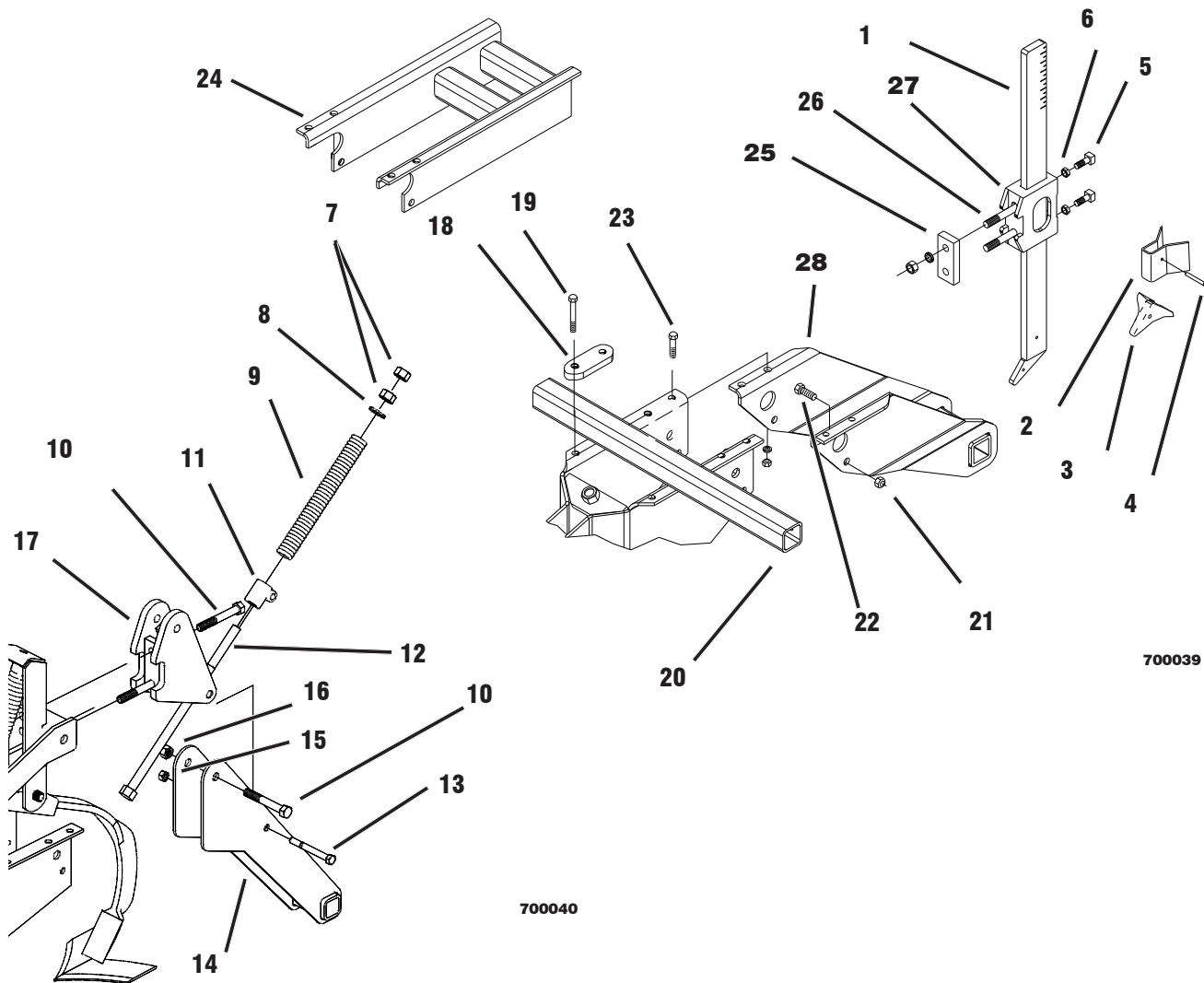
Serial Number 455337 & below



ITEM	PART NO	DESCRIPTION	ITEM	PART NO	DESCRIPTION
1	64079	RIGHT GAUGE ARM R/B 240948	22	234311	BOLT WELDMENT(6.84)
2	69549	STAND	23	69584	TREE WELDMENT
3	64021	INNER TRUNION		69587	NO LONGER AVAILABLE
4	88611	3/4NC LOCK NUT	24	64088	BUSHING - FLANGED 3/4 IN
5	64025	BOLT WELDMENT(10.97)	25	89351	5/8NCx7x8-1/2 U-BOLT
6	88131	3/4 FLAT WASHER	26	64003	MOUNTING BRACKET
7	89078	3/16x1-3/4 ROLL PIN	27	64007	H-WELD
8	88487	3/4NCx8-1/2 GR5 BOLT	28	88665	3/4NC LOCK NUT
9	69693	REAR GANG BRACKET	29	64086	3/4NCx9-3/4 CARRIAGE BOLT
10	89138	5/8NCx3-1/2 CARRIAGE BOLT	30	88162	3/8NC LOCK NUT
11	88531	3/8NCx3 GR5 BOLT	31	66248	NO LONGER AVAILABLE
12	88292	5/8NCx3-1/2 GR5 BOLT	32	64070	NO LONGER AVAILABLE
13	64217	R/B 351264 GAUGE WHEEL	33	66249	NO LONGER AVAILABLE
14	23086	BUSHING	34	64018	PIVOT BRACKET WELD
15	88633	5/8NCx5-1/2 GR5 BOLT	35	69542	NO LONGER AVAILABLE
16	64080	LEFT GAUGE WHEEL R/B 240949	36	64010	UPRIGHT WELDMENT
17	88477	5/8NCx10 GR5 BOLT	37	64085	PLASTIC SPACER - SHORT
18	64083	GAUGE ARM CROSS BRACE	38	88706	5/16NC SET SCREW
19	220718	SPACER	39	64084	PLASTIC ROD - LONG
20	64081	SPACER - 1" O.D. X 2.44" LG	40	223916	7GA. 2 HOLE SHIM
21	64019	TRUNION - GAUGE ARM	41	88479	5/16NCx1-1/2 GR5 BOLT

79166F

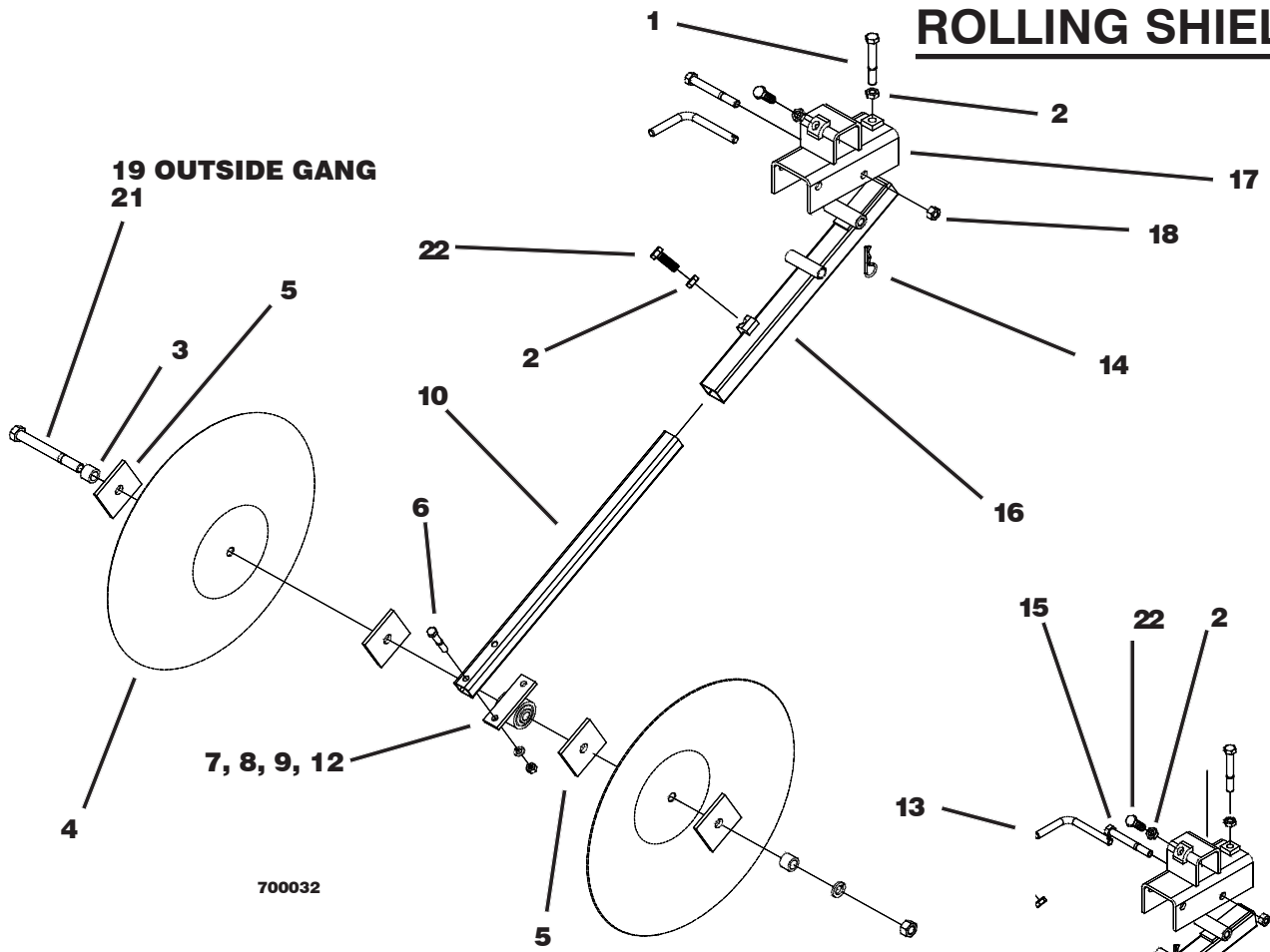
ROW CLEANOUT



ITEM	PART NO	DESCRIPTION
1	64053	CLEAN OUT SHANK (34IN)
	236695	CLEANOUT SHANK (24IN)
2	64382	CLEAN OUT WING
3	59891	DUTCH HOE & ROLL PIN
4	88648	1/4DIAx1-1/4 ROLL PIN
5	88454	1/2NCx1-1/2 SQ HD BOLT
6	88561	1/2NC JAM NUT
7	88110	3/4NC NUT
8	88548	3/4 SAE FLAT WASHER
9	68581	CMPRSN SPRING
10	88381	5/8NCx4-1/2 GR5
11	221981	MOUNT CASTING
12	67076	3/4NCx16-1/2 SPECIAL BOLT
13	88382	1/2NCx4-1/2 GR5
14	237083	NO LONGER AVAILABLE
15	88363	1/2NC LOCK NUT

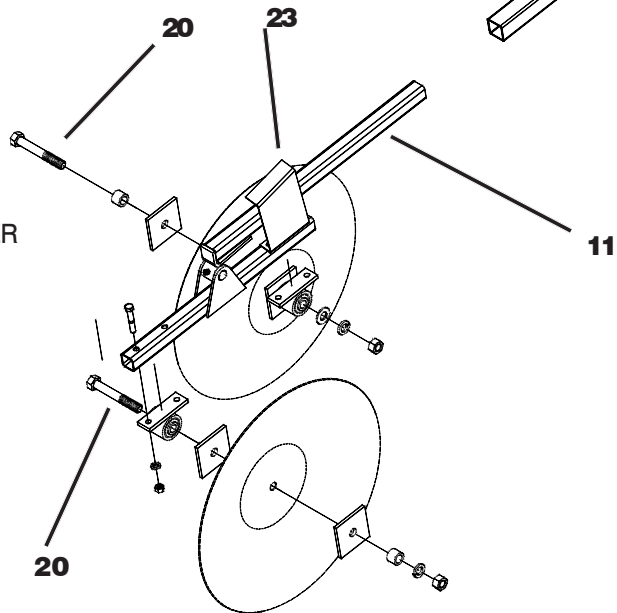
ITEM	PART NO	DESCRIPTION
16	88369	5/8NC LOCK NUT
17	237080	NO LONGER AVAILABLE
18	239105	2 HOLE PLATE
19	88507	1/2NCx3-1/2GR5
20	64120	26IN CROSS TUBE (SHOWN)
	69619	18IN CROSS TUBE
	239181	14IN CROSS TUBE
21	89064	1/2NC LOCK NUT
22	89015	1/2NCx1 GR5 BOLT
23	89034	3/8NCx1 GR5 BOLT
24	64397	SET BACK WELDMENTS (S-SHANK)
25	65412	STRAP
26	88298	5/8NCx4 GR5 BOLT
27	66972	CAST CLAMP GREY
28	222271	DROP DOWN BRACKET

ROLLING SHIELD



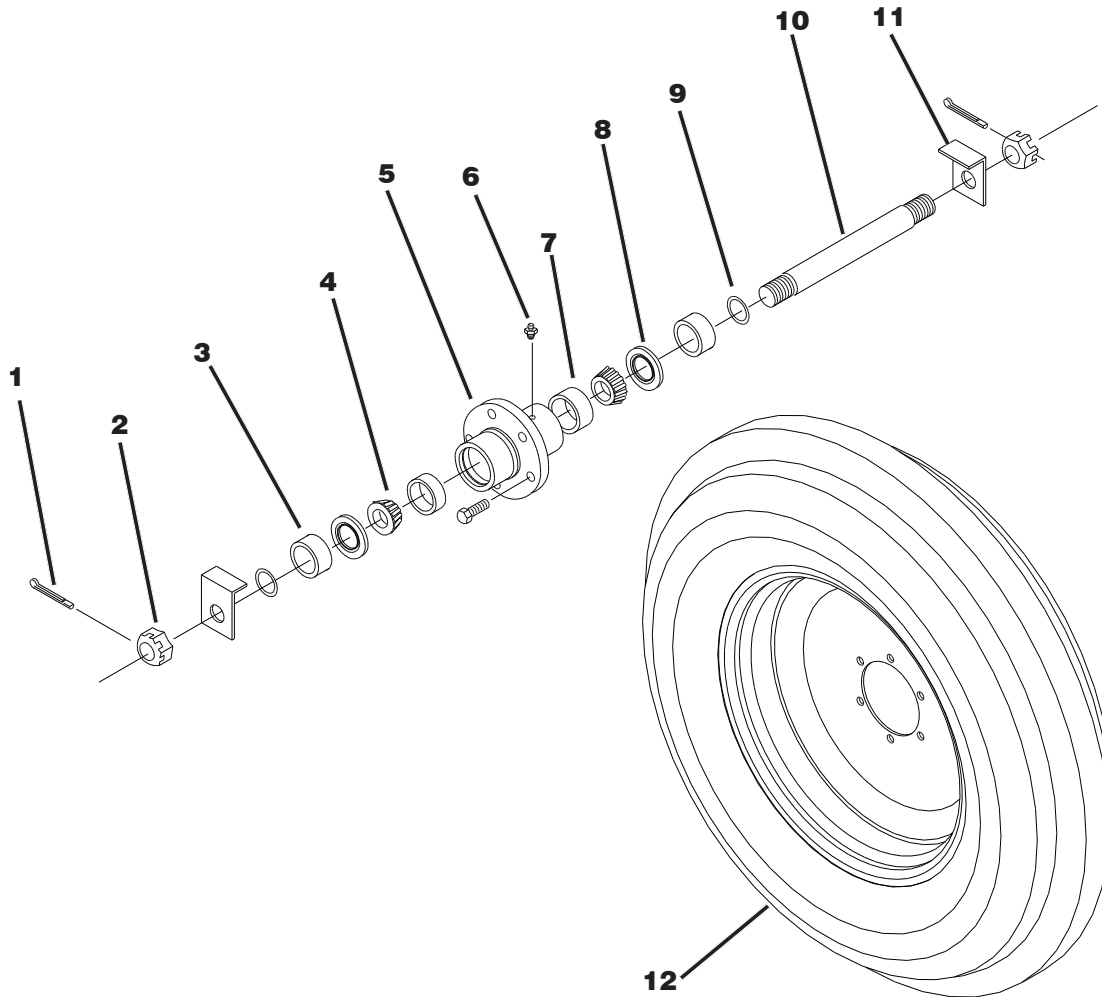
700032

ITEM	PART NO	DESCRIPTION
1	89323	1/2NCx3-1/2 GR5 BOLT
2	88561	1/2NC JAM NUT
3	64082	SPACER TUBE
4	67102	24" ROLLING SHIELD
5	64114	SUPPORT PLATE
6	88581	3/8NCx2-1/4 GR5 BOLT
7	23091	BEARING
8	66946	MACHINED BEARING HOLDER
9	66943	BEARING SPACER
10	66942	LOWER TUBE
11	236010	WALKING WELDMENT
12	88550	1/4NF GREASE FITTING
13	64351	PIN ROLLING SHIELD
14	23039	HAIR PIN COTTER 2.69
15	88595	1/2NCx4 GR5 BOLT
16	64119	UPPER TUBE WELD
17	64027	PIVOT BRACKET
18	88363	1/2NC LOCK NUT
19	89292	5/8NCx3-1/2 GR5 BOLT
20	88381	5/8NCx4-1/2 GR5 BOLT
21	88633	5/8NCx5-1/2 GR5 BOLT
22	88475	1/2NCx1-1/2 GR5 BOLT
23	239103	WALKER STOP



700033

2-1/2" HUB, SPINDLE & TIRE



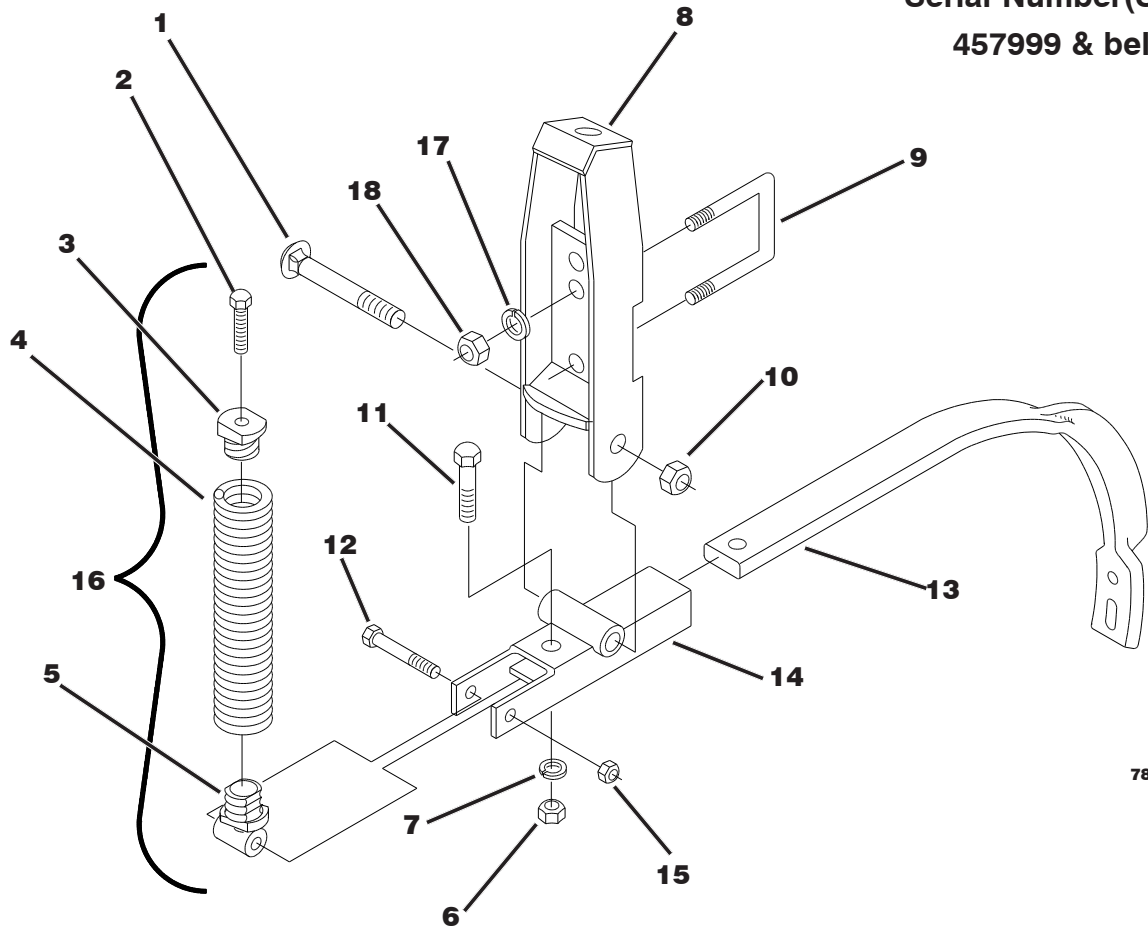
78476

ITEM	PART NO	DESCRIPTION
	220423	YOKE HUB ASSY (12-5/8")
1	88133	3/16x2 COTTER PIN
2	88299	1NF SLOTTED NUT
3	67971	2ODx1-1/2 SEALED TUBE
4	54731	1.50 BORE BEARING CONE
5	54729	6 BOLT PRESSED HUB
6	88263	1/8NPT GREASE FITTING
7	16082	BEARING CUP
8	208981	2" INTERNAL TRIPLE LIP SEAL
9	12456	SHAFT SEAL
10	220605	GW SPINDLE (1-1/2x12-5/8)
11	55150	SPINDLE LOCK

ITEM	PART NO	DESCRIPTION
12	67967	7.50x20 SL TIRE ASSY (SHOWN)
	68843	7.50x20SL (12PLY) TIRE
	68844	20x5.5 RIM 6BLT
	69067	7.5x20 TUBE W/R15 VALVE STEM
12	235471	7.50x20 PK 10PLY TRUCK TIRE ASSY
	235470	7.50x20 PK TIRE TIRE
	68844	20x5.5 RIM 6BLT
	69067	7.5x20 TUBE W/R15 VALVE STEM

STANDARD SHANK ASSEMBLY

Serial Number(S/N)
457999 & below



78230

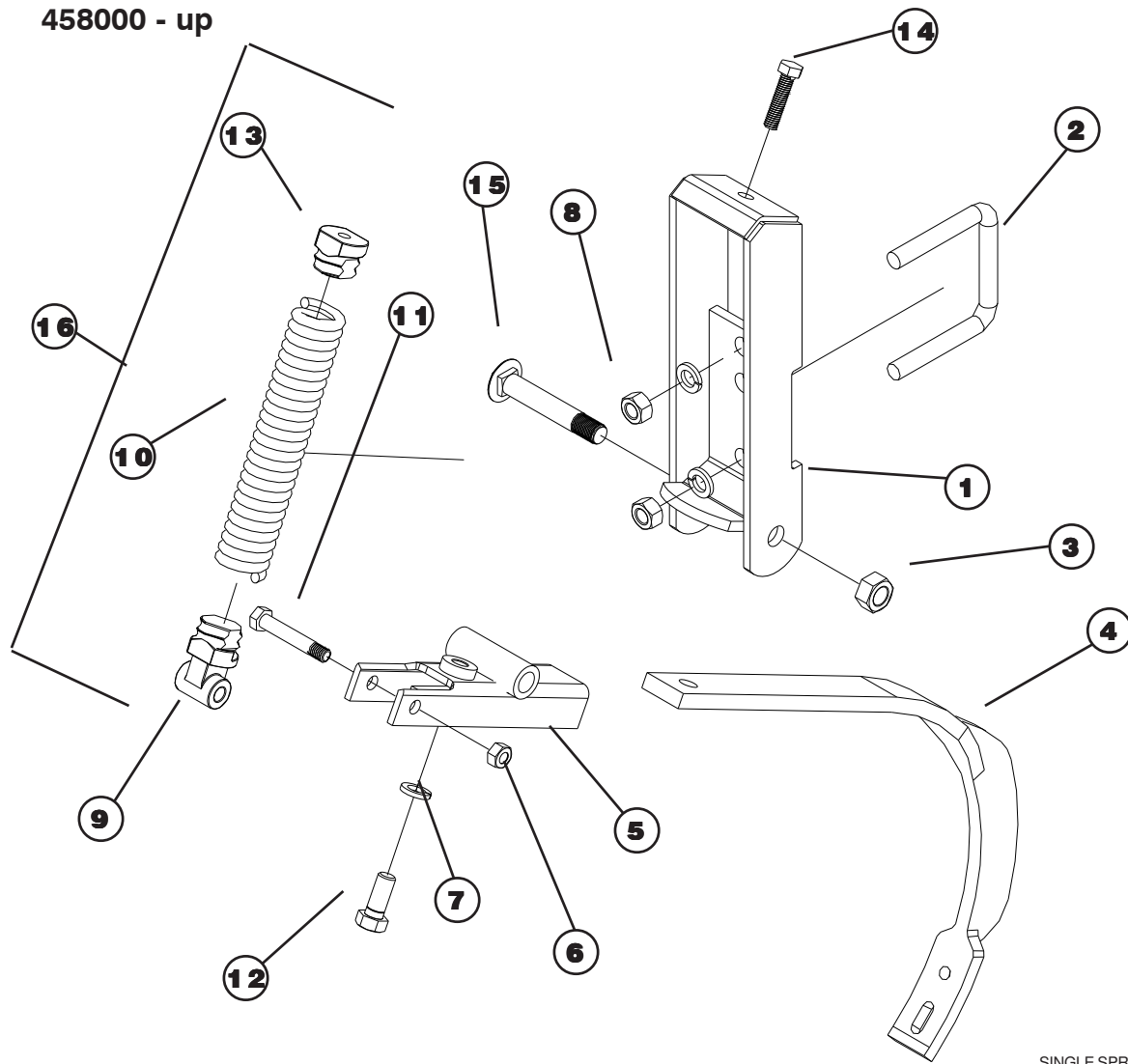
ITEM	PART NO	DESCRIPTION	ITEM	PART NO	DESCRIPTION
	53475	3/8 SPR EDGE SHANK w/HDWE	10	22463	3/4NF LOCK NUT
	53404	3/8 SPRING EDGE FORMED FC SHANK ASSY R/B 242479 (INCLUDES 1-8, 10-16)	11	88294	5/8NCx2 GR5 BOLT
1	68575	SHANK CARRIAGE BOLT	12	20637	1/2NFx3 BOLT
2	23153	1/2NCx2 BOLT	13	53408	EDGE FORMED SHANK
3	11398	SPRING PLUG	14	11509	SHANK HOLDER
4	11510	3/8DIA WIRE SPRING	15	88304	1/2NF LOCK NUT
5	11397	SPRING HANDLE	16	11540	SPRING & PLUG ASSEMBLY (REF. ITEMS 3-5)
6	88126	5/8NC NUT	17	88129	5/8 LOCK WASHER
7	88129	5/8 LOCK WASHER	18	88126	5/8NC NUT
8	11512	SHANK BRACKET			
9	88311	5/8NCx2-1/2x3-3/4 U-BOLT			

SINGLE SPRING SHANK ASSEMBLY

ASSY HDWR
74241-1

Serial Number(S/N)

458000 - up

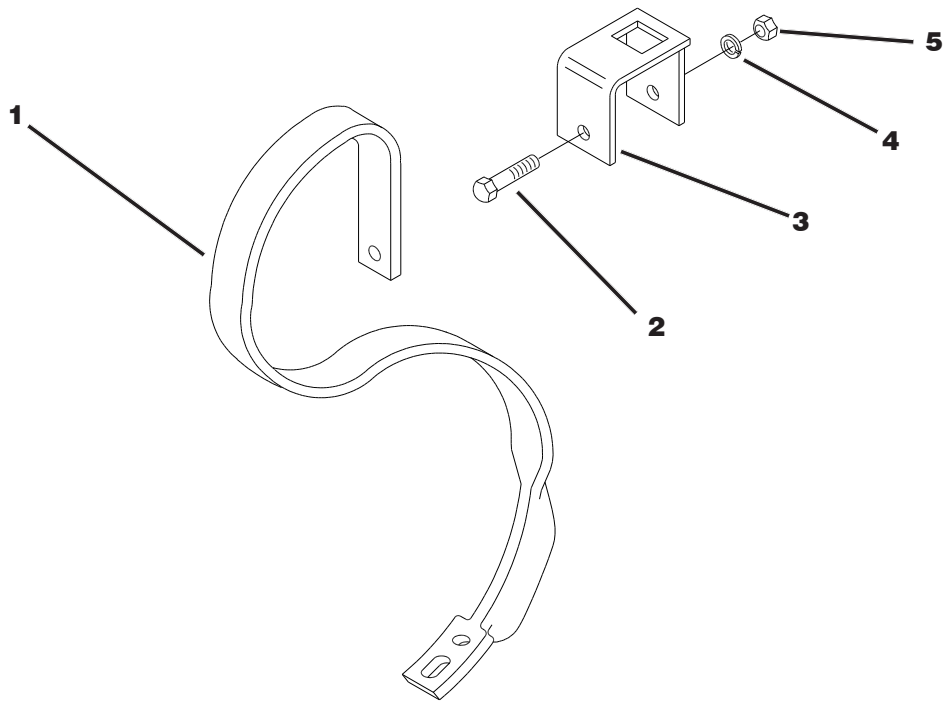


SINGLE SPRING SHANK

ITEM	PART NO.	DESCRIPTION
	53475	FC SHK HOLDER ASSY (2-1/2") (INCLUDES ITEMS 1, 3,5-6, 9-11, 13-15)
1	23667	SHANK FRAME BRACKET (2-1/2")
2	88311	5/8"NCX2-1/2"X3-3/4"U-BOLT
3	22463	3/4"NF LOCK NUT
4	53408	EDGE FORMED SHANK
5	240588	SHANK HOLDER
6	88363	1/2"NC LOCK NUT
7	88129	5/8" LOCK WASHER

ITEM	PART NO.	DESCRIPTION
8	88126	5/8"NC NUT
9	11397	SPRING HANDLE (PLAIN)
10	11510	SPRING
11	20637	1/2"NCX3" GR5 BOLT
12	88577	5/8"NCX1-1/2" GR5 BOLT
13	11398	SPRING PLUG (PLAIN)
14	23153	1/2"NCX2" GR5 BOLT
15	68575	CARRIAGE BOLT
16	11540	SPRING PLUG ASSEMBLY (INCLUDES 9-10 & 13))

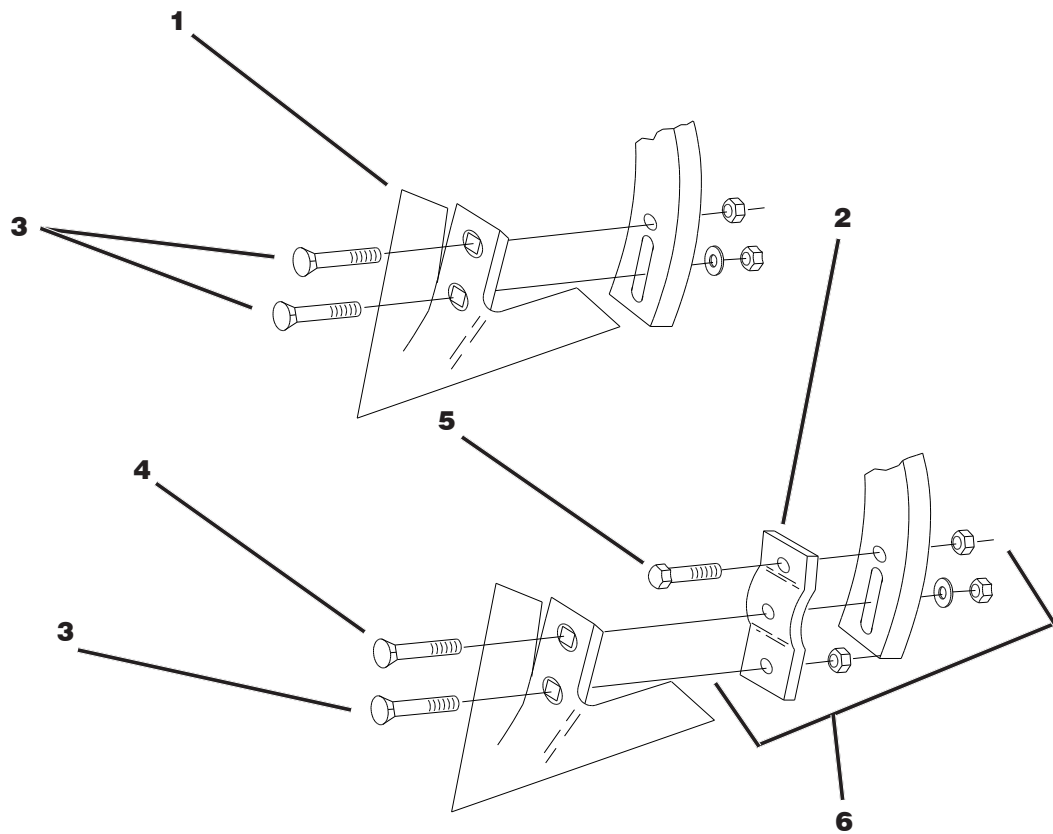
S-SHANK ASSEMBLY



78232

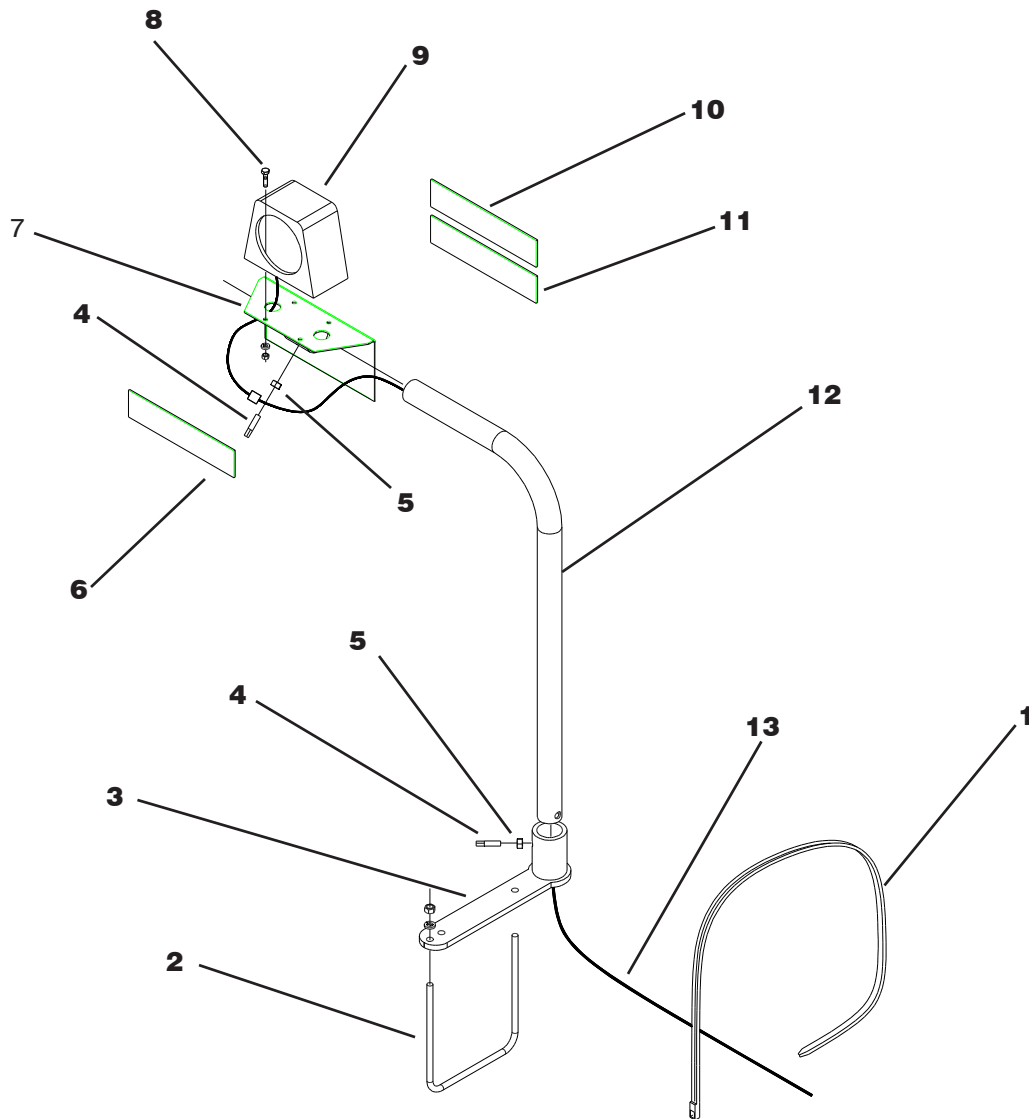
ITEM	PART NO	DESCRIPTION
	53473	2500 EDGE FORMED S-SHANK ASSEMBLY w/HDWE
1	53409	EDGE FORMED S-SHANK
2	88381	5/8NCx4-1/2 GR5 BOLT
3	41151	2-1/2 SQ TINE CLAMP
4	88129	5/8 LOCK WASHER
5	88126	5/8NC NUT

SHOVELS & EXTENSIONS



ITEM	PART NO	DESCRIPTION
1	64362	PEANUT SWEEP PACKAGE
	64352	14" PEANUT SWEEP - 47°
	88152	7/16 FLAT WASHER
	88344	7/16NC HEAVY NUT
	88599	7/16NCx1-1/2 No. 3 PLOW BOLT
2	41575	FC SHANK EXTENSION
3	88599	7/16NCx1-1/2 PLOW BOLT
4	88464	7/16NCx2-1/4 PLOW BOLT
5	88392	7/16NCx1-1/2 GR5 BOLT
6	16339	FC SHOVEL EXTENSION KIT (CONTAINS 4 EXTENSIONS W/HDWE)

LIGHTS



ITEM	PART NO	DESCRIPTION	ITEM	PART NO	DESCRIPTION
	223165	LIGHTING KIT	11	223118	RED/ORANGE FLUORESCENT DECAL
1	13479	4" SQUARE TIE LOOP	12	223158	12x26 LIGHT ARM
2	89277	3/8NCx7x8-1/4 U-BOLT	13	223330	AG LIGHT KIT
3	223131	LONG BASE PIVOT			INCLUDES THE FOLLOWING ITEMS
4	88702	3/8NCx3/4 SQ HEAD SET SCREW		223145	AG MODULE
5	88103	3/8NC NUT		223146	WISHBONE 4 LEAD
6	22372	AMBER REFLECTOR		64597	30' HARNESS
7	223126	LIGHT/REFLECTOR BRACKET		223143	AMBER LIGHT (2)
8	88203	1/4NCx1 BOLT		223144	RED LIGHT (2)
9	223143	AMBER LIGHT			
	223144	RED LIGHT			
10	22371	RED REFLECTOR			



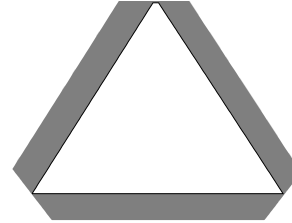
65342 WIL-RICH DECAL(3-5/8x23-7/8)



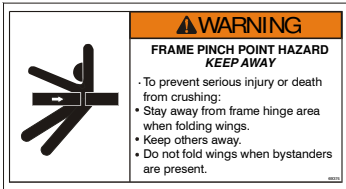
69561 PT 7722 DECAL



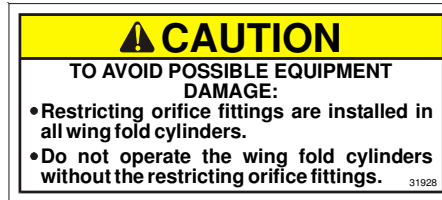
62557 GREASE FITTING DECAL



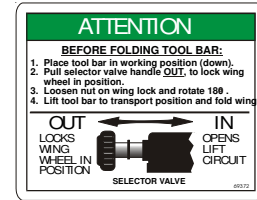
41345 SMV KIT



69374 CRUSHING DECAL



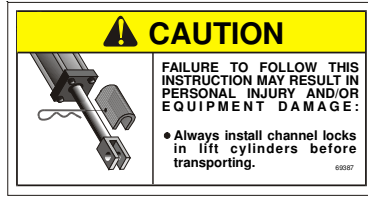
31928 CAUTION DECAL



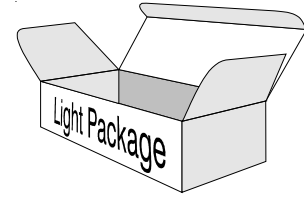
69373 CIRCUIT CHANGE DECAL



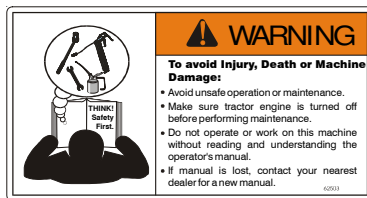
31942 CAUTION DECAL



69387 CHANNEL LOCK DECAL



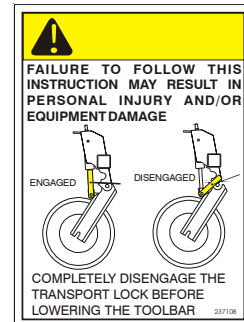
223165 CLEARANCE LIGHT PACKAGE



62503 SERVICE DECAL



62558 HIGH PRESSURE FLUID



237108 TRANSPORT LOCK DECAL