



# PARTS MANUAL

## WIL-RICH 2510/2530 CHISEL PLOW

79986 - 7/14



**WIL-RICH**

PO Box 1030  
Wahpeton, ND 58074  
PH (701) 642-2621  
Fax (701) 642-3372  
[www.wil-rich.com](http://www.wil-rich.com)

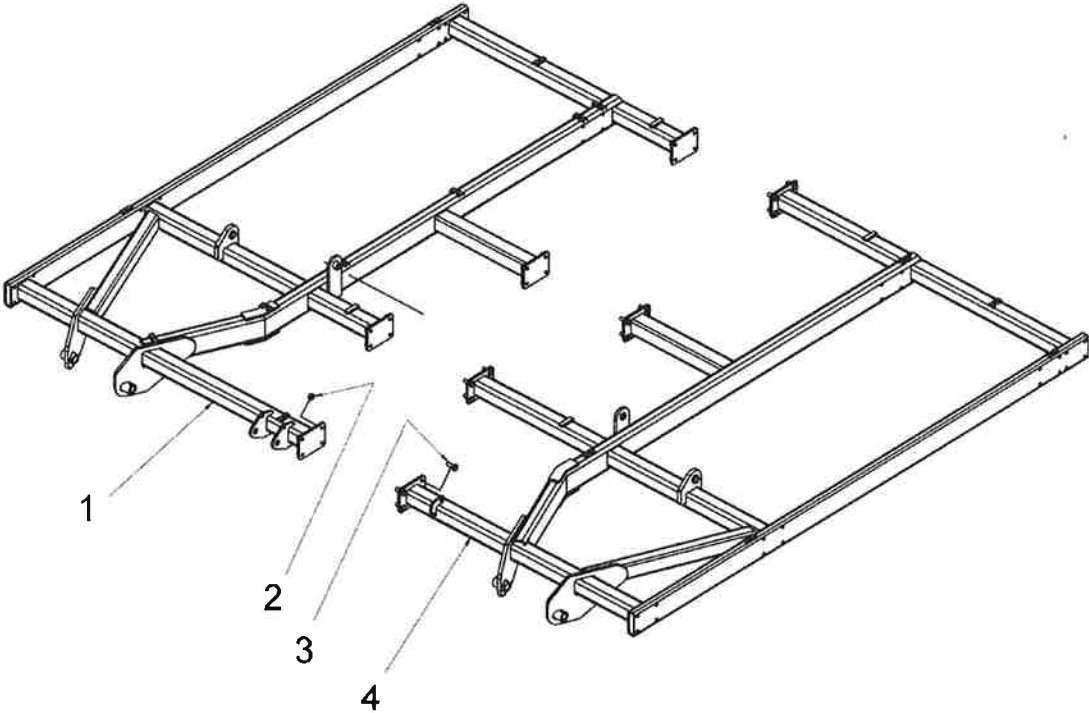
## TABLE OF CONTENTS

COMPONENT	Pg. #
DECALS	86-87
GAUGE WHEELS	56-61
HARROW ITEMS	72-85
HITCH	62-65
HOSE CLAMPS	20-21
HUBS AND SPINDLES	50-55
HYDRAULICS	22-33
LEFT LIFT HITCH	40-43
MAINFRAME	2-3
MAINLIFT	4-5
RIMS/TIRES	88-89
SAFETY LIGHTS	34-37
SHANKS	44-49
SINGLE POINT	38-39
STUBS	66-67
UTILITY POLE/SMV	68-71
WING FRAMES	6-15
WING LIFT	16-17
WING LOCK	18-19

**MAIN FRAME**

---

8477275-1



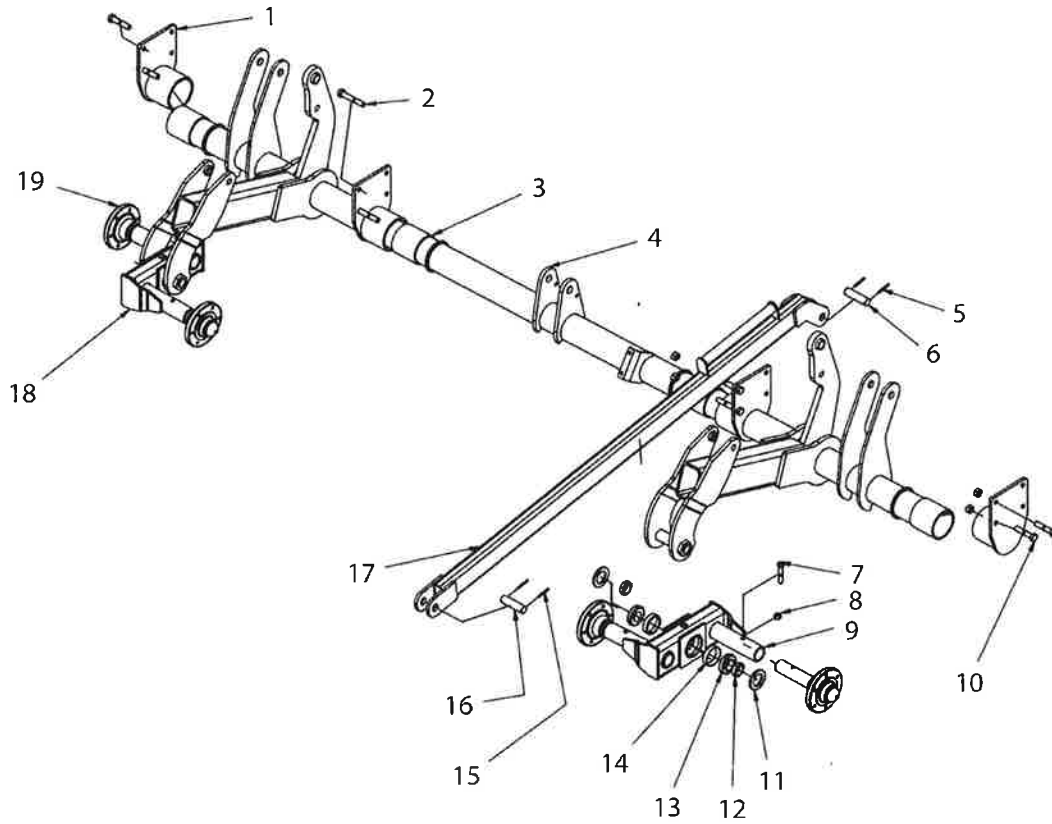
MAINFRAME

Item	Part Number	Qty	Description
1	248397	1	MAIN FRAME - RIGHT
2	88356	16	NUT 2POSLK 3/4-10NC 5Z
3	88290	16	BLT HEX 3/4-10NC X 2 8YZ
4	248396	1	MAIN FRAME - LEFT

**MAIN LIFT**

---

8477259-1



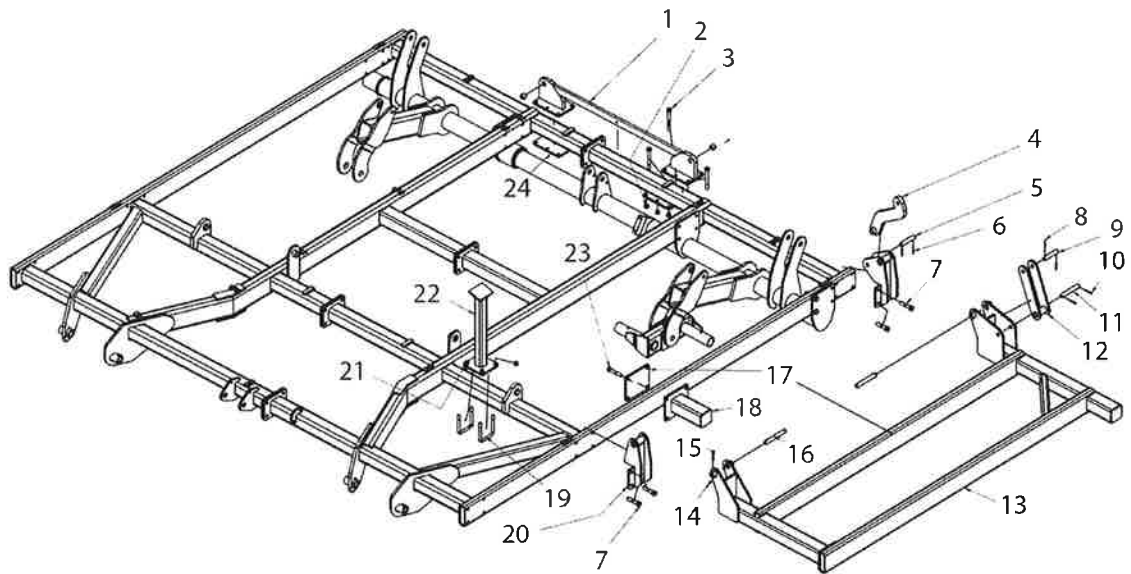
MAIN LIFT

Item	Part Number	Qty	Description
1	248409	2	BEARING WELD
2	88953	4	BLT HEX 3/4-10NC X 4-1/2 8YZ
3	351762	4	PLASTIC BEARING
4	351730	1	CP MAIN AXLE - BIG TIRE
5	42484	4	PIN ROLL 1/4 X 2-1/4 Z
6	67854	2	HEADLESS PIN(2) 1-1/4X4-1/2
7	89343	1	BLT HEX 5/8-11NC X 3-1/4 8YZ
8	88369	1	NUT 2POSLK 5/8-11NC 5Z
9	243408	1	3X6X11 LEFT PRSD WALKER
10	89495	4	BLT HEX 3/4-10NC X 3-1/2 8YZ
11	23733	2	2.25IDX3.40 OD TRIPLE LIP SEAL KT
12	16278	2	BEARING BUSHING
13	12103	2	BEARING CONE 1-3/4ID (25580)
14	12104	2	BEARING CUP 3.265OD (25520)
15	42484	4	PIN ROLL 1/4 X 2-1/4 Z
16	67854	2	HEADLESS PIN(2) 1-1/4X4-1/2
17	248393	1	MAIN FRAME MAST TUBE
18	243409	1	3X6X11 RIGHT PRSD WALKER
19	14131	4	HUB & 2 IN SPINDLE ASSY

**WING FRAME - 3 FOOT**

---

8477236-1



3FT WING

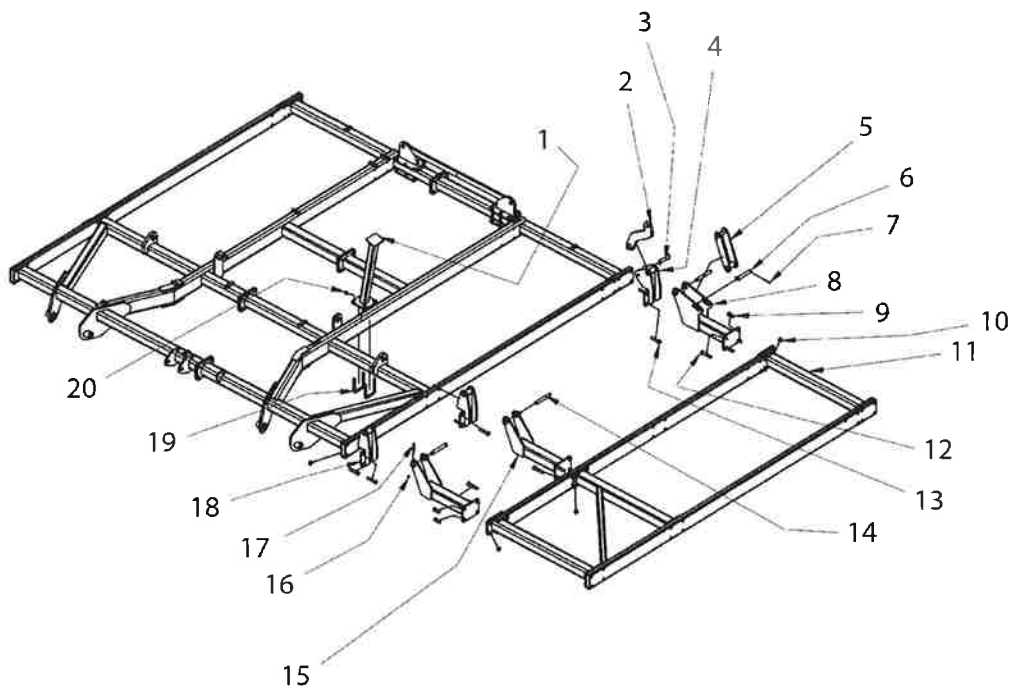
Item	Part Number	Qty	Description
1	352344	1	SMALL CP WING CYL ANCHOR
2	88369	7	NUT 2POSLK 5/8-11NC 5Z
3	88295	3	BLT HEX 5/8-11NC X 6 5Z
4	350554	1	13FT CENTER CYLINDER ANCHOR
5	222338	2	HEADLESS PIN(2) 1X4-1/8
6	42484	6	PIN ROLL 1/4 X 2-1/4 Z
7	89495	12	BLT HEX 3/4-10NC X 3-1/2 8YZ
8	42484	6	PIN ROLL 1/4 X 2-1/4 Z
9	222338	2	HEADLESS PIN(2) 1X4-1/8
10	42484	6	PIN ROLL 1/4 X 2-1/4 Z
11	68033	1	HEADLESS PIN(2) 1X6.38
12	350562	1	WING FOLD LINK
13	350564	1	OUTER 3FT CP WING - LEFT (SHOWN)
	350549	1	OUTER 3FT CP WING - RIGHT
14	88162	1	NUT 2POSLK 3/8-16NC 5
15	89012	1	BLT HEX 3/8-16NC X 2-1/2 5Z
16	69826	2	HEADLESS PIN(1) 1X7-1/4
17	233232	1	STUB PLATE PAINTED
18	222193	1	CP SHANK STUB
19	45633	2	BLT-U 5/8-11NC X 4 X 5-1/2 Z
20	248451	1	FRONT HINGE MOUNT
21	88369	7	NUT 2POSLK 5/8-11NC 5Z
22	353451	1	WING REST (INNER 3FT WING)
23	88272	1	BLT HEX 3/4-10NC X 4 5Z
24	353422	2	MF CYL ANCHOR BACKING PLATE



**WING FRAME - 6 FOOT**

---

8477238-1



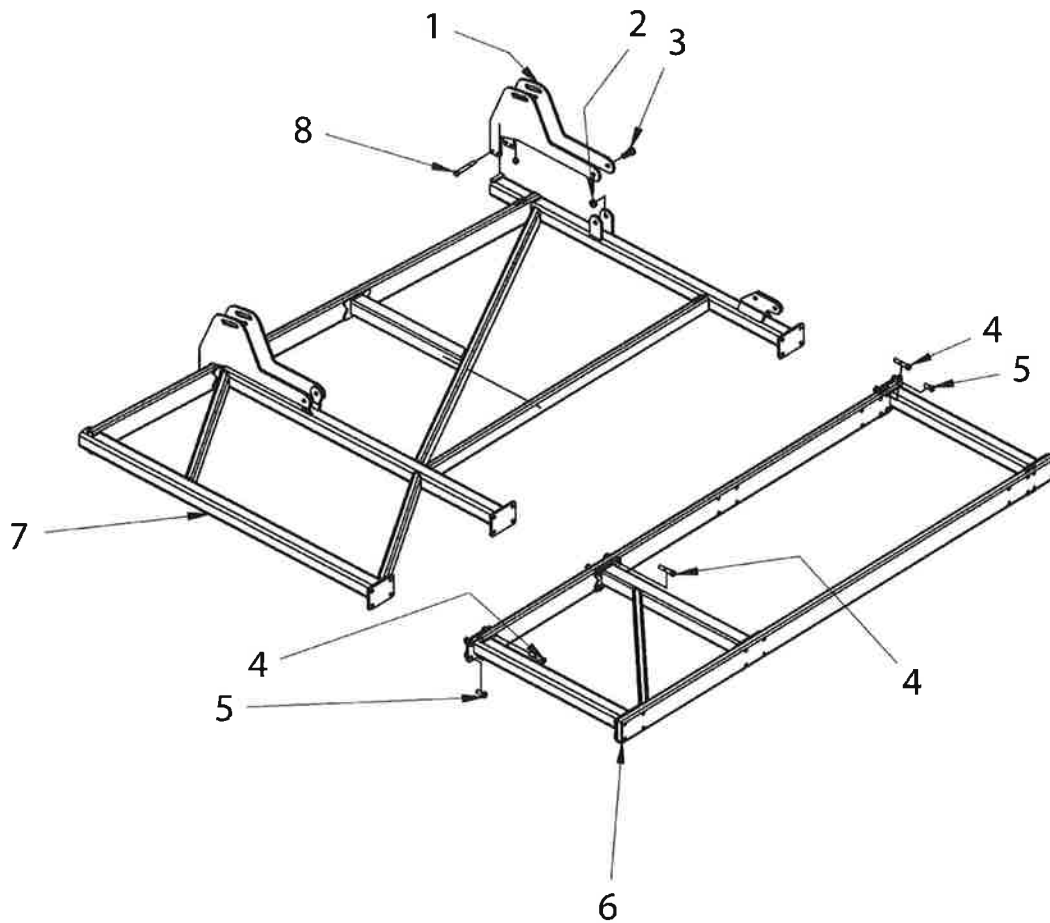
6FT WING

Item	Part Number	Qty	Description
1	353453	1	WING REST (6FT WING)
2	350554	1	OUTER WING FOLD LINK
3	222338	2	HEADLESS PIN(2) 1X4-1/8
4	354807	1	REAR WING HINGE - LONG
5	350562	1	WING FOLD LINK
6	68033	1	HEADLESS PIN(2) 1X6.38
7	42484	6	PIN ROLL 1/4 X 2-1/4 Z
8	352332	1	REAR 6FT WING HINGE
9	88390	4	PIN ROLL 3/8DIA X 1-1/2
10	88356	15	NUT 2POSLK 3/4-10NC 5Z
11	248443	1	WHEEL WELL - CP
12	88475	5	BLT HEX 1/2-13NC X 1-1/2 5Z
13	89495	6	BLT HEX 3/4-10NC X 3-1/2 8YZ
14	69826	3	HEADLESS PIN(1) 1X7-1/4
15	352350	1	MIDDLE 6FT WING HINGE
	352333	1	FRONT 6FT WING HINGE
16	88162	1	NUT 2POSLK 3/8-16NC 5
17	89012	1	BLT HEX 3/8-16NC X 2-1/2 5Z
18	248451	2	FRONT HINGE MOUNT
19	45633	2	BLT-U 5/8-11NC X 4 X 5-1/2 Z
20	88369	7	NUT 2POSLK 5/8-11NC 5Z

**WING FRAME - 9 AND 12 FOOT**

---

8477241-1



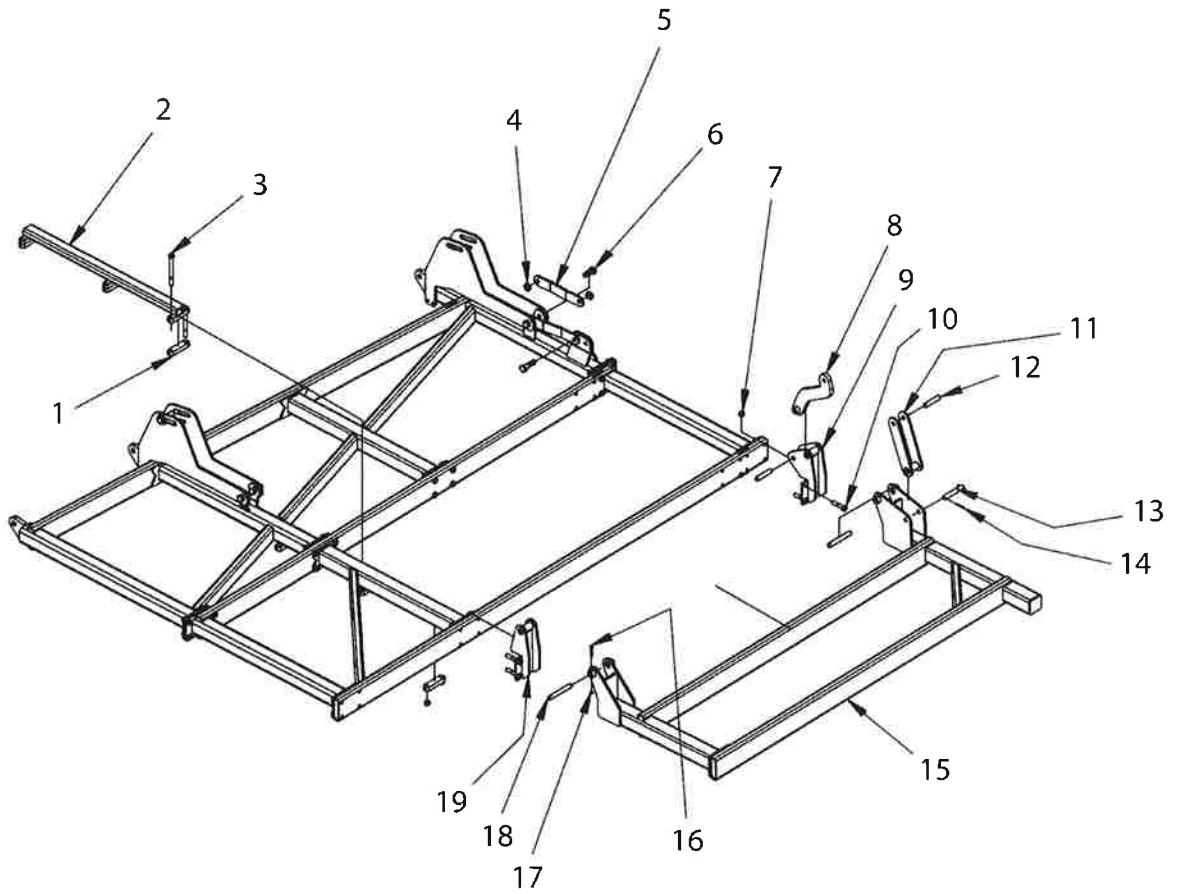
9FT/12FT WING

Item	Part Number	Qty	Description
1	350540	2	WING FOLD BRACKET
2	88348	1	NUT 2POSLK 1-8NC 5Z
3	88393	1	BLT HEX 1-8NC X 2-1/2 5Z
4	88275	24	BLT HEX 3/4-10NC X 4 8YZ
5	88290	8	BLT HEX 3/4-10NC X 2 8YZ
6	248443	1	WING WHEEL WELL - CP
7	248430	1	LEFT 12FT INNER WING (SHOWN)
	248438	1	RIGHT 12FT INNER WING
	248380	1	RH INNER 9FT CP WING
	248446	1	LH INNER 9FT CP WING
8	88290	1	BLT HEX 3/4-10NC X 2 8YZ

**OUTER WING**

---

8477272-1



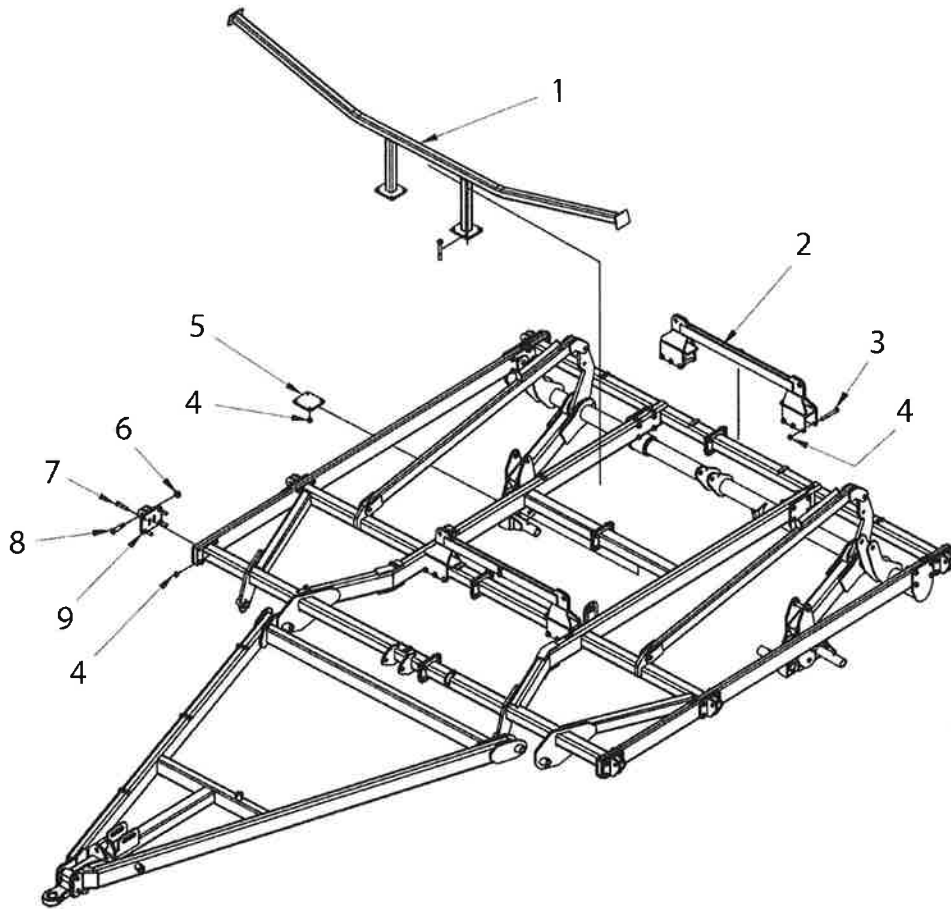
OUTER WING

Item	Part Number	Qty	Description
1	352367	6	MOUNT PLATE - PAINTED
2	352366	1	FRAME BRACE TUBE
3	89408	2	BLT HEX 3/4-NC X 8 8YZ
4	88348	6	NUT 2POSLK 1-8NC 5Z
5	351765	2	WING LINK - 9FT WING (SHOWN)
	350576	2	WING TIE STRAP - 12FT WING
6	88393	4	BLT HEX 3/4-10NC X 2 8YZ
7	88356	26	NUT 2POSLK 3/4-10NC 5Z
8	350544	1	13FT CENTER CYLINDER ANCHOR
9	350552	1	OUTER REAR WING HINGE
10	89495	6	BLT HEX 3/4-10NC X 3-1/2 8YZ
11	350562	1	WING FOLD LINK
12	222338	2	HEADLESS PIN(2) 1X4-1/8
13	68033	1	HEADLESS PIN(2) 1X6.38
14	42484	2	PIN ROLL 1/4 X 2-1/4 Z
15	350564	1	OUTER 3FT CP WING - LEFT (SHOWN)
	350549	1	OUTER 3FT CP WING - RIGHT
16	89012	1	BLT HEX 3/8-16NC X 2-1/2 5Z
17	88162	1	NUT 2POSLK 3/8-16NC 5
18	69826	2	HEADLESS PIN(1) 1X7-1/4
19	248451	1	FRONT HINGE MOUNT

**WING FOLD - 9 AND 12 FOOT**

---

8477240-1



WING FOLD - 9FT/12FT WING

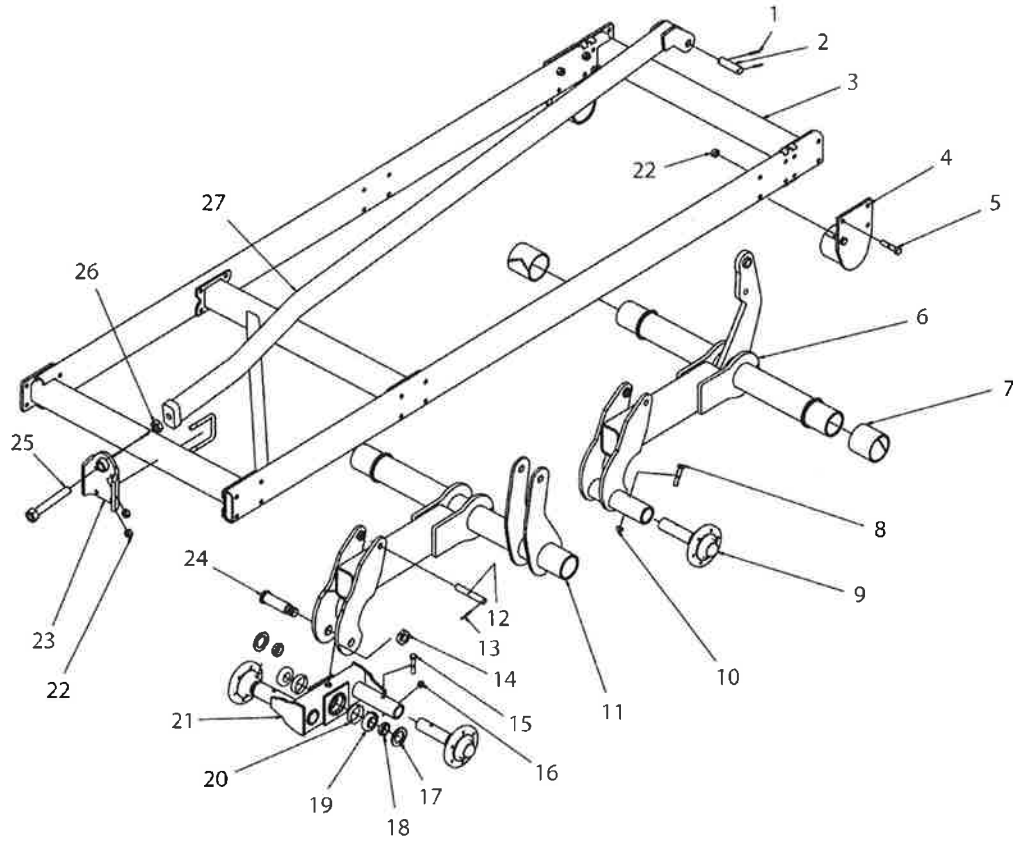
Item	Part Number	Qty	Description
1	352286	1	CP WING REST
2	350544	2	13FT CENTER CYLINDER ANCHOR
3	88947	12	BLT HEX 3/4-10NC X 6 8YZ
4	88356	24	NUT 2POSLK 3/4-10NC 5Z
5	233234	1	MOUNT PLATE PAINTED (221911)
6	88348	1	NUT 2POSLK 1-8NC 5Z
7	89495	1	BLT HEX 3/4-10NC X 3-1/2 8YZ
8	88580	1	BLT HEX 1-8NC X 4-1/2 5Z
9	245425	6	PLATE



**WING LIFT**

---

8477258-1



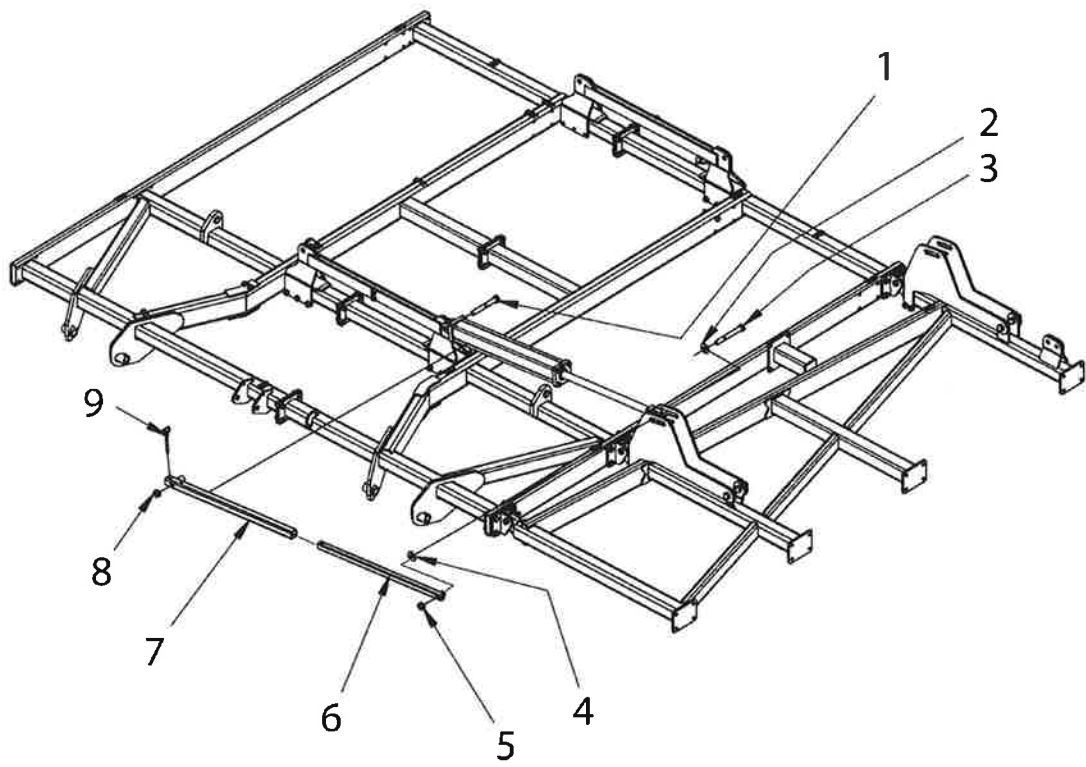
## WING LIFT

Item	Part Number	Qty	Description
1	42484	3	PIN ROLL 1/4 X 2-1/4 Z
2	67854	1	HEADLESS PIN(2) 1-1/4X4-1/2
3	248443	1	WHEEL WELL - CP
4	248409	4	BEARING WELD
5	89495	4	BLT HEX 3/4-10NC X 3-1/2 8YZ
6	352336	1	WING AXLE - LEFT SINGLE (BIG TIRE) (SHOWN)
	352341	1	WING AXLE - RIGHT SINGLE (BIG TIRE)
7	351762	2	PLASTIC BEARING
8	89343	2	BLT HEX 5/8-11NC X 3-1/4 8YZ
9	14131	4	HUB & 2 IN SPINDLE ASSY
10	88369	2	NUT 2POSLK 5/8-11NC 5Z
11	351729	1	CP WING AXLE - LEFT (BIG TIRE) (SHOWN)
	351731	1	CP WING AXLE - RIGHT (BIG TIRE)
12	68033	1	HEADLESS PIN(2) 1X6.38
13	42484	3	PIN ROLL 1/4 X 2-1/4 Z
14	42082	1	NUT 1-1/2NF HYDRA JAM LOCK
15	89343	2	BLT HEX 5/8-11NC X 3-1/4 8YZ
16	88369	2	NUT 2POSLK 5/8-11NC 5Z
17	23733	2	2.25IDX3.40 OD TRIPLE LIP SEAL KT
18	16278	2	BEARING BUSHING
19	12103	2	BEARING CONE 1-3/4ID (25580)
20	12104	2	BEARING CUP 3.265OD (25520)
21	351735	1	LEFT 3 X 11 HD WALKING TANDEM (SHOWN)
	351736	1	RIGHT 3 X 11 HD WALKING TANDEM
22	88356	7	NUT 2POSLK 3/4-10NC 5Z
23	350500	1	WING MAST ANCHOR
24	16277	1	TANDEM SHAFT
25	69799	1	ADJUSTER ROD (9.5)
26	88622	1	NUT JAM 1-1/4-7NC 5Z
27	352358	1	LH WING MAST TUBE
	248426	1	RH WING MAST TUBE

**WING LOCK**

---

8477268-1



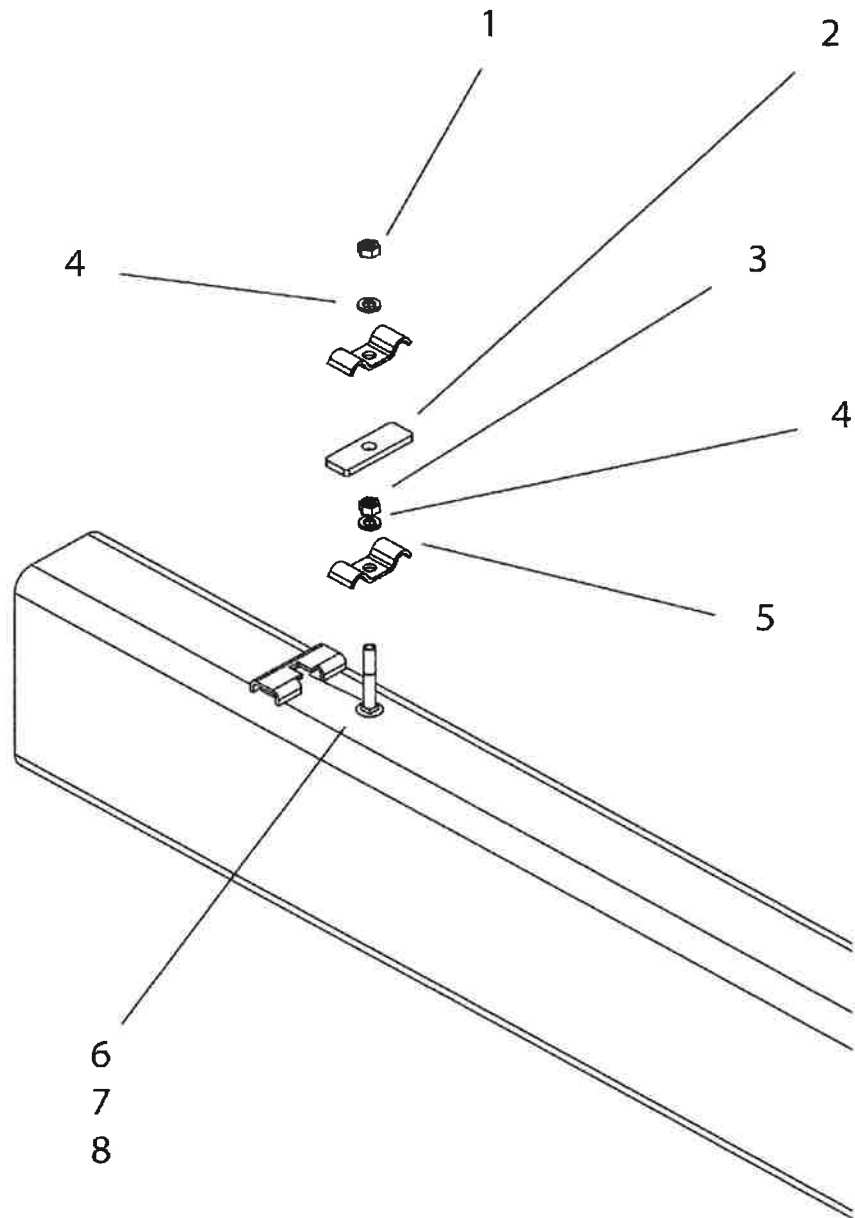
## WING LOCK

Item	Part Number	Qty	Description
1	88667	1	BLT HEX 1-8NC X 8 5Z
2	88196	2	WSHR FLAT 1(1-1/16 X 2-1/2ACT) Z
3	89373	1	BLT HEX 1-8NC X 8-1/2 8YZ
4	88196	2	WSHR FLAT 1(1-1/16 X 2-1/2ACT) Z
5	88348	4	NUT 2POSLK 1-8NC 5Z
6	354578	1	ROD END CP WING LOCK
7	354577	1	BASE END CP WING LOCK
8	88348	4	NUT 2POSLK 1-8NC 5Z
9	243498	1	5/8X5 HITCH PIN W/HAIRPIN

# HOSE CLAMP

---

8477099-01-01

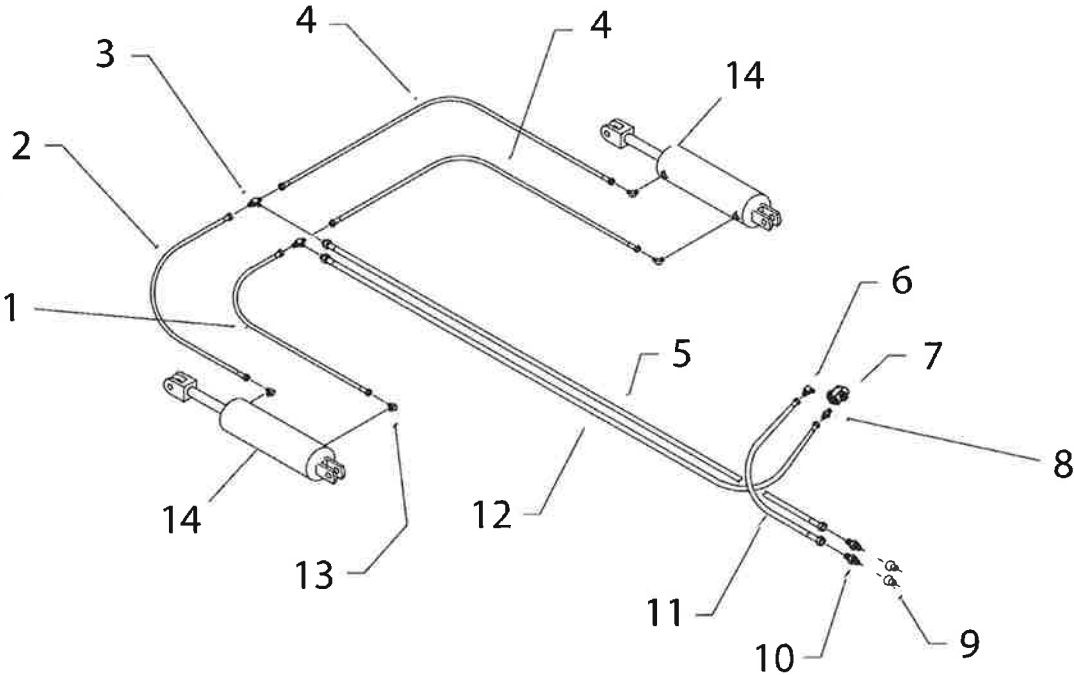


HOSE CLAMP

Item	Part Number	Qty	Description
1	88103	1	NUT HEX 3/8-16NC 5Z
2	15543	1	BASE PLATE - ZINC
3	88103	1	NUT HEX 3/8-16NC 5Z
4	88362	2	WSHR HLK 3/8ID Z
5	13215	2	CLAMP, TUBE
6	89375	1	BLT CRG 3/8-16NC X 1-1/2 5Z
7	89473	1	BLT CRG 3/8-16NC X 2-1/2 5Z
8	89475	1	BLT CRG 3/8-16NCX3-1/2 5Z

LIFT HYDRAULICS - 1 SECTION MODEL

8477263-1



## LIFT HYDRAULICS - 13FT-23FT

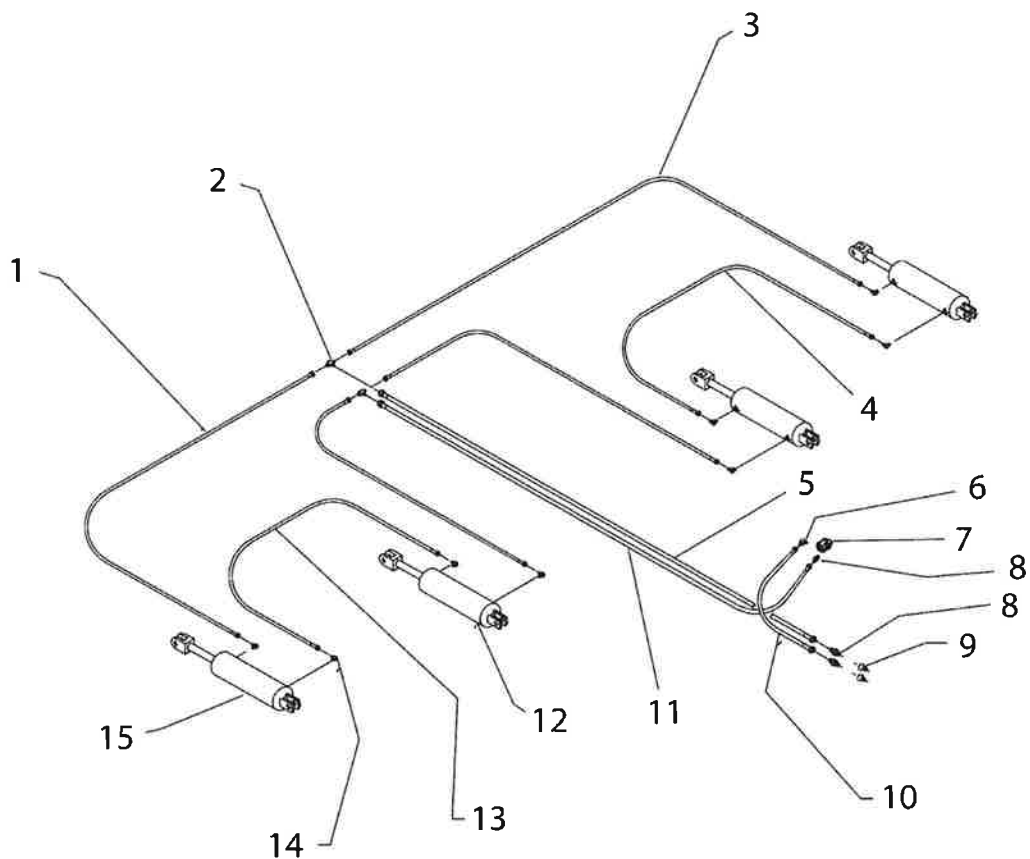
Item	Part Number	Qty	Description
1	25602	1	HSE 3KPSI 3/8X65 8FJX-8FJX
2	13265	1	HSE 3KPSI 3/8X56 8FJX-8FJX
3	13238	2	TEE 8MJ X 8MJ X 8MJ
4	13482	2	HSE 3KPSI 3/8X108 8FJX-8FJX
5	241494	1	HSE 3KPSI 1/2X276 8FJX-8FJX
6	25580	1	ELB 8MORB X 8MJ
7	247429	1	DCV VALVE (8ORB)
8	24024	1	ADP 8MORB X 8MJ
9	247425	2	QUICK COUPLER 8 ORB
10	24024	2	ADP 8MORB X 8MJ
11	240611	1	HSE 3KPSI 3/8X360 8FJX-8JFX
12	208612	1	HSE 3KPSI 1/2X204 8FJX-8FJX
13	25580	4	ELB 8MORB X 8MJ
14	351601	2	4-1/2X10 PHASING CYLINDER
	354585	x	SEAL KT 4.5X10



LIFT HYDRAULICS - 3 SECTION MODEL

---

8477273-1



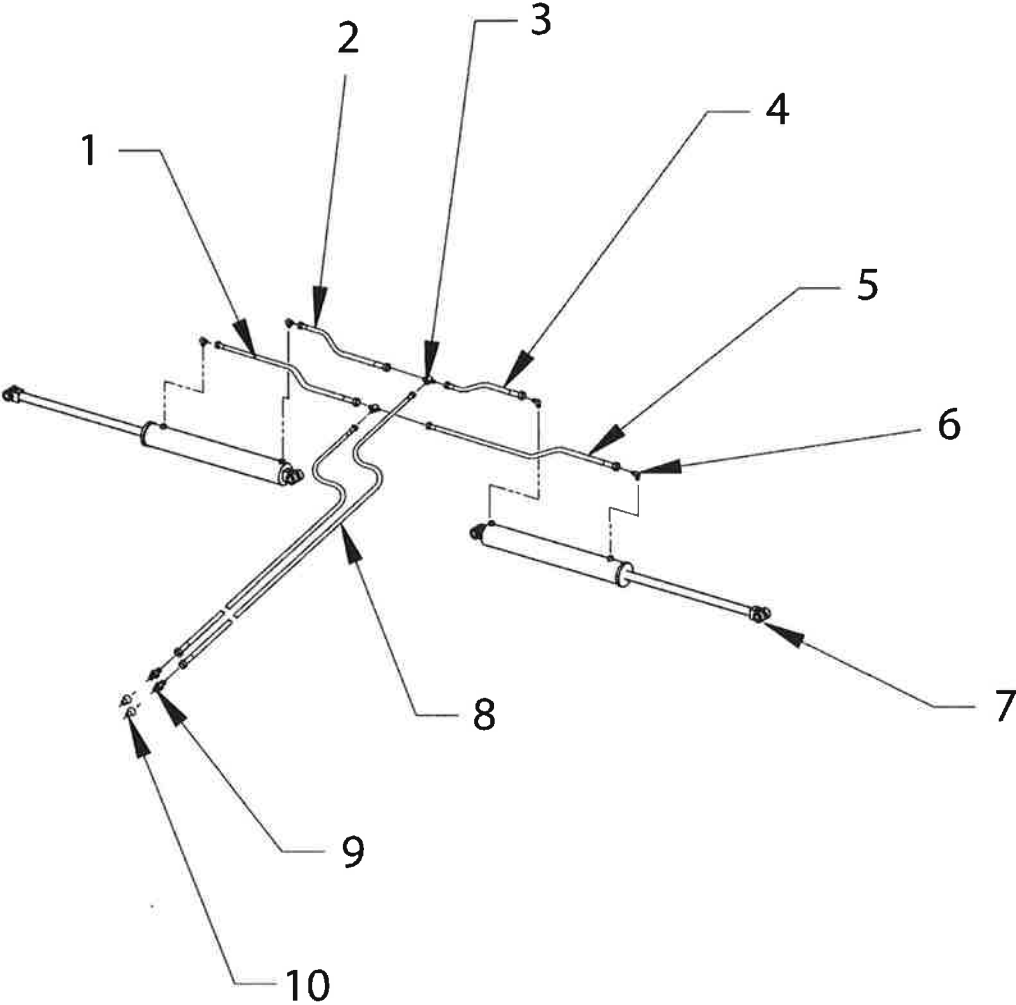
LIFT HYDRAULICS - 25FT-47FT

Item	Part Number	Qty	Description
1	67634	1	HSE 3KPSI 3/8X132 8FJX-8FJX - 6ft wing
	13484	1	HSE 3KPSI 3/8X156 8FJX-8FJX - 9ft wing
	237155	1	HSE 3KPSI 3/8X244 8FJX-8FJX - 12ft wing
2	13238	2	TEE 8MJ X 8MJ X 8MJ
3	59909	1	HSE 3KPSI 3/8X168 8FJX-8FJX - 6ft wing
	234947	1	HSE 3KPSI 3/8X194 8FJX-8FJX - 9ft wing
	247431	1	HSE 3KPSI 3/8X232 8FJX-8FJX - 12ft wing
4	67634	1	HSE 3KPSI 3/8X132 8FJX-8FJX - 6ft wing
	13484	1	HSE 3KPSI 3/8X156 8FJX-8FJX - 9ft wing
	234947	1	HSE 3KPSI 3/8X194 8FJX-8FJX - 12ft wing
5	241494	1	HSE 3KPSI 1/2X276 8FJX-8FJX
6	25580	1	ELB 8MORB X 8MJ
7	247429	1	DCV VALVE (8ORB)
8	24024	3	ADP 8MORB X 8MJ
9	247425	2	QUICK COUPLER 8 ORB
10	240611	1	HSE 3KPSI 3/8X360 8FJX-8FJX
11	208612	1	HSE 3KPSI 1/2X204 8FJX-8FJX
12	351601	2	4-1/2X10 PHASING CYLINDER
	354585	x	SEAL KT 4.5X10
13	67634	1	HSE 3KPSI 3/8X132 8FJX-8FJX - 6ft wing
	13484	1	HSE 3KPSI 3/8X156 8FJX-8FJX - 9ft wing
	234947	1	HSE 3KPSI 3/8X194 8FJX-8FJX - 12ft wing
14	25580	8	ELB 8MORB X 8MJ
15	351602	2	4X10 PHASING CYLINDER
	354586	x	SEAL KT 4X10

**FOLDING HYDRAULICS - 6 FOOT WINGS**

---

8477264-1



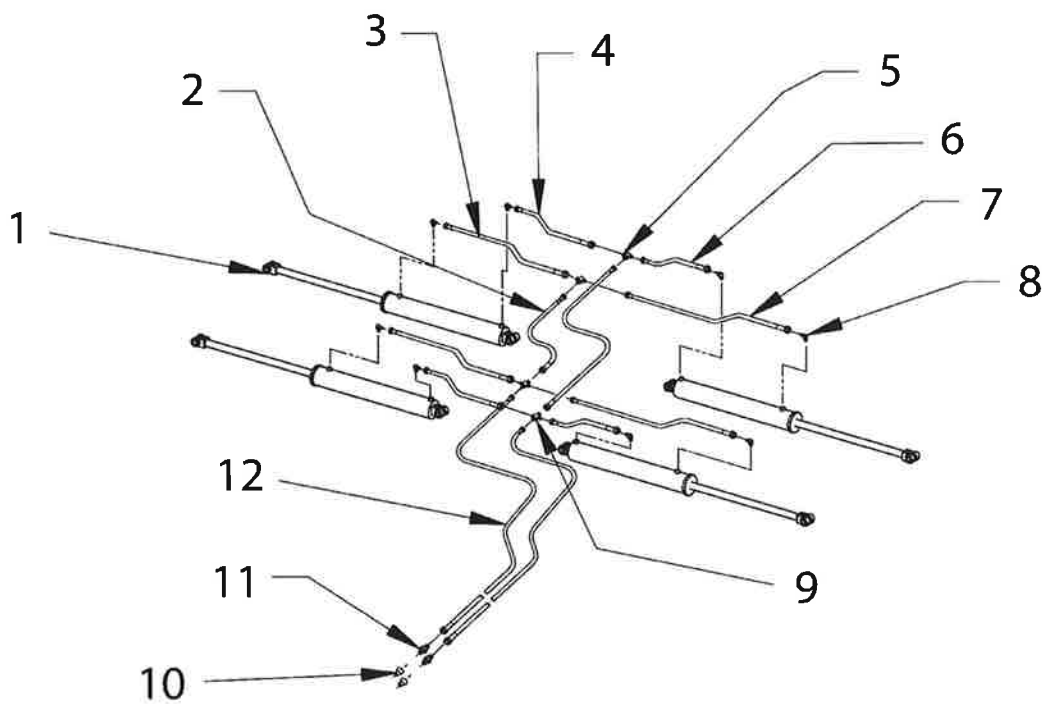
FOLD HYDRAULICS - 6FT WINGS

Item	Part Number	Qty	Description
1	25597	1	HSE 3KPSI 3/8X40 8FJX-8FJX
2	13423	1	HSE 3KPSI 3/8X24 8FJX-8FJX
3	13238	2	TEE 8MJ X 8MJ X 8MJ
4	13265	1	HSE 3KPSI 3/8X56 8FJX-8FJX
5	56540	1	HSE 3KPSI 3/8X89 8FJX-8FJX
6	25580	4	ELB 8MORB X 8MJ
7	247830	2	4X24 TIE ROD CYLINDER (PRINCE)
	222038	x	PMCK-SAE-34000 SEAL KIT(69092)
8	240611	2	HSE 3KPSI 3/8X360 8FJX-8JFX
9	24024	2	ADP 8MORB X 8MJ
10	247425	2	QUICK COUPLER 8 ORB

**FOLDING HYDRAULICS - 9 AND 12 FOOT WINGS**

---

8477265-1



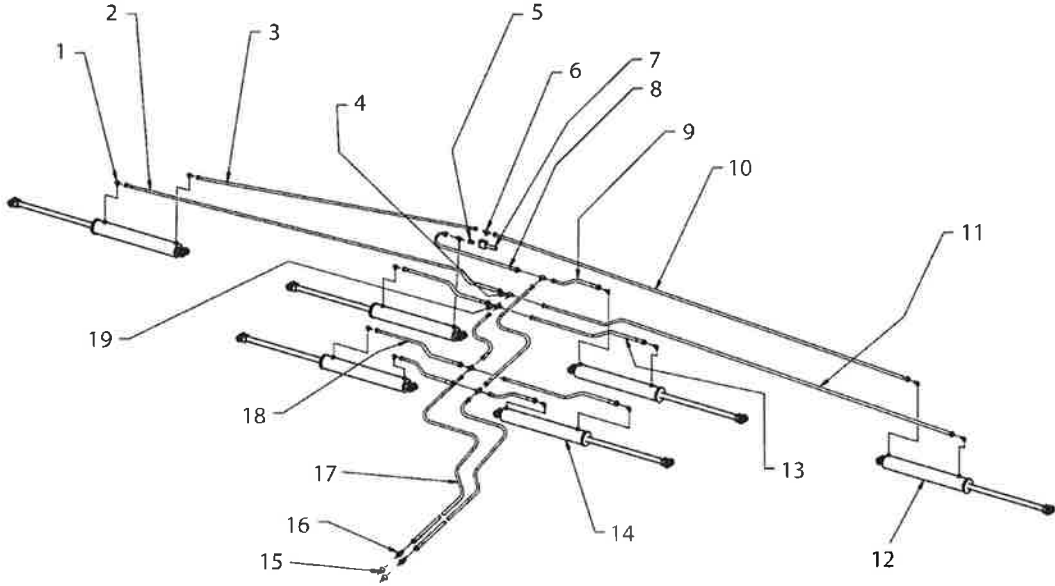
FOLD HYDRAULICS - 9FT/12FT WINGS

Item	Part Number	Qty	Description
1	247831	4	4X30 TIE ROD CYLINDER (PRINCE)
	222038	x	PMCK-SAE-34000 SEAL KIT(69092)
2	13580	2	HSE 3KPSI 3/8X96 8FJX-8MJ
3	56539	1	HSE 3KPSI 3/8X50 8FJX-8FJX
4	14850	1	HSE 3KPSI 3/8X18 8FJX-8FJX
5	13238	2	TEE 8MJ X 8MJ X 8MJ
6	15515	1	HSE 3KPSI 3/8X62 8FJX-8FJX
7	56540	1	HSE 3KPSI 3/8X89 8FJX-8FJX
8	25580	8	ELB 8MORB X 8MJ
9	15910	2	CROSS 8MJ X 8MJ X 8MJ X 8MJ
10	247425	2	QUICK COUPLER 8 ORB
11	24024	2	ADP 8MORB X 8MJ
12	247428	2	HSE 3KPSI 3/8X264 8FJX-8FJX

**FOLDING HYDRAULICS - OUTER WINGS**

---

8477266-1



FOLD HYDRAULICS - OUTER WINGS

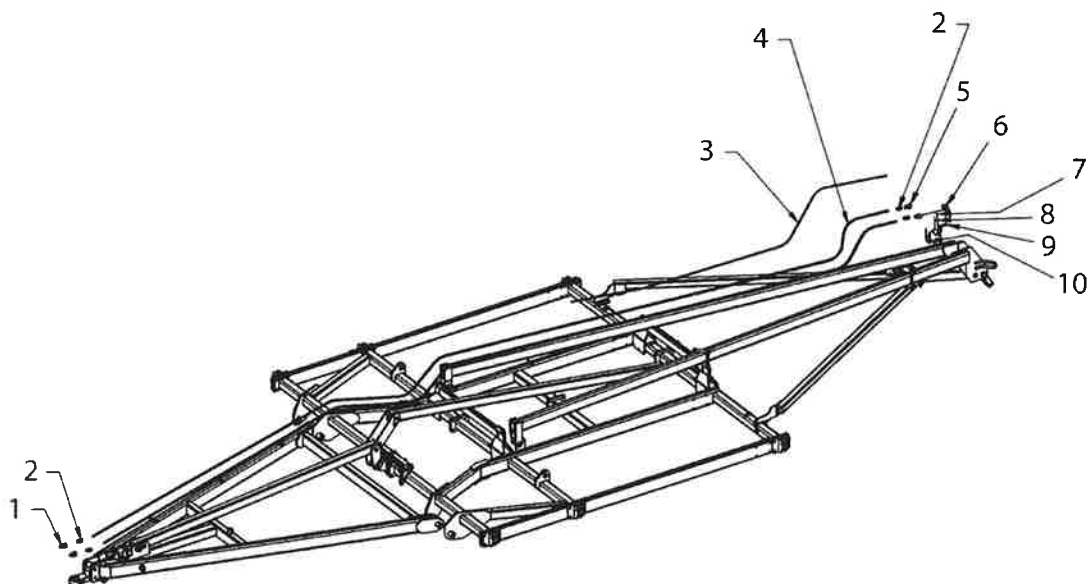
Item	Part Number	Qty	Description
1	25580	12	ELB 8MORB X 8MJ
2	13484	1	HSE 3KPSI 3/8X156 8FJX-8FJX - 9ft wing
	233689	1	HSE 3KPSI 3/8X180 8FJX-8FJX - 12ft wing
3	13483	1	HSE 3KPSI 3/8X120 8FJX-8FJX - 9ft wing
	13484	1	HSE 3KPSI 3/8X156 8FJX-8FJX - 12ft wing
4	69080	2	TEE 8MJ X 8MJ X 8FJX
5	24004	1	ADP 8MORB X 8FJX
6	56534	1	TEE 8MJ X 8MJ X 8MORB
7	65870	1	SEQUENCE VALVE (RV10-28C-8T-N-35/20)
8	13423	1	HSE 3KPSI 3/8X24 8FJX-8FJX
9	15515	1	HSE 3KPSI 3/8X62 8FJX-8FJX
10	233689	1	HSE 3KPSI 3/8X180 8FJX-8FJX - 9ft wing
	238204	1	HSE 3KPSI 3/8X210 8FJX-8FJX - 12ft wing
11	238204	1	HSE 3KPSI 3/8X210 8FJX-8FJX - 9ft wing
	237155	1	HSE 3KPSI 3/8X244 8FJX-8FJX - 12ft wing
12	247830	2	4X24 TIE ROD CYLINDER (PRINCE)
	222038	x	PMCK-SAE-34000 SEAL KIT(69092)
13	56540	1	HSE 3KPSI 3/8X89 8FJX-8FJX
14	247831	4	4X30 TIE ROD CYLINDER (PRINCE)
	222038	x	PMCK-SAE-34000 SEAL KIT(69092)
15	247425	2	QUICK COUPLER 8 ORB
16	24024	2	ADP 8MORB X 8MJ
17	247428	2	HSE 3KPSI 3/8X264 8FJX-8FJX
18	56539	2	HSE 3KPSI 3/8X50 8FJX-8FJX
19	15910	2	CROSS 8MJ X 8MJ X 8MJ X 8MJ



# HITCH HYDRAULICS - REAR

---

8477269-1



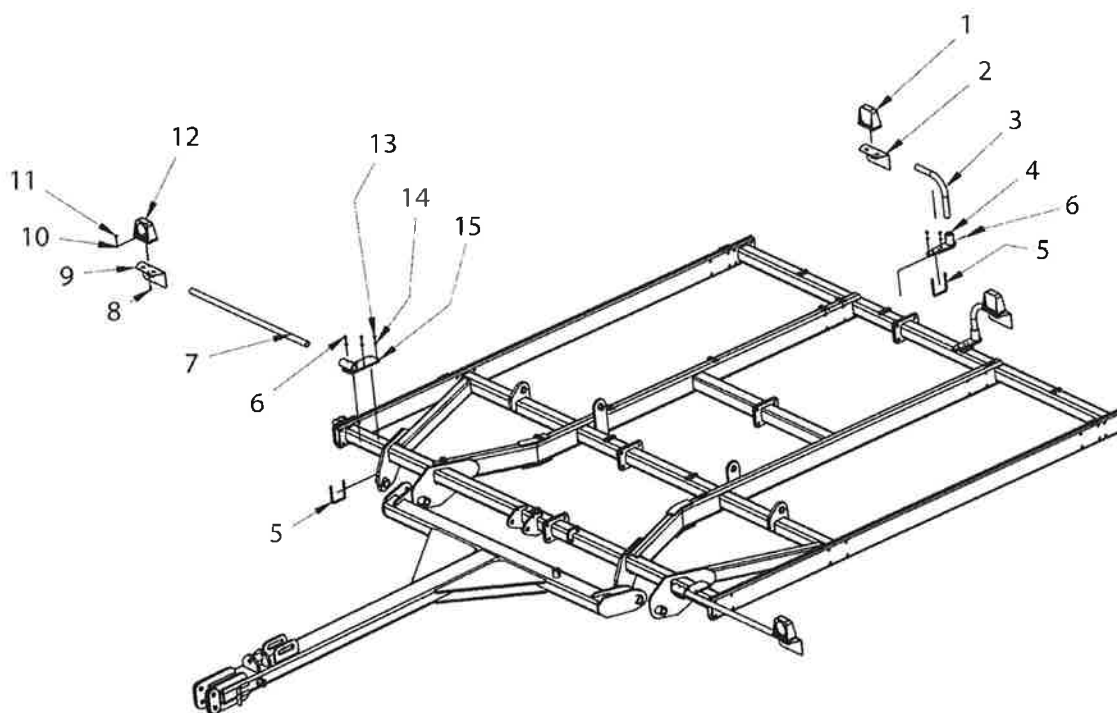
HITCH HYDRAULICS/HARNESS - REAR

Item	Part Number	Qty	Description
1	60640	2	QUICK DISCONNECT COUPLER
2	13234	2	ADP 8MJ X 8MPT
3	236099	1	LIGHT KT EXT.
4	238618	2	HSE 3KPSI 3/8X420 8FJX-8FJX
5	236170	2	DOUBLE ACTING FEMALE CPLR (4250-4P)
6	236169	1	DOUBLE BREAK-AWAY CLAMP (5006-4)
7	88103	1	NUT HEX 3/8-16NC 5Z
8	88362	1	WSHR HLK 3/8ID Z
9	238780	1	QUICK COUPLER MOUNT PLATE
10	89347	1	BLT-U 3/8-16NC X 3 X 5 Z

**SAFETY LIGHTS - HARDWARE**

---

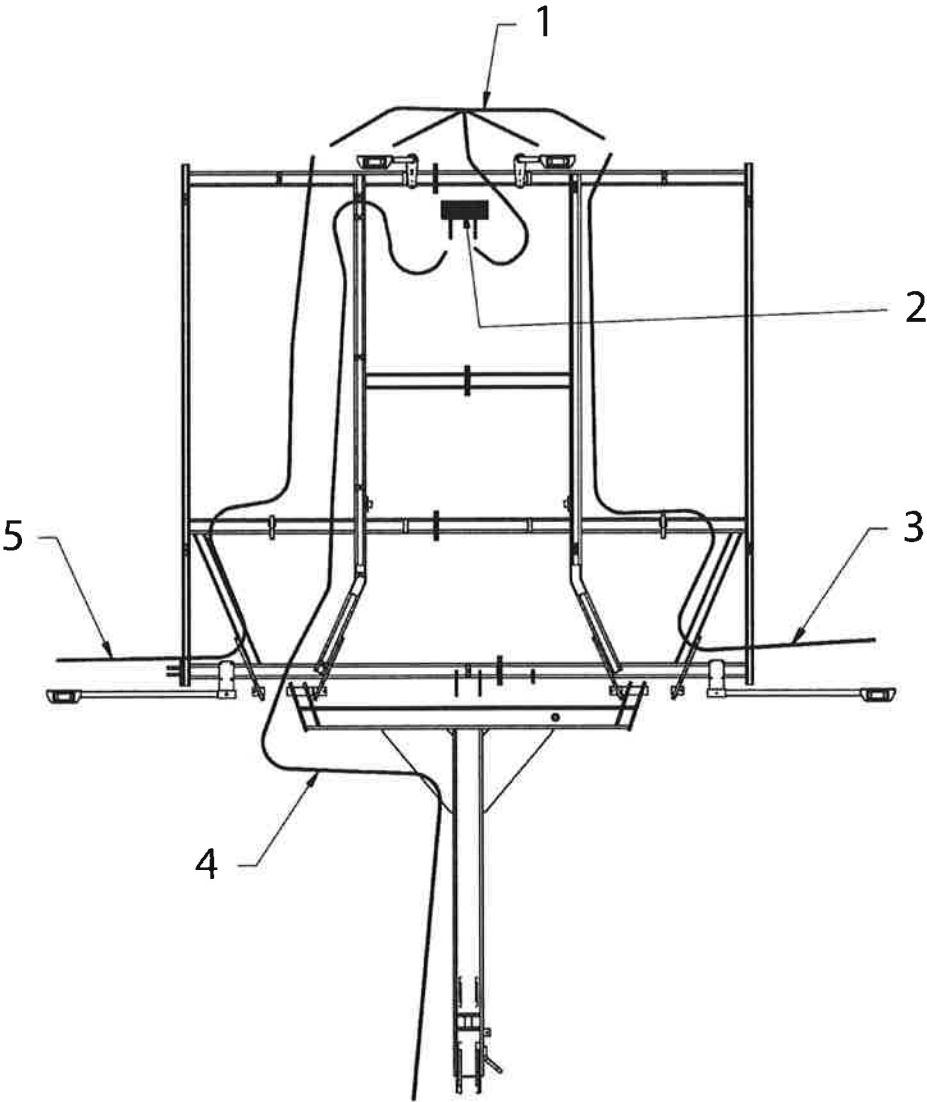
8477261-1



## SAFETY LIGHTS - HARDWARE

Item	Part Number	Qty	Description
1	223144	2	AG LIGHT, SINGLE RED TRI-PLUG
2	223126	4	LIGHT/REFLECTOR BRACKET - W/REFLECTORS
3	223140	2	12 X 12 LIGHT ARM
4	223130	2	SHORT BASE PIVOT
5	88385	6	BLT-U 3/8-16NC X 4 X 5 Z
6	88702	4	SCR SET 3/8NC X 3/4 SQHD CUP-PT Z
7	W108528	2	LIGHT ARM 48IN
8	88203	4	BLT HEX 1/4-20NC X 1 5Z
9	223126	4	LIGHT/REFLECTOR BRACKET - W/REFLECTORS
10	88262	8	WSHR HLK 1/4ID(5/16ACT) Z
11	88172	8	NUT HEX 1/4-20NC 5Z
12	223143	2	AG LIGHT, SINGLE AMBER TRI-PLUG
13	88103	12	NUT HEX 3/8-16NC 5Z
14	88362	12	WSHR HLK 3/8ID Z
15	353989	2	LIGHT TUBE BRACKET (HORIZ)

8477274-1

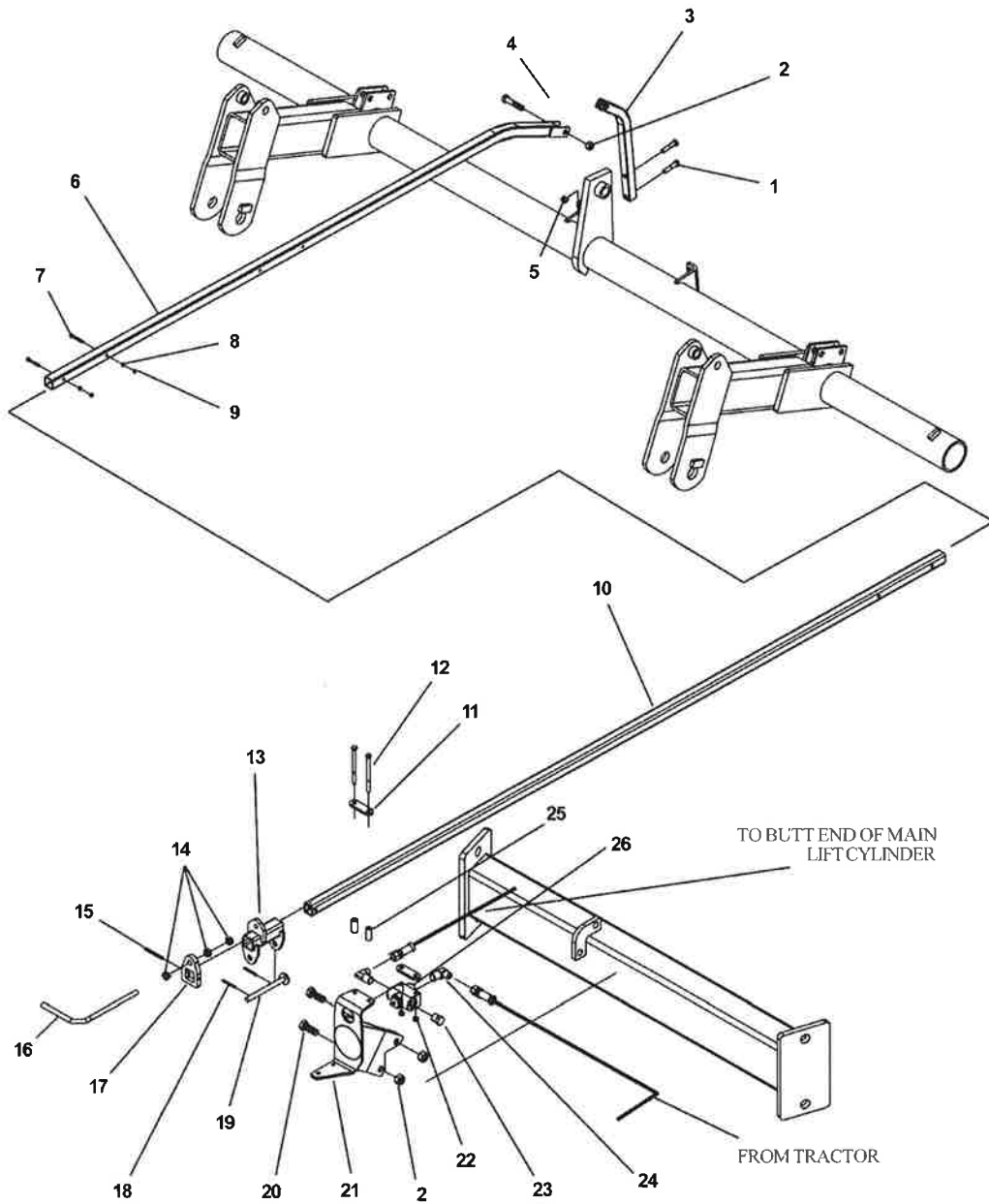


**SAFETY LIGHTS - HARNESS**

<b>Item</b>	<b>Part Number</b>	<b>Qty</b>	<b>Description</b>
1	223146	1	AG WISHBONE, 4 LEAD
2	223145	1	AG MODULE ASSY
3	223147	2	AG HARNESS, 10FT EXTENSION
4	64597	1	35FT FLAT WIRE HARNESS
5	223147	2	AG HARNESS, 10FT EXTENSION

**DEPTH CONTROL - SINGLE POINT**

8477253-1



DEPTH CONTROL- SINGLE POINT

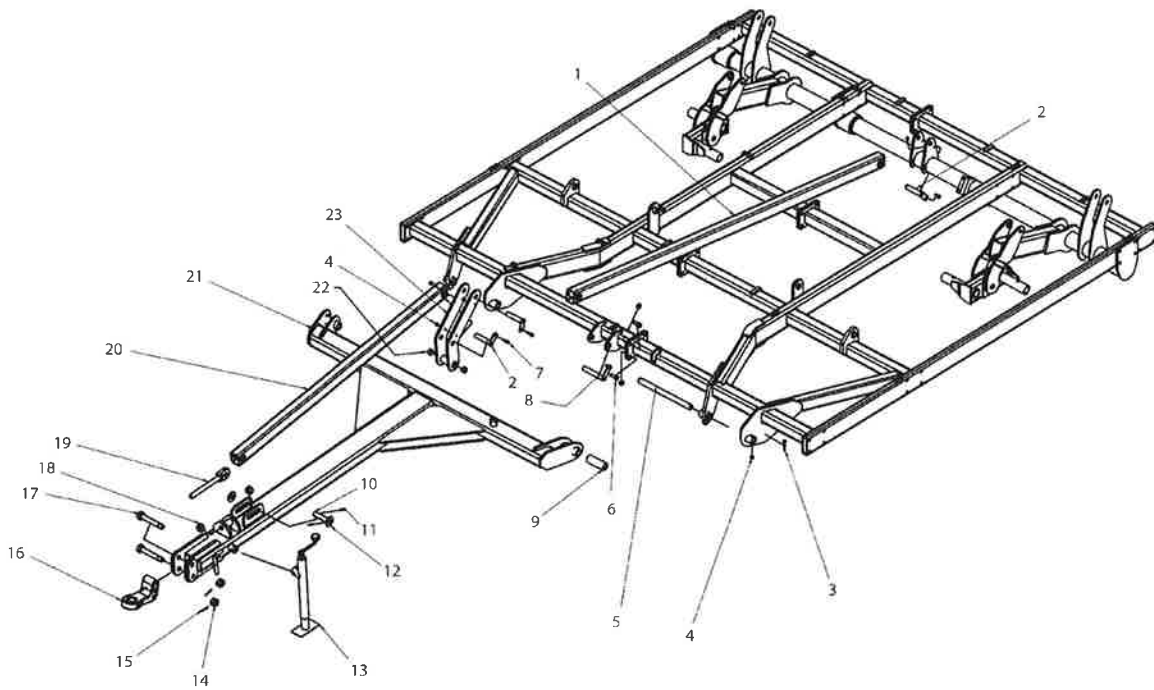
Item	Part Number	Qty	Description
1	88825	2	BLT HEX 1/2-13NC X 2-1/4 5Z
2	88369	3	NUT 2POSLK 5/8-11NC 5Z
3	238652	1	SINGLE POINT TUBE - SHORT
4	88408	1	BLT HEX 5/8-11NC X 3 5Z
5	88363	2	NUT 2POSLK 1/2-13NC 5Z
6	241487	1	BENT TUBE WELD-SINGLE POINT
7	89058	2	BLT HEX 1/4-20NC X 2 5Z
8	88262	2	WSHR HLK 1/4ID(5/16ACT) Z
9	88172	2	NUT HEX 1/4-20NC 5Z
10	241488	1	INNER TUBE-SINGLE POINT
11	238636	2	VALVE SPACER (ZINC)
12	88812	2	BLT HEX 5/16-18NC X 4-1/2 2Z
13	222111	1	SLIDE ADJUST
14	88561	3	NUT JAM 1/2-13NC 5Z
15	88767	1	PIN ROLL 1/4DIA X 2-1/2 Z
16	222182	1	ADJUST CRANK
17	222107	1	ADJUST EAR
18	89078	2	PIN ROLL 3/16 X 1-3/4 Z
19	222180	1	SPRING PIN (ZINC)
20	88838	2	BLT HEX 5/8-11NC X 1-3/4 5Z
21	238638	1	SINGLE POINT BRACKET
22	88540	1	NUT 2POSLK 5/16-18NC 5
23	352529	1	8MORB HEX HEAD PLUG
24	25580	1	ELB 8MORB X 8MJ
25	238637	2	SPACER TUBE (ZINC)
26	247429	1	DCV VALVE (8ORB)
	55836	X	DCV VALVE REPAIR CARTRIDGE



**LEVEL LIFT HITCH - UP TO 29 FOOT**

---

8477255-1



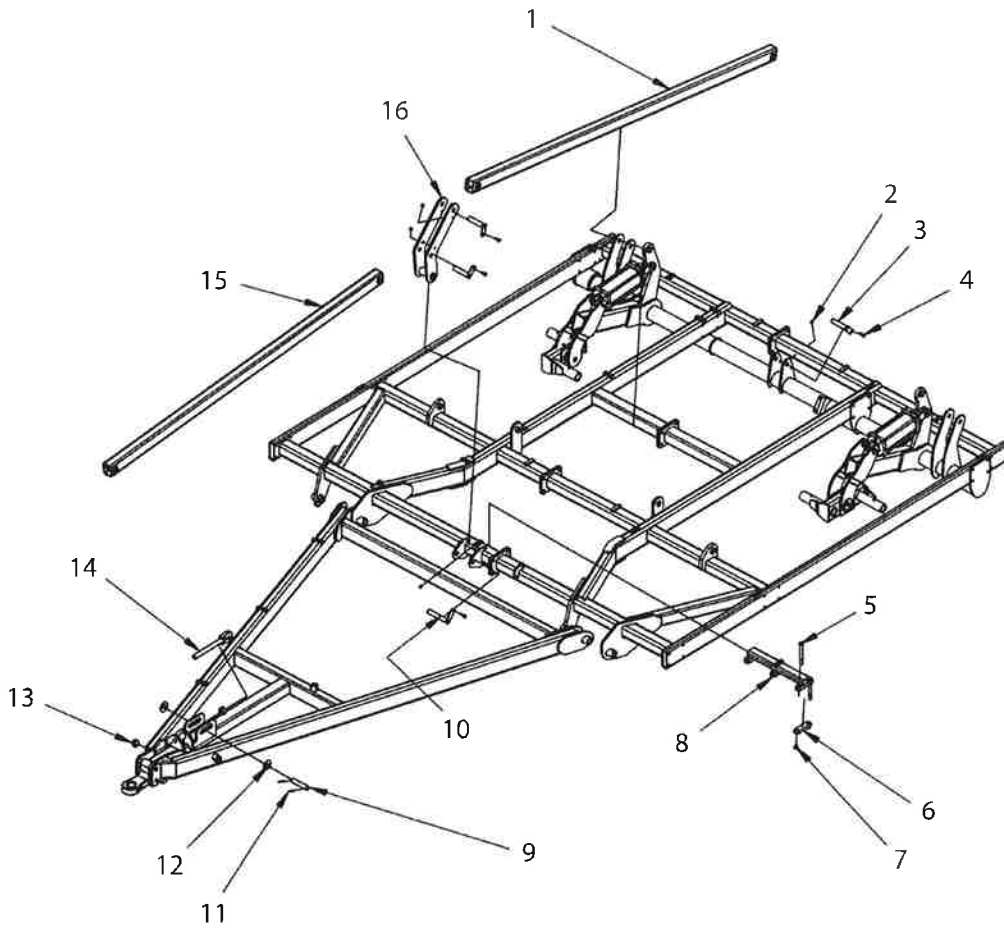
LEVEL LIFT HITCH - UP TO 29FT

Item	Part Number	Qty	Description
1	350506	1	REAR CONTROL TUBE LLH
2	233357	4	LINKAGE PIN 1-1/4X5-3/16
3	88541	1	BLT HEX 1/2-13NC X 3 5Z
4	88363	10	NUT 2POSLK 1/2-13NC 5Z
5	350569	1	PIN (19IN HS) ZINC
6	88290	2	BLT HEX 3/4-10NC X 2 8YZ
7	88475	4	BLT HEX 1/2-13NC X 1-1/2 5Z
8	350573	1	PIVOT PIN (ZINC)
9	353939	1	TUBE
10	68030	1	HEADLESS PIN(2) 1-1/4X6.13
11	42484	2	PIN ROLL 1/4 X 2-1/4 Z
12	88602	2	WSHR FLAT 1-1/4(1-3/8 X 3ACT) Z
13	24415	1	JACK
14	88350	2	NUT SLTD 1-1/4-7NC 5Z
15	88133	2	PIN COT 3/16DIA X 2 Z
16	18236	1	CAST DUAL HITCH
17	246372	2	BLT HEX, 1-1/4 IN NC X 8 IN (1.5 IN ) GR. 5
18	88613	2	NUT HEX 1-1/4-7NC 5Z (425-1020)
19	350515	1	FRONT ADJUST ROD (ZINC)
20	352352	1	SHORT FRONT ADJUST LINK LLH 13/19/25
21	352315	1	13FT CP MAIN HITCH - LIGHT
22	33535	2	SPRING TENSION BUSHING (1-1/4 IN )
23	350737	1	LEVEL LIFT LINK

**LEVEL LIFT HITCH - 31 FOOT AND UP**

---

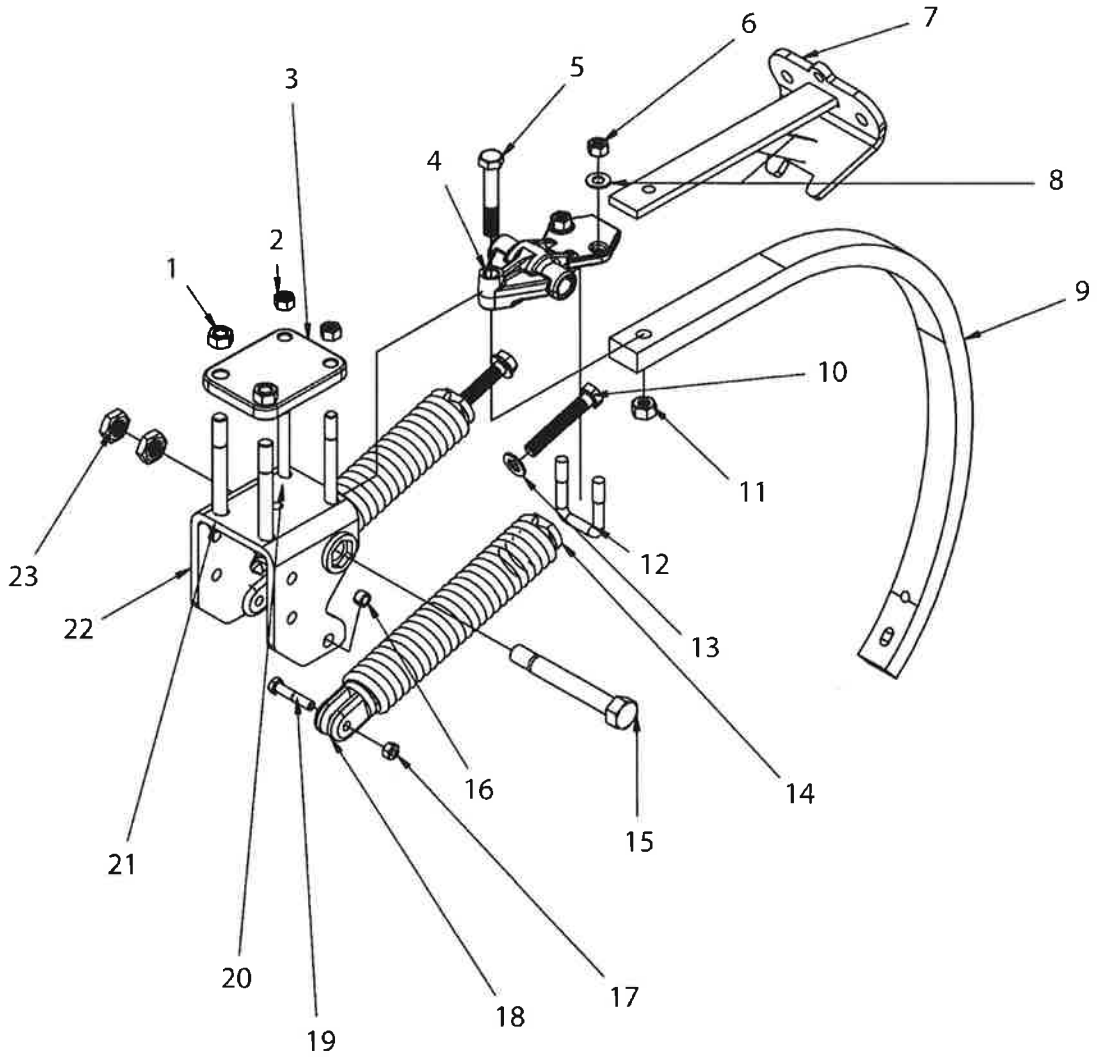
8477254-1



LEVEL LIFT HITCH - 31FT AND UP

Item	Part Number	Qty	Description
1	350506	1	REAR CONTROL TUBE LLH
2	88363	5	NUT 2POSLK 1/2-13NC 5Z
3	233357	3	LINKAGE PIN 1-1/4X5-3/16
4	88475	4	BLT HEX 1/2-13NC X 1-1/2 5Z
5	89409	2	BLT HEX 3/4-NC X 7 8YZ
6	352367	1	MOUNT PLATE - PAINTED
7	88356	2	NUT 2POSLK 3/4-10NC 5Z
8	353447	1	LL FRAME STRAP
9	68030	1	HEADLESS PIN(2) 1-1/4X6.13
10	350573	1	PIVOT PIN (ZINC)
11	42484	2	PIN ROLL 1/4 X 2-1/4 Z
12	88602	2	WSHR FLAT 1-1/4(1-3/8 X 3ACT) Z
13	88613	2	NUT HEX 1-1/4-7NC 5Z (425-1020)
14	350515	1	FRONT ADJUST ROD (ZINC)
15	350511	1	FRONT ADJUST LINK LLH 31/37
16	350737	1	LEVEL LIFT LINK

8477260-1



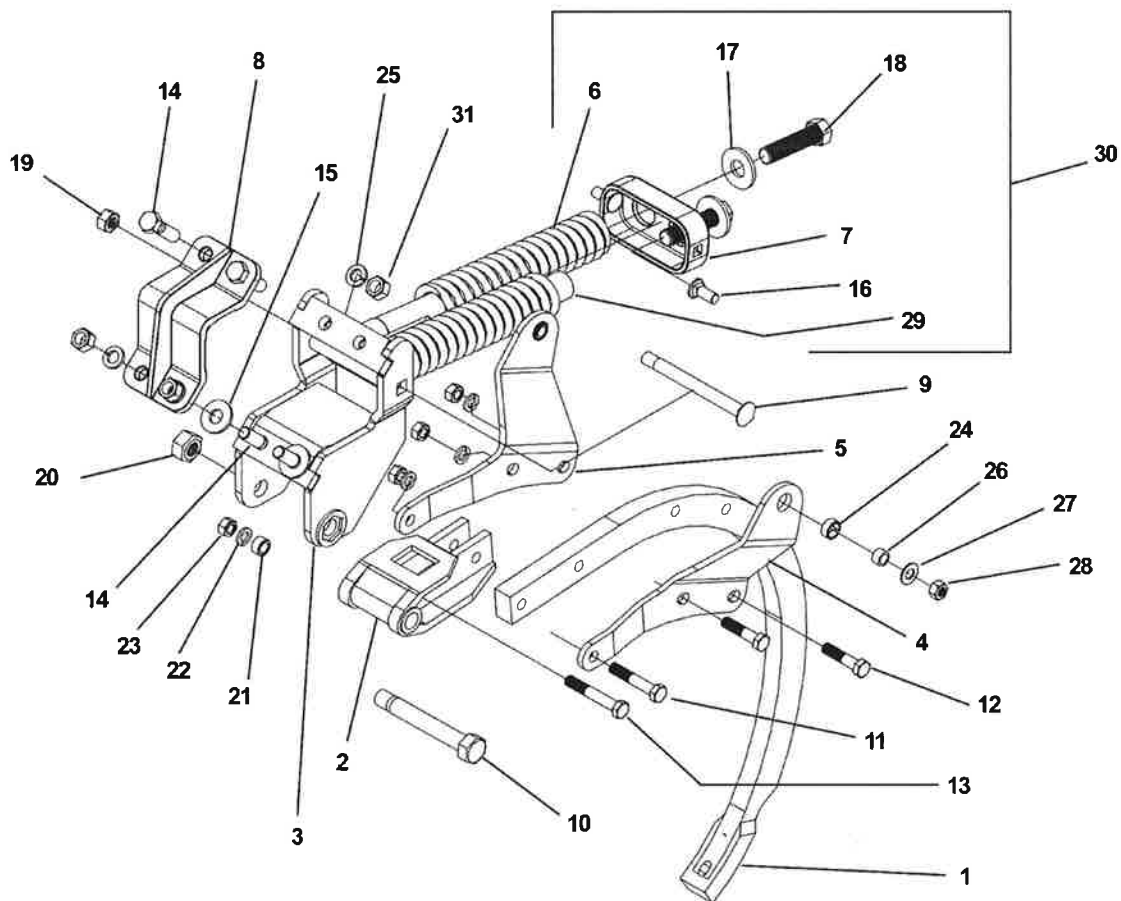
## SHANK - 650LB

Item	Part Number	Qty	Description
1	89386	2	NUT NYL 3/4-16NF 8YZ
2	88369	2	NUT 2POSLK 5/8-11NC 5Z
3	234084	1	CAST TOP PLATE (GRAY)
4	351558	1	DUCTILE PIVOT (GRAY)
5	88421	1	BLT HEX 3/4-10NC X 4-1/2 5Z
6	88369	2	NUT 2POSLK 5/8-11NC 5Z
7	351557	1	SHANK SPRING BRACKET (GRAY)
8	88630	2	WSHR FLT 5/8SAE(21/32 X 1-5/16) Z
9	351664	1	54 DEG 32" CP SHK (GRAY)
10	10210	2	BLT HEX, 3/4 IN NC X 4-1/2 IN (4.05 IN ) GR. 2
11	88356	1	NUT 2POSLK 3/4-10NC 5Z
12	88441	1	BLT-U 5/8-11NC X 2 X 3-1/4 Z
13	88548	2	WSHR FLAT 3/4SAE(13/16 X 1-1/2) Z
14	57948	2	CAST SPRING PLUG (GRAY)
15	350988	1	BLT HEX, 1 IN NC X 7.35 IN (1.5 IN ) GR. 5
16	56908	2	1/2" SPRING TENSION BUSHING
17	88621	2	NUT NLK 1/2-13NC 5Z
18	48836	2	CAST SPRING YOKE (GRAY)
	57961	2	13-15/16 EXTENSION SPRING (GRAY)
19	58032	2	BLT HEX, 1/2 IN NC X 2-1/2 IN HARDENED
20	88933	2	BLT HEX 5/8-11NC X 6 8YZ
21	89385	2	BLT HEX 3/4-16NF X 6-1/2 8YZ
22	240420	1	SHANK HOLDER FRAME BRKT (GRAY)
13	88141	2	NUT JAM 1-8NC 5Z

**SHANK - 1000 LB**

---

8477243-1



## SHANK - 1000LB

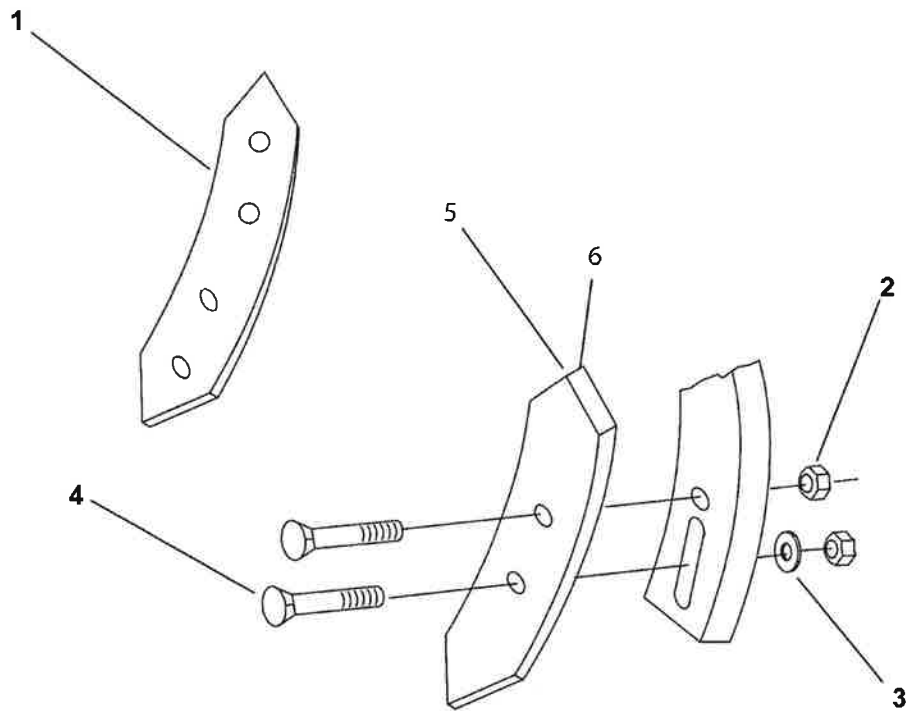
Item	Part Number	Qty	Description
1	64977	1	SHANK (GRAY)
2	67196	1	HOLDER - SHANK-CAST (GRAY)
3	351509	1	CHISEL PLOW SHANK HOLDER (GRAY)
4	239757	1	SPRING PLATE LEFT
5	239758	1	SPRING PLATE RIGHT
6	23378	2	COMPRESSION SPRING (GRAY)
7	65373C	1	SPRING RETAINER (GRAY)
8	235768	1	CAST CORNER CAP (GRAY)
9	351512	1	BLT HEX, 3/4NC X 8.13 IN (SPECIAL ) GR. 8
10	350988	1	BLT HEX, 1 IN NC X 7.35 IN (1.5 IN ) GR. 5
11	88945	2	BLT HEX 5/8-11NC X 4 GR 8YZ
12	88949	2	BLT HEX 5/8-11NC X 2-3/4 8YZ
13	88292	1	BLT HEX 5/8-11NC X 3-1/2 5Z
14	89433	2	BLT HEX 3/4-10NC X 2-1/4 8YZ
15	88131	2	WSHR FLAT 3/4(13/16 X 2ACT) Z
16	89154	2	BLT CRG5/8-11NC X 1-1/2SHTNCK 5Z
17	88196	2	WSHR FLAT 1(1-1/16 X 2-1/2ACT) Z
18	66226	2	1-8NC X 4 GR2 HVY HEX BLT W/NYLK
19	88356	1	NUT 2POSLK 3/4-10NC 5Z
20	88169	1	NUT 2POSLK 1-14NF 5Z
21	56932	1	9/16 X 1 SPACER
22	88129	1	WSHR HLK 5/8ID(11/16ACT) Z
23	88126	1	NUT HEX 5/8-11NC 5Z
24	64967	1	SPRING TENSION BUSHING
25	88130	2	WSHR HLK 3/4ID(13/16ACT) Z
26	64978	1	BUSHING
27	88630	1	WSHR FLT 5/8SAE(21/32 X 1-5/16) Z
28	89158	1	BLT HEX 1/4-20NC X 5 5Z
29	222037	2	1000 LB SPRING BRACKET (GRAY)
30	223527	1	SPRING PACKAGE-1000 LB (GRAY)
31	88110	2	NUT HEX 3/4-10NC 5Z



**SPIKES**

---

8477244-1

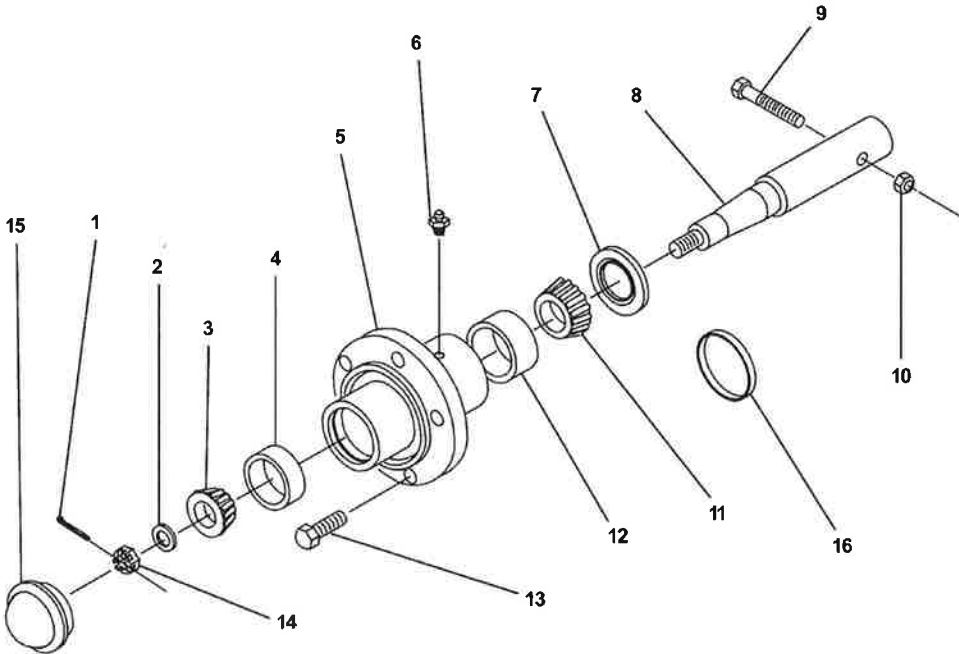


SPIKES

Item	Part Number	Qty	Description
1	222696	1	SPIKE 7/8X2X19.5 W/HDWE
2	88346	2	NUT HVY 1/2-13NC 5
3	88347	1	WSHR FLAT 1/2(9/16 X 1-3/8ACT) Z
4	89468	2	BLT PLW 1/2-13NC X 2-1/2NO3 8
5	240690	1	SPIKE LH 3IN CONCAVE TWIST W/HW
6	240691	1	SPIKE RH 3IN CONCAVE TWIST W/HW

HUB AND SPINDLE - 6 BOLT

8477237-1



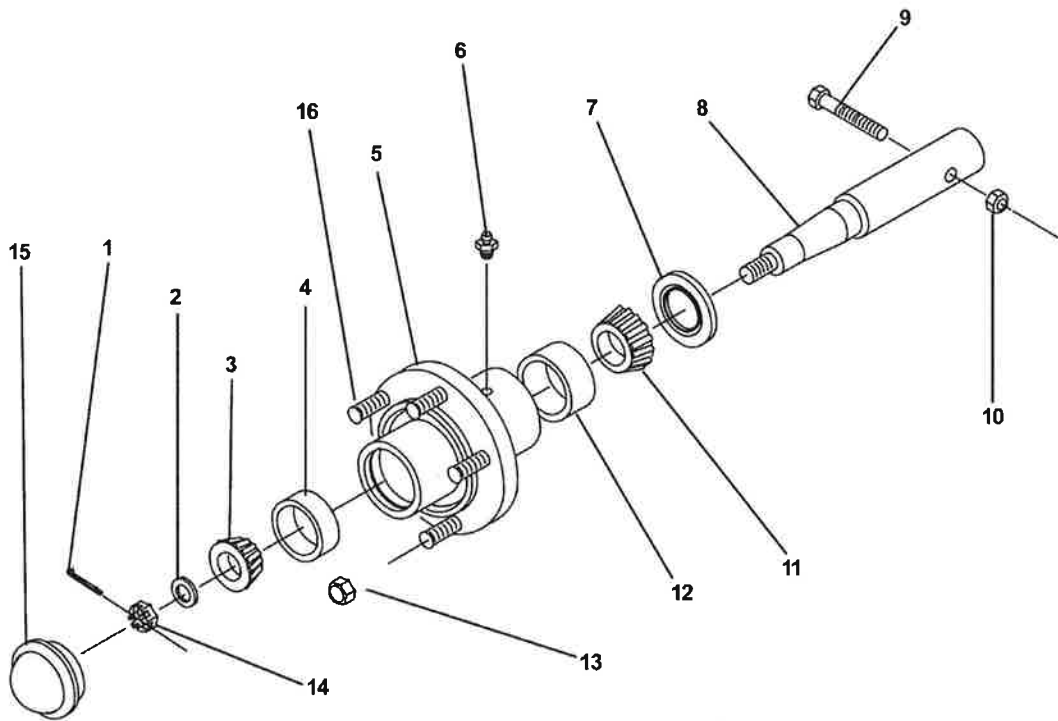
HUB AND SPINDLE - 6 BOLT

Item	Part Number	Qty	Description
	41234	X	1-3/4IN HUB&SPNDL (LG8100006) BLK
	14131	X	HUB & 2 IN SPINDLE ASSY
1	88301	1	PIN COT 3/16DIA X 1-1/2 Z
2	16094	1	SPINDLE WASHER 7/8ID
3	10345	1	BEARING CONE 1-1/4ID (LM67048)
4	10344	1	BEARING CUP 2.328 OD (LM67010)
5	24097	1	2" PRESSED HUB (L783327-6-31 P30)
	30405	1	1-3/4" 6BOLT HUB W/CUPS (L810305-6-31 P30)
6	88263	1	FTG GRS 1/8NPT 1610-BL(11/16) TAPERED
7	58546	1	2 IN TRIPLE LIP SEAL
	25585	1	TRIPLE LIP SEAL(1.62ID)
8	14251	1	2 IN AXLE SPINDLE (LS5622F-30)
	41232	1	1-3/4IN SPINDLE (LS7593F-04)
9	88429	1	BLT HEX 1/2-20NF X 3-1/4 5Z
	88313	1	BLT HEX 1/2-20NF X 3 5Z
10	88304	1	NUT 2POSLK 1/2-20NF 5Z
	88369	1	NUT 2POSLK 5/8-11NC 5Z
11	14248	1	1.625BORE BRG CONE(LM501349)
	11378	1	BEARING CONE 1-1/2ID (LM29749)
12	14249	1	CUP,BEARING (LM501310)
	11379	1	BEARING CUP 2.563OD (LM29710)
13	88142	6	BLT WHL 1/2-20NF X 1 (13/16 HEAD) Z
14	88340	1	NUT SLTD 7/8-14NF Z
15	11381	1	DUST CAP
16	25586	1	WEAR SLEEVE

**HUB AND SPINDLE - 8 BOLT**

---

8477239-1



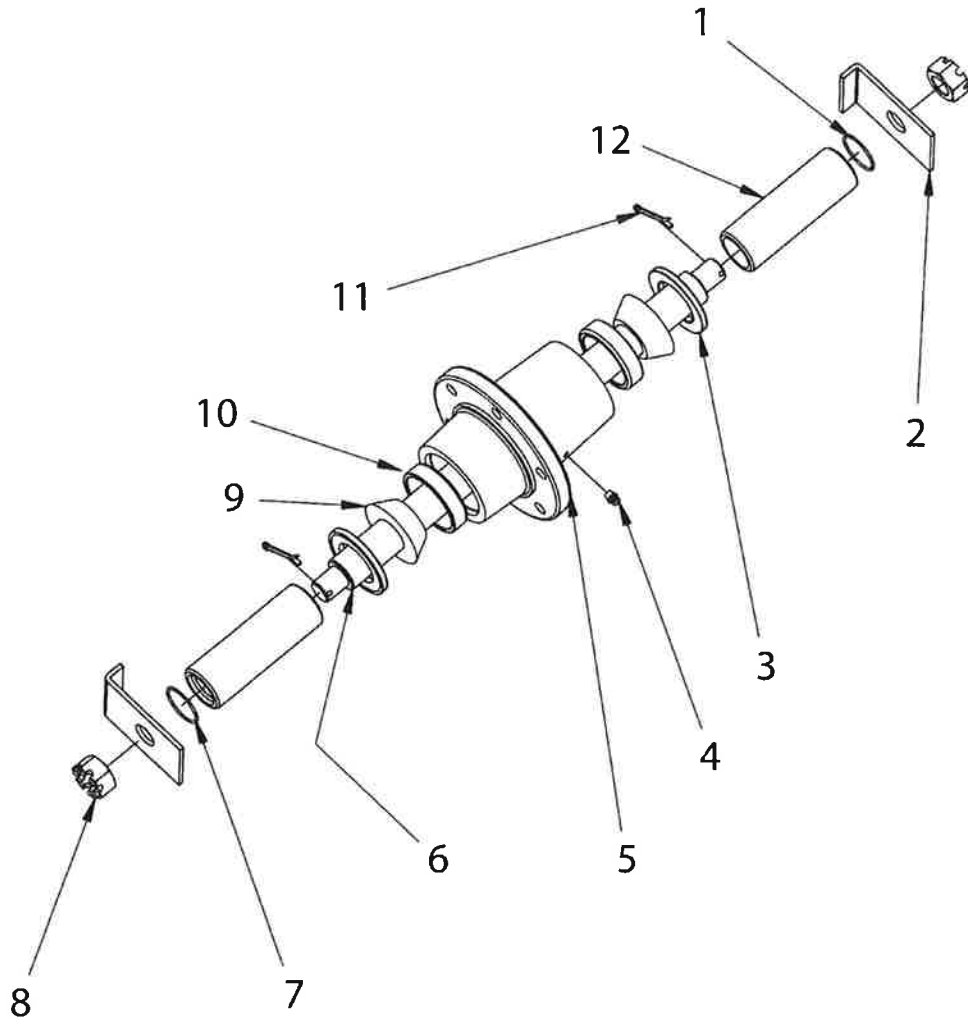
HUB AND SPINDLE - 8 BOLT

Item	Part Number	Qty	Description
	247987	X	2-1/2IN HUB&SPNDL STUDS BLK
1	88133	1	PIN COT 3/16DIA X 2 Z
2	64050	1	2-1/2OD X 1-1/16ID WSHR HARD
3	16081	1	BEARING CONE 1-5/16ID (2790)
4	16082	1	BEARING CUP 3OD (2720)
5	W1550	1	8 BOLT HUB
6	88143	1	FTG GRS 1/4 1743-B Z
7	235298	1	SEAL FOR 2-1/2 HUB (P41054)
8	16156	1	2-1/2 IN SPINDLE
9	88298	1	BLT HEX 5/8-11NC X 4 Z
10	88369	1	NUT 2POSLK 5/8-11NC 5Z
11	16083	1	BEARING CONE 2 IN ID (3780)
12	16084	1	BEARING CUP 3.672OD (3720)
13	W103636	8	9/16-18 UNF STUD NUT
14	88299	1	NUT SLTD 1-14NF 5Z
15	16077	1	DUST CAP
16	W104213	8	STUD BOLT 9/16X18NF X 2-1/8

**HUB AND SPINDLE - FLOATING HITCH**

---

8477267-1



HUB AND SPINDLE - FLOATING HITCH

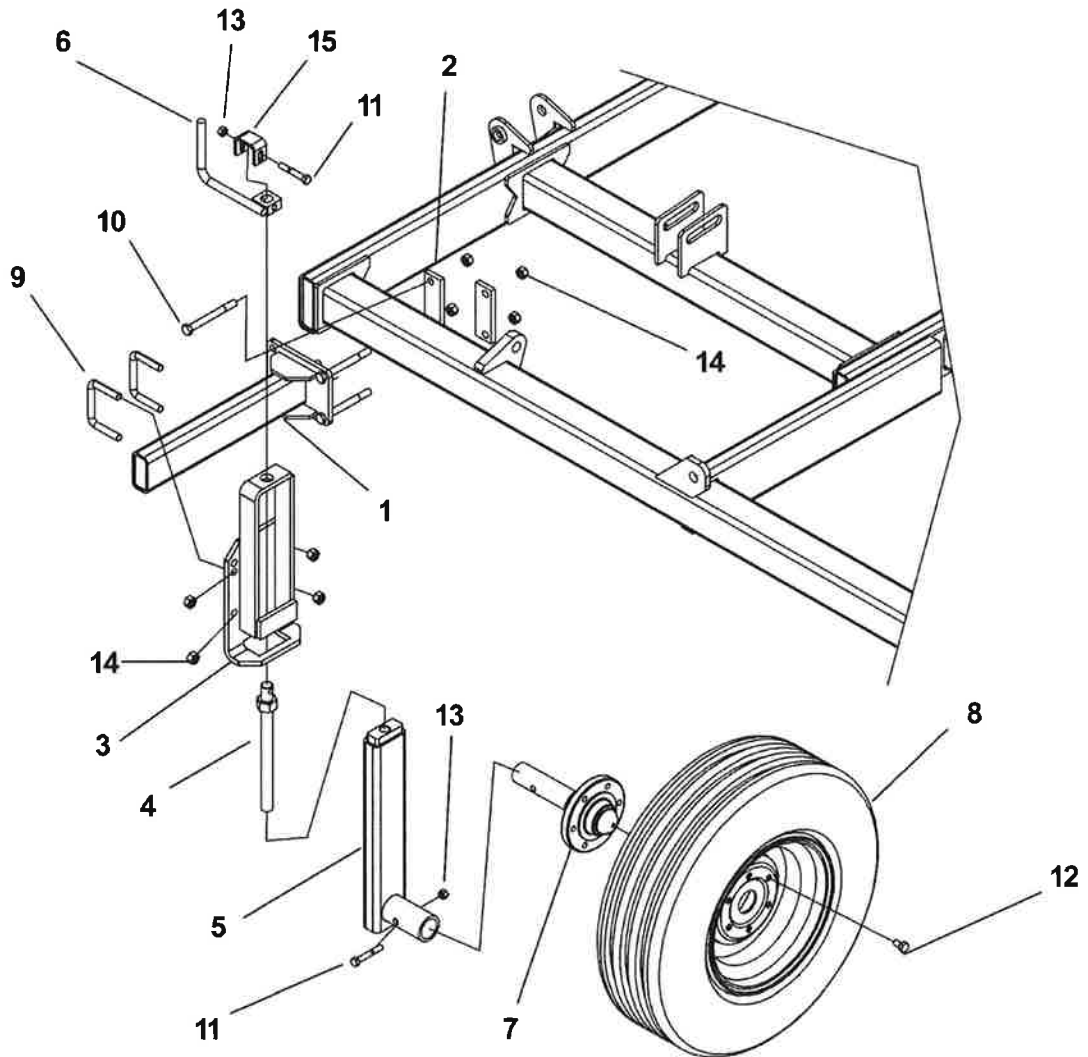
Item	Part Number	Qty	Description
1	12456	1	O-RING,SEAL 3/32X1-11/16
2	55150	2	SPINDLE LOCK
3	208981	2	2 IN INTERNAL TRIPLE LIP SEAL
4	88263	1	FTG GRS 1/8NPT 1610-BL(11/16) TAPERED
5	54729	1	6BLT PRSD HUB(4.62 6BC) (BLACK)
6	58204	1	1-1/2 X 22 IN SPINDLE
7	12456	1	O-RING,SEAL 3/32X1-11/16
8	88299	2	NUT SLTD 1-14NF 5Z
9	54731	2	BEARING CONE 1-1/2ID (2788)
10	16082	2	BEARING CUP 3OD (2720)
11	88133	2	PIN COT 3/16DIA X 2 Z
12	62400	2	2ODX6 SEALED SPINDLE TUBE (ZINC)



**GAUGE WHEEL - RIGID**

---

8477245-1



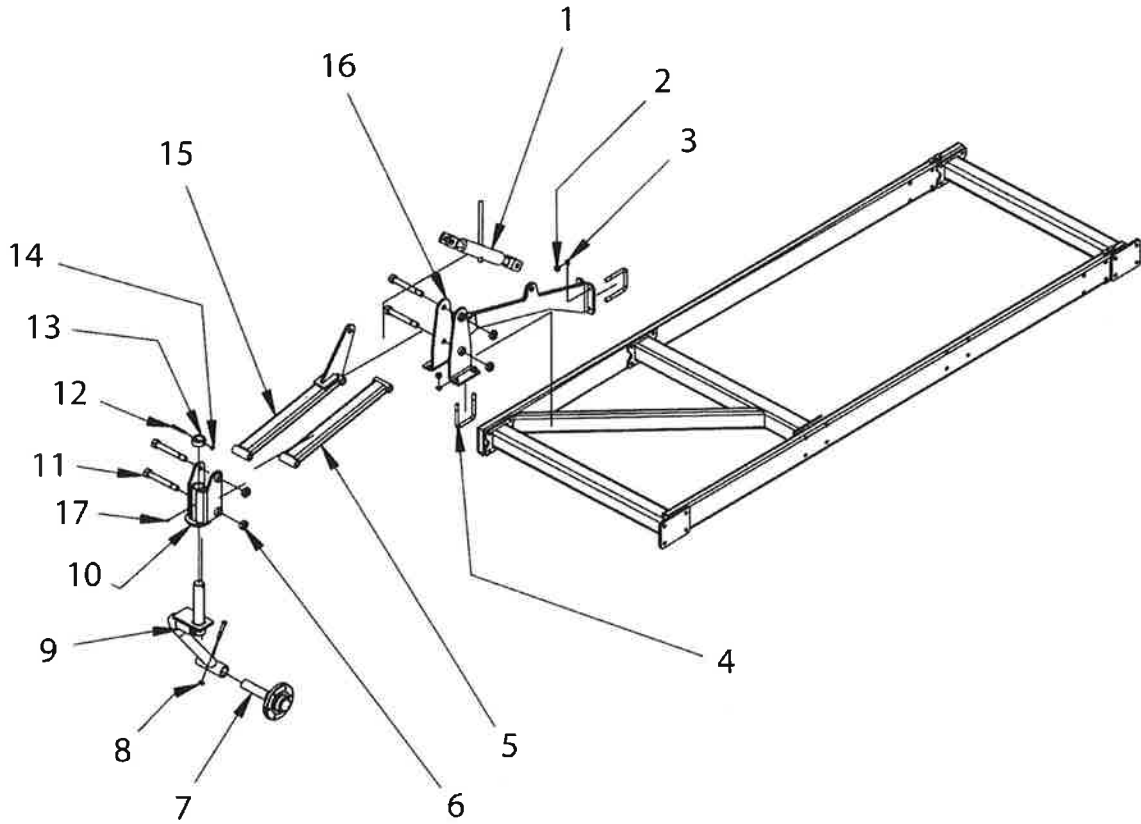
## GAUGE WHEEL - RIGID

Item	Part Number	Qty	Description
	233256	X	T/L GA WHL,STABILIZER W/TIRES (PR)
1	15321	1	GAUGE WHEEL MOUNT
2	15627	2	HINGE PLATE
3	233882	1	GAGE WHEEL MAST
4	233887	1	ADJUST ROD SUB ASSY-PLATED
5	233889	1	GAUGE WHEEL LEG
6	233886	1	GAUGE WHEEL CRANK
7	14131	1	HUB & 2 IN SPINDLE ASSY
8	16290	1	WHL ASSY 95LX15 6B 8 IN 8P GRAY
9	88388	2	BLT-U 5/8-11NC X 4 X 3-1/4 Z
10	88933	4	BLT HEX 5/8-11NC X 6 8YZ
11	88680	1	BLT HEX 1/2-13NC X 3-1/4 5Z
12	88142	6	BLT WHL 1/2-20NF X 1 (13/16 HEAD) Z
13	88363	1	NUT 2POSLK 1/2-13NC 5Z
14	88369	4	NUT 2POSLK 5/8-11NC 5Z
15	244399	1	GAGE WHEEL LOCK

**GAUGE WHEEL - CASTER**

---

8477256-1



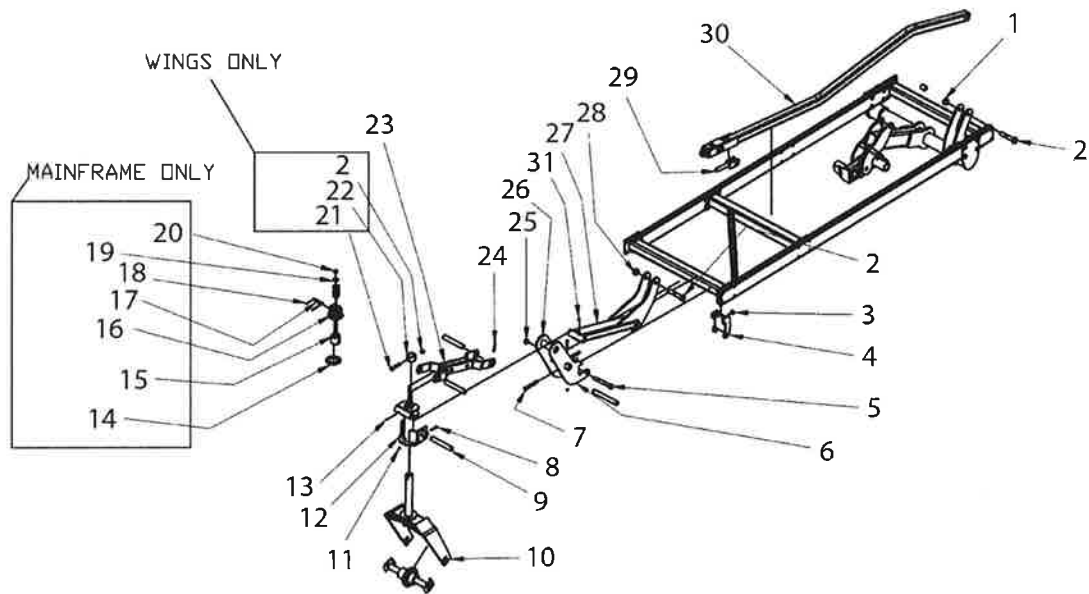
## GAUGE WHEEL - CASTER

Item	Part Number	Qty	Description
1	33104	1	JACK,RATCHET 20 IN -CLOSED 28 IN -EXT (W/PINS)
2	88123	3	NUT SLTD 1-8NC 5Z
3	88129	3	WSHR HLK 5/8ID(11/16ACT) Z
4	88145	2	BLT-U 5/8-11NC X 4 X 5-1/4 Z
5	233235	1	BOTTOM GAGE WHEEL ARM
6	88348	4	NUT 2POSLK 1-8NC 5Z
7	41234	1	1-3/4IN HUB&SPNDL (LG8100006) BLK
8	88304	1	NUT 2POSLK 1/2-20NF 5Z
9	240360	1	CASTER WHEEL LEG-RED
10	233230	2	GAGE PIVOT BRACKET
11	350988	4	BLT HEX, 1 IN NC X 7.35 IN (1.5 IN ) GR. 5
12	88531	1	BLT HEX 3/8-16NC X 3 5Z
13	14189	1	LINK ARM STOP COLLAR (RED)
14	88162	1	NUT 2POSLK 3/8-16NC 5
15	233227	1	TOP GAUGE WHEEL ARM
16	351795	1	PIVOT GAUGE WHEEL MOUNT
17	88550	1	FTG GRS 1/4-28 3038-B

**GAUGE WHEEL - FLOATING HITCH**

---

8477257-1



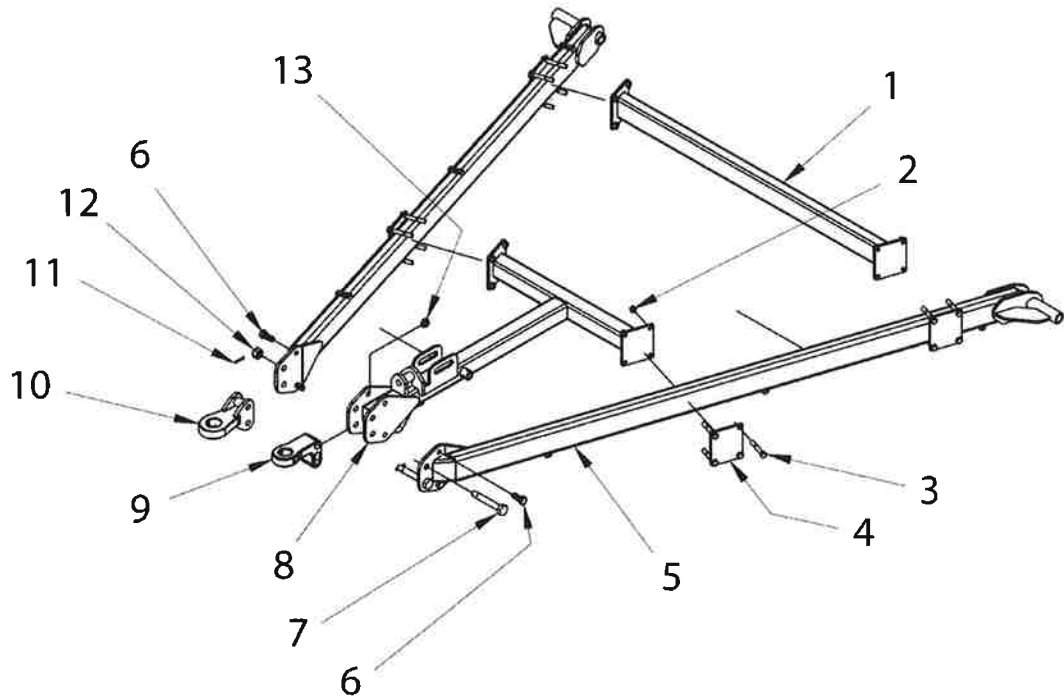
## GAUGE WHEEL - FLOATING HITCH

Item	Part Number	Qty	Description
1	88430	2	NUT 2POSLK 1-1/4-7NC 5Z
2	88349	2	BLT HEX 1-1/4-7NC X 6-1/2 5Z
3	88356	11	NUT 2POSLK 3/4-10NC 5Z
4	353493	1	CASTER WHEEL TUBE CLAMP
5	89359	1	BLT HEX 1-8NC X 8 8YZ
6	248417	1	FRONT LIFT MAST
7	88947	2	BLT HEX 3/4-10NC X 6 8YZ
8	88582	2	BLT HEX 3/8-16NC X 2-3/4 5Z
9	235801	1	PIVOT PIN (1-1/2 X 10) (LOWER REAR)
	54595	1	HEADLESS PIN(2) 1-1/2 X 9-19/32 (LOWER FRONT)
	350775	2	PIVOT PIN (TOP)
10	246786	1	CHISEL PLOW GAGE WHEEL YOKE
11	88659	2	NUT TOP LK 3/8-16NC 5Z
12	54571	1	GAGE WHEEL PIVOT
13	88550	1	FTG GRS 1/4-28 3038-B
14	233742	1	DAMPER BRAKE PAD
15	233746	1	DAMPER CAP
16	233748	1	TOP DAMPER BRACKET
17	233749	1	PIN (ZINC)
18	88628	2	PIN ROLL 1/4DIA X 1-3/4 Z
19	88131	1	WSHR FLAT 3/4(13/16 X 2ACT) Z
20	88611	1	NUT NLK 3/4-10NC 5Z
21	88272	1	BLT HEX 3/4-10NC X 4 5Z
22	16009	1	COLLAR
23	350527	1	TOP LINK ARM
24	88771	1	PIN ROLL 3/8DIA X 3 Z
25	88348	1	NUT 2POSLK 1-8NC 5Z
26	248417	1	FRONT LIFT MAST
27	350529	1	BOTTOM LIFT ARM
28	88430	2	NUT 2POSLK 1-1/4-7NC 5Z
29	236377	1	ADJUST LINK
30	351748	1	FRONT LIFT TUBE - WING FH 31/37 (SHOWN)
	350532	1	FRONT LIFT TUBE FH 31/37
31	88778	1	FTG GRS 1/4-28NF 45DEG 3053-B

**FRONT HITCH - 31 FOOT AND UP**

---

8477262-1



FRONT HITCH - 31FT AND UP

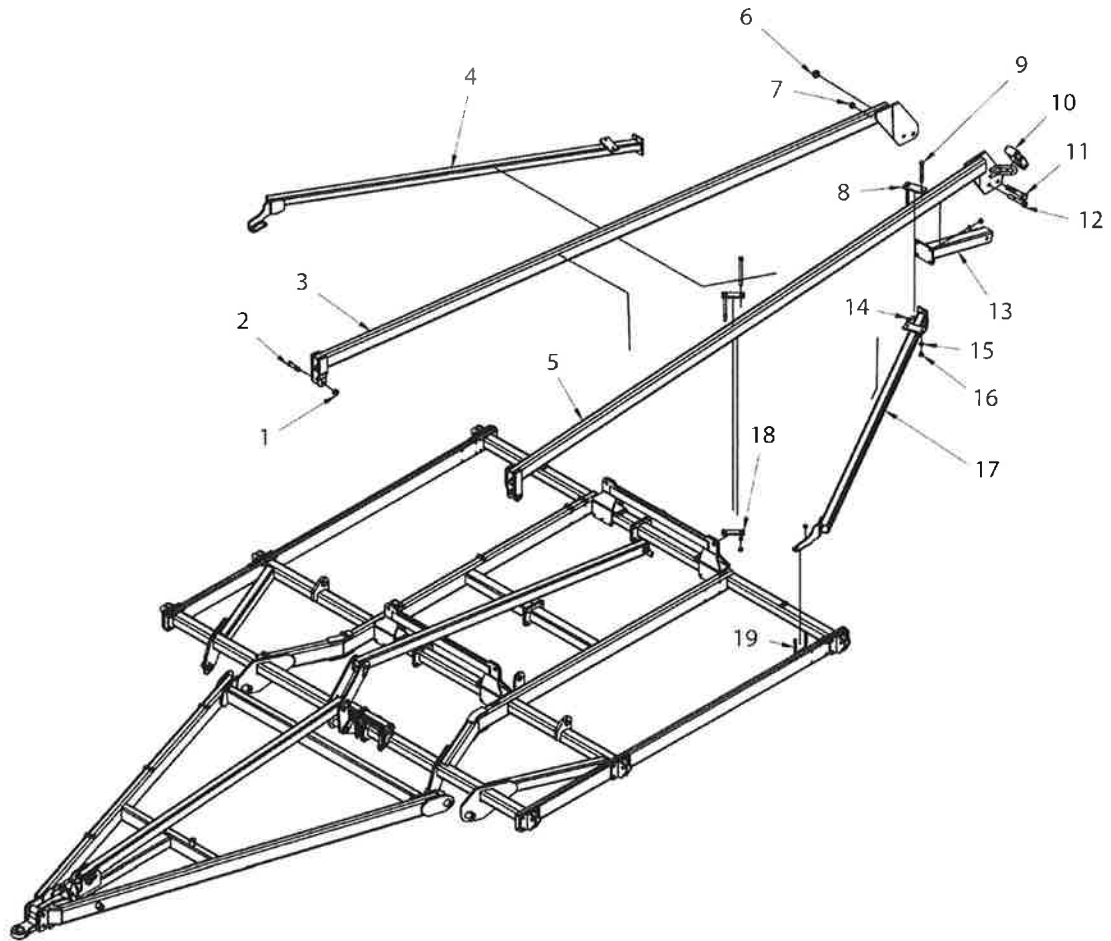
Item	Part Number	Qty	Description
1	354501	1	3 SEC REAR HITCH TUBE
2	88356	16	NUT 2POSLK 3/4-10NC 5Z
3	88305	16	BLT HEX 3/4-10NC X 5 5Z
4	233232	4	STUB PLATE PAINTED
5	353997	2	3 SEC POLE
6	88393	8	BLT HEX 1-8NC X 2-1/2 5Z
7	246372	2	BLT HEX, 1-1/4 IN NC X 8 IN (1.5 IN ) GR. 5
8	353999	1	3 SEC HITCH FRONT BRACE
9	18236	1	CAST DUAL HITCH
10	246795	1	CATEGORY 5 CAT HITCH
11	88133	2	PIN COT 3/16DIA X 2 Z
12	88350	2	NUT SLTD 1-1/4-7NC 5Z
13	88348	4	NUT 2POSLK 1-8NC 5Z



# REAR HITCH

---

8477270-1



REAR HITCH

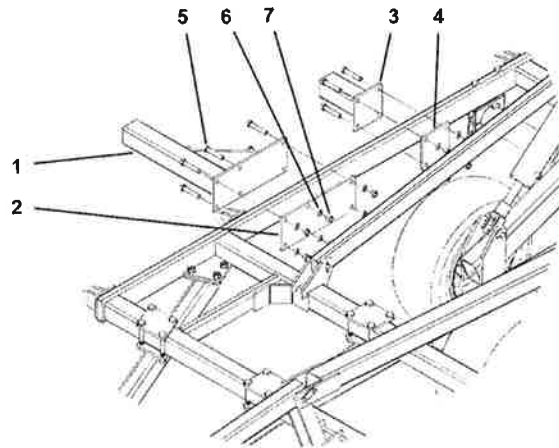
Item	Part Number	Qty	Description
1	88658	3	NUT TOP LK 1-8NC 5Z
2	88580	2	BLT HEX 1-8NC X 4-1/2 5Z
3	353494	1	CP RIGHT INNER HITCH TUBE
4	233400	1	CP RIGHT OUTER HITCH BRACE
5	353495	1	CP LEFT INNER HITCH TUBE
6	88430	1	NUT 2POSLK 1-1/4-7NC 5Z
7	88658	3	NUT 2POSLK 1-1/4-7NC 5Z
8	353902	1	PAINTED TIE PLATE
9	88335	2	BLT HEX 3/4-10NC X 7 5Z
10	18237	1	CAST HITCH
11	89134	1	BLT HEX 1-1/4-7NC X 7 5Z
12	88666	1	BLT HEX 1-8NC X 6-1/2 5Z
13	353498	1	HITCH DOWN TUBE
14	88290	1	BLT HEX 3/4-10NC X 2 8YZ
15	88130	6	WSHR HLK 3/4ID(13/16ACT) Z
16	88110	6	NUT HEX 3/4-10NC 5Z
17	233401	1	CP LEFT OUTER HITCH BRACE
18	353496	2	PLATE (PAINTED)
19	88145	1	BLT-U 5/8-11NC X 4 X 5-1/4 Z

**STUB ATTACHMENTS**

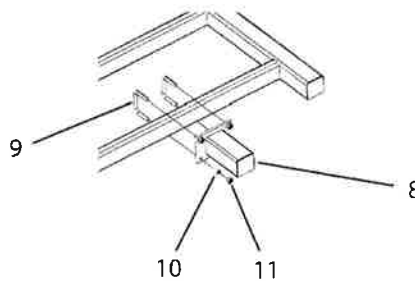
---

8477242-1

**1' & 2' STUB ATTACHEMENTS - FITS 2X5 & 2X6 FRAME TUBES**



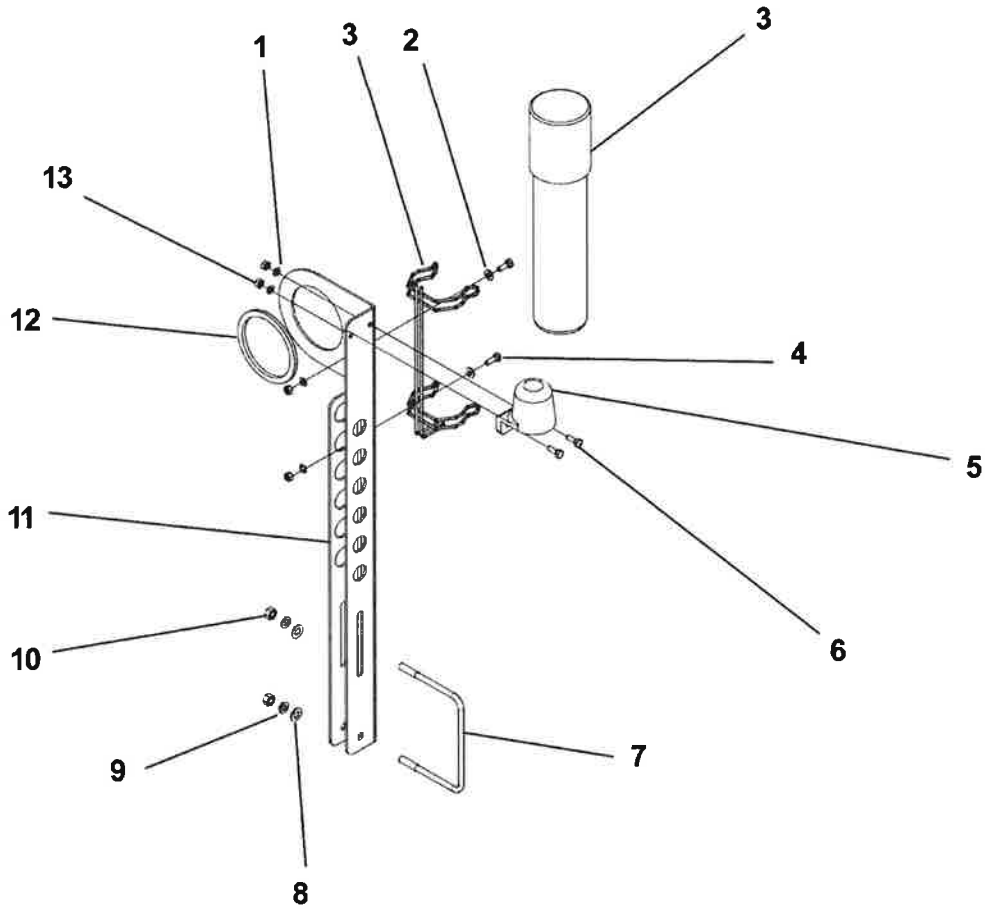
**1' STUB ATTACHMENT - FITS 2x4 FRAME TUBES**



STUB ATTACHMENTS --1' & 2'

Item	Part Number	Qty	Description
1	233263	1	2FT CHISEL PLOW STUB (2X5/6)
2	233264	1	STUB PLATE
3	222193	1	CP SHANK STUB
4	233232	1	STUB PLATE PAINTED
5	88272	10	BLT HEX 3/4-10NC X 4 5Z
6	88130	10	WSHR HLK 3/4ID(13/16ACT) Z
7	88110	10	NUT HEX 3/4-10NC 5Z
8	13963	1	STUB,1FT MAIN FRAME
9	88388	2	BLT-U 5/8-11NC X 4 X 3-1/4 Z
10	88129	4	WSHR HLK 5/8ID(11/16ACT) Z
11	88126	4	NUT HEX 5/8-11NC 5Z

8477246-1



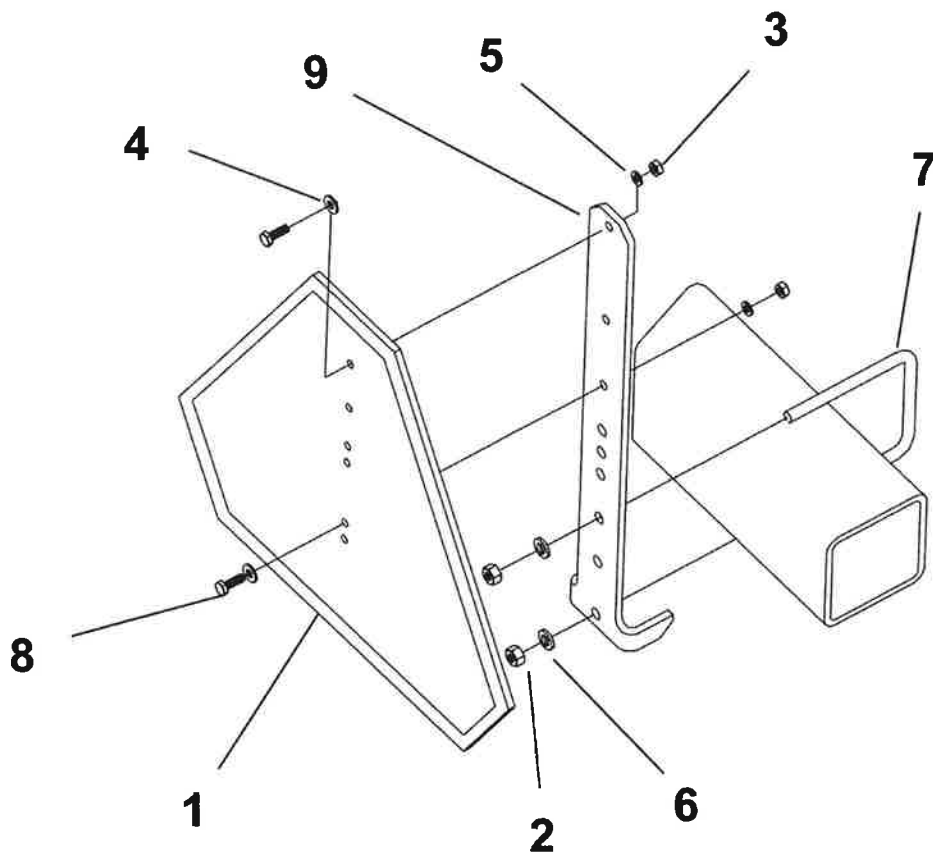
UTILITY POLE

Item	Part Number	Qty	Description
1	88262	4	WSHR HLK 1/4ID(5/16ACT) Z
2	88261	2	WSHR FLAT 1/4(5/16 X 3/4ACT) Z
3	234313	1	STORAGE TUBE-OWNERS MANUAL (INCL. BRKT)
4	88993	2	BLT HEX 1/4-20NC X 3/4 5Z
5	223329	1	PLUG HOLDER
6	88203	2	BLT HEX 1/4-20NC X 1 5Z
7	89279	1	BLT-U 3/8-16NC X 7 X 6-1/4 Z
8	88282	2	BLT HEX 1/4-20NC X 3 5Z
9	88362	2	WSHR HLK 3/8ID Z
10	88103	2	NUT HEX 3/8-16NC 5Z
11	236142	1	FORMED CHANNEL-HYD HOSE BRKT
12	98231	1	WEATHER STRIPING
13	88172	4	NUT HEX 1/4-20NC 5Z

**SMV EMBLEM AND MOUNTING**

---

8477247-1



SMV EMBLEM AND MOUNTING

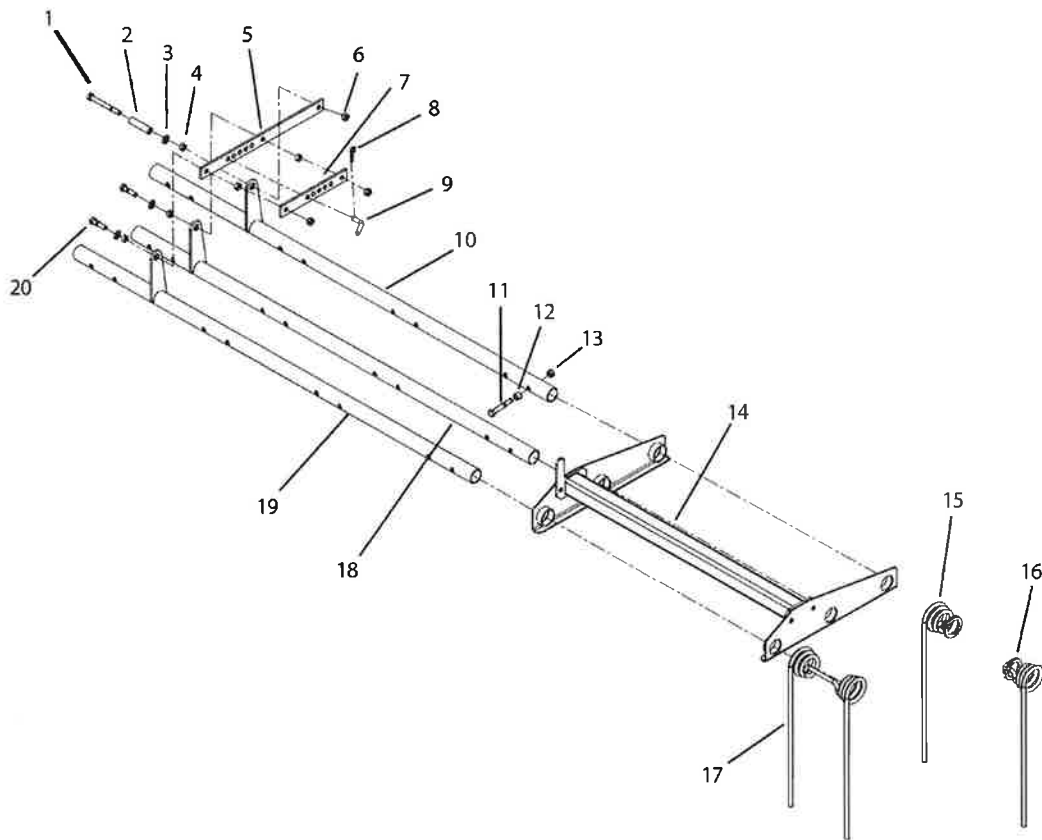
Item	Part Number	Qty	Description
1	30651	1	SMV EMBLEM S276.6
2	88103	2	NUT HEX 3/8-16NC 5Z
3	88172	2	NUT HEX 1/4-20NC 5Z
4	88261	2	WSHR FLAT 1/4(5/16 X 3/4ACT) Z
5	88262	2	WSHR HLK 1/4ID(5/16ACT) Z
6	88362	2	WSHR HLK 3/8ID Z
7	88385	1	BLT-U 3/8-16NC X 4 X 5 Z
8	88993	2	BLT HEX 1/4-20NC X 3/4 5Z
9	350933	1	SMV BRACKET



**HARROW SECTION**

---

8477249-1

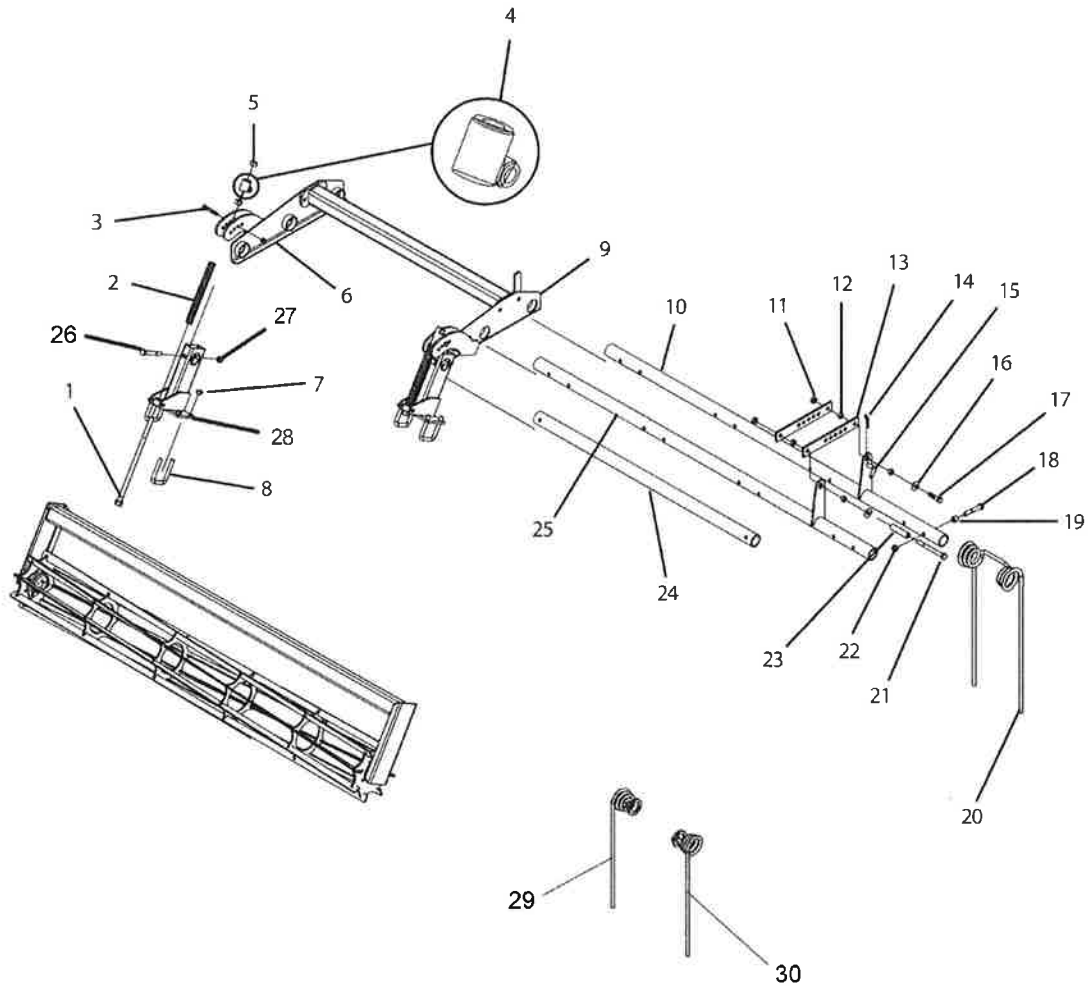


HARROW SECTION ASSEMBLY

Item	Part Number	Qty	Description
1	88295	3	BLT HEX 5/8-11NC X 6 5Z
2	22521	1	1OD SPACER TUBE (ZINC)
3	88277	3	WSHR FLAT 5/8(11/16 X 1-3/4ACT) Z
4	222562	5	BUSHING 1 OD X .44 LG (ZINC)
5	222570	1	ADJUST BAR
6	88627	3	NUT NLK 5/8-11NC 5Z
7	222575	1	INNER ADJUST BAR
8	23039	1	PIN-HAIR .14 X 2.69 ZP
9	32871	1	BENT HITCH PIN 5/8X1-3/8
10	222574	1	REAR 8 FT HARROW TUBE (SHOWN)
	222569	1	REAR 6 FT HARROW TUBE
	236027	1	REAR 4FT HARROW TUBE
11	88298	24	BLT HEX 5/8-11NC X 4 5Z
12	200479	24	BUSHING
13	88845	24	NUT TOP LK 5/8-11NC 5Z
14	236195	1	HARROW MOUNT- 8 FT SECTION 49.7 IN (SHOWN)
	236198	1	HARROW MOUNT- 6 FT SECTION 25.7 IN
	236028	1	HARROW MOUNT-4FT SECTION 18.3 IN
15	236021	1	RIGHT SINGLE HARROW TOOTH (26IN)
16	236020	1	LEFT SINGLE HARROW TOOTH (26IN)
17	236087	1	SHORT HD HARROW TINE
18	222573	1	CENTER 8 FT HARROW TUBE 84.7 IN (SHOWN)
	222568	1	CENTER 6 FT HARROW TUBE 60.7 IN
	236026	1	MIDDLE 4FT HARROW TUBE
19	222572	1	FRONT 8 FT HARROW TUBE (SHOWN)
	222567	1	FRONT 6 FT HARROW BAR
	236024	1	FRONT 4FT HARROW TUBE
20	88409	2	BLT HEX 5/8-11NC X 2-1/2 5Z

# HARROW AND BASKET SECTION - TUBES AND MOUNTING

8477232-01-01



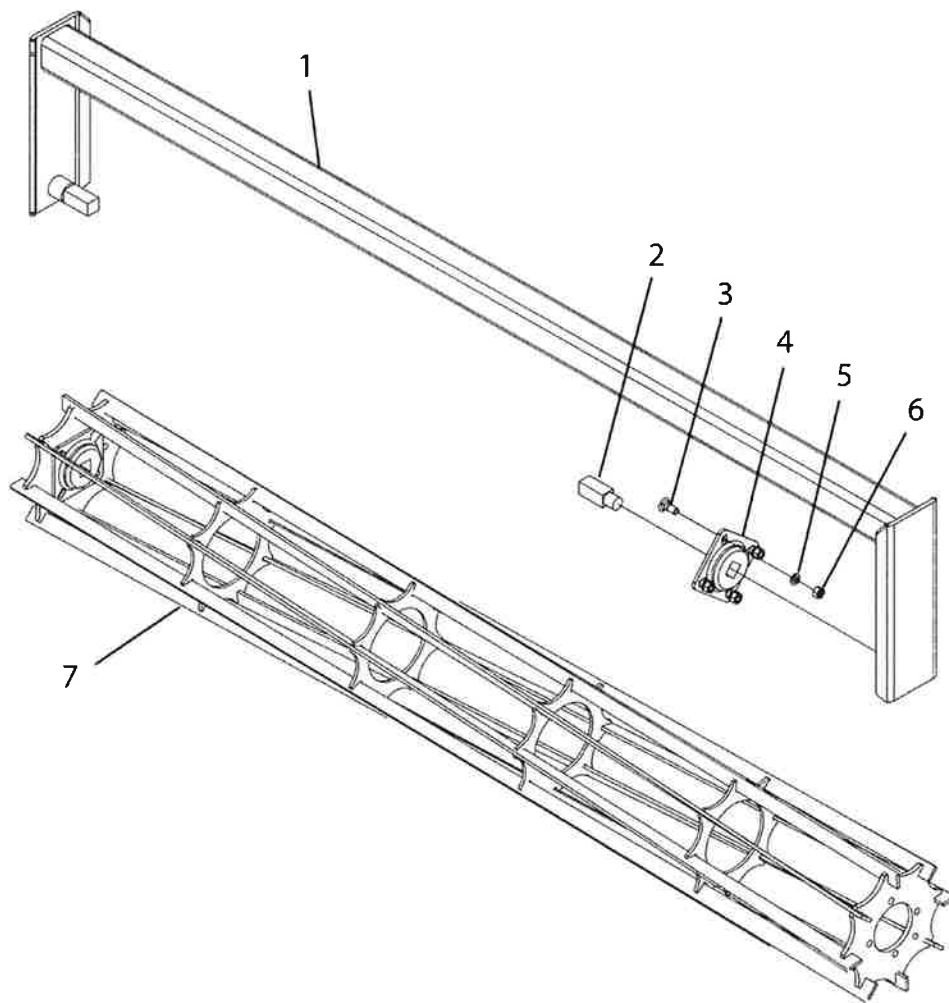
HARROW AND BASKET SECTION - TUBES AND MOUNTING

Item	Part Number	Qty	Description
1	67076	1	3/4-10NCX16.5 SPECIAL BOLT
2	68581	1	COMPRESSION SPRING
3	88541	4	BLT HEX 1/2-13NC X 3 5Z
4	221981	1	MOUNT CASTING (ZINC)
5	88110	2	NUT HEX 3/4-10NC 5Z
6	88363	4	NUT 2POSLK 1/2-13NC 5Z
7	88627	2	WSHR HLK 7/16ID(1/2ACT) Z
8	89327	1	BLT-U 5/8-11NC X 3 X 4-1/2 Z
9	245393	1	HARROW BASKET MNT 8FT SECTION (SHOWN)
	245392	1	HARROW BASKET MNT 6FT SECTION
	245391	1	HARROW BASKET MNT 4FT SECTION
10	244289	1	FRONT 8FT HARROW BAR (SHOWN)
	244287	1	FRONT 6FT HARROW BAR
	244285	1	FRONT 4FT HARROW BAR
11	88627	2	NUT NLK 5/8-11NC 5Z
12	200479	2	BUSHING
13	222575	2	INNER ADJUST BAR
14	23039	2	PIN-HAIR .14 X 2.69 ZP
15	32871	2	BENT HITCH PIN 5/8X1-3/8
16	88277	2	WSHR FLAT 5/8(11/16 X 1-3/4ACT) Z
17	88409	1	BLT HEX 5/8-11NC X 2-1/2 5Z
18	88298	4	BLT HEX 5/8-11NC X 4 5Z
19	200479	4	BUSHING
20	236087	1	SHORT HD HARROW TINE
21	88837	1	BLT HEX 5/8-11NC X 6-1/2 5Z
22	88845	4	NUT TOP LK 5/8-11NC 5Z
23	22521	1	1OD SPACER TUBE (ZINC)
24	244295	1	8FT HARROW BASKET TUBE (SHOWN)
	244294	1	6FT HARROW BASKET TUBE
	243629	1	4FT HARROW BASKET TUBE
25	244290	1	REAR 8FT HARROW BAR (SHOWN)
	244288	1	REAR 6FT HARROW BAR
	244286	1	REAR 4FT HARROW BAR
26	88395	2	BLT HEX 5/8-11NC X 5 5Z
27	88845	2	NUT TOP LK 5/8-11NC 5Z
28	243631	2	HANGER WELD
29	236021	1	RIGHT SINGLE HARROW TOOTH (26IN)
30	236020	1	LEFT SINGLE HARROW TOOTH (26IN)

**HARROW BASKET - ROLLING BASKET**

---

8477233-01-01

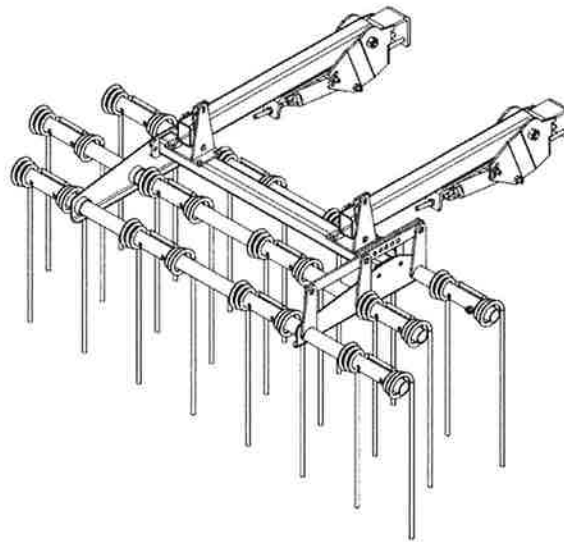
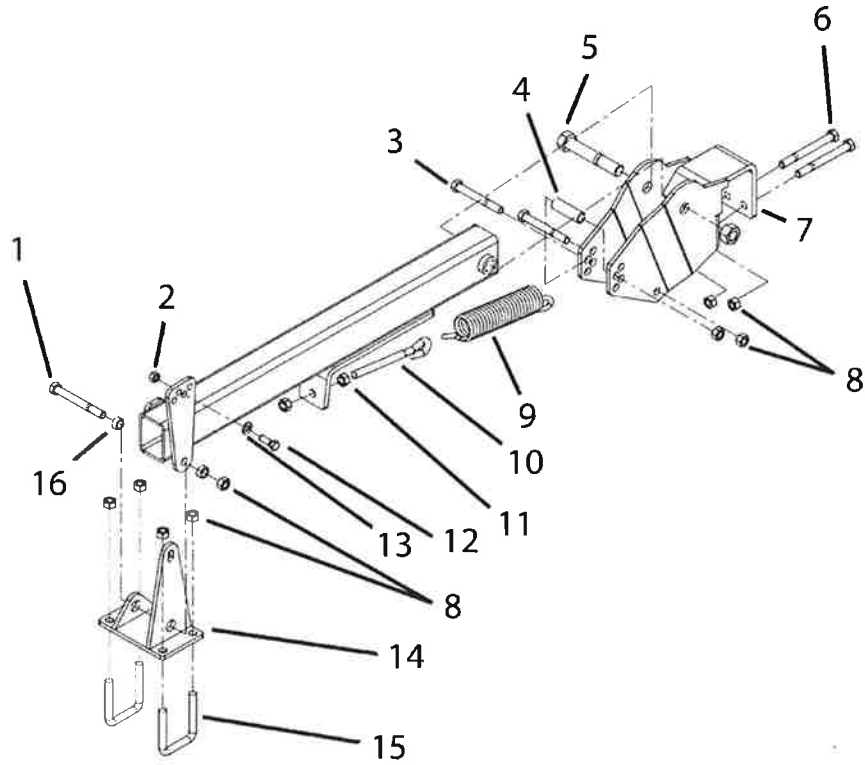


HARROW BASKET- ROLLING BASKET

Item	Part Number	Qty	Description
1	245334	1	7-1/2 FT BASKET MOUNT
	245333	1	6 FT BASKET MOUNT
	245332	1	4-1/2 FT BASKET MOUNT
2	244410	1	BASKET BOLT
3	88417	8	BLT CRG 1/2-13NC X 1-1/4 5Z
4	244415	2	FLANGED BEARING (PEER FD209-1-1/8)
5	88303	8	WSHR HLK 1/2ID(9/16ACT) Z
6	88104	8	NUT HEX 1/2-13NC 5Z
7	244299	1	7-1/2FT FB BASKET
	244298	1	6FT FB BASKET
	244297	1	4-1/2FT FB BASKET

# HARROW ARM - PIVOT BRACKET

8477248-1



HARROW ARM - PIVOT BRACKET

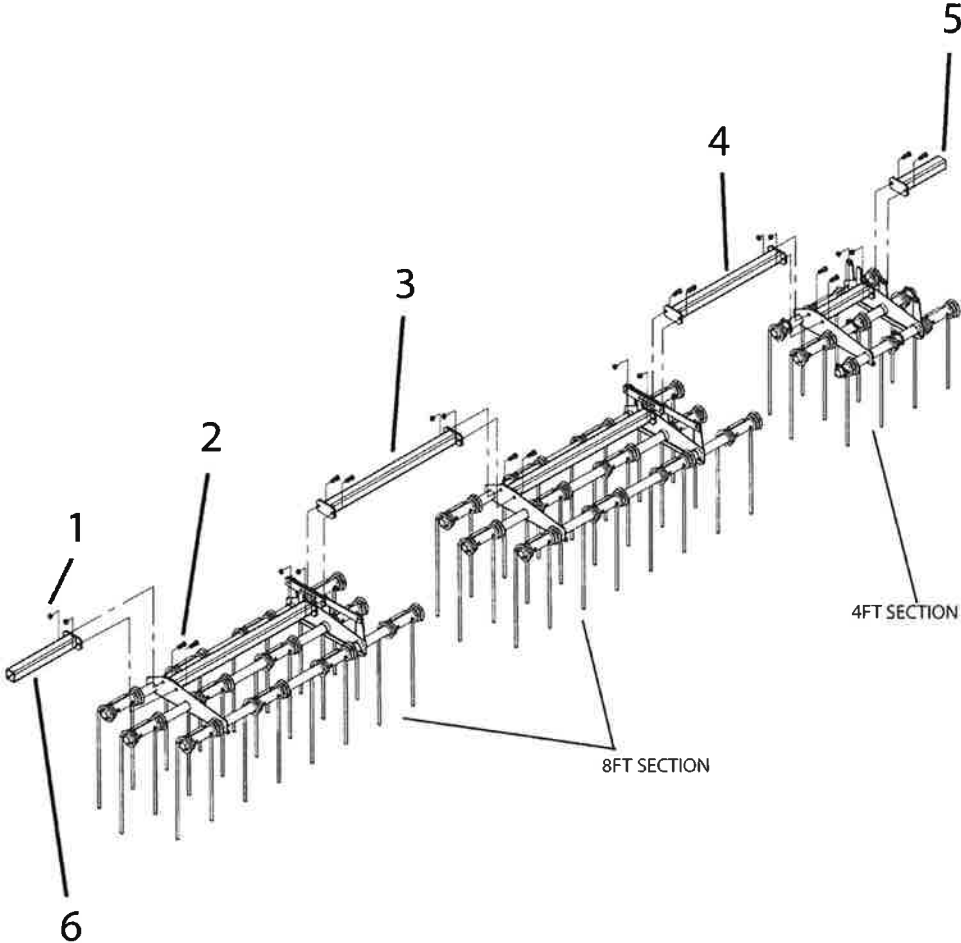
Item	Part Number	Qty	Description
1	88633	1	BLT HEX 5/8-11NC X 5-1/2 5Z
2	88363	1	NUT 2POSLK 1/2-13NC 5Z
3	88395	2	BLT HEX 5/8-11NC X 5 5Z
4	236185	1	ROUND TUBE - SPACER HARROW
5	88264	1	BLT HEX 1-8NC X 6 5Z
6	88265	2	WSHR HLK 7/16ID(1/2ACT) Z
7	235253	1	CP HARROW MOUNT BRACKET
8	88627	10	NUT NLK 5/8-11NC 5Z
9	23122	1	SPRING, EXT 3/8 X 2-3/8OD X 12 IN
10	23123	1	EYE BOLT 5/8
11	88126	2	NUT HEX 5/8-11NC 5Z
12	88475	1	BLT HEX 1/2-13NC X 1-1/2 5Z
13	88347	1	WSHR FLAT 1/2(9/16 X 1-3/8ACT) Z
14	238361	1	PIVOT BRACKET WELD - REAR HARROW
15	89327	2	BLT-U 5/8-11NC X 3 X 4-1/2 Z
16	222562	2	BUSHING 1 OD X .44 LG (ZINC)



**INTERMEDIATE TUBE**

---

8477250-1



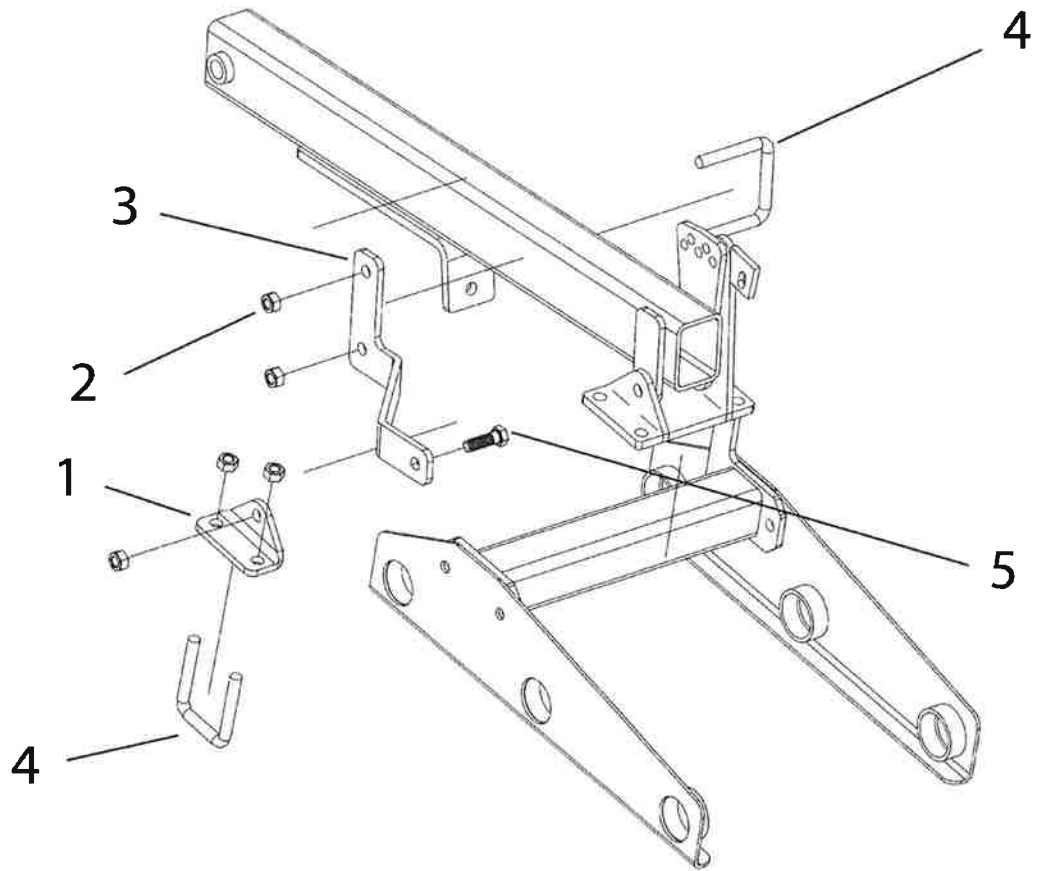
INTERMEDIATE TUBE

Item	Part Number	Qty	Description
1	88627	12	NUT NLK 5/8-11NC 5Z
2	88294	12	BLT HEX 5/8-11NC X 2 5Z
3	236189	1	SPANNER, HARROW 46.13 IN 5 SHK 30 IN
4	236040	1	SPANNER 38" HARROW TUBE
5	236038	1	STUB
6	236042	1	LONG HARROW STUB

**SINGLE HARROW ARM SUPPORT**

---

8477251-1



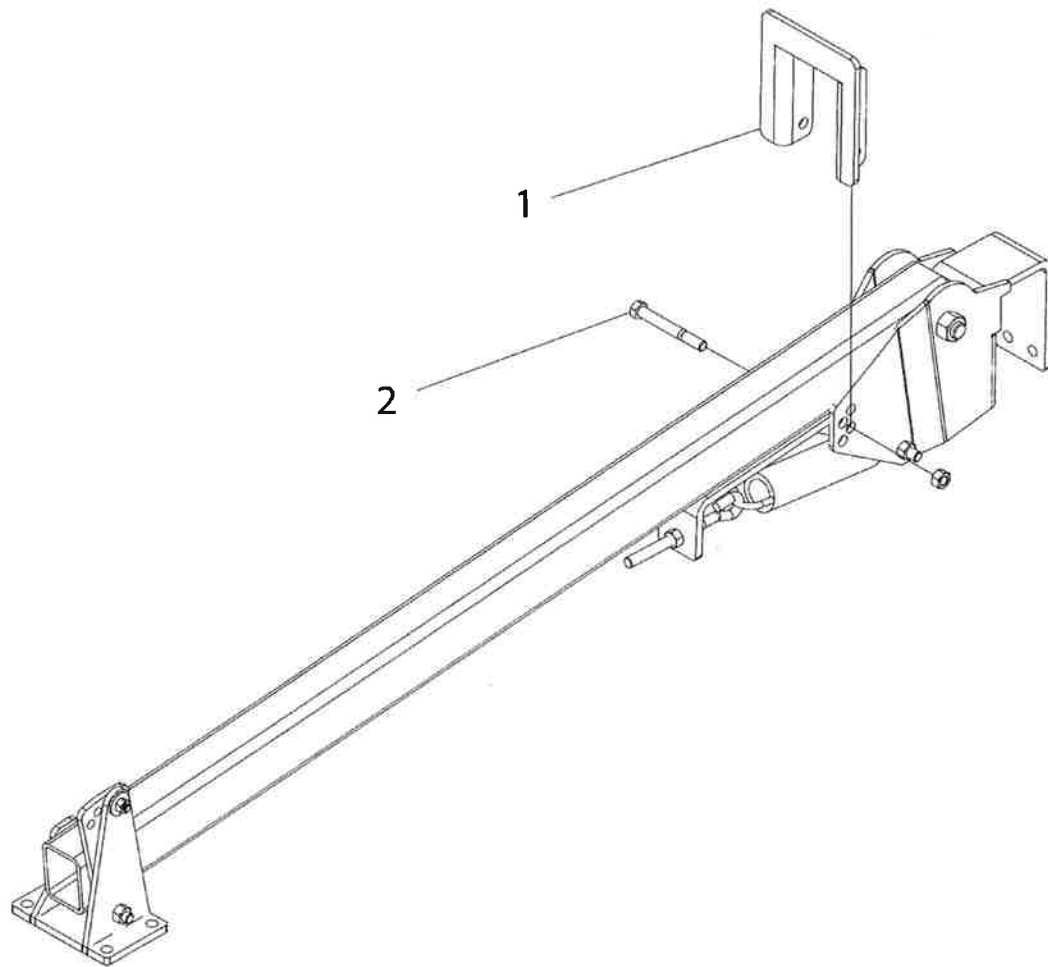
SINGLE HARROW ARM SUPPORT

Item	Part Number	Qty	Description
1	238377	1	FORMED MNT
2	88627	5	NUT NLK 5/8-11NC 5Z
3	238375	1	FORMED PLATE (LH)
	238376	1	FORMED PLATE (RH)
4	88501	1	BLT-U 5/8-11NC X 4 X 4-1/4 Z
5	88294	1	BLT HEX 5/8-11NC X 2 5Z

**HARROW STOP ARM**

---

8477252-1



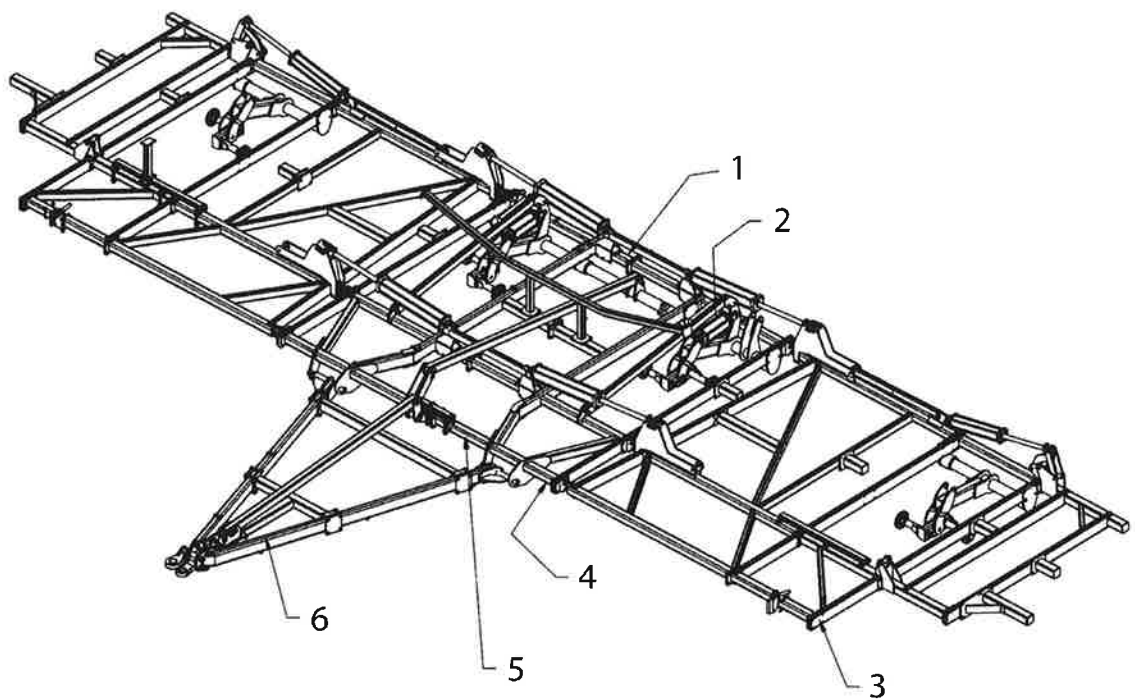
HARROW STOP ARM

Item	Part Number	Qty	Description
1	88633	1	BLT HEX 5/8-11NC X 5-1/2 5Z
2	240361	1	HARROW STOP

## DECAL PLACEMENT

---

8477271-1



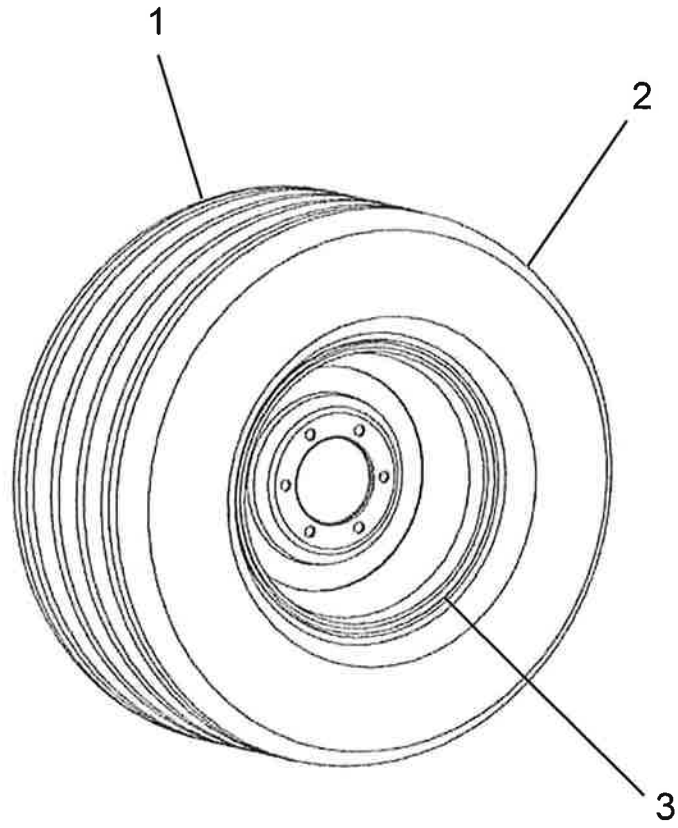
DECAL PLACEMENT

Item	Part Number	Qty	Description
1	22371	2	RED REFLECTOR
2	997864	4	DECAL LOCKOUT WARNING
3	22372	10	AMBER REFLECTOR
4	997854	8	DECAL FOLDING WINGS DANGER
5	997263	1	DECAL TILLAGE PROMOTES
	997860	1	DECAL READ MANUAL WARNING
	997862	1	DECAL HIGH VOLTAGE DANGER
	997868	1	DECAL SPEED SIGN 25 MILE/HR
6	9971163	1	DECAL SAFETY SET
	64404	X	WIL-RICH DECAL 3 X 19-7/8 (NOT SHOWN)
	353992	X	2510 DECAL (NOT SHOWN)
	353470	X	DECAL PACKAGE 2530 CP WIL-RICH (NOT SHOWN)



# RIM ASSEMBLIES, RIMS, AND TIRES

---



## RIM ASSEMBLIES, RIMS, AND TIRES

Item	Part Number	Qty	Description
1	236612	X	TIRE-MNTD 12R22.5X8.25 8BOLT (USED)
	353366	X	VF295/75R22.5 8BOLT TIRE ASSY (NEW)
	16290	X	WHL ASSY 9.5LX15 6B 8 IN 8P GRAY
	351484	X	WHL ASSY 13.50-15FI 6B 10IN HWY
2	248254	X	12R22.5 TIRE (USED)
	353362	X	VF295/75R22.5 TIRE (NEW)
	16287	X	TIRE 9.5LX15 8PLY
	246253	X	TIRE 13.50-15 FI F HWY IMP
3	350268	X	8 BOLT RIM 12R22.5X8.25 SILVER MIST
	10498	X	RIM 15X8 6BOLT
	46714	X	RIM 15X10 6BOLT